



US00D422017S

United States Patent [19] Harden

[11] **Patent Number: Des. 422,017**
[45] **Date of Patent: ** Mar. 28, 2000**

[54] **STAMPER**

[75] Inventor: **Dan Harden**, Palo Alto, Calif.

[73] Assignee: **Shachihata Inc.**, Japan

[**] Term: **14 Years**

[21] Appl. No.: **29/094,273**

[22] Filed: **Sep. 29, 1998**

[51] **LOC (6) Cl.** **19-02**

[52] **U.S. Cl.** **D18/15**

[58] **Field of Search** D18/18, 14, 15,
D18/99; D19/65; 401/199; 101/327, 333,
371, 372, 405, 406

[56] **References Cited**

U.S. PATENT DOCUMENTS

D. 280,644	9/1985	Ichikawa	D19/15
D. 321,028	10/1991	Funabashi	D18/15
D. 378,597	3/1997	Harden	D18/14
D. 378,828	4/1997	Harden	D18/15
D. 379,367	5/1997	Harden	D18/15
D. 379,368	5/1997	Harden	D18/15
D. 399,245	10/1998	Harden	D18/15
4,924,773	5/1990	Gwilliam	101/327

FOREIGN PATENT DOCUMENTS

80799 1/1997 Canada .

OTHER PUBLICATIONS

Miller's Office Supply Caotlog, p. 906, items A, B and D, Dec. 1997.

Primary Examiner—Louis S. Zarfes

Assistant Examiner—Gregory Andoll

Attorney, Agent, or Firm—Evenson, McKeown, Edwards & Lenahan, P.L.L.C.

[57] **CLAIM**

The ornamental design for a stamper, as shown and described.

DESCRIPTION

FIG. 1 is a front elevational view of the stamper, showing my new design;

FIG. 2 is a exploded perspective view thereof;

FIG. 3 is a perspective view of the top portion thereof, as viewed from the top;

FIG. 4 is another perspective view of the top portion thereof, as viewed from the bottom;

FIG. 5 is a front elevational view of the top portion thereof;

FIG. 6 is a right side elevational view thereof, the left side elevational view being a mirror image;

FIG. 7 is a top view of the top portion thereof;

FIG. 8 is a bottom view of the top portion thereof;

FIG. 9 is a rear elevational view of the top portion thereof;

FIG. 10 is a top plan view of the cap portion thereof; and,

FIG. 11 is a bottom plan view of the cap portion thereof.

1 Claim, 4 Drawing Sheets

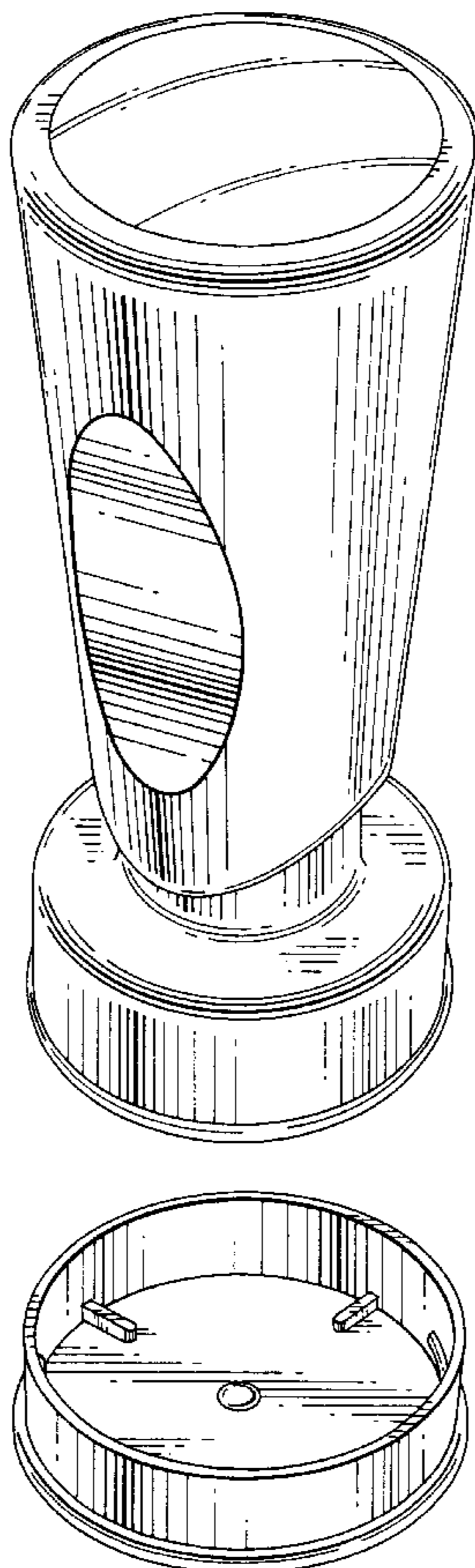


FIG. 1

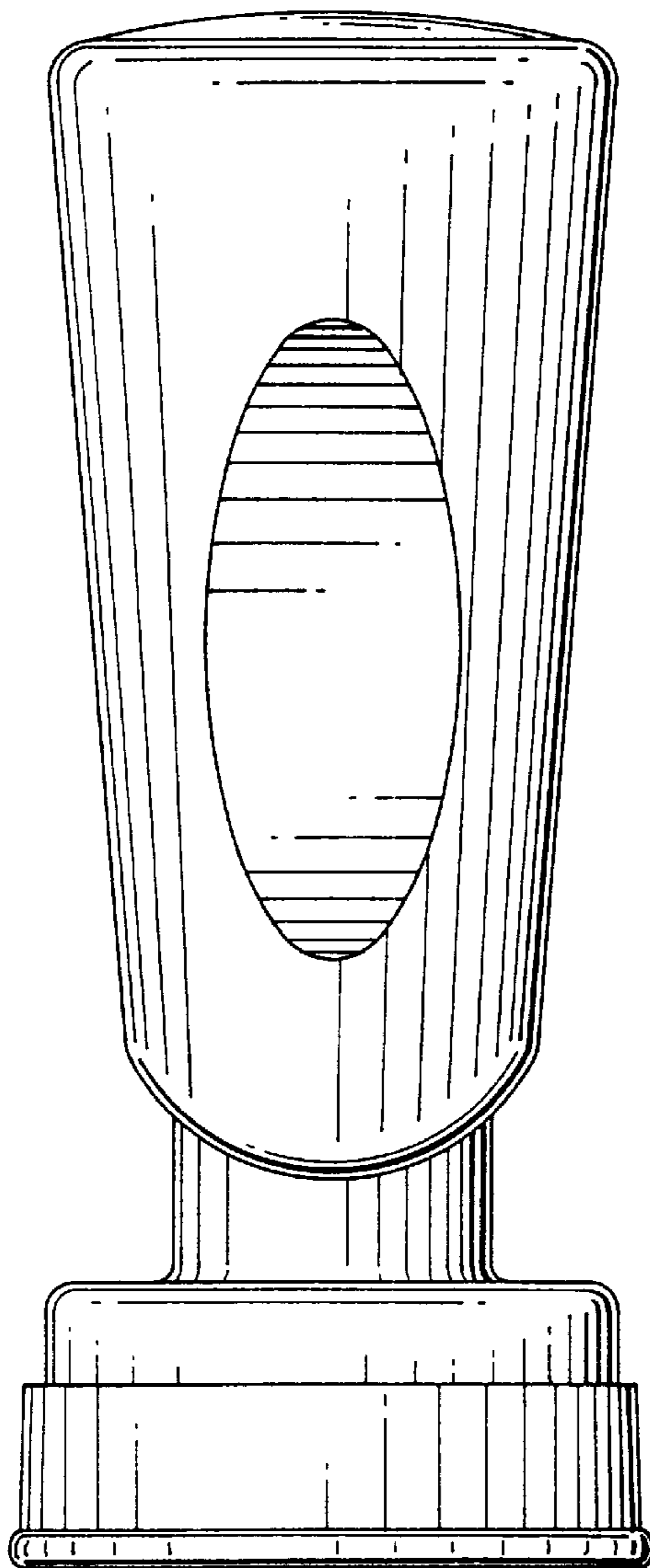


FIG. 10

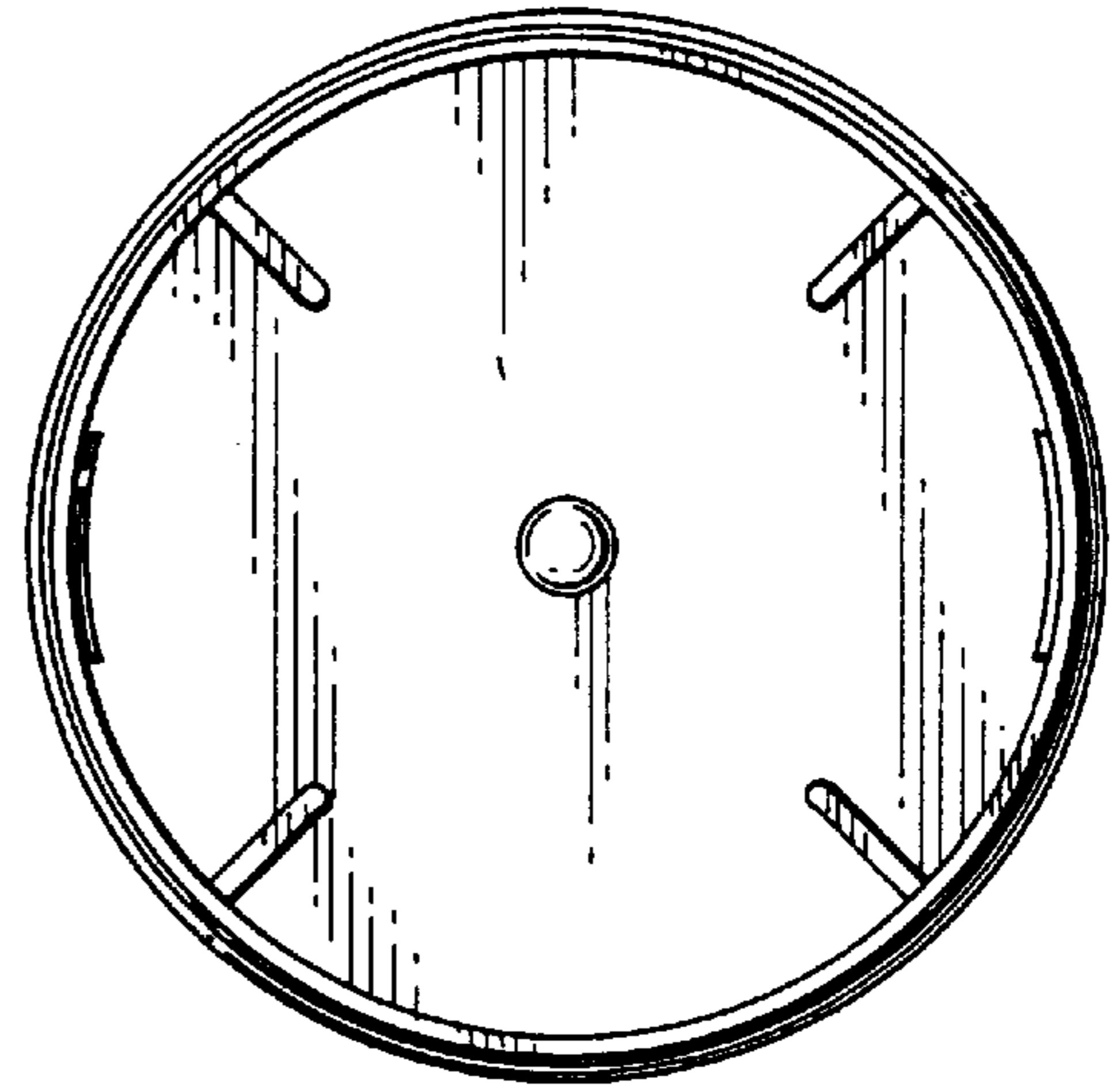


FIG. 11

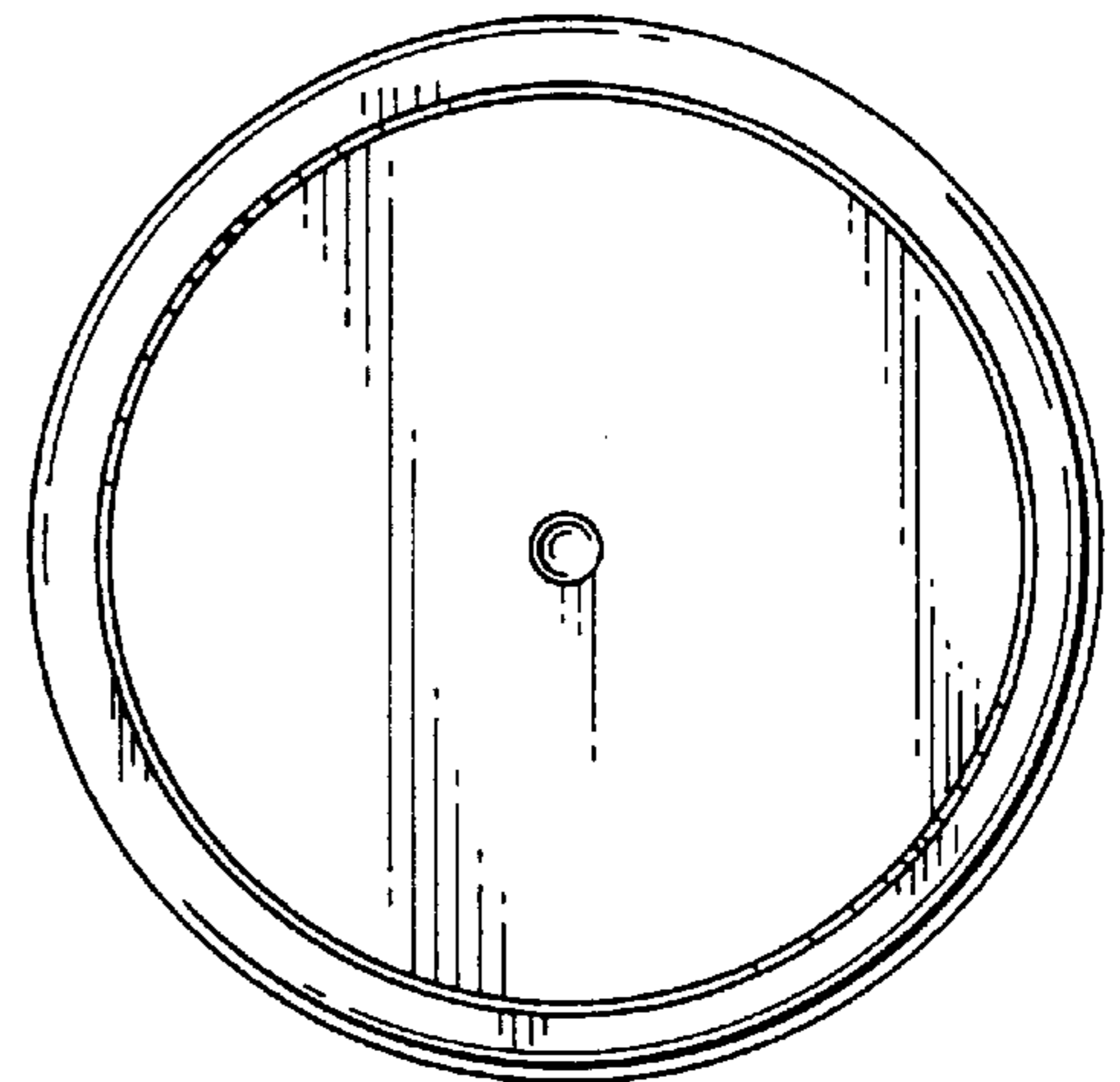


FIG. 9

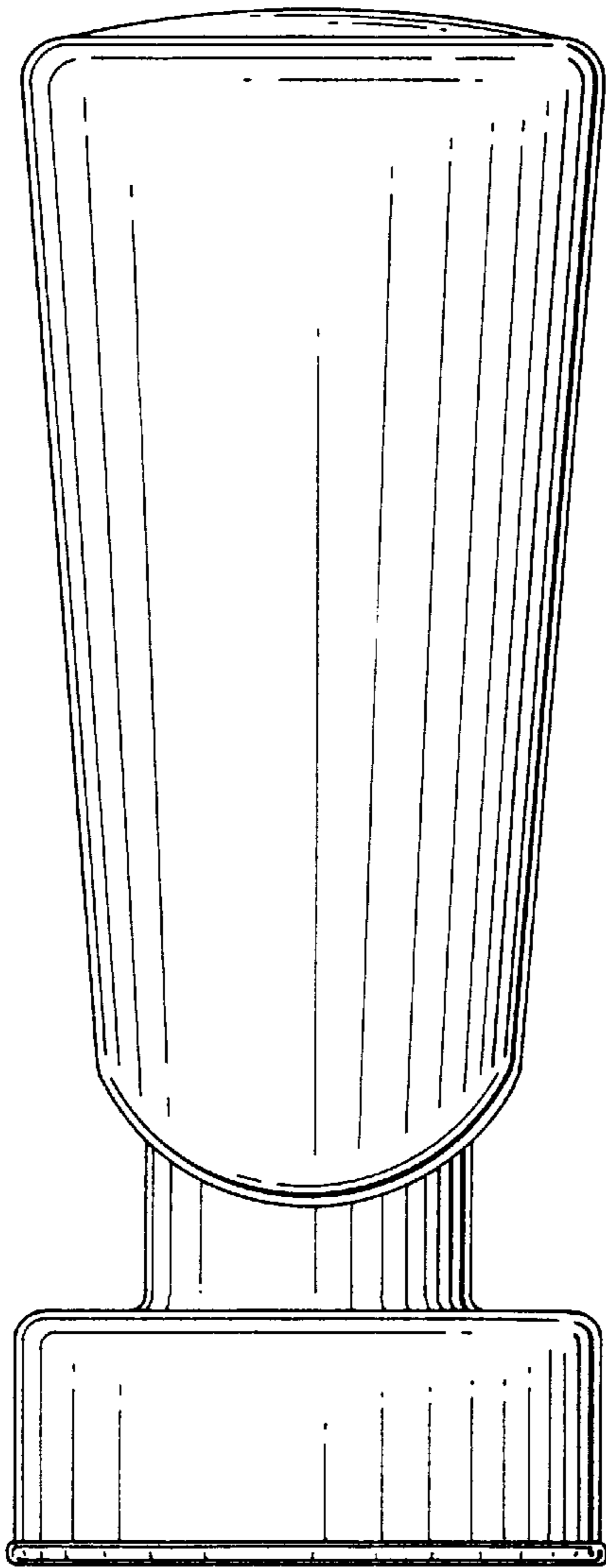


FIG. 2

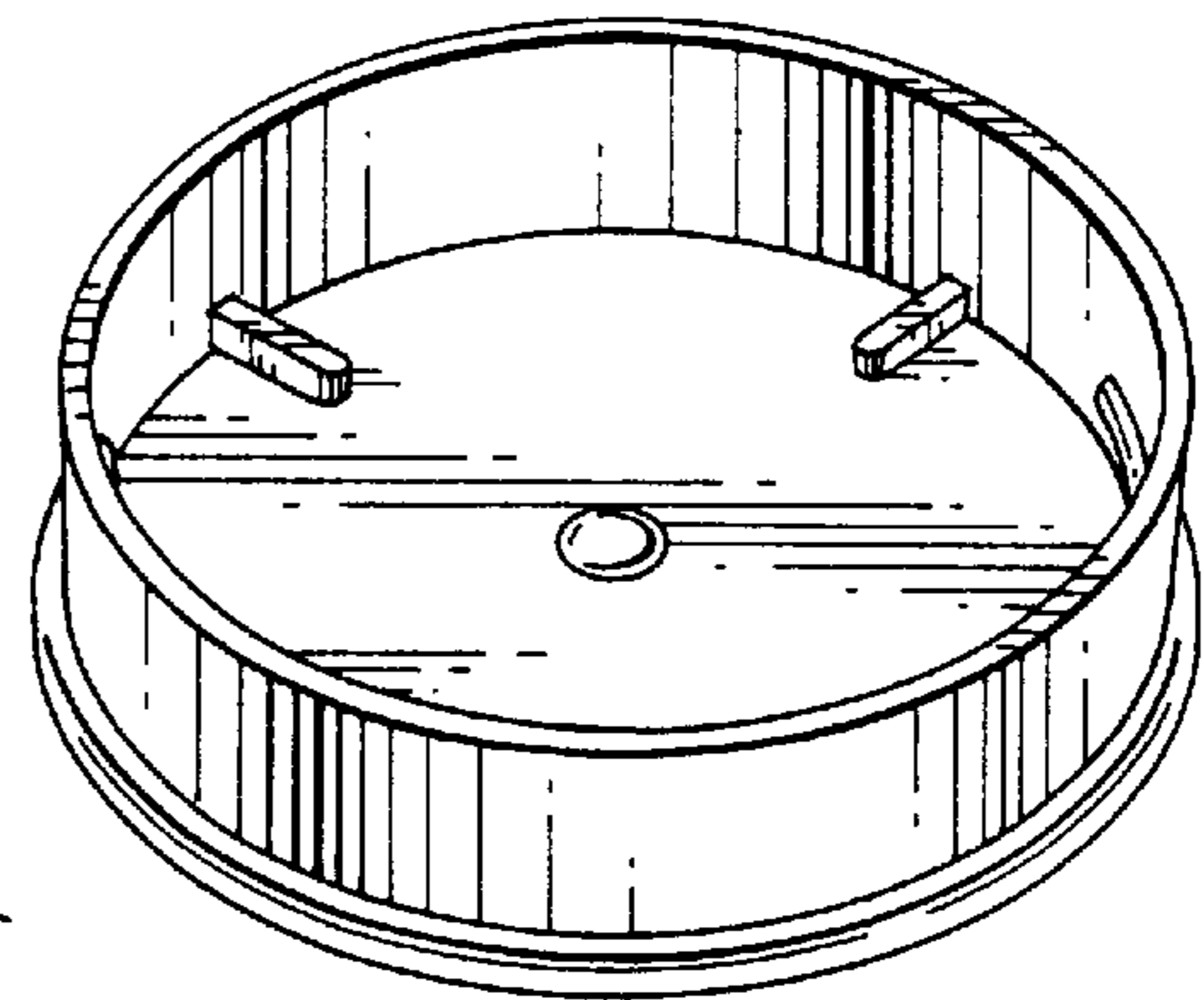
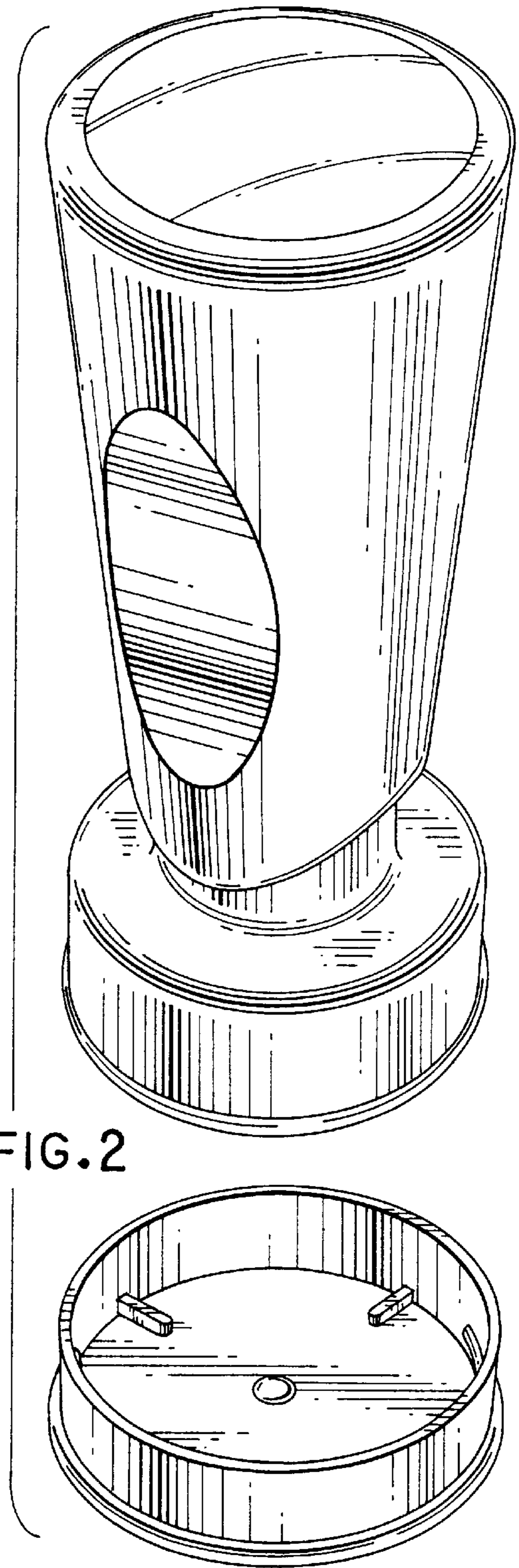


FIG. 3

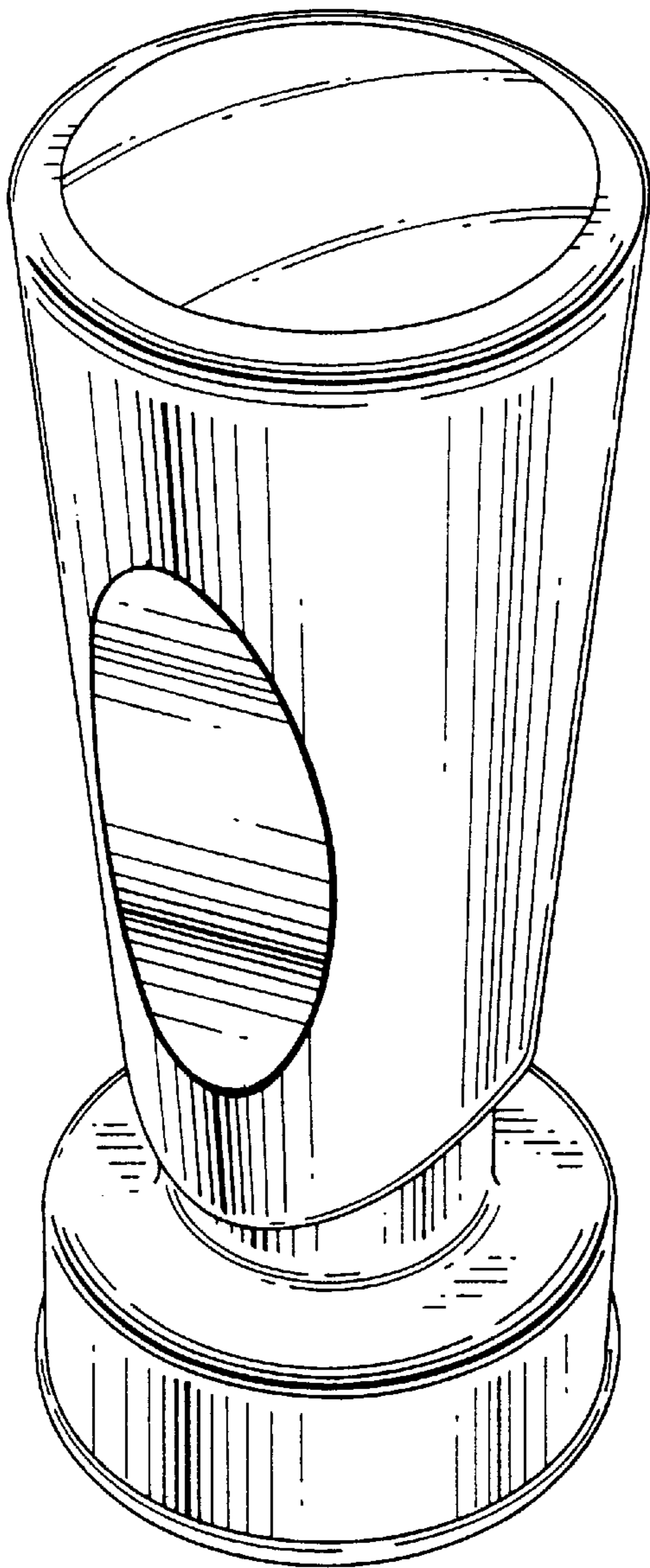


FIG. 4

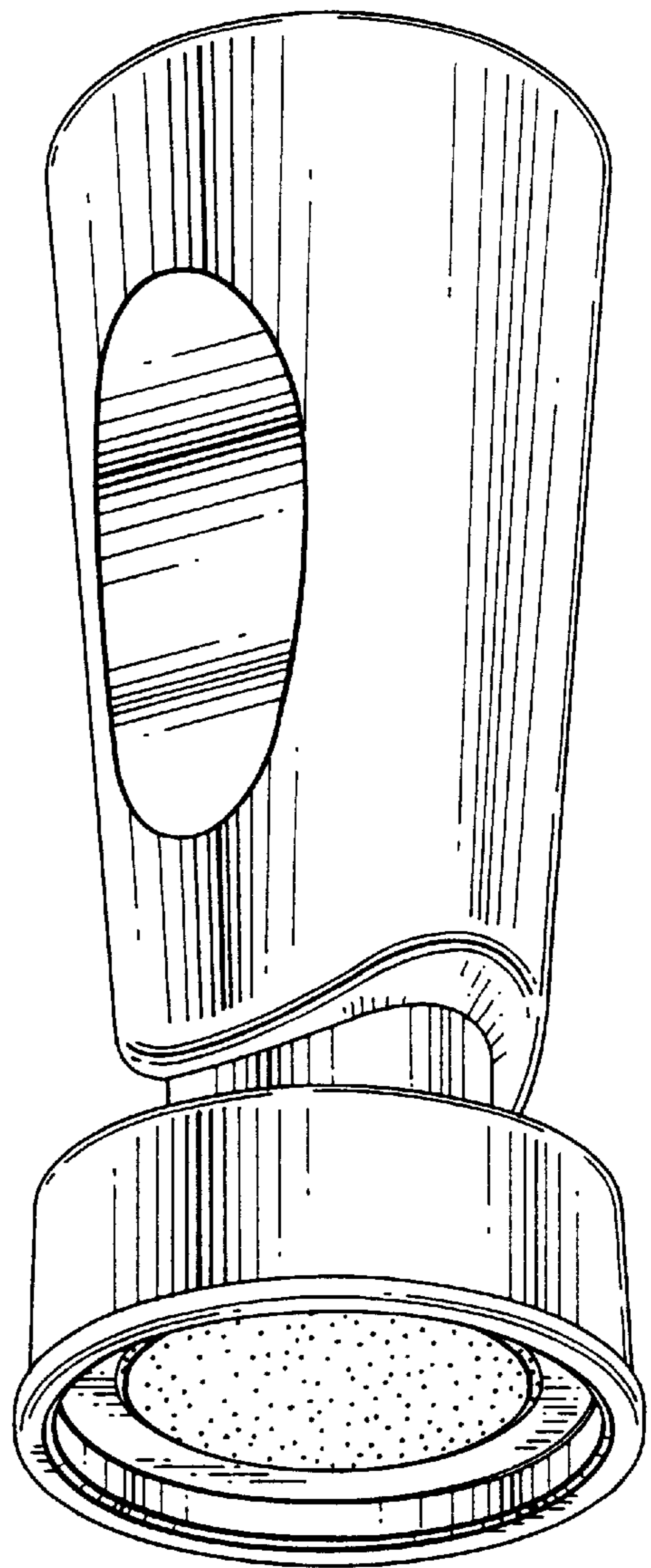


FIG. 5

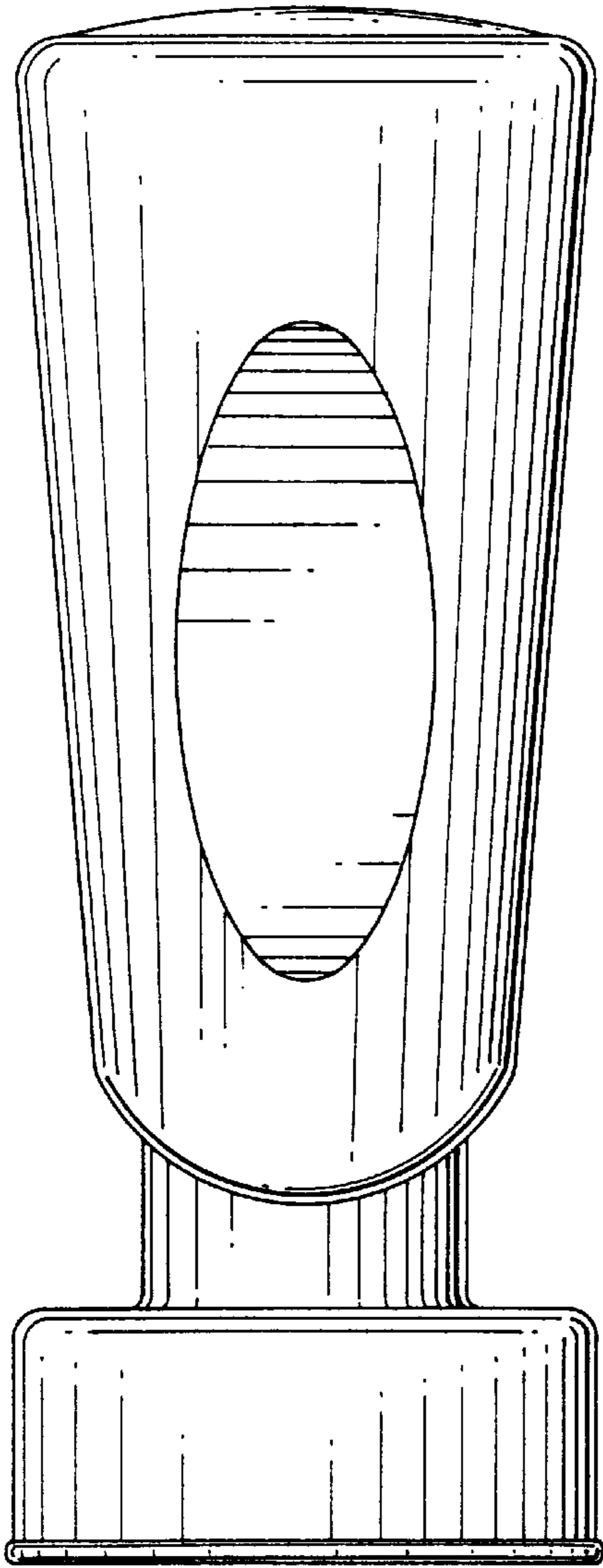


FIG. 6

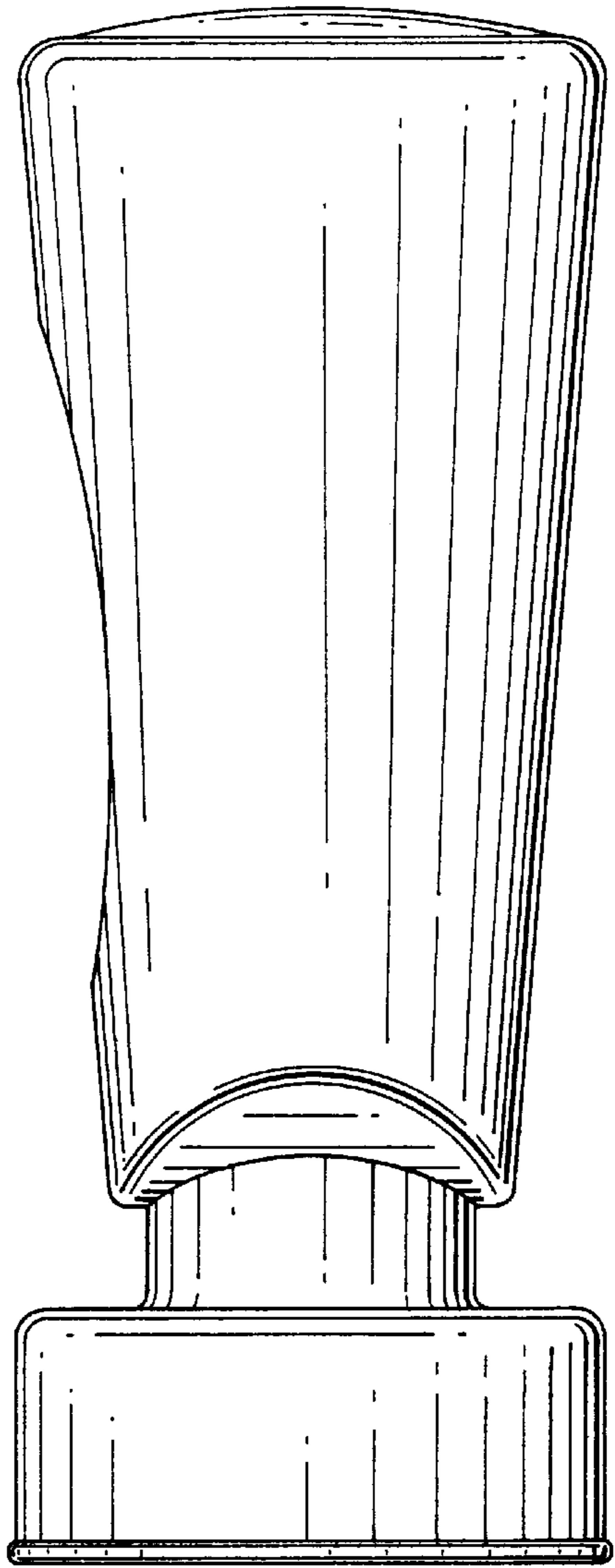


FIG. 7

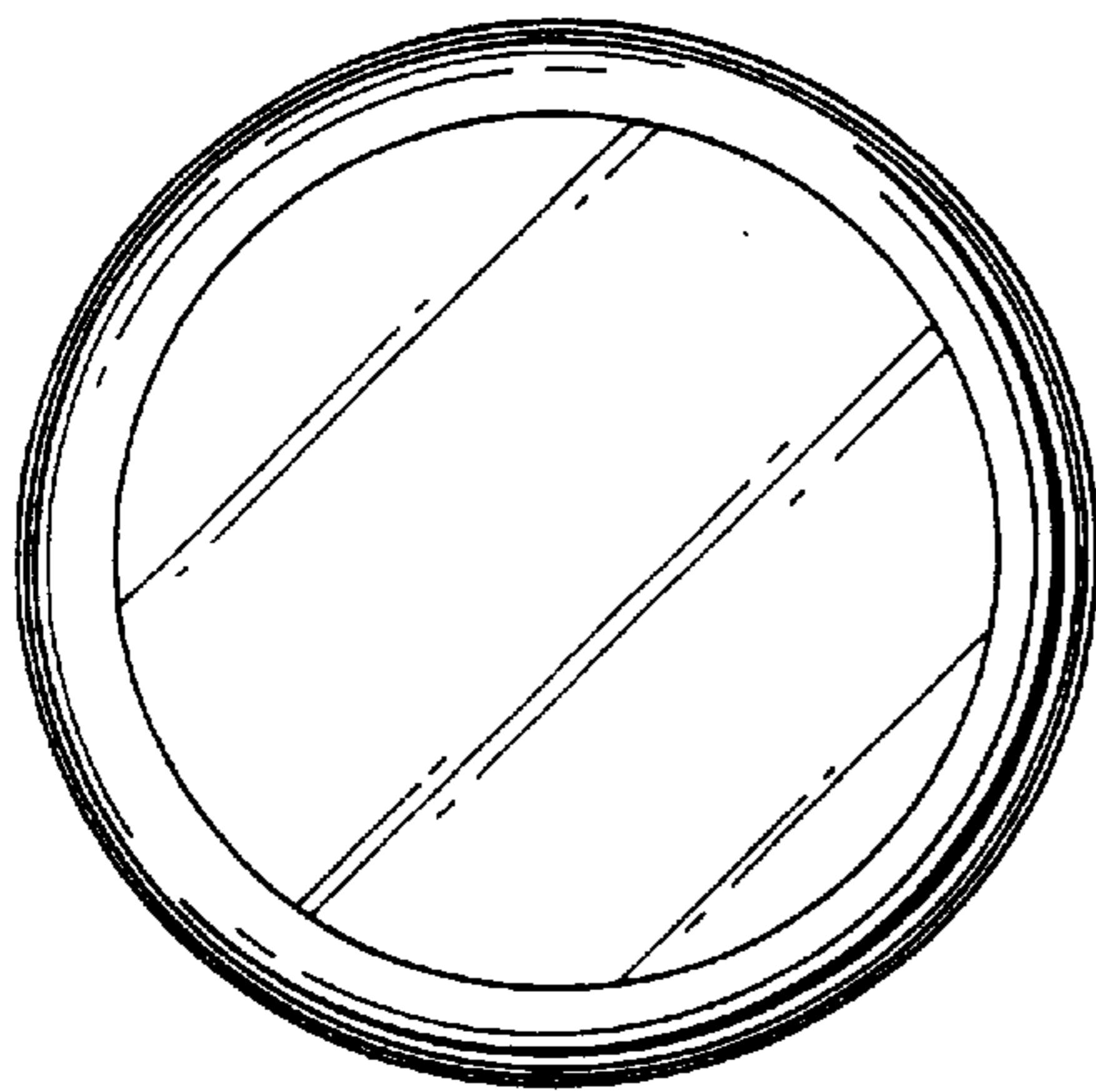


FIG. 8

