



US00D422010S

# United States Patent [19]

Arnette

[11] Patent Number: **Des. 422,010**

[45] Date of Patent: **\*\* Mar. 28, 2000**

[54] **EYEWEAR FRONT**

[75] Inventor: **Gregory F. Arnette**, South Laguna Beach, Calif.

[73] Assignee: **Bausch & Lomb Incorporated**, Rochester, N.Y.

[\*\*] Term: **14 Years**

[21] Appl. No.: **29/096,801**

[22] Filed: **Nov. 20, 1998**

### Related U.S. Application Data

[62] Division of application No. 29/064,936, Jan. 15, 1997, Pat. No. Des. 406,858.

[51] **LOC (6) Cl.** ..... **16-06**

[52] **U.S. Cl.** ..... **D16/326**

[58] **Field of Search** ..... D16/101, 300-330; 351/41, 44, 51, 52, 158; 2/447, 448

### [56] References Cited

#### U.S. PATENT DOCUMENTS

- D. 118,391 1/1940 Sanders ..... D16/326
- D. 158,974 6/1950 Kono ..... D16/328
- D. 170,622 10/1953 Bauer ..... D16/328
- D. 206,557 12/1966 McCulloch ..... D57/1

- D. 210,698 4/1968 Simon ..... D16/326
- D. 339,816 9/1993 Jackson ..... D16/300
- D. 366,667 1/1996 Arnette ..... D16/329
- D. 366,892 2/1996 Arnette ..... D16/328
- D. 388,815 1/1998 Mage ..... D16/320
- D. 390,864 2/1998 Mage ..... D16/321
- D. 392,665 3/1998 Mage ..... D16/326

### FOREIGN PATENT DOCUMENTS

- DM/037 121 9/1995 Hague Agreement .
- DM/036 148 4/1996 Hague Agreement .

*Primary Examiner*—Raphael Barkai  
*Attorney, Agent, or Firm*—Katherine McGuire

### [57] CLAIM

The ornamental design for eyewear front, as shown and described.

### DESCRIPTION

FIG. 1 is a front elevational view of an eyewear front showing my new design;  
 FIG. 2 is a side elevational view thereof;  
 FIG. 3 is a top plan view thereof;  
 FIG. 4 is a bottom plan view thereof;  
 FIG. 5 is a top, front perspective view thereof; and,  
 FIG. 6 is a top, rear perspective view thereof.

**1 Claim, 3 Drawing Sheets**

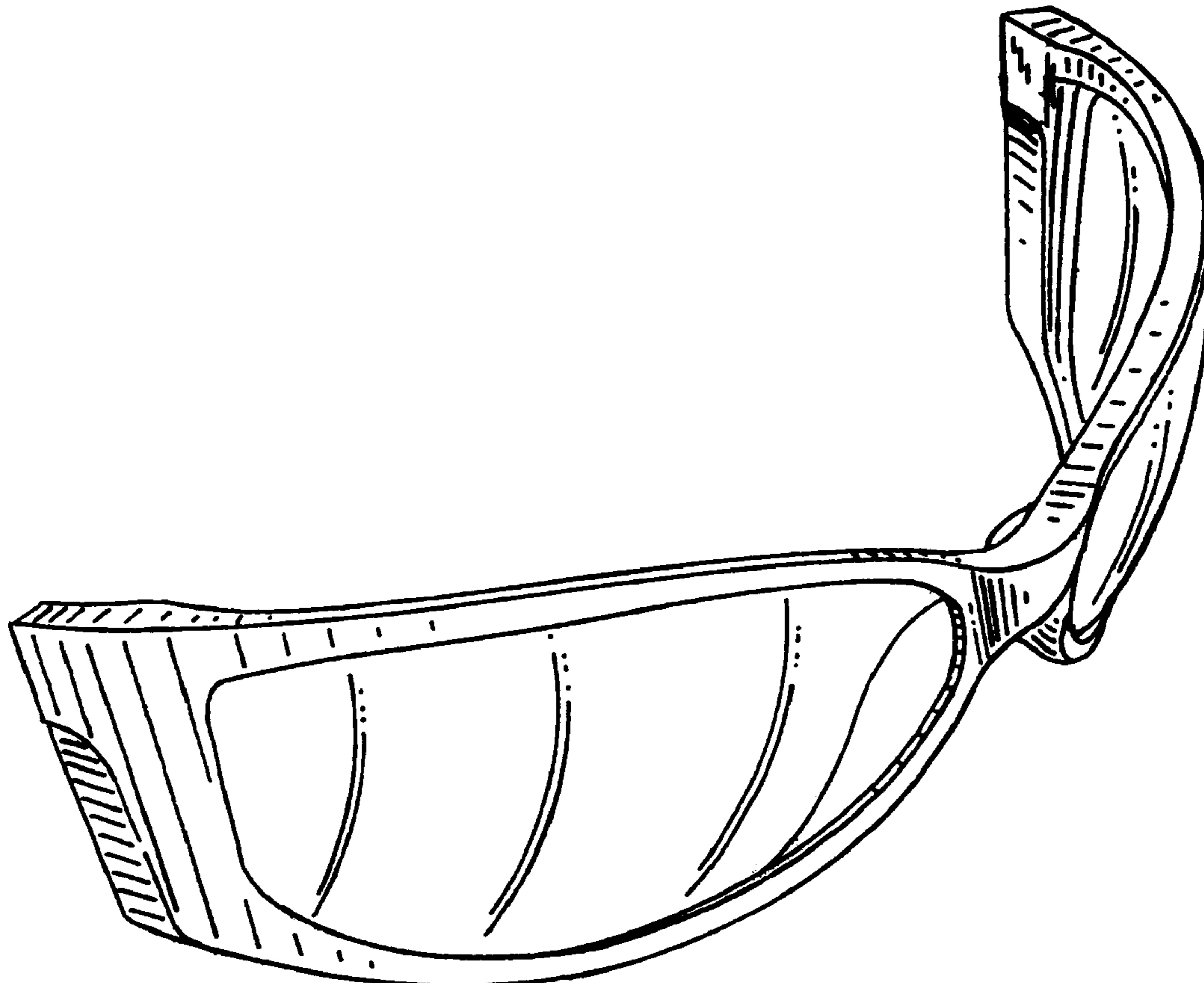


FIG. 1

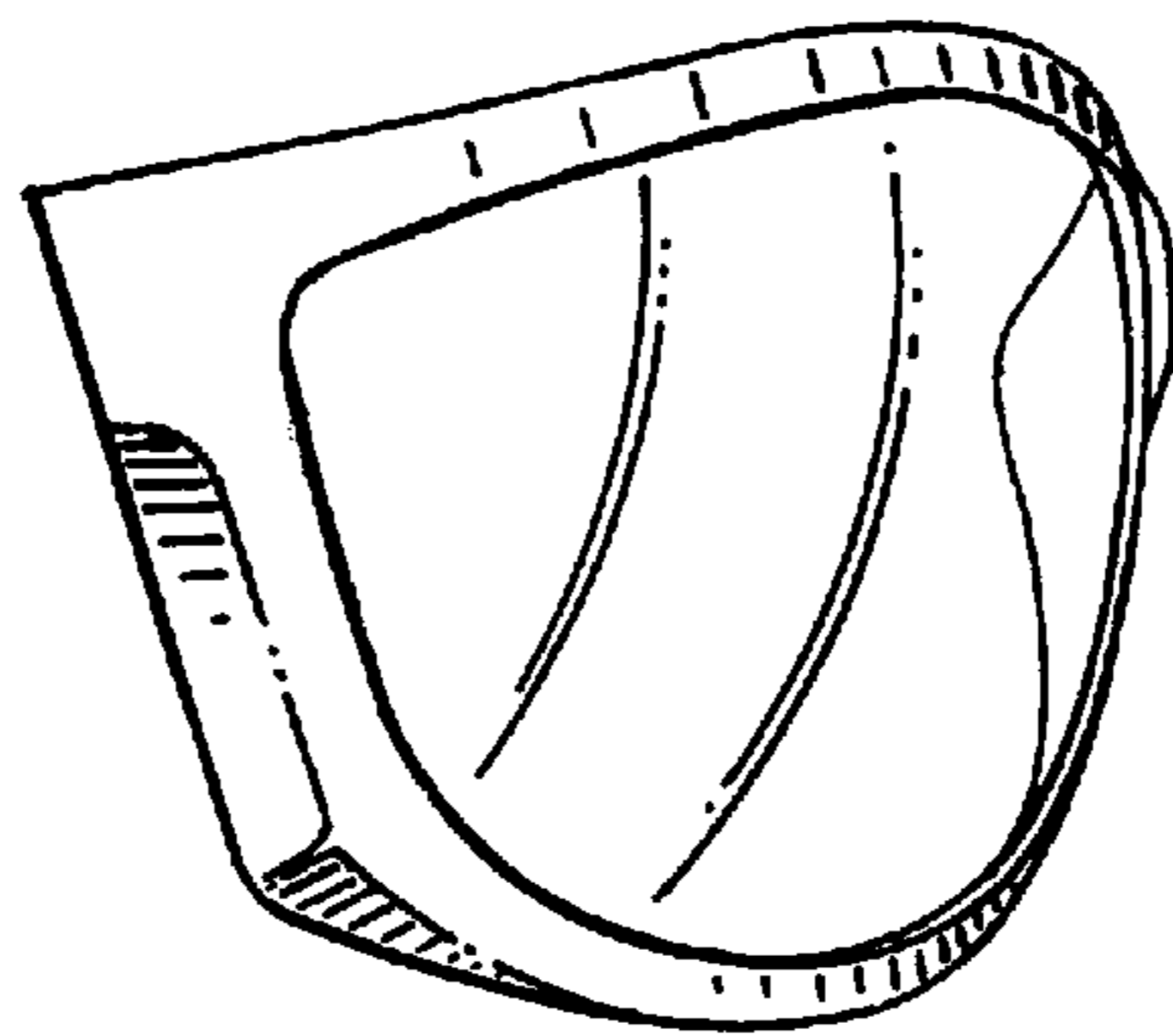
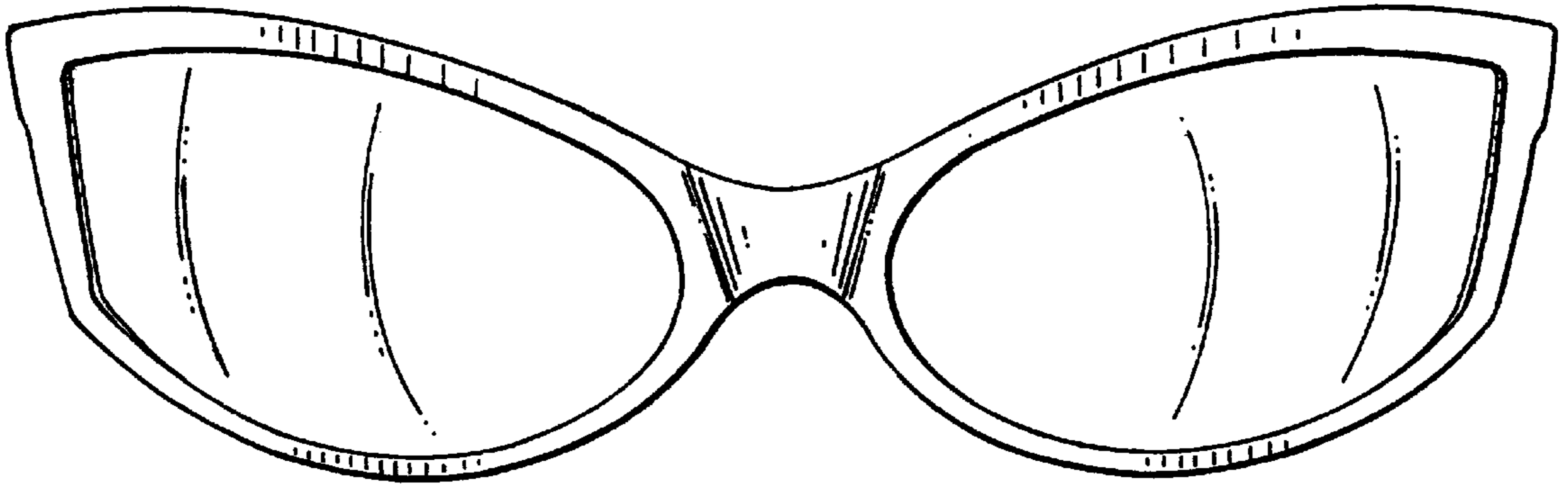


FIG. 2

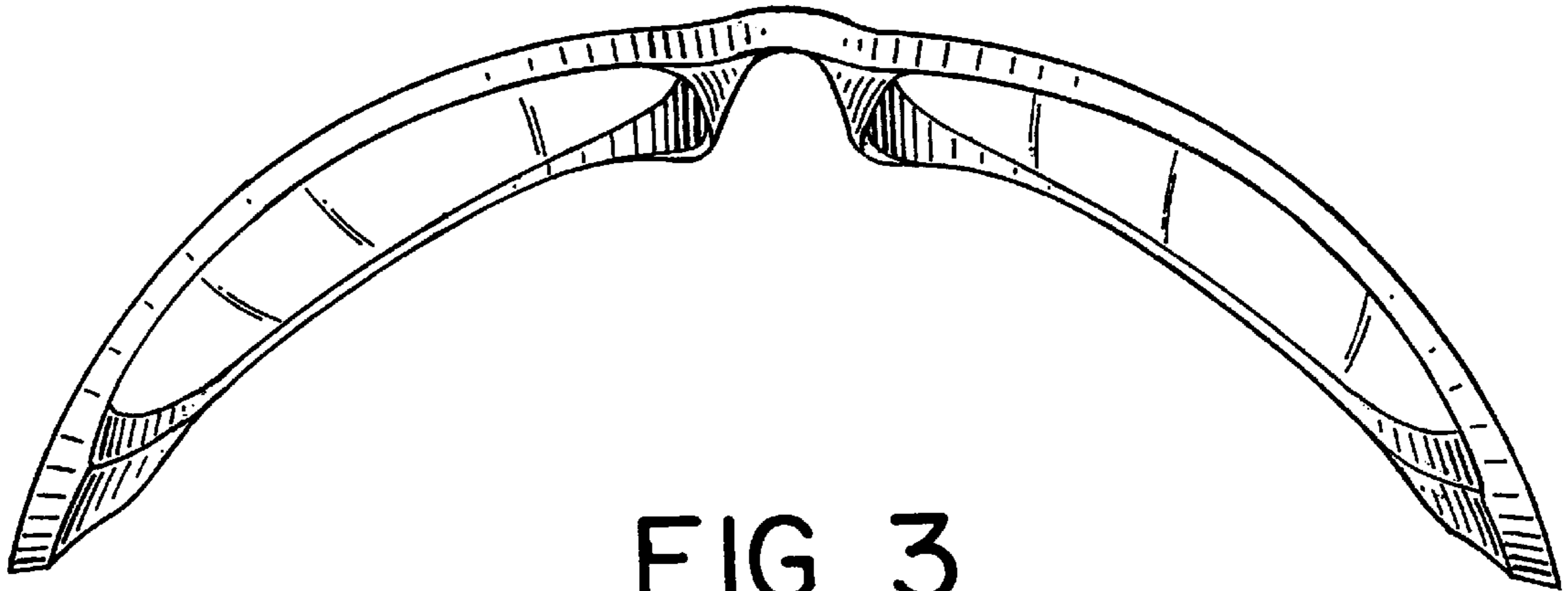


FIG. 3

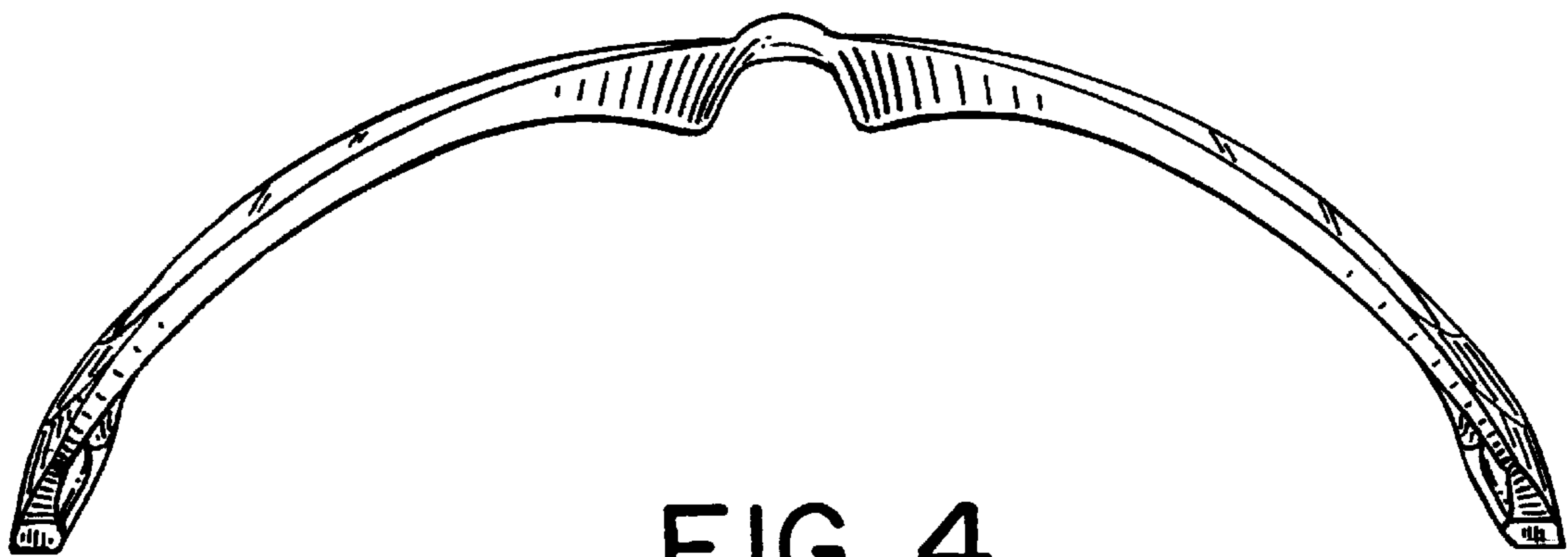


FIG. 4

FIG. 5

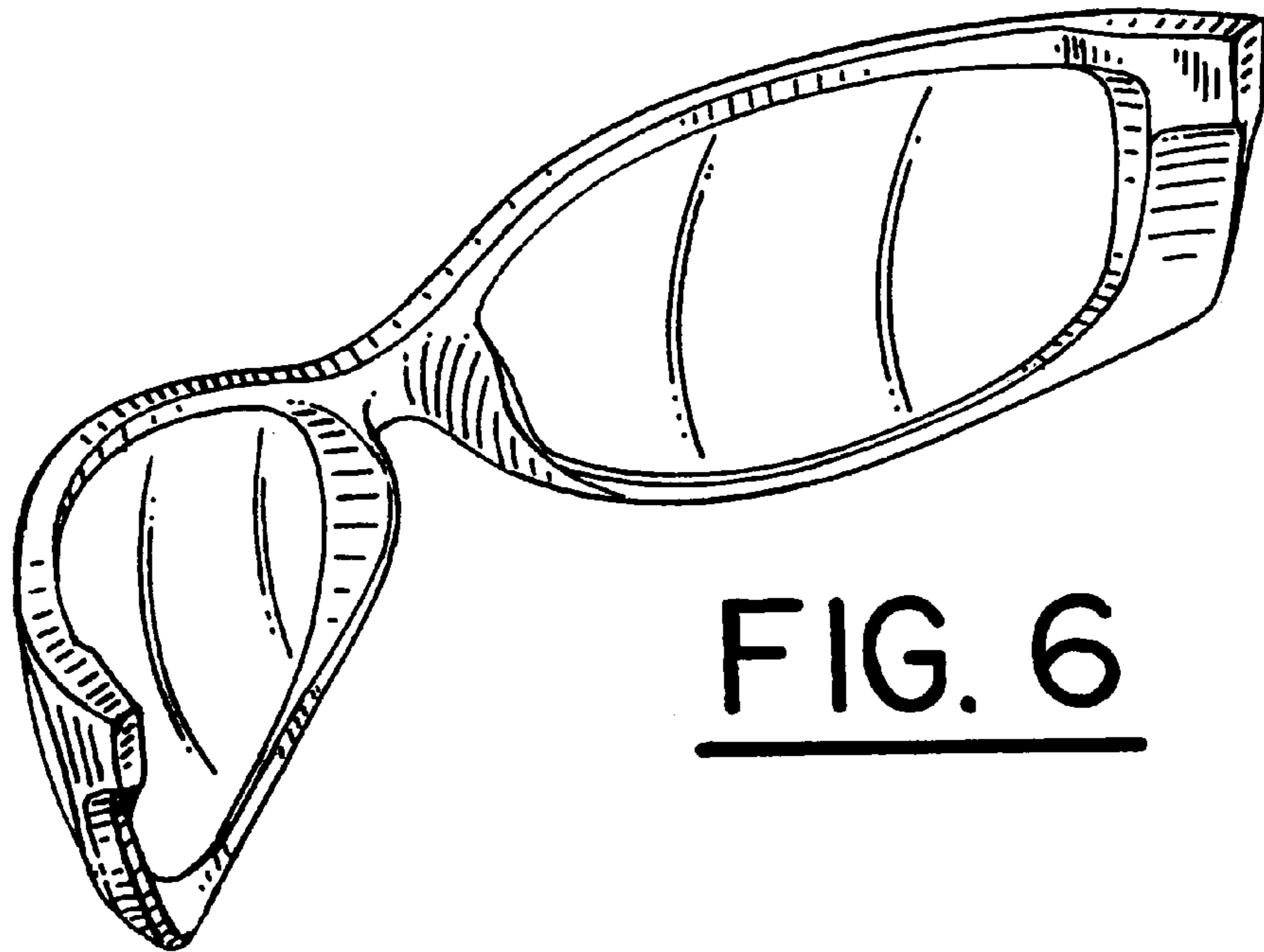
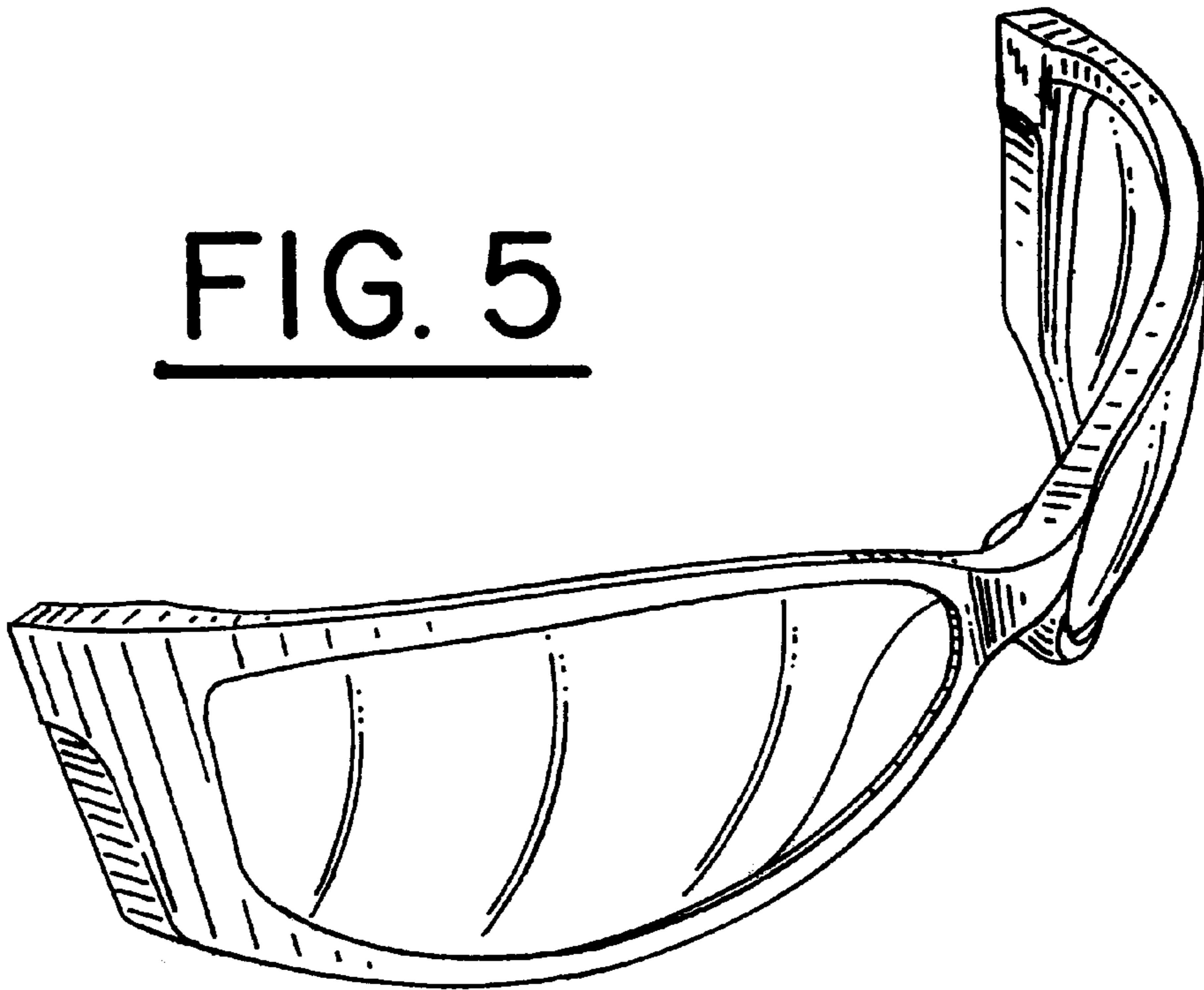


FIG. 6