



US00D422004S

United States Patent [19] Chiu

[11] **Patent Number: Des. 422,004**

[45] **Date of Patent: ** Mar. 28, 2000**

[54] **TOY EYEGLASSES**

D. 410,243 5/1999 Coats D16/306

[75] Inventor: **Ching-Hsing Chiu**, Tainan, Taiwan

Primary Examiner—Raphael Barkai
Attorney, Agent, or Firm—Rosenberg, Klein & Lee

[73] Assignee: **Hau Mei Industrial Co., Ltd.**, Tainan, Taiwan

[57] **CLAIM**

[**] Term: **14 Years**

The ornamental design for a toy eyeglasses, as shown and described.

[21] Appl. No.: **29/107,741**

DESCRIPTION

[22] Filed: **Jul. 9, 1999**

FIG. 1 is a perspective view of a toy eyeglasses showing my new design;

[51] **LOC (6) Cl.** **16-06**

FIG. 2 is a front elevational view thereof;

[52] **U.S. Cl.** **D16/306**

FIG. 3 is a rear elevational view thereof;

[58] **Field of Search** D16/300, 301, D16/306, 309; D21/660, 812; D18/24, 26, 29; 446/27; 351/41, 44, 51, 52, 158

FIG. 4 is a left side elevational view thereof;

FIG. 5 is a right side elevational view thereof;

FIG. 6 is a top plan view thereof;

FIG. 7 is a bottom plan view thereof; and,

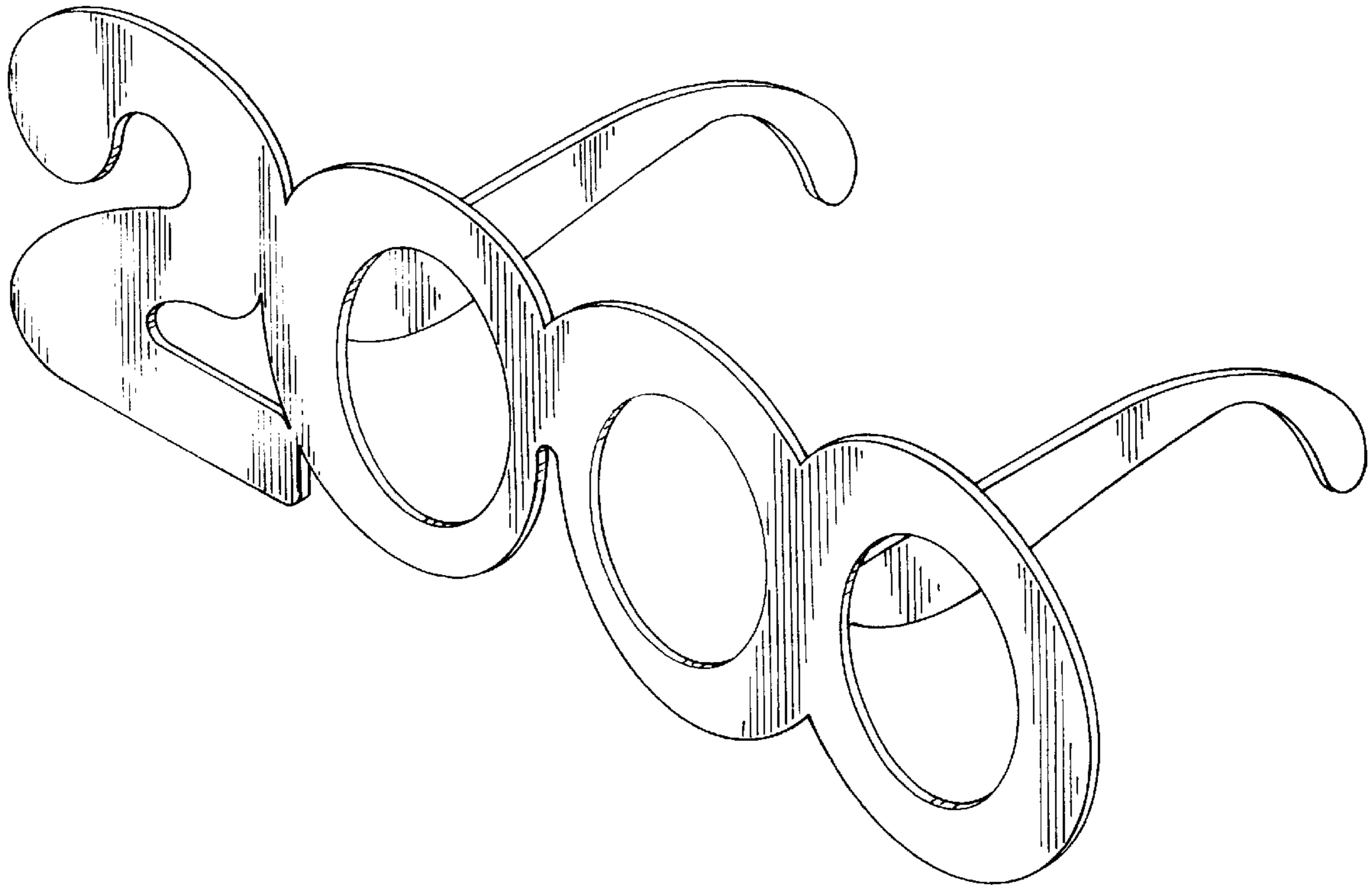
FIG. 8 is a perspective view thereof, the broken lines are for illustrative purposes only and form no part of the claimed design.

[56] **References Cited**

U.S. PATENT DOCUMENTS

- D. 335,134 4/1993 Sclafani et al. D16/306
- D. 394,077 5/1998 Suorsa D16/306
- D. 405,458 2/1999 Rudofski D16/306

1 Claim, 6 Drawing Sheets



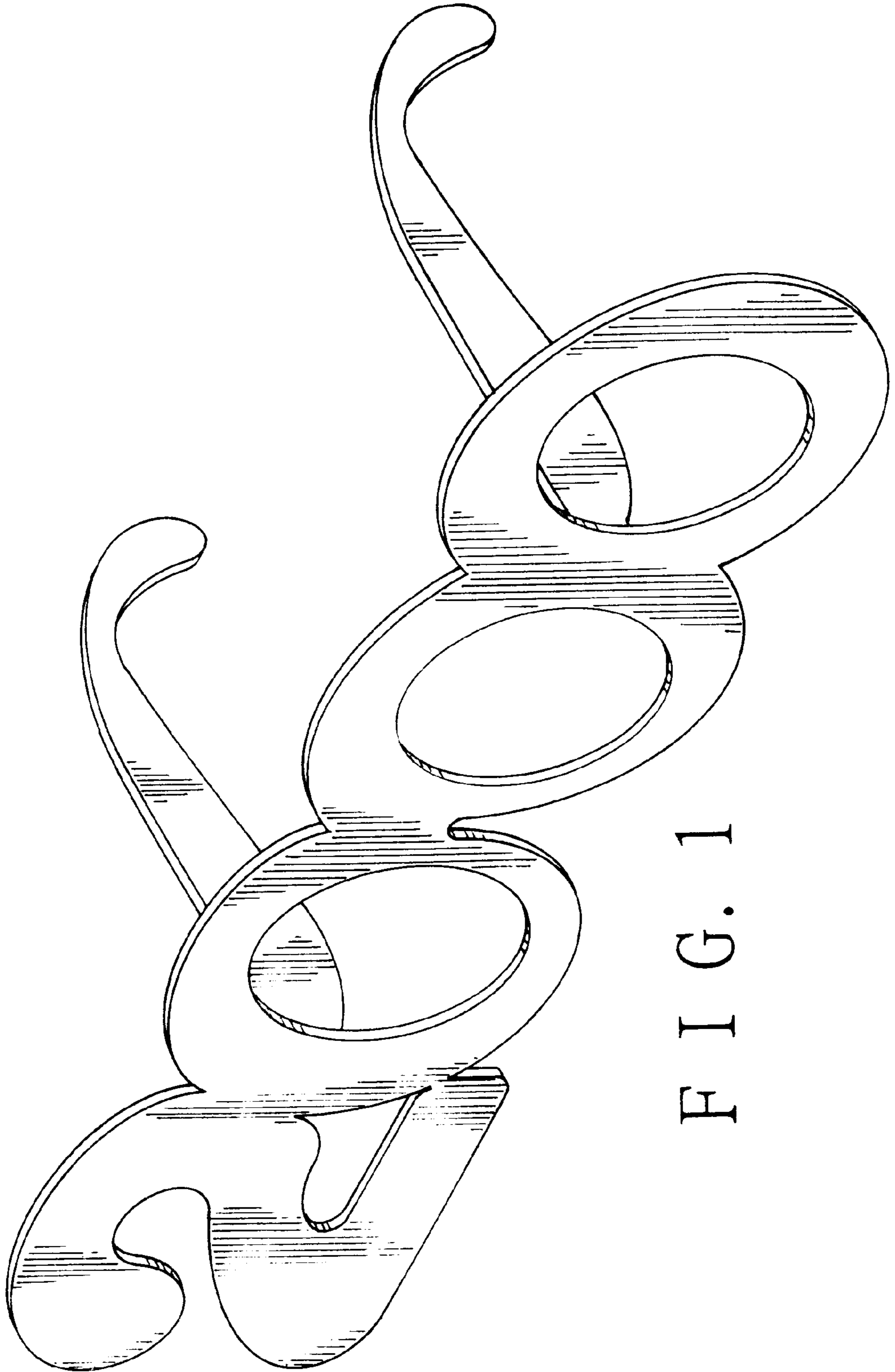


FIG. 1

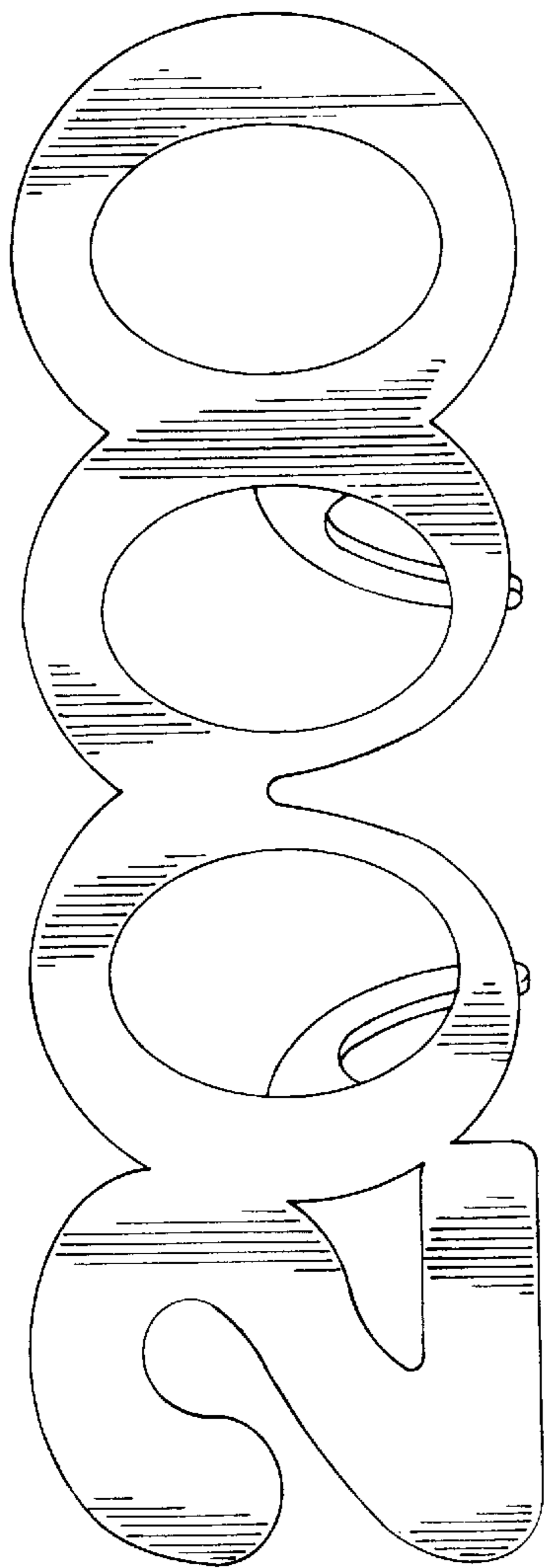


FIG. 2

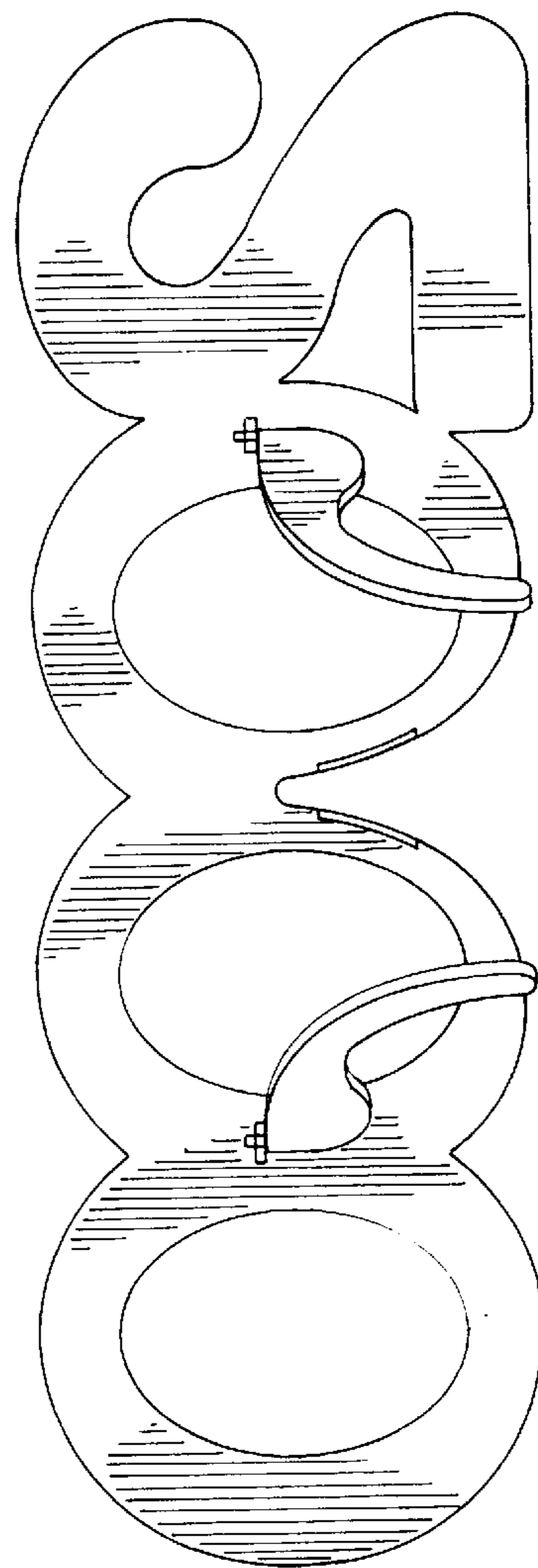


FIG. 3

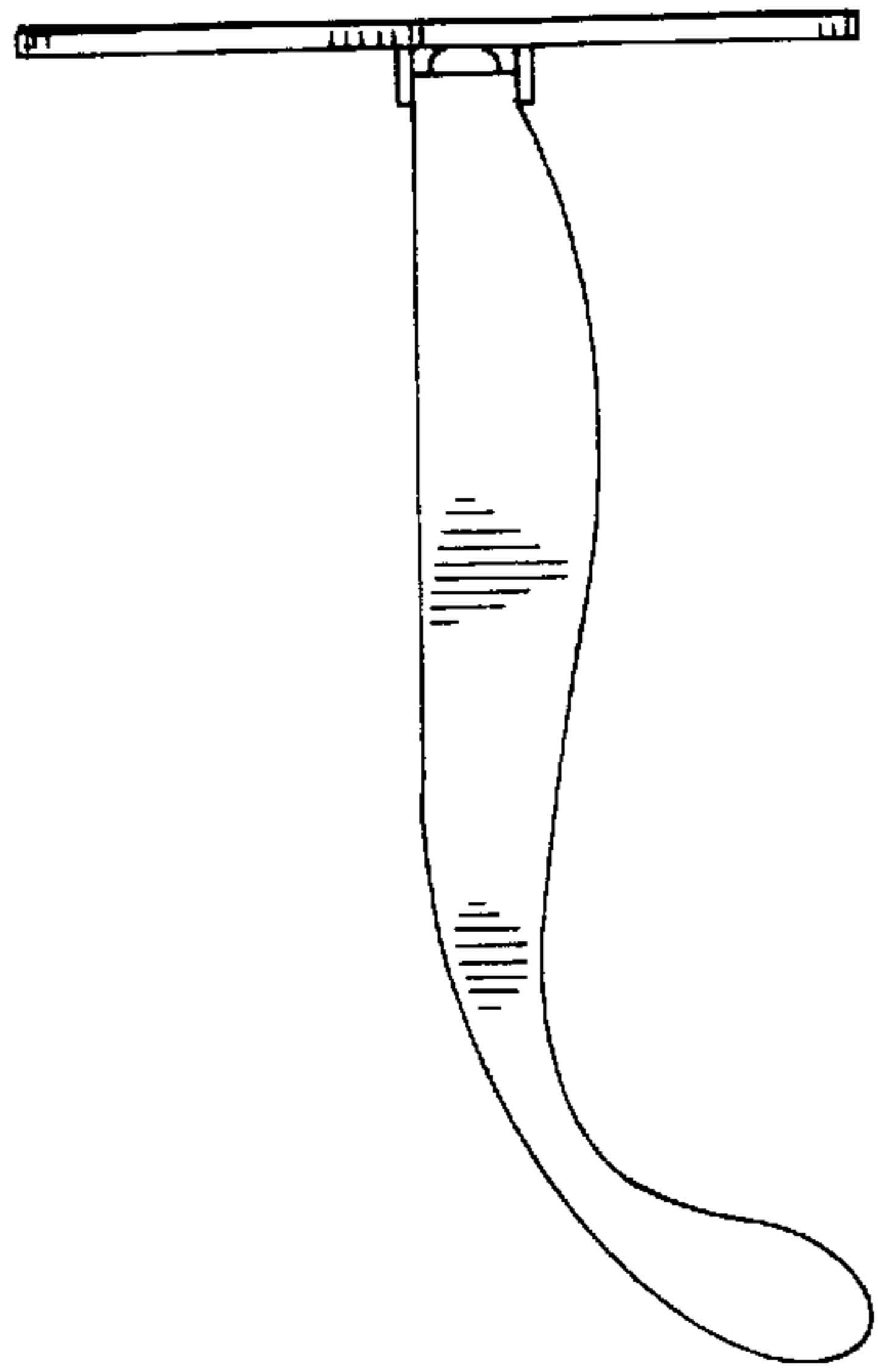


FIG. 4

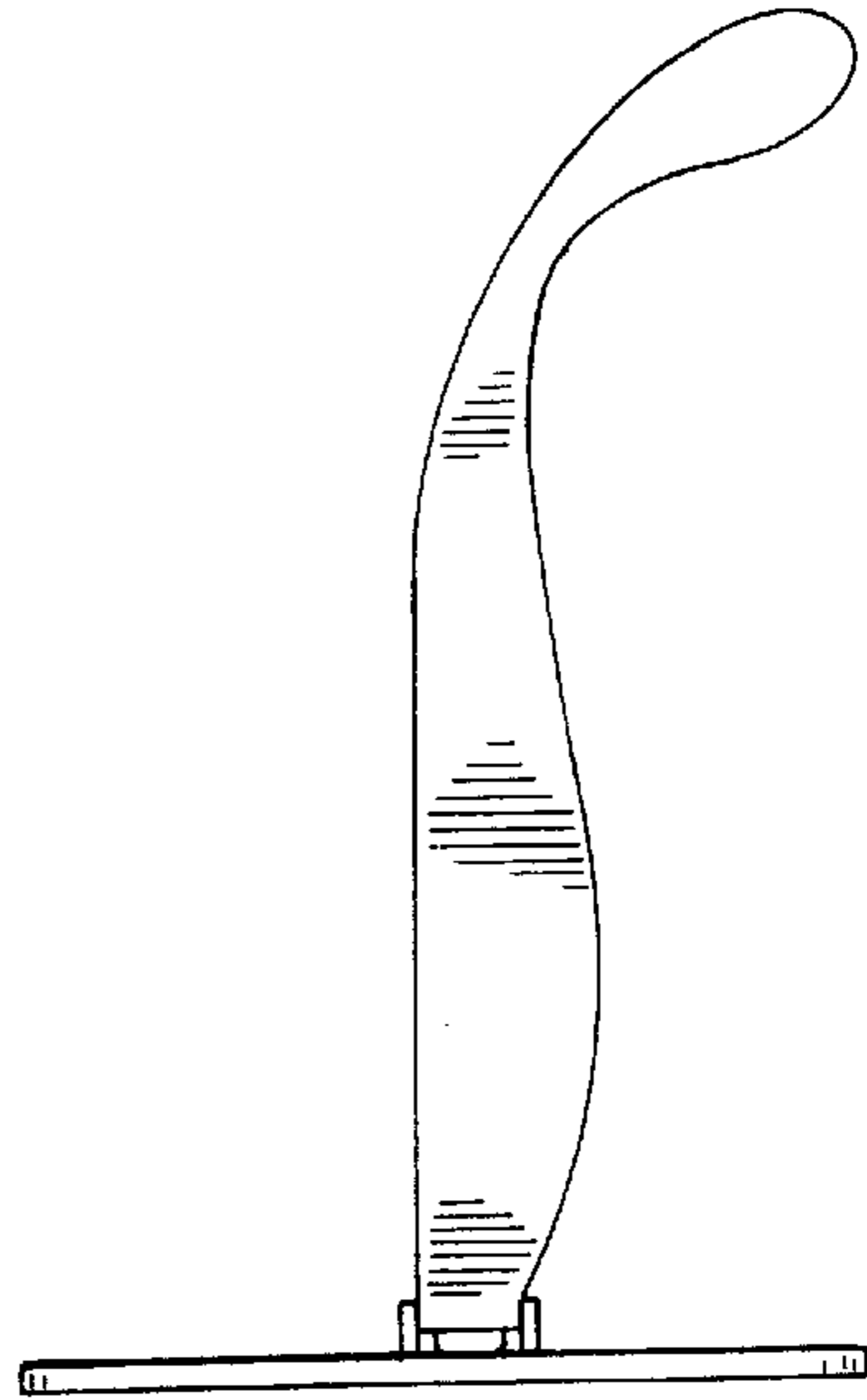


FIG. 5

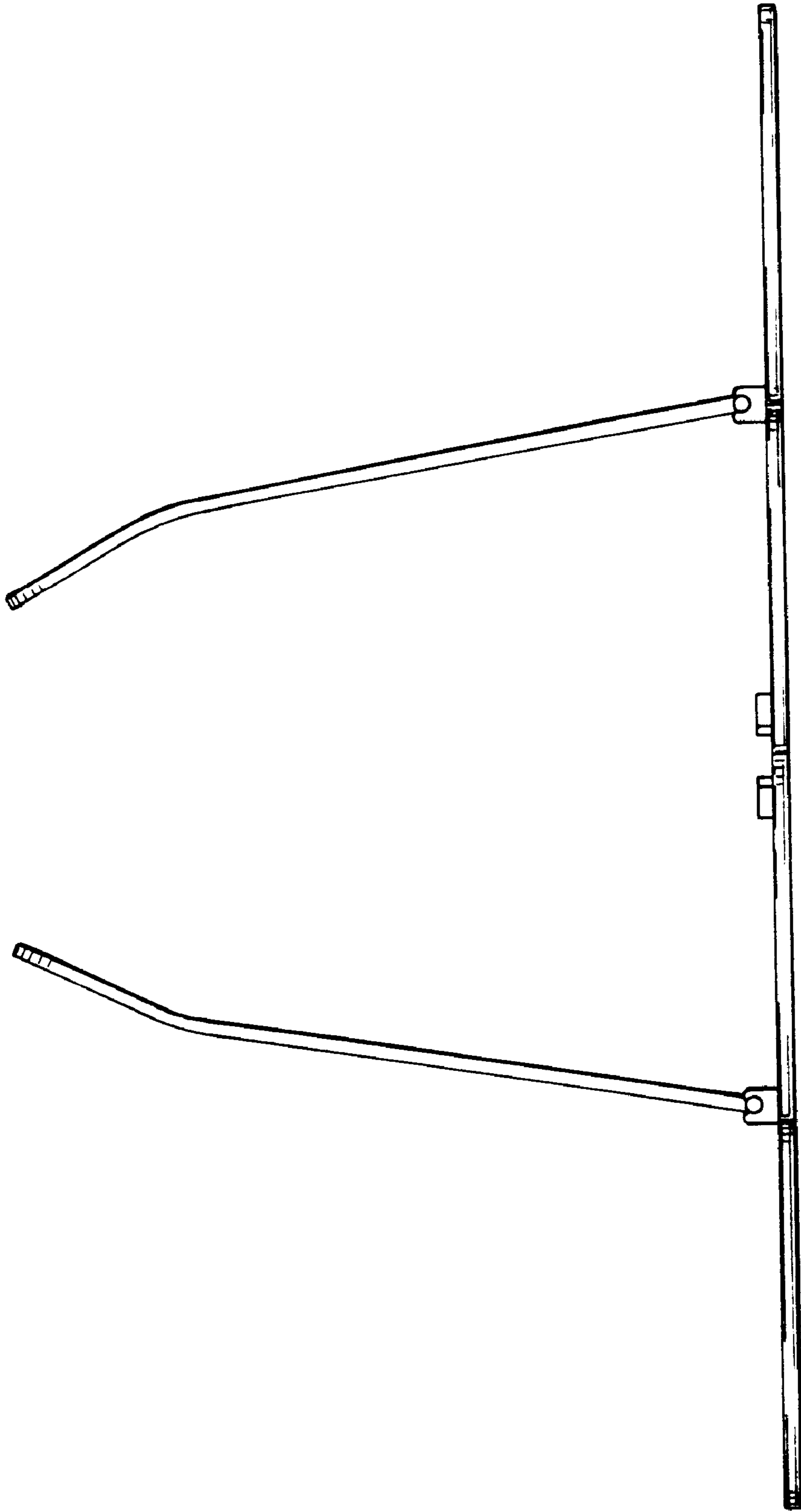


FIG. 6

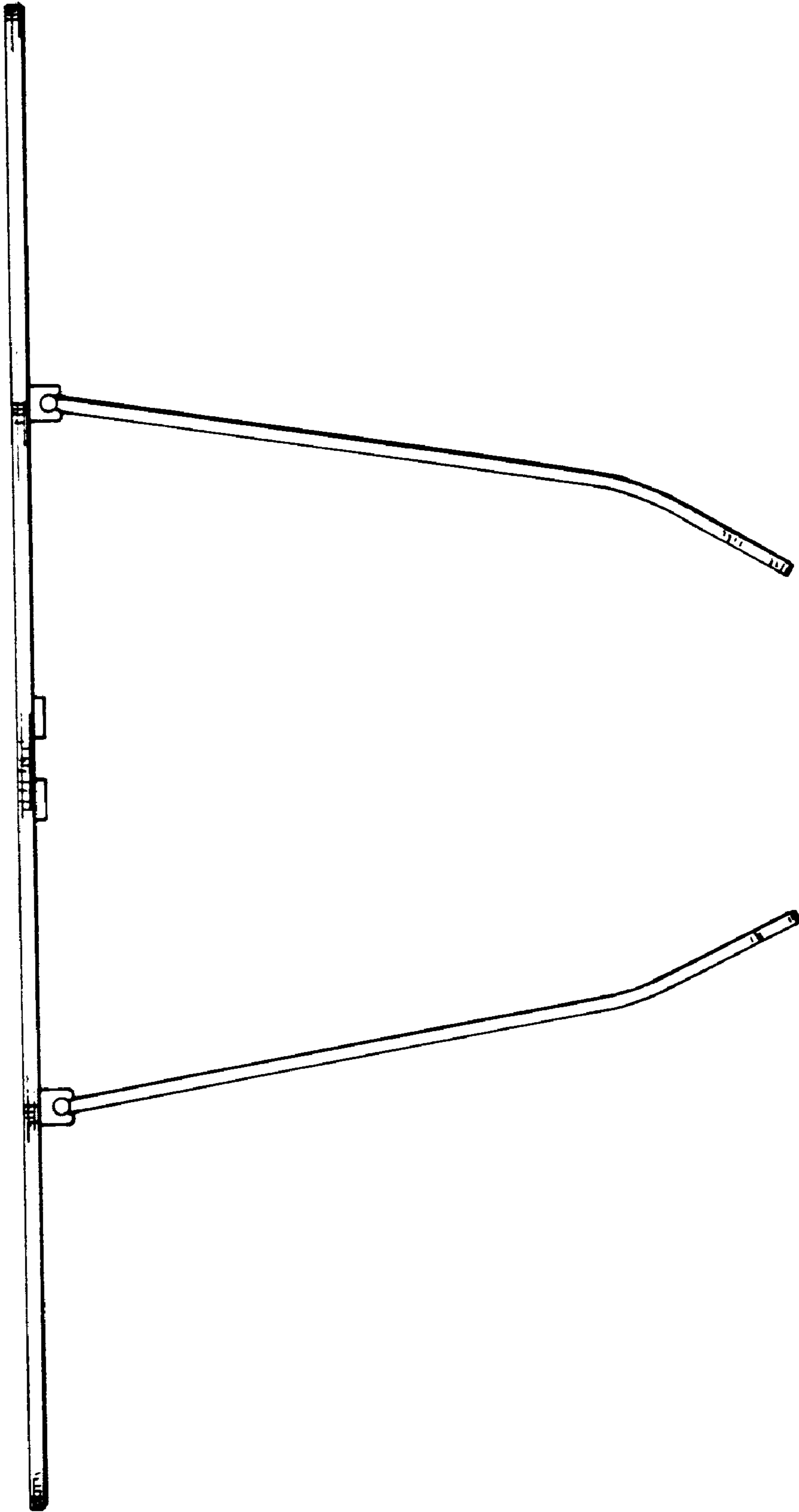
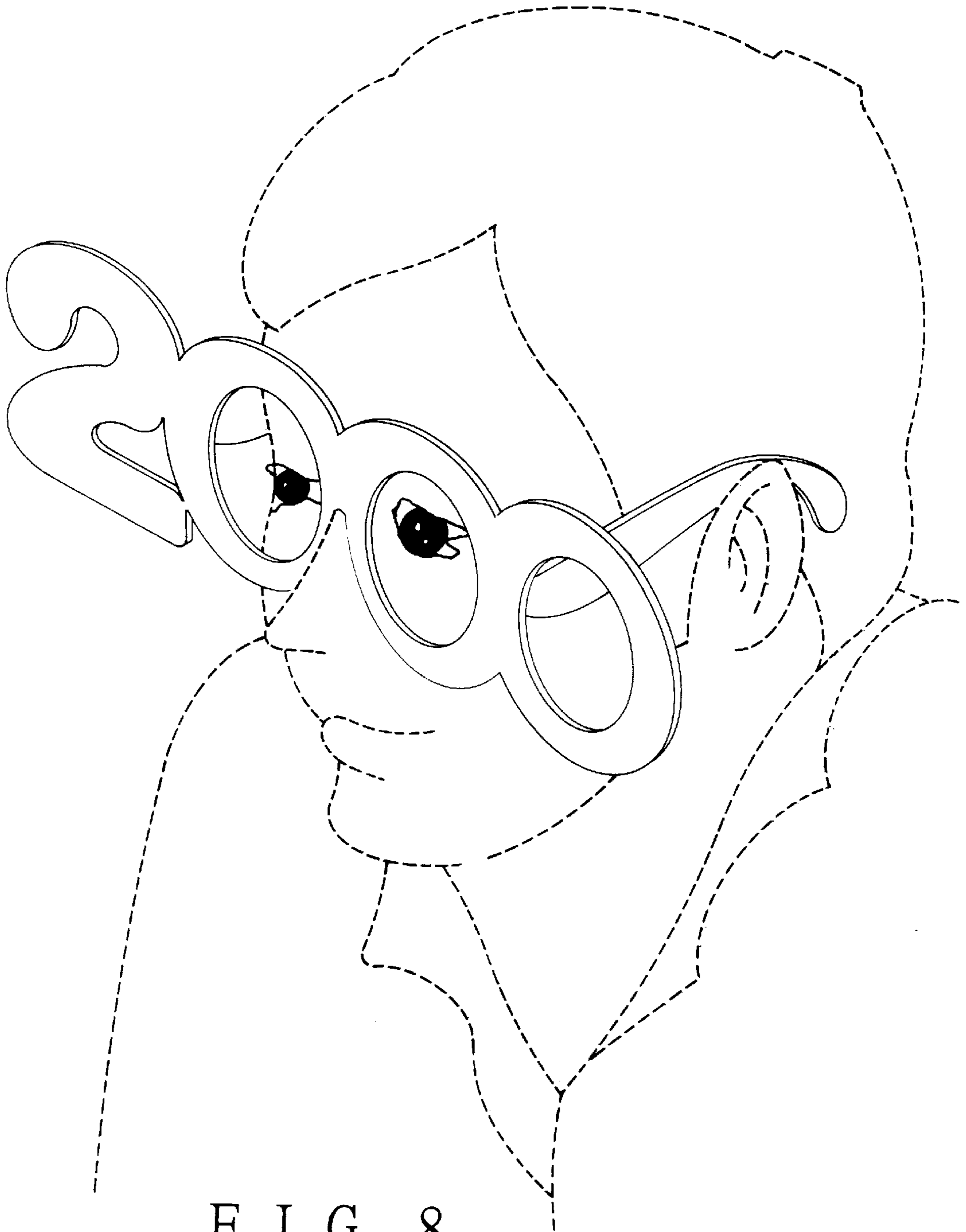


FIG. 7



F I G . 8