



US00D422003S

United States Patent [19] Takizawa

[11] Patent Number: **Des. 422,003**

[45] Date of Patent: **** Mar. 28, 2000**

[54] **IMAGE PROJECTOR**

[75] Inventor: **Sakiko Takizawa**, Kawasaki, Japan

[73] Assignee: **Canon Kabushiki Kaisha**, Tokyo, Japan

[**] Term: **14 Years**

[21] Appl. No.: **29/104,372**

[22] Filed: **May 4, 1999**

[30] **Foreign Application Priority Data**

Nov. 6, 1998 [JP] Japan 10-32198

[51] **LOC (6) Cl.** **16-02**

[52] **U.S. Cl.** **D16/231; D16/225; D16/230**

[58] **Field of Search** D16/205, 208, D16/221, 225, 230, 231, 234; D21/514; 352/34, 242, 243; 353/115, 119, 122

[56] **References Cited**

U.S. PATENT DOCUMENTS

- D. 371,148 6/1996 Kobayashi et al. D16/221
- D. 401,260 11/1998 Kodama et al. D16/225
- D. 401,261 11/1998 Yamazaki et al. D16/225

- D. 403,009 12/1998 Yamazaki et al. D16/225
- D. 412,926 8/1999 Saeki et al. D16/231
- 2,916,964 12/1959 Paulsohn 353/115

OTHER PUBLICATIONS

Sanyo Catalog, Cover page [LP-XG70 (H)], Aug. 1997.

Primary Examiner—Adir Aronovich
Attorney, Agent, or Firm—Fitzpatrick, Cella, Harper & Scinto

[57] **CLAIM**

The ornamental design for an image projector, as shown and described.

DESCRIPTION

FIG. 1 is a front view of an image projector showing my new design;
FIG. 2 is a rear view thereof;
FIG. 3 is a top plan view thereof;
FIG. 4 is a bottom plan view thereof;
FIG. 5 is a left side view thereof;
FIG. 6 is a right side view thereof; and,
FIG. 7 is a perspective view thereof.

1 Claim, 6 Drawing Sheets

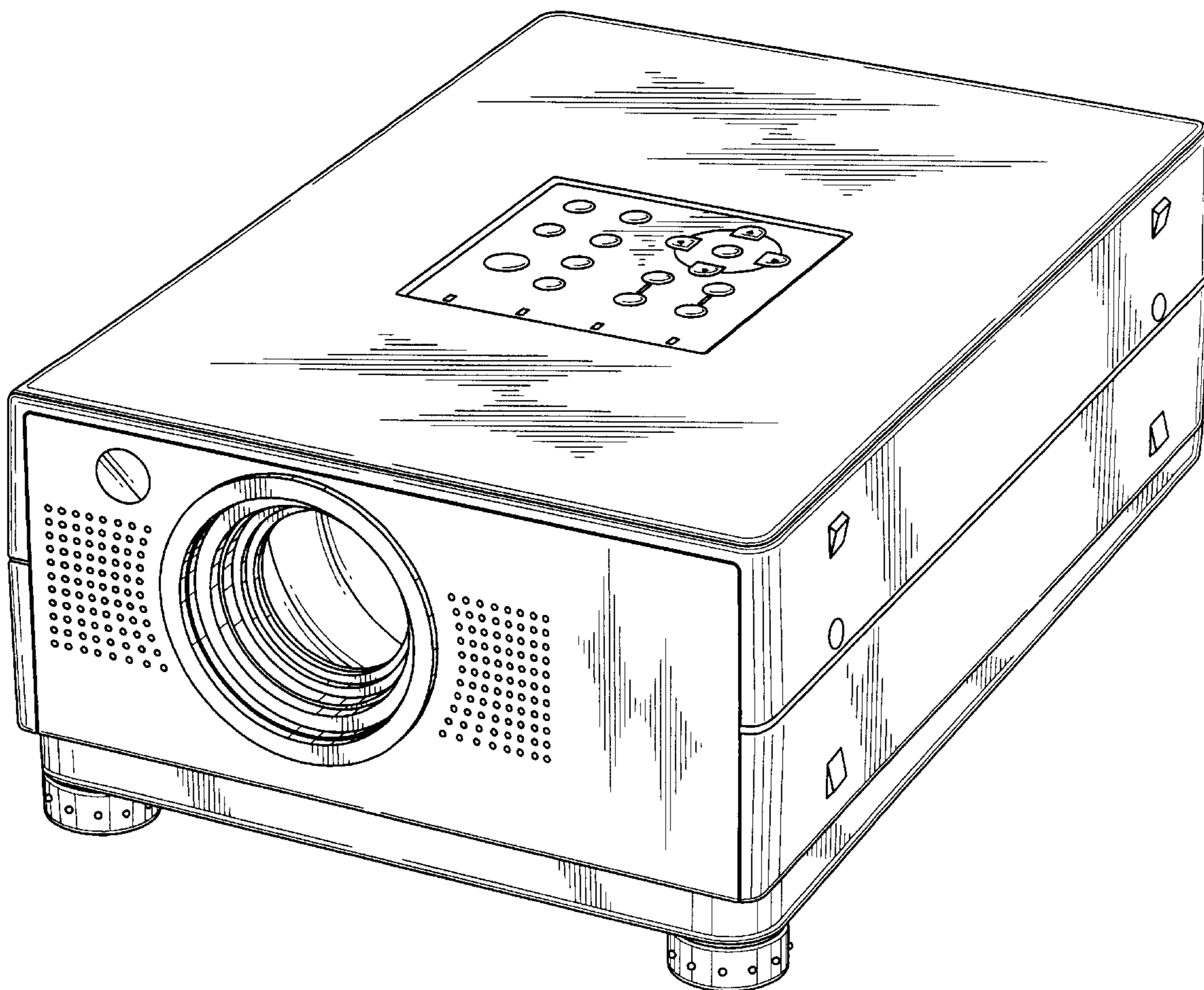


FIG. 1

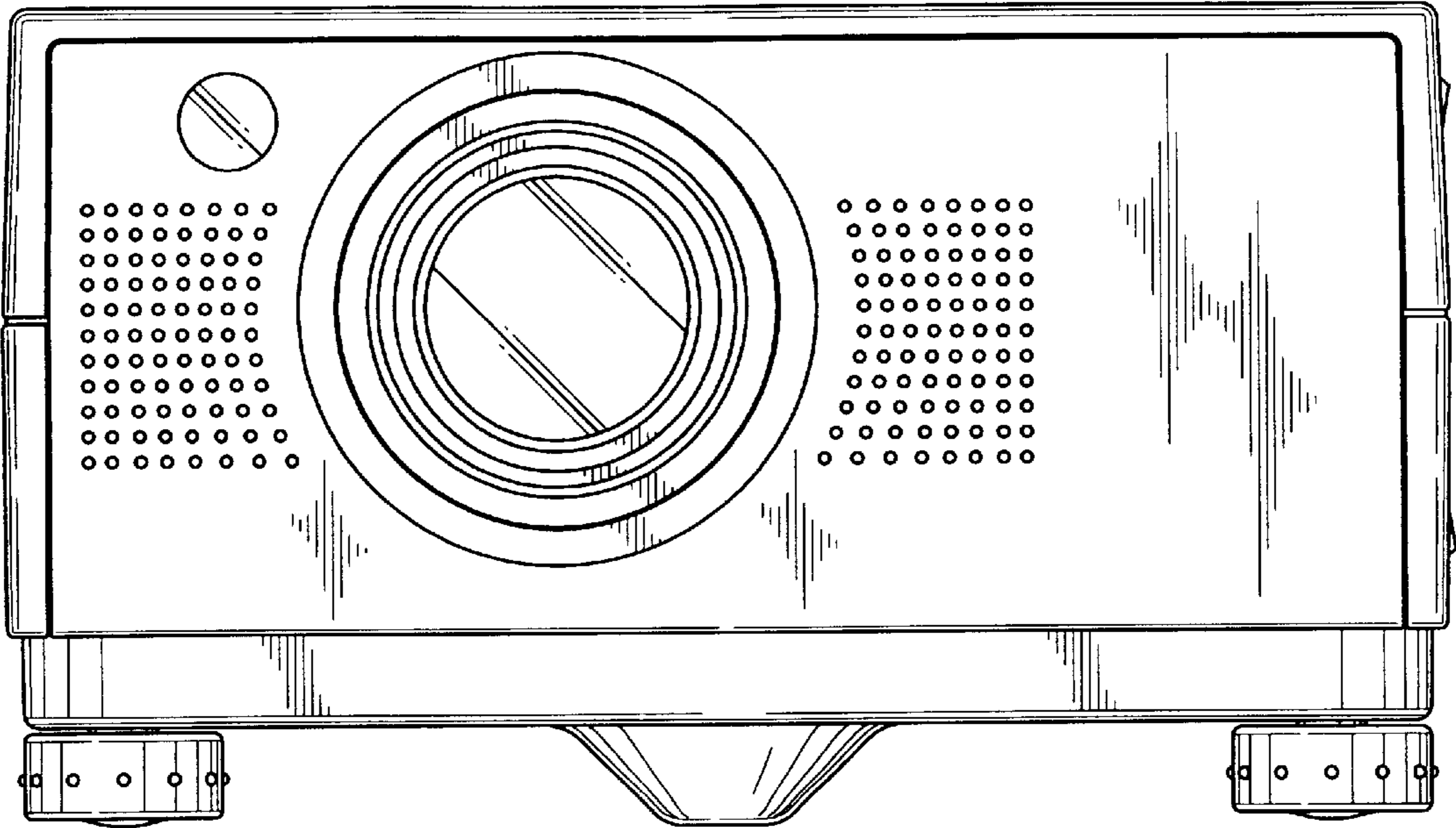


FIG. 2

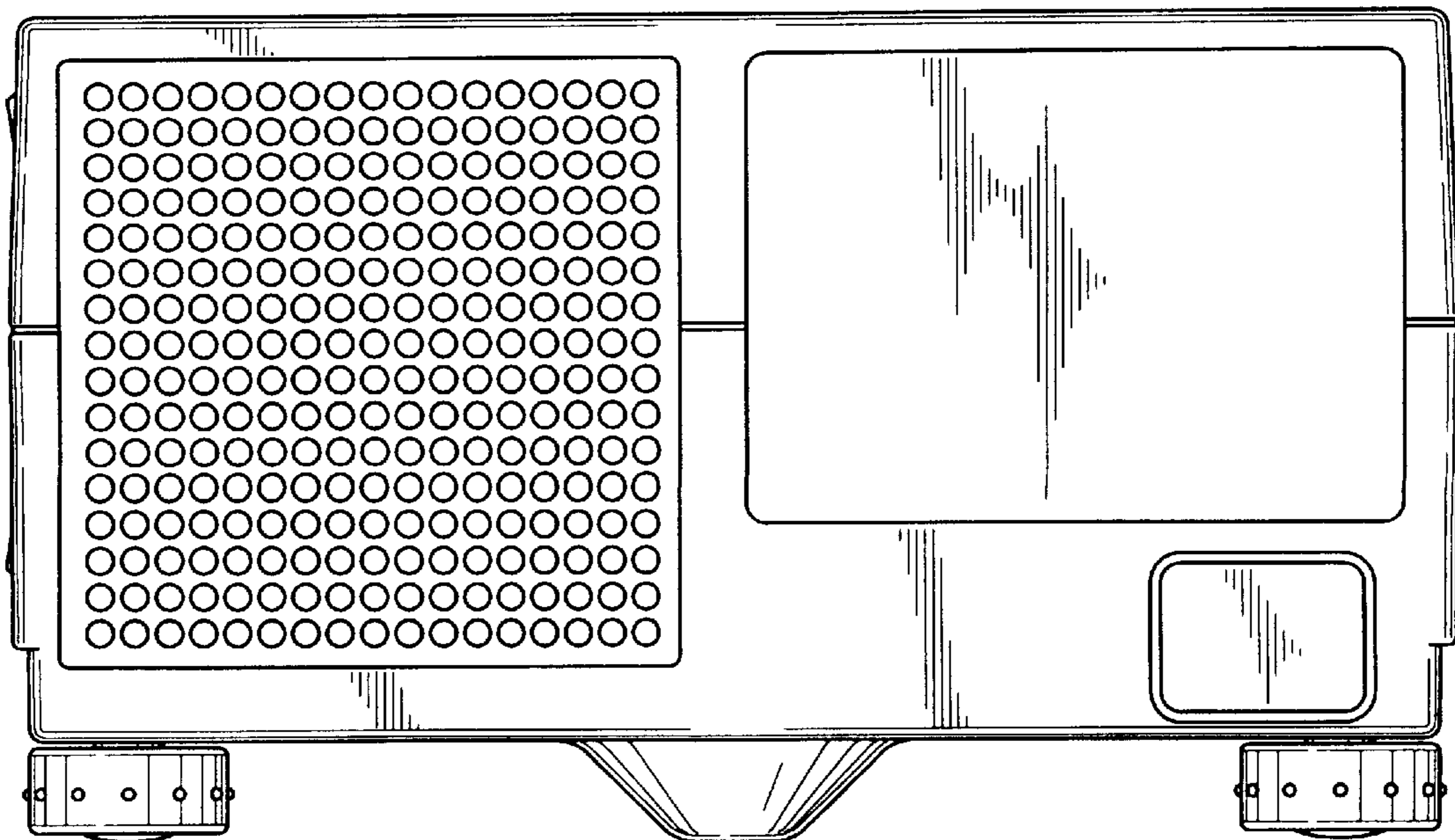


FIG. 3

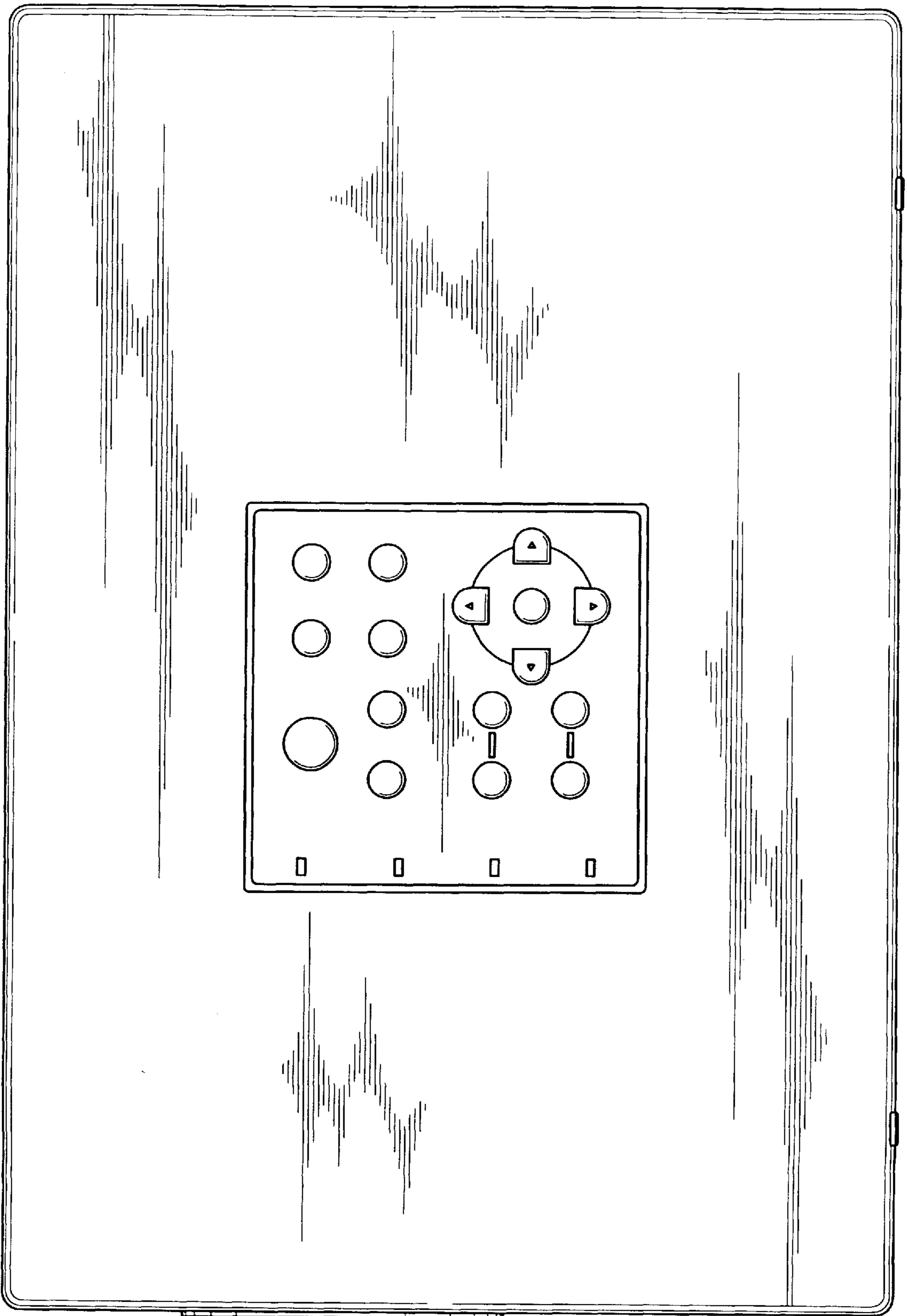


FIG. 4

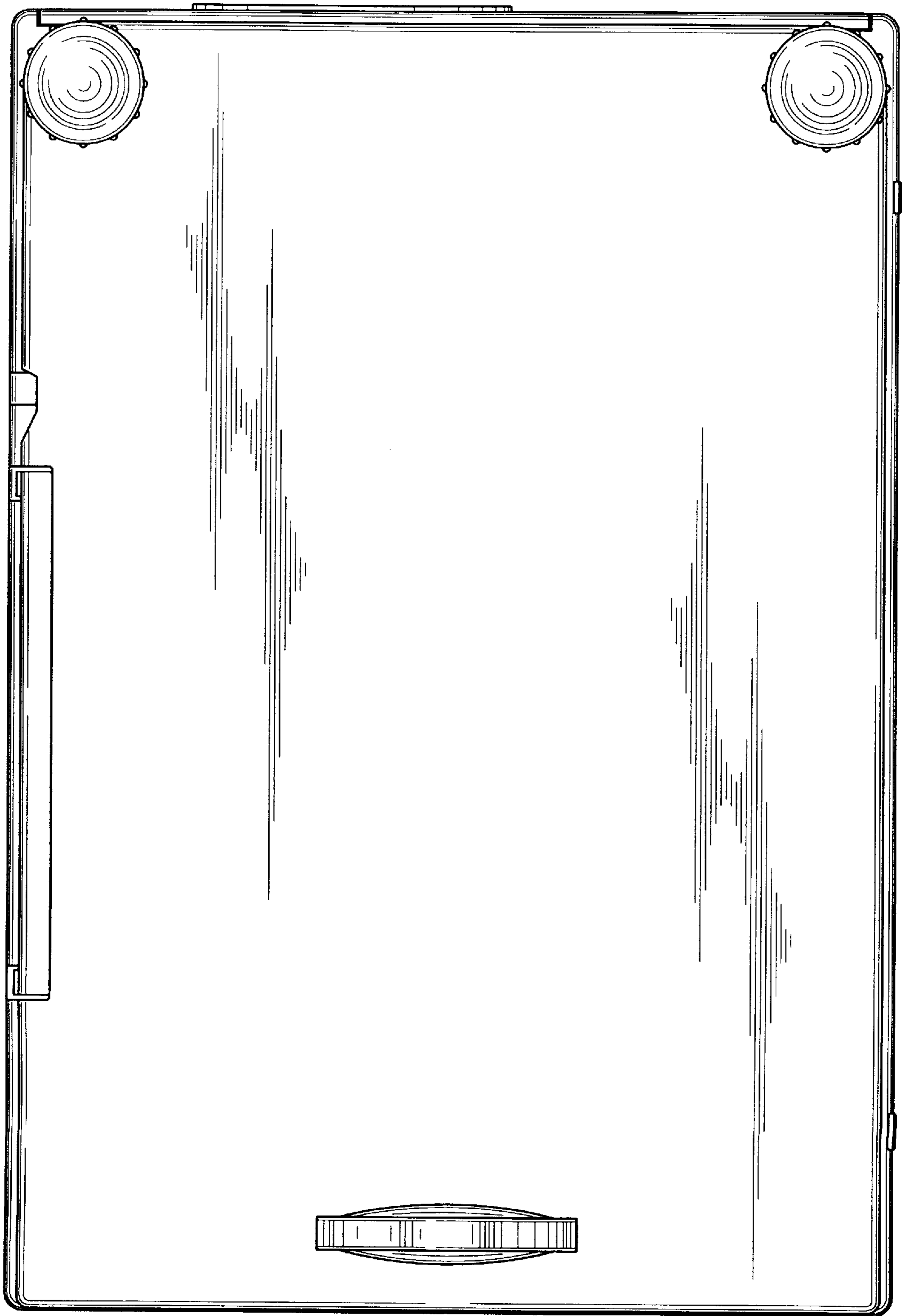


FIG. 5

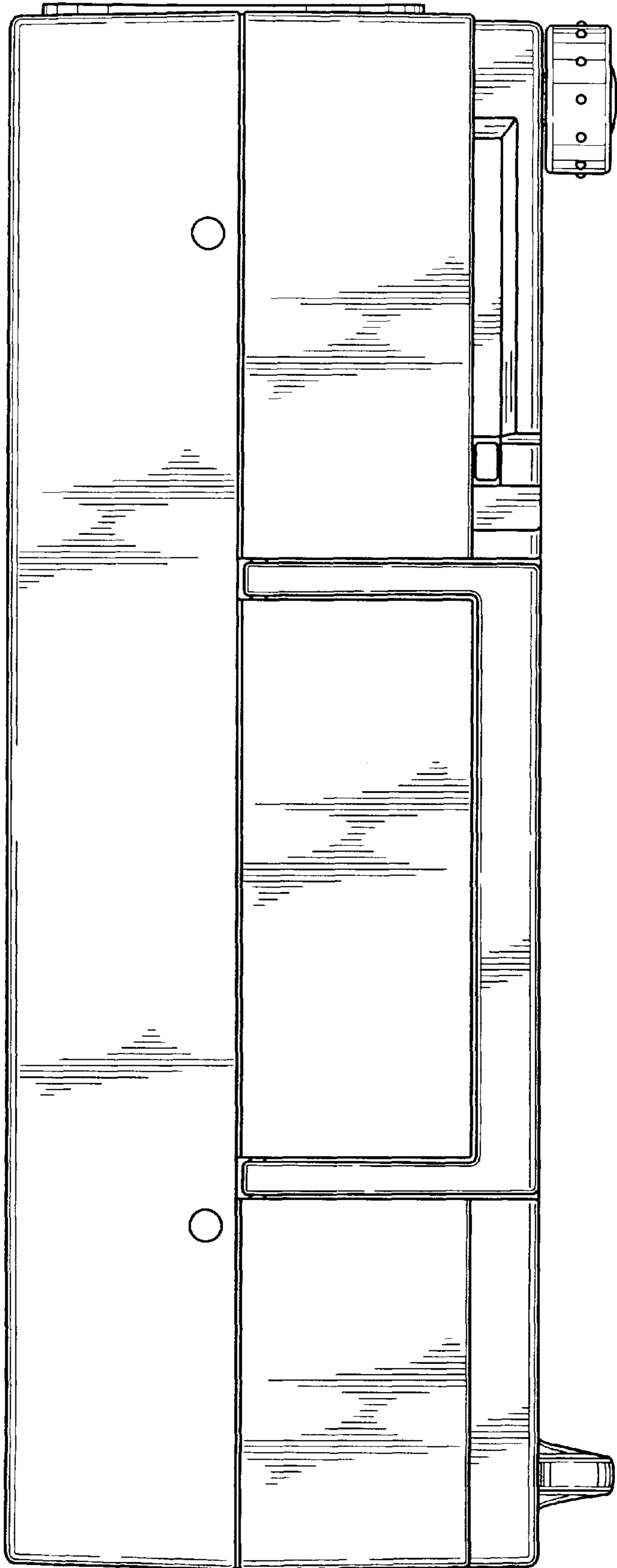
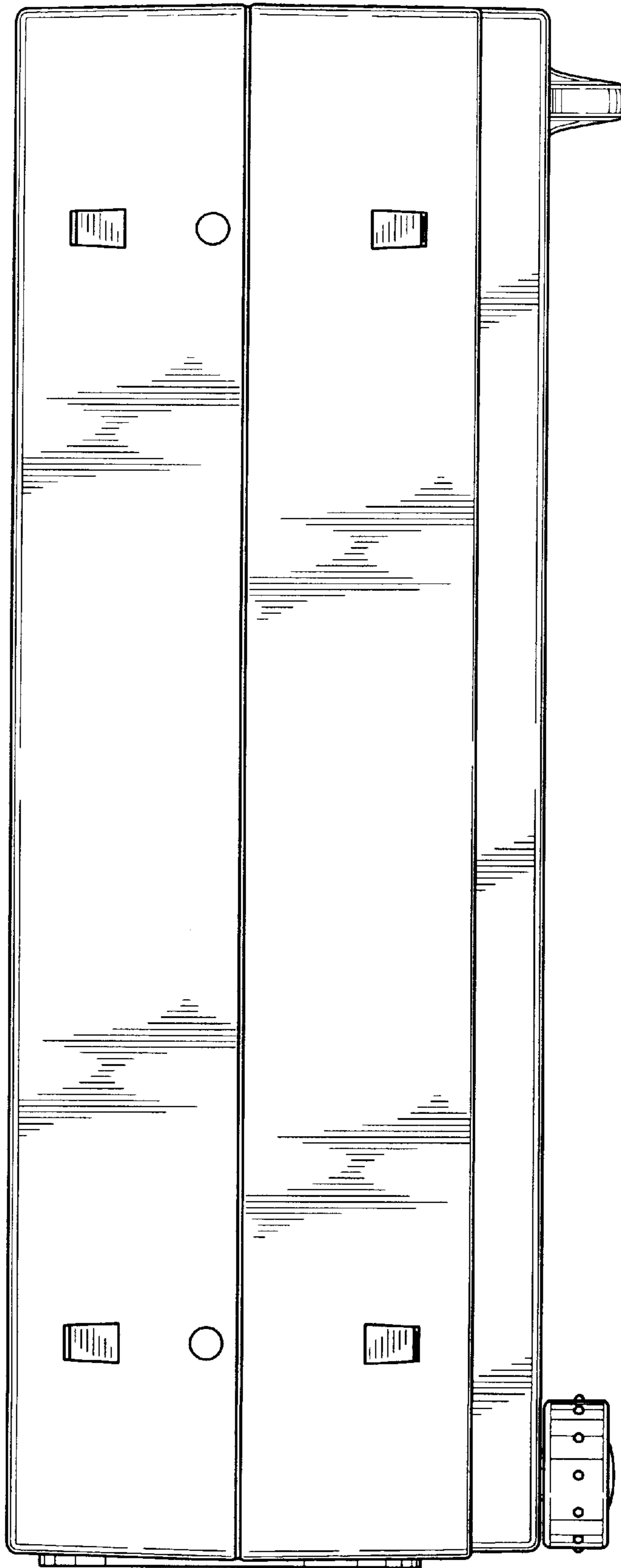


FIG. 6



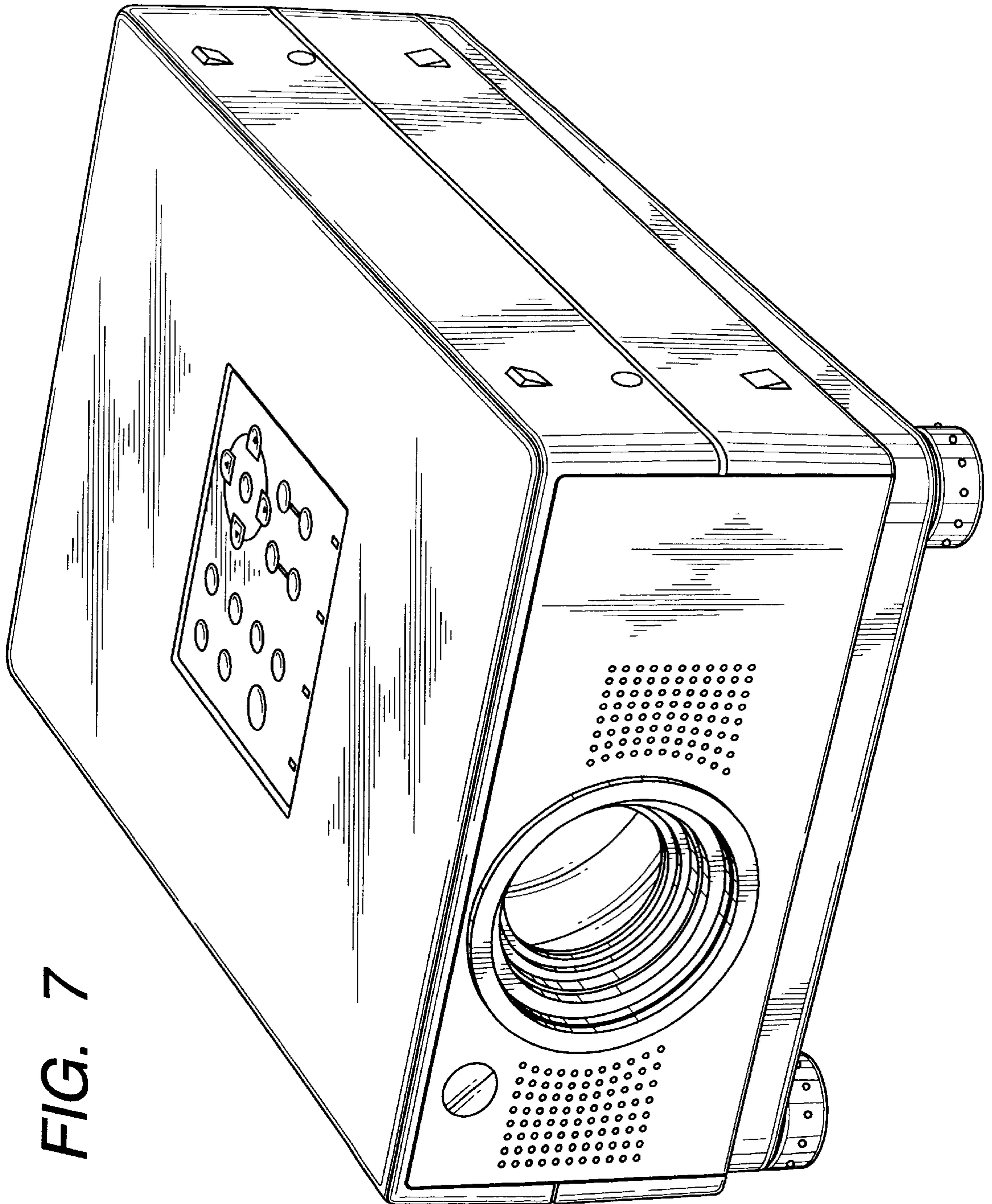


FIG. 7