



US00D422000S

United States Patent [19] Katayama

[11] **Patent Number: Des. 422,000**

[45] **Date of Patent: ** Mar. 28, 2000**

[54] **ELECTRIC STILL CAMERA**

[75] Inventor: **Noriko Katayama**, Tokyo, Japan

[73] Assignee: **Fuji Photo Film Co., Ltd.**, Kanagawa, Japan

[**] Term: **14 Years**

[21] Appl. No.: **29/100,755**

[22] Filed: **Feb. 17, 1999**

[30] **Foreign Application Priority Data**

Aug. 17, 1998 [JP] Japan 10-23566

[51] **LOC (6) Cl.** **16-01**

[52] **U.S. Cl.** **D16/202; D16/218**

[58] **Field of Search** D16/200-205,
D16/208, 209, 216-218; 348/373-376;
358/906, 909.1; 396/535-541

[56] **References Cited**

U.S. PATENT DOCUMENTS

D. 392,659 3/1998 Takano D16/202
D. 397,347 8/1998 Katayama D16/202

D. 409,640 5/1999 Funato D16/202
D. 413,613 9/1999 Katayama D16/202
4,456,931 6/1984 Toyoda et al. 358/906

FOREIGN PATENT DOCUMENTS

08205014 8/1996 Japan H04N 5/225

Primary Examiner—Adir Aronovich
Attorney, Agent, or Firm—Young & Thompson

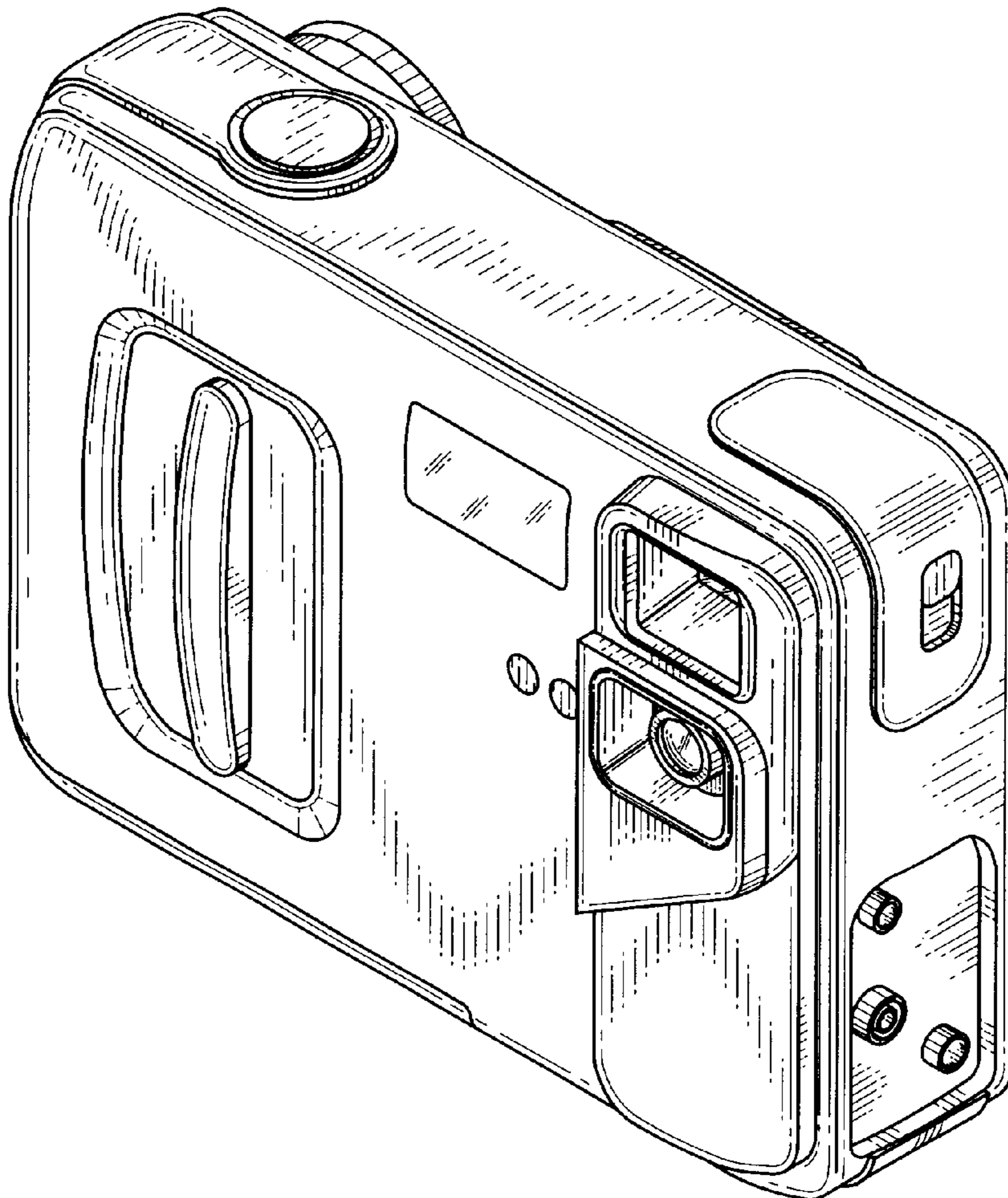
[57] **CLAIM**

The ornamental design for an electric still camera, as shown.

DESCRIPTION

FIG. 1 is a top, front and side perspective view of an electric still camera showing my new design; FIG. 2 is a front elevational view thereof; FIG. 3 is a rear elevational view thereof; FIG. 4 is a top plan view thereof; FIG. 5 is a bottom plan view thereof; FIG. 6 is a side elevational view thereof from the right of FIG. 2; and, FIG. 7 is a side elevational view thereof from the left of FIG. 2.

1 Claim, 3 Drawing Sheets



F I G . 1

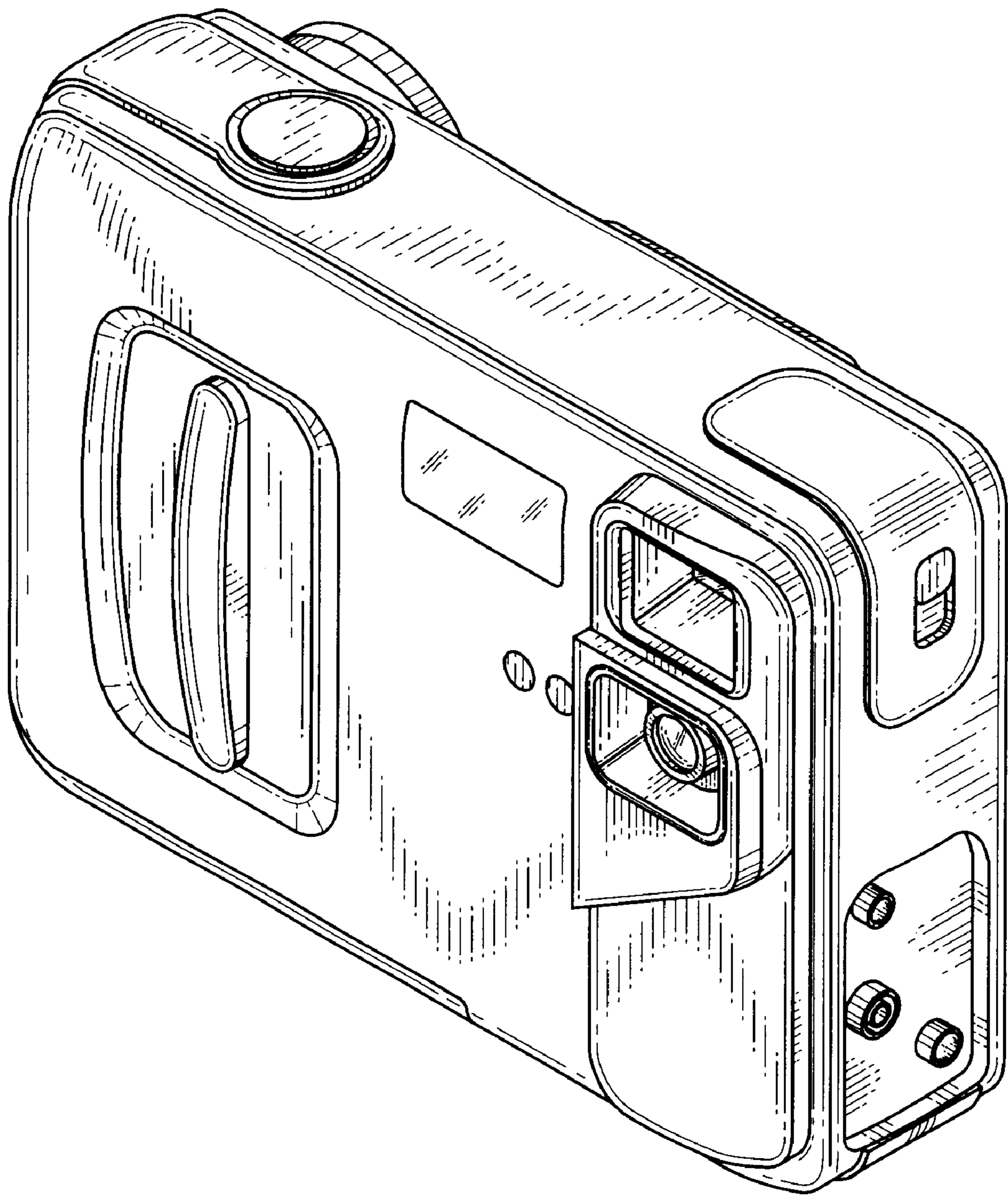


FIG. 2

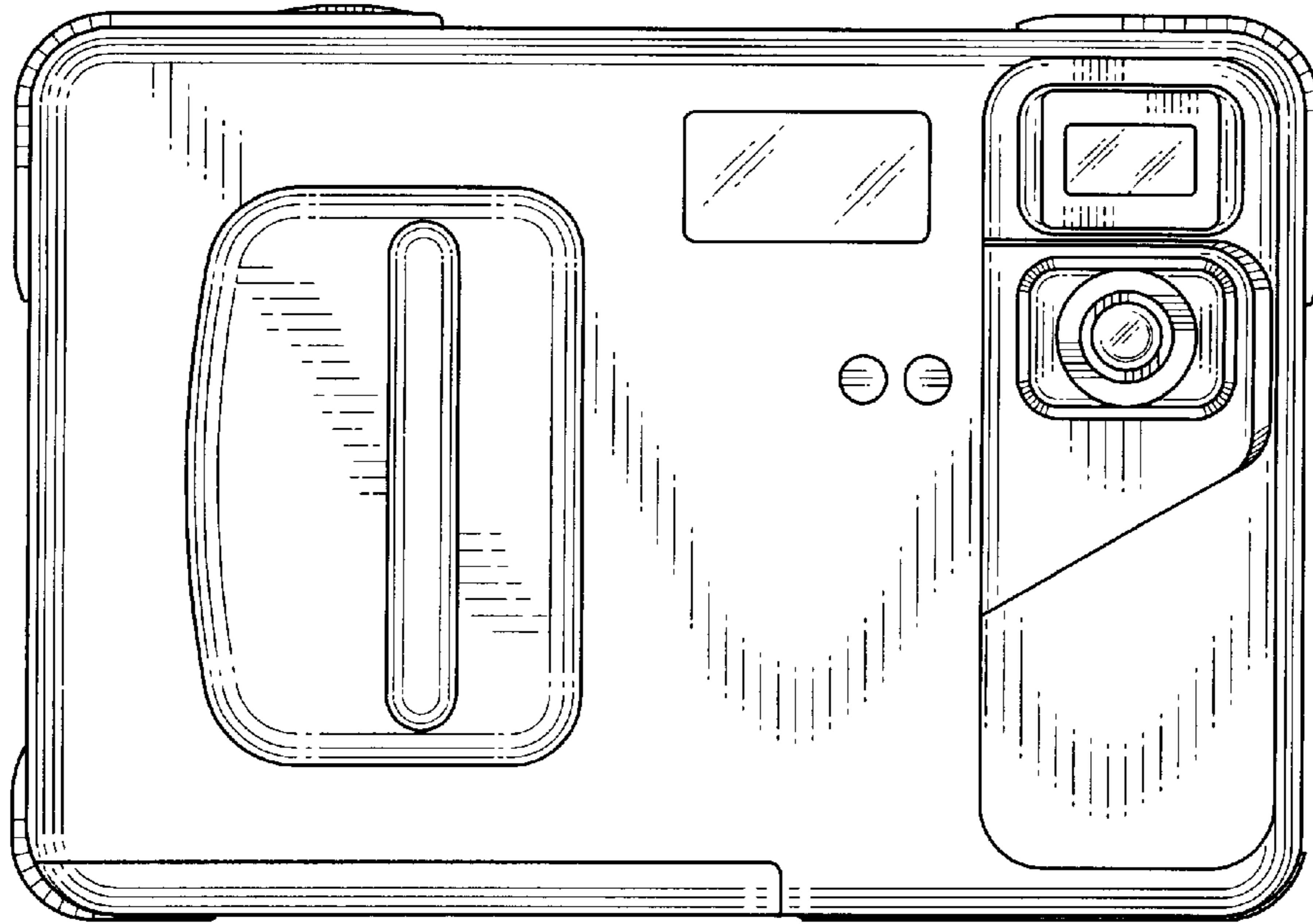


FIG. 3

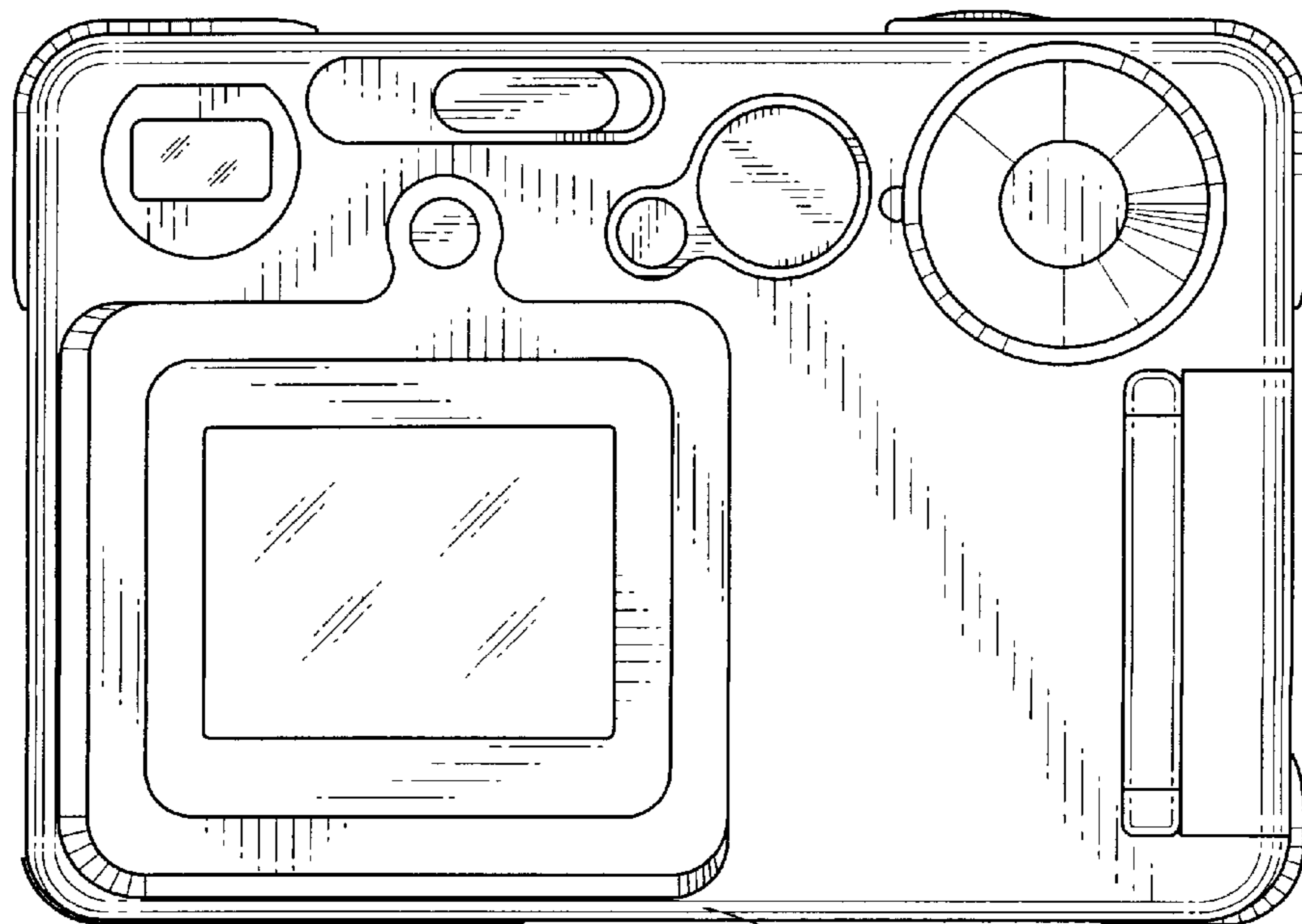


FIG. 4

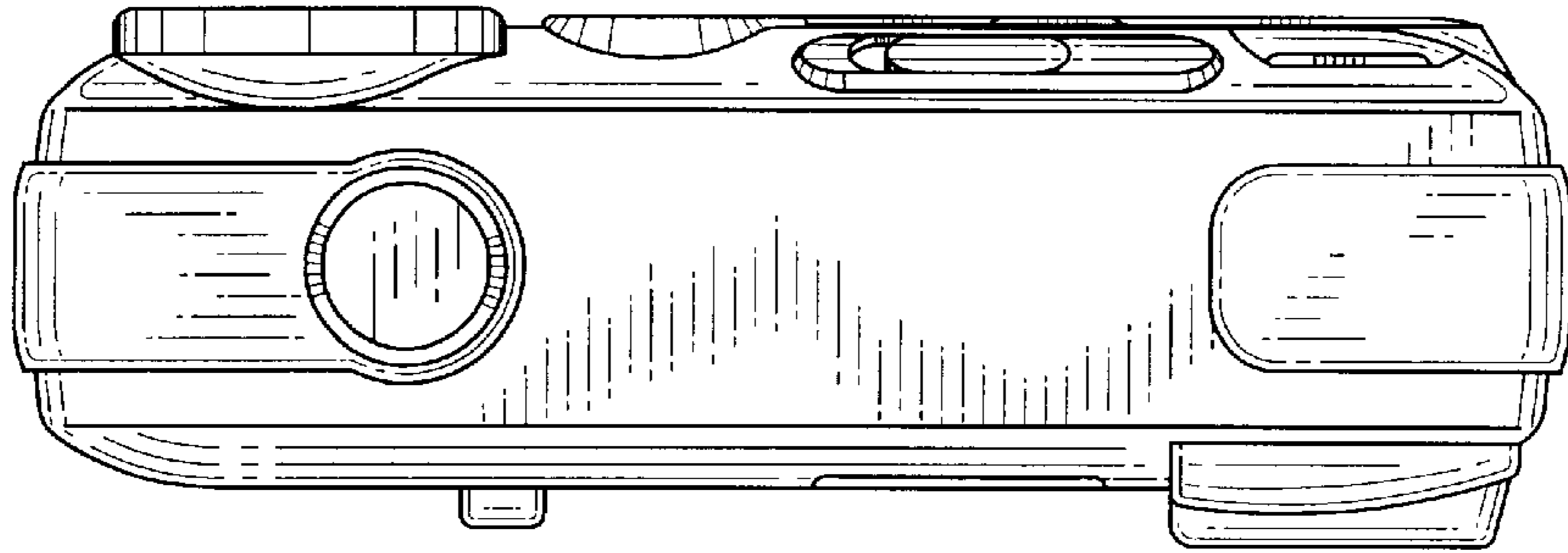


FIG. 5

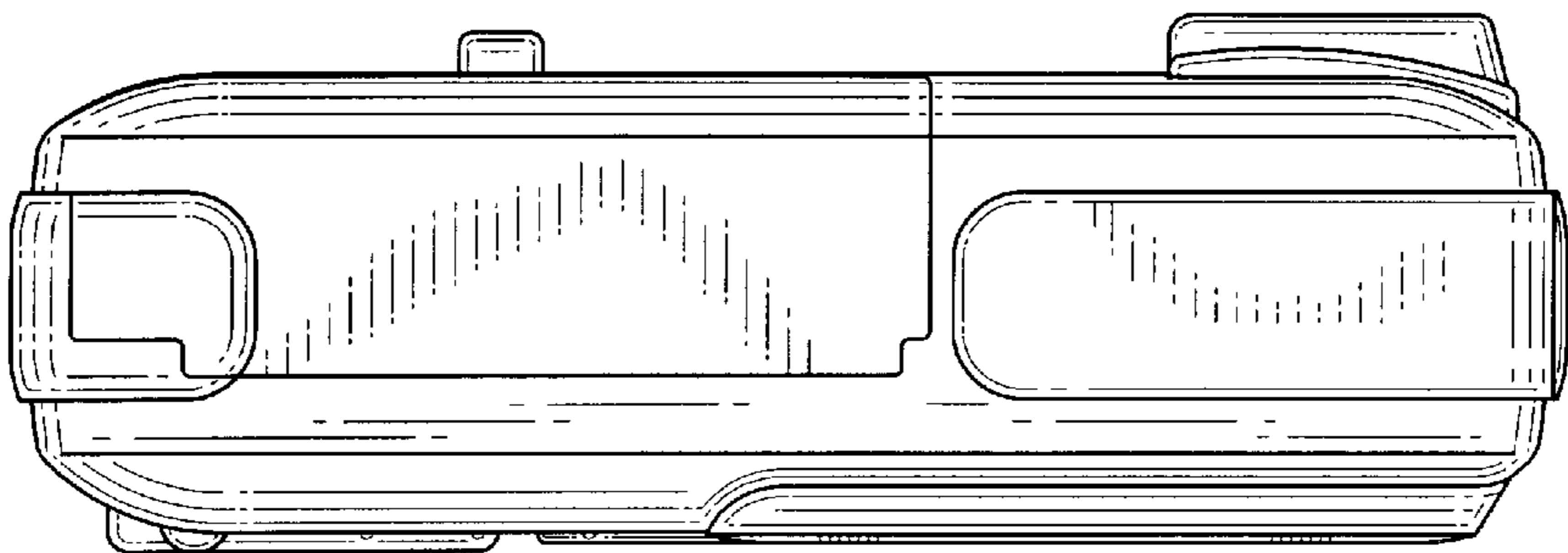


FIG. 7

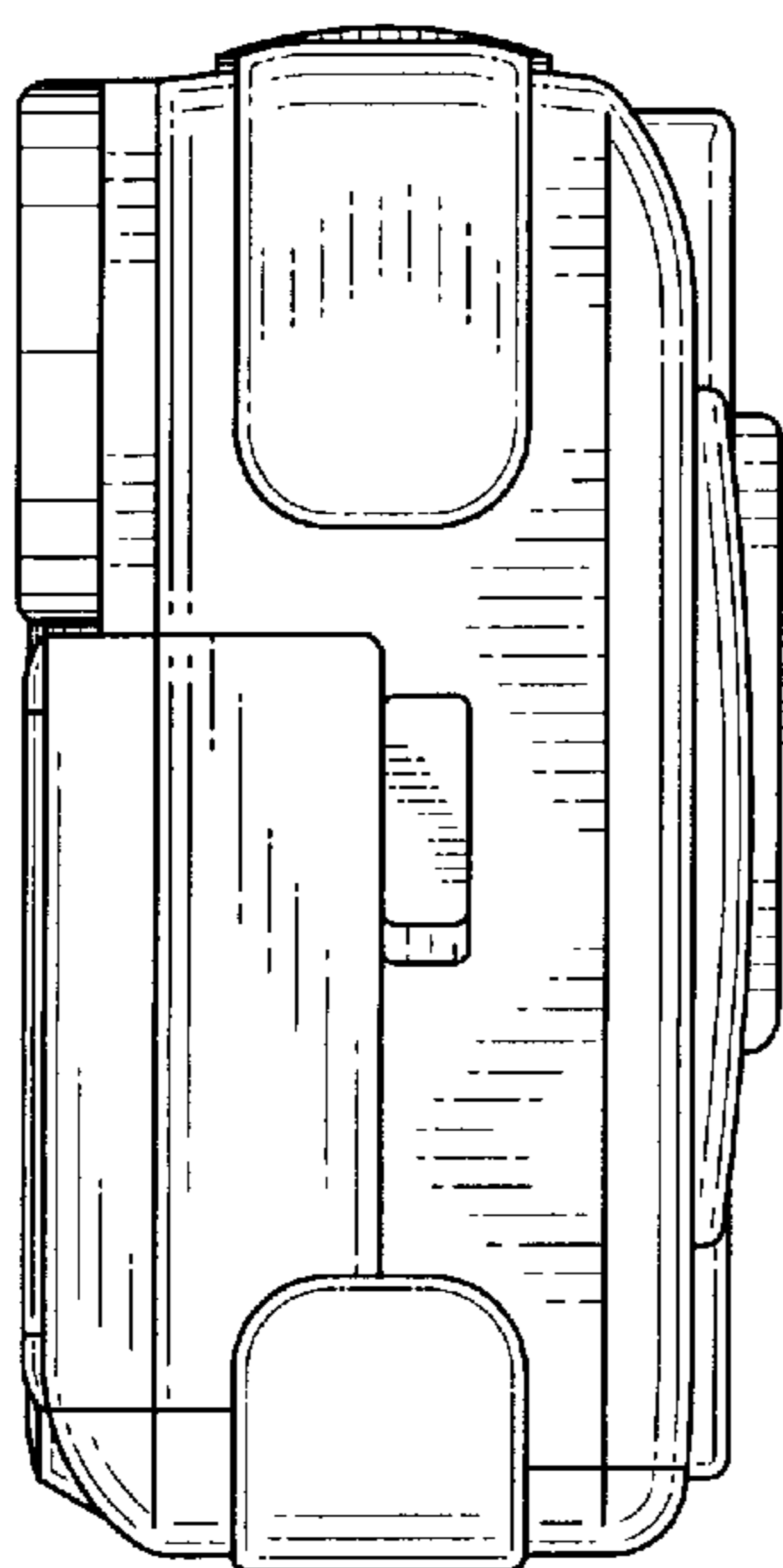


FIG. 6

