



US00D421999S

United States Patent [19]
Wilcoxson

[11] **Patent Number: Des. 421,999**
[45] **Date of Patent: ** Mar. 28, 2000**

[54] **SHELL COLLECTION AND EXAMINATION DEVICE**

[76] Inventor: **Ronald M. Wilcoxson**, 7100
Chippenham Rd., Louisville, Ky. 40222

[**] Term: **14 Years**

[21] Appl. No.: **29/101,903**

[22] Filed: **Mar. 12, 1999**

[51] **LOC (6) Cl.** **16-06**

[52] **U.S. Cl.** **D16/135**

[58] **Field of Search** D16/130, 134,
D16/135, 136; 359/807, 808, 809, 810,
800, 422; D3/6, 7; 135/20.1, 65, 72; D2/641,
642, 979; 223/118; D28/55, 64.3; D21/735;
473/238

[56] **References Cited**

U.S. PATENT DOCUMENTS

D. 163,373	5/1951	Corta	D16/135
D. 178,828	9/1956	Conradi	D2/642
D. 222,207	10/1971	Blum .	
D. 226,203	1/1973	Gibbs et al.	D21/735
D. 230,100	1/1974	Hornbeck	D28/55
D. 263,721	4/1982	Miller	D16/135 X
D. 265,964	8/1982	Henkels	D16/135 X
D. 303,977	10/1989	Steel et al.	D16/135
D. 307,665	5/1990	Pressley	D3/6
D. 330,630	11/1992	Loden .	

D. 391,073	2/1998	Starks .	
1,806,422	5/1931	Shaen	359/442
2,172,597	9/1939	Simpson	359/809
2,435,741	2/1948	Fleenor	359/807
2,597,400	5/1952	Stogsdill et al. .	
3,179,436	4/1965	Choy .	
3,456,663	7/1969	Blum .	
3,467,116	9/1969	Ringewaldt .	
3,510,204	5/1970	Jack	359/810
5,176,160	1/1993	Osborn .	

Primary Examiner—Paula A. Mortimer
Attorney, Agent, or Firm—Carrithers Law Office; David W. Carrithers

[57] **CLAIM**

The ornamental design for a shell collection and examination device, as shown and described.

DESCRIPTION

FIG. 1 is a perspective view of a shell collection and examination device showing my new design; FIG. 2 is a front end view thereof; FIG. 3 is a left side view thereof; FIG. 4 is a rear end view thereof; FIG. 5 is a top plan view thereof; FIG. 6 is a bottom plan view thereof; and, FIG. 7 is an exploded perspective view thereof. The broken line showing a walking stick is for illustrative purposes only and forms no part of the claimed design.

1 Claim, 4 Drawing Sheets

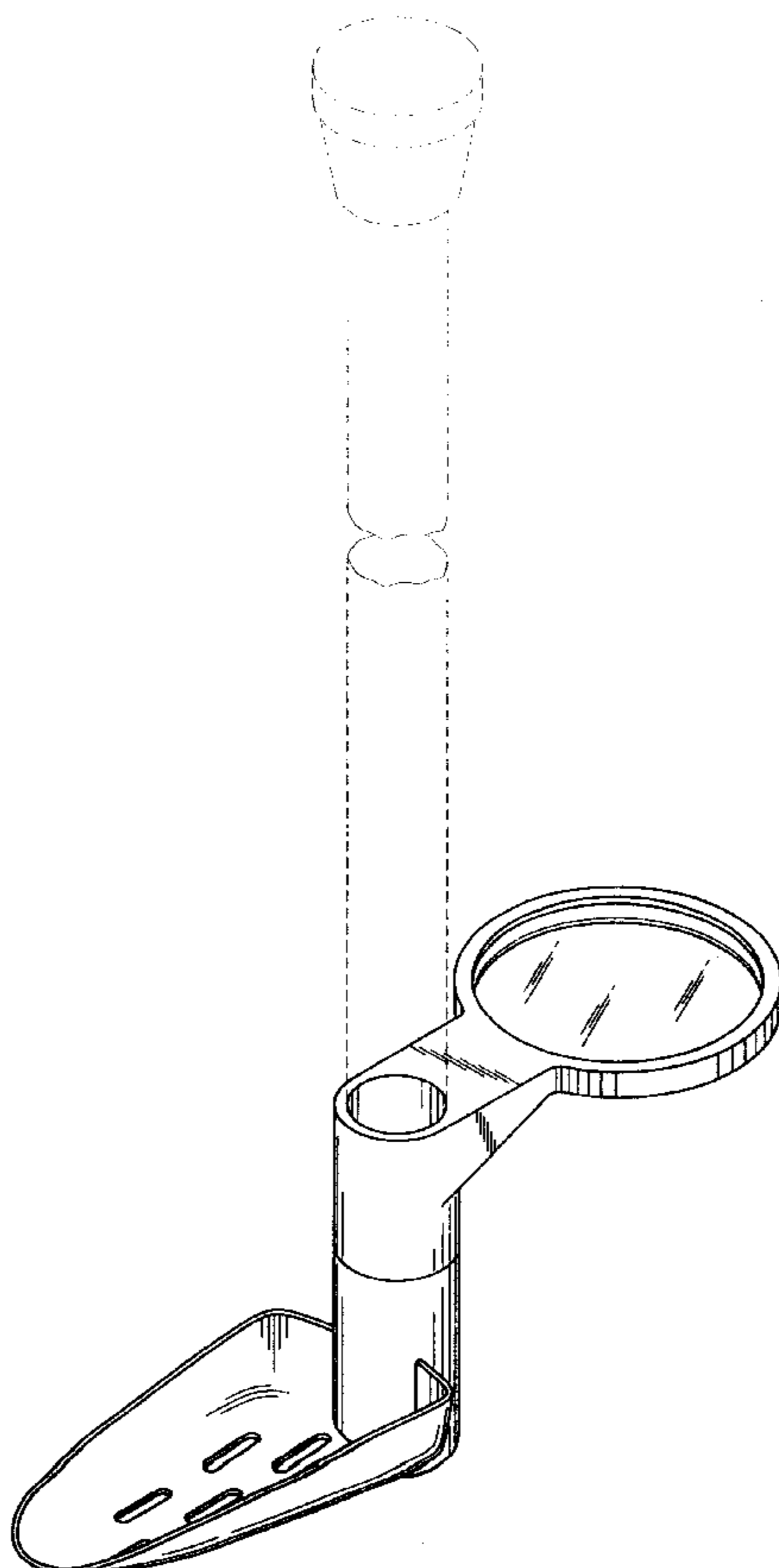


FIG. 1

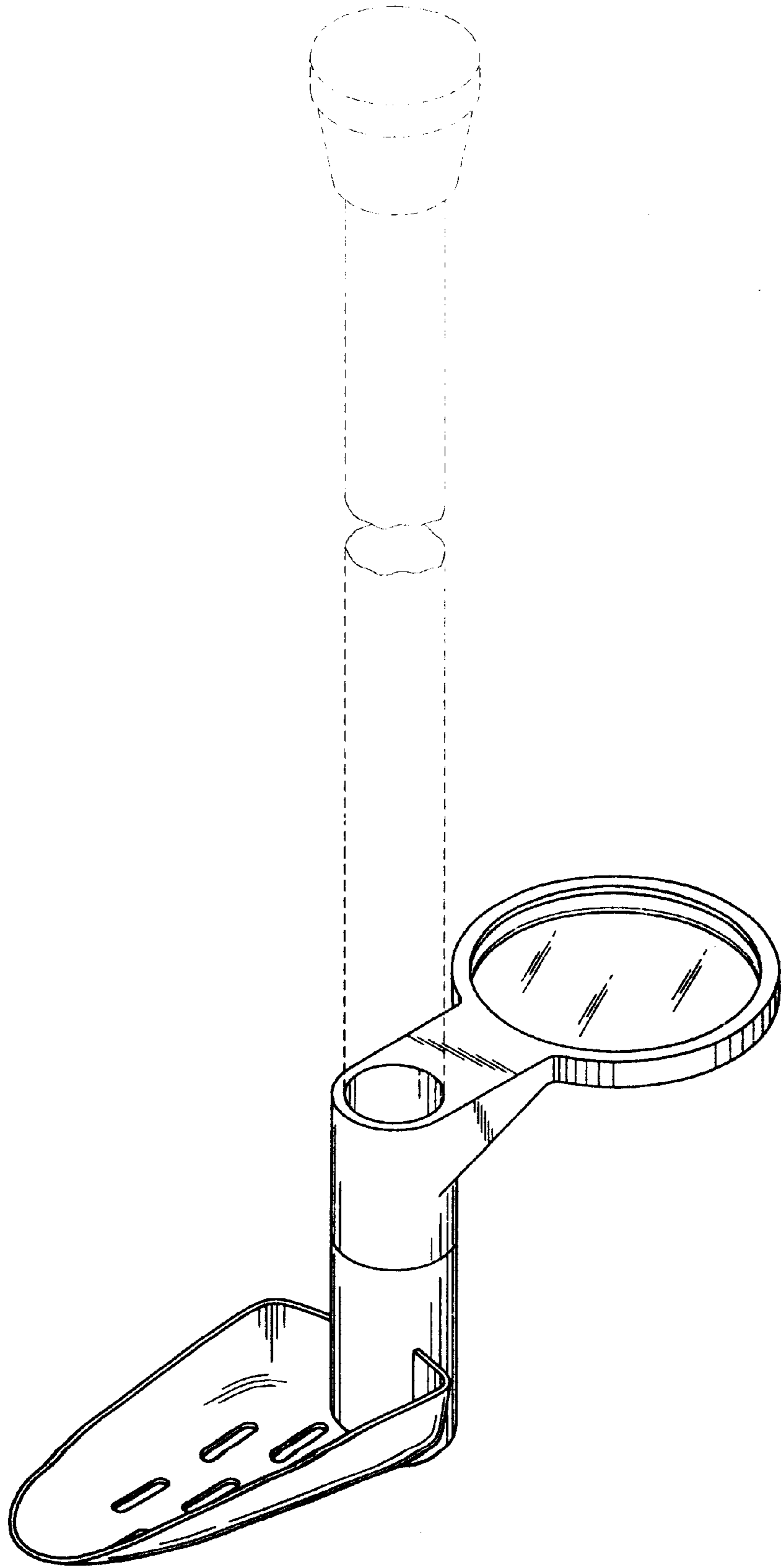


FIG. 2

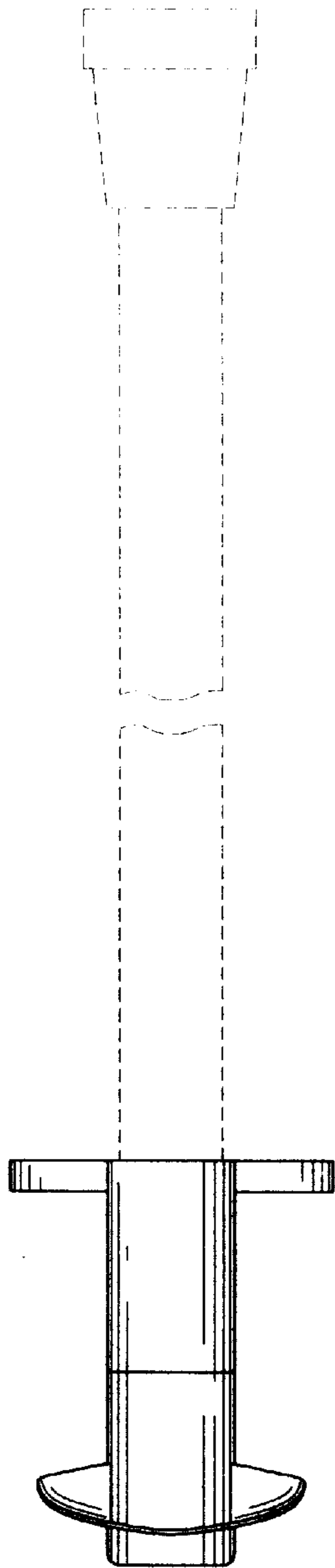


FIG. 3

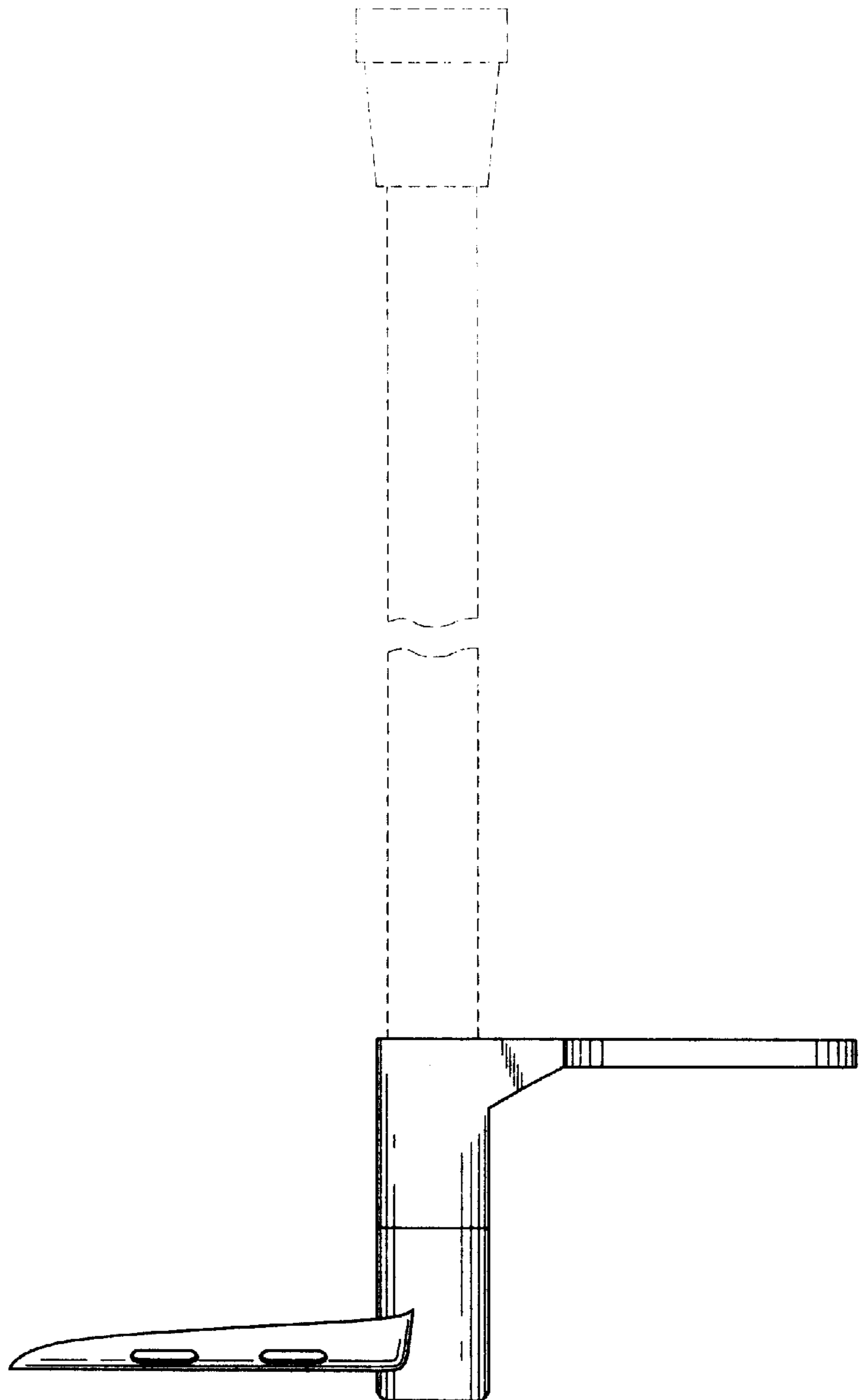


FIG. 4

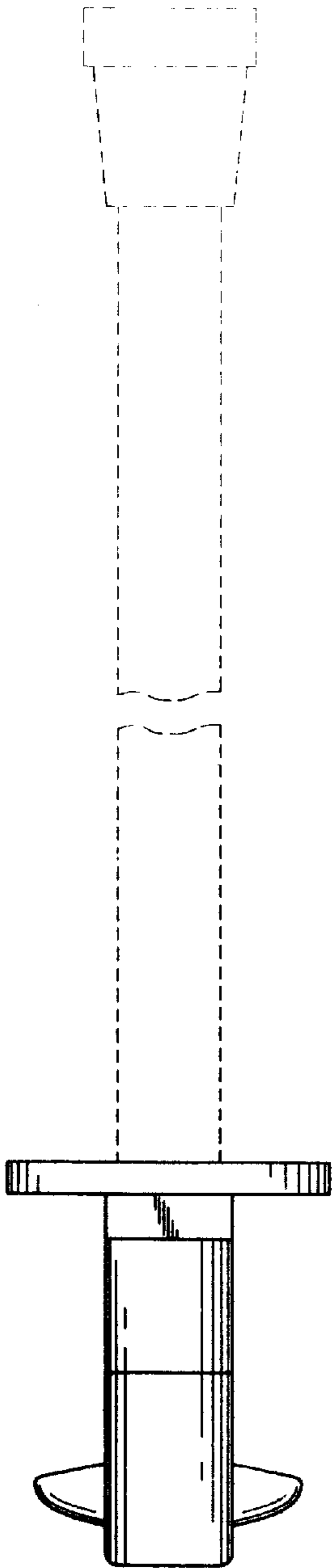


FIG. 5

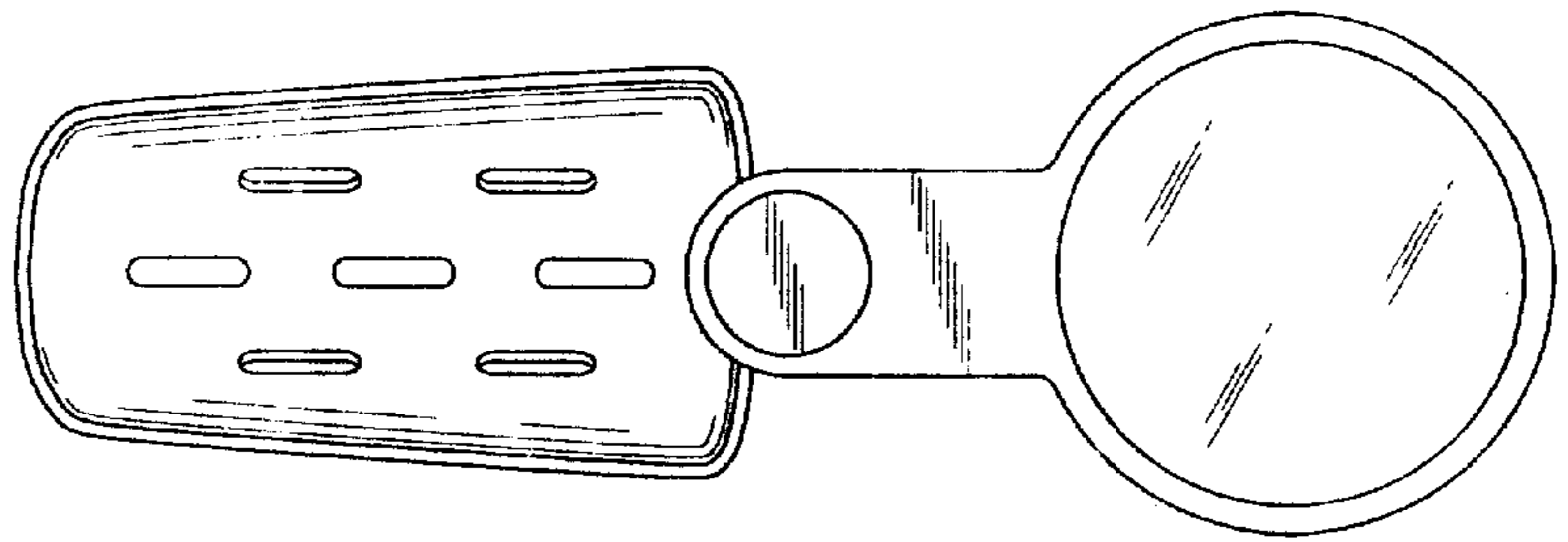


FIG. 6

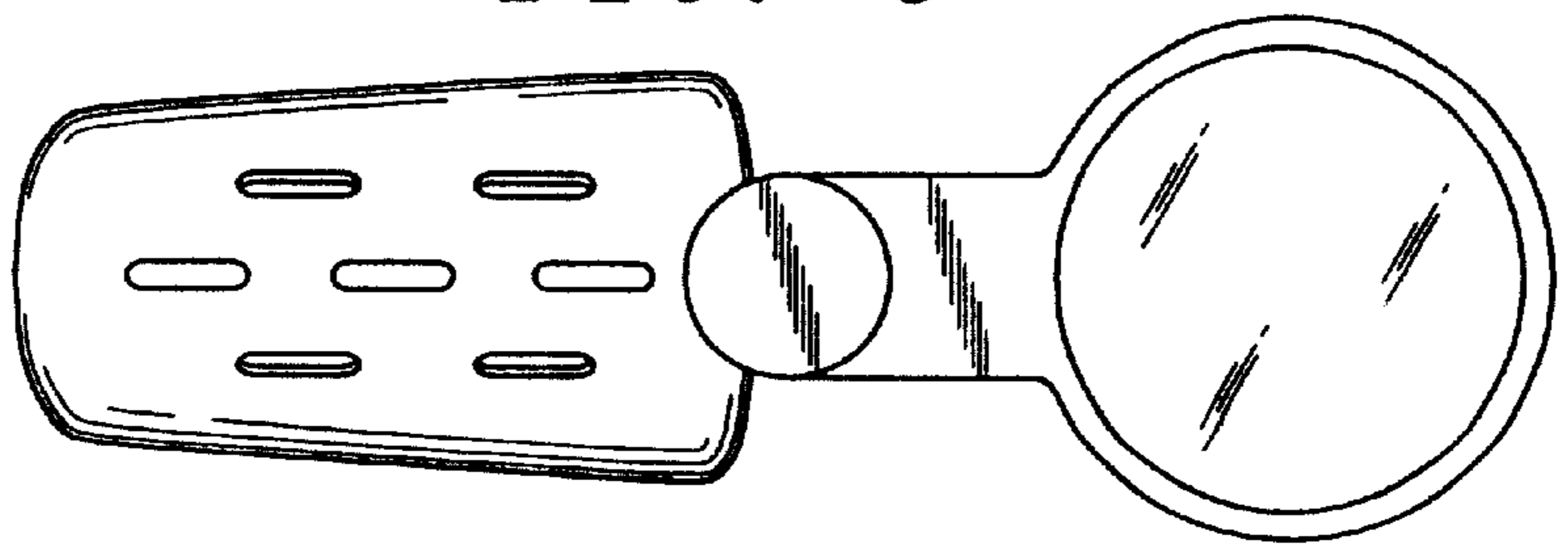


FIG. 7

