



US00D421996S

# United States Patent [19] Welsh

[11] **Patent Number: Des. 421,996**  
[45] **Date of Patent: \*\* Mar. 28, 2000**

[54] **TOP ASSEMBLY FOR A PLANER**

D. 326,667 6/1992 Juang ..... D15/127

[75] Inventor: **Robert P. Welsh**, Hunt Valley, Md.

### OTHER PUBLICATIONS

Forms and Surfaces; HH9322; Nov. 13, 1986.

[73] Assignee: **Black & Decker Inc.**, Newark, Del.

*Primary Examiner*—Antoine Duval Davis  
*Attorney, Agent, or Firm*—Adan Ayala

[\*\*] Term: **14 Years**

[21] Appl. No.: **29/100,427**

### [57] CLAIM

[22] Filed: **Feb. 10, 1999**

The ornamental design for a top assembly for a planer, as shown and described.

### Related U.S. Application Data

### DESCRIPTION

[63] Continuation of application No. 29/093,569, Sep. 14, 1998, which is a continuation of application No. 29/088,229, May 19, 1998, which is a continuation of application No. 29/081,850, Dec. 15, 1997, Pat. No. Des. 397,122, which is a continuation of application No. 29/065,049, Jan. 17, 1997, Pat. No. Des. 395,320, which is a continuation of application No. 29/062,168, Nov. 8, 1996, Pat. No. Des. 387,070.

FIG. 1 is a left side perspective view from the front of a planer showing my new design;  
FIG. 2 is a rear elevational view of my new design;  
FIG. 3 is a front elevational view of my new design;  
FIG. 4 is a left elevational view of my new design; and  
FIG. 5 is a right elevational view of my new design; and,  
FIG. 6 is a top plan view of my new design.

[51] **LOC (6) Cl.** ..... **15-09**

[52] **U.S. Cl.** ..... **D15/133**

[58] **Field of Search** ..... D15/124, 127;  
144/117.1, 114.1, 117 R, 114 R, 124-127 A,  
154.5, 129, 130, 218, 225, 228, 230, 242.5,  
245.1, 246.1, 250.2, 253.2, 252.1, 375;  
408/115, 181, 241.5; 606/79, 88, 172; 409/179,  
181

In the attached drawings, any broken line illustration is not part of the design sought to be patented. This design, however, is not limited to the exact details shown in the drawings, since equivalents and colorable imitations thereof will be evident to a person of ordinary skill in the art. Thus, within the scope of the appended claim, which is intended to cover only the ornamental and novel elements shown in the drawings, the invention may be practiced otherwise than as specifically shown and described herein.

### [56] References Cited

#### U.S. PATENT DOCUMENTS

D. 323,834 2/1992 Fushiya et al. .... D15/133

**1 Claim, 5 Drawing Sheets**

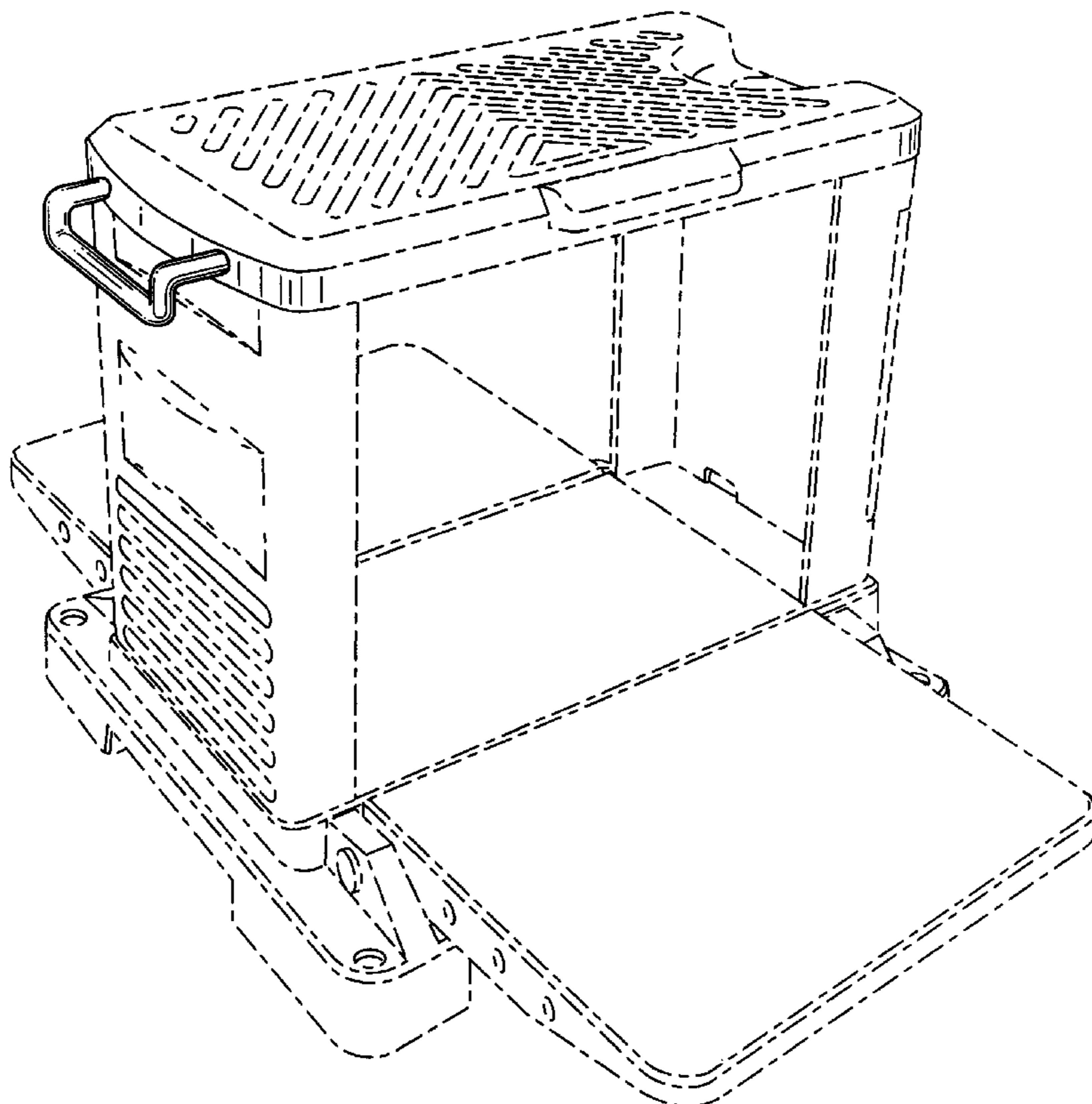


FIG. 1

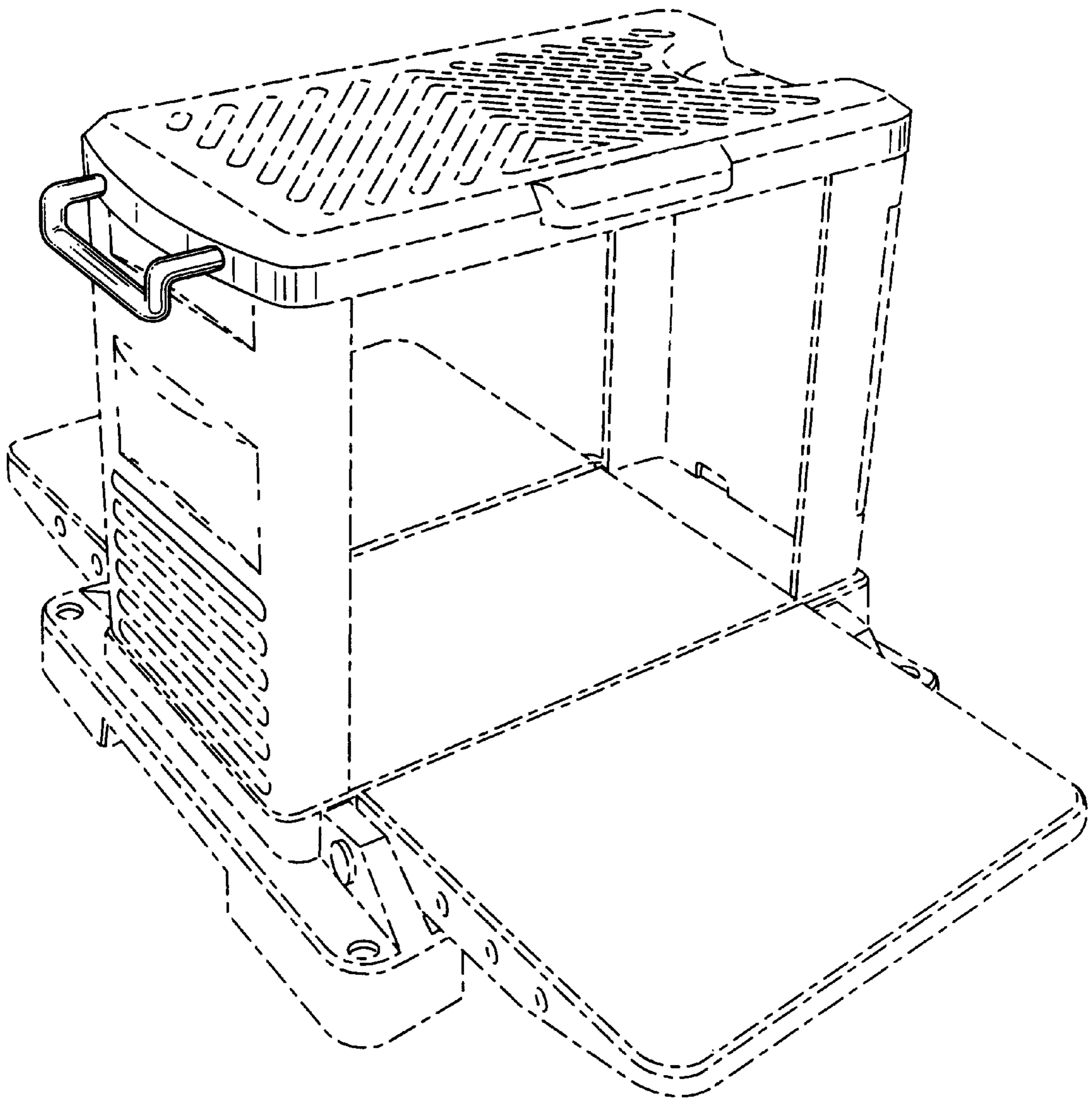


FIG. 2

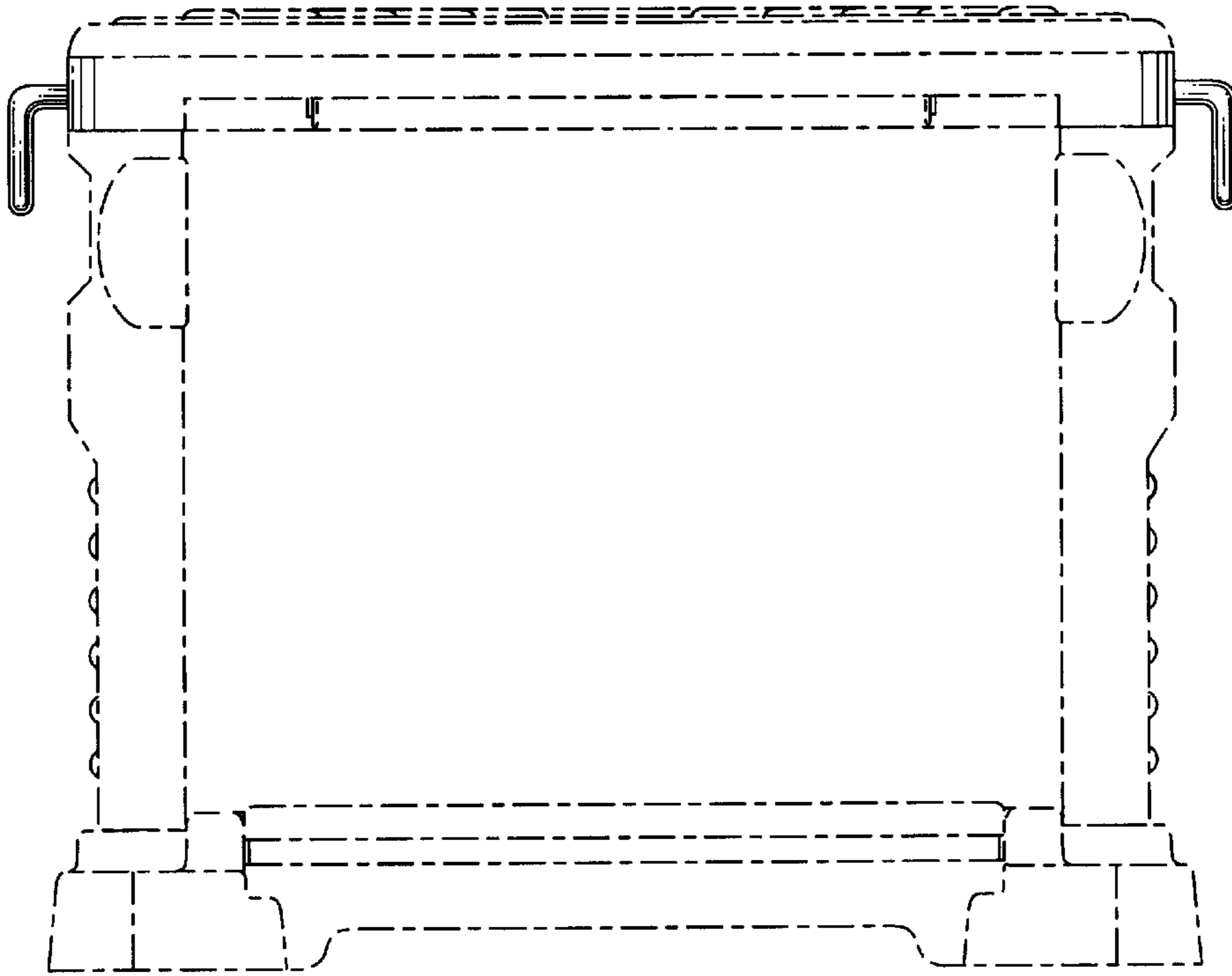


FIG. 3

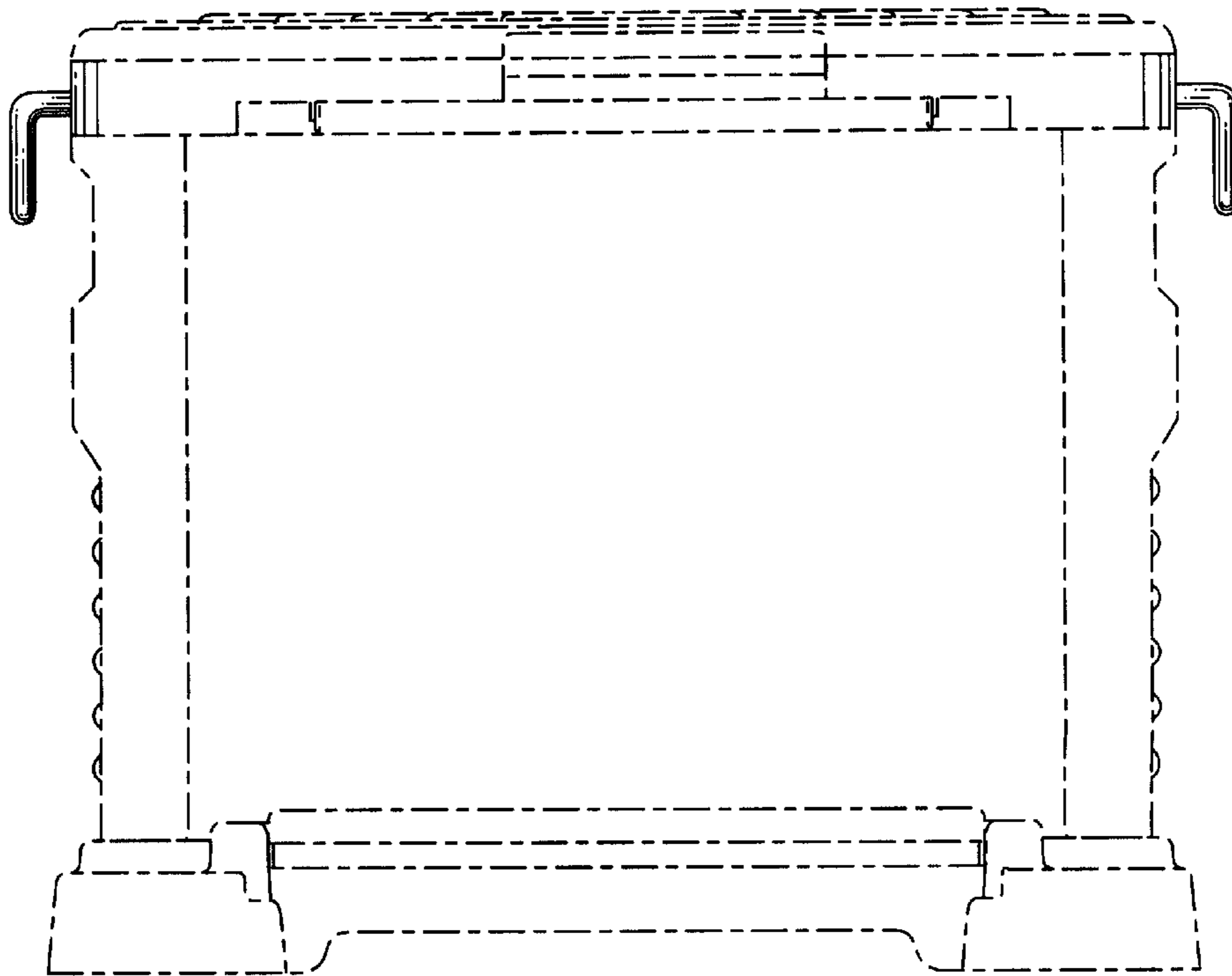


FIG. 4

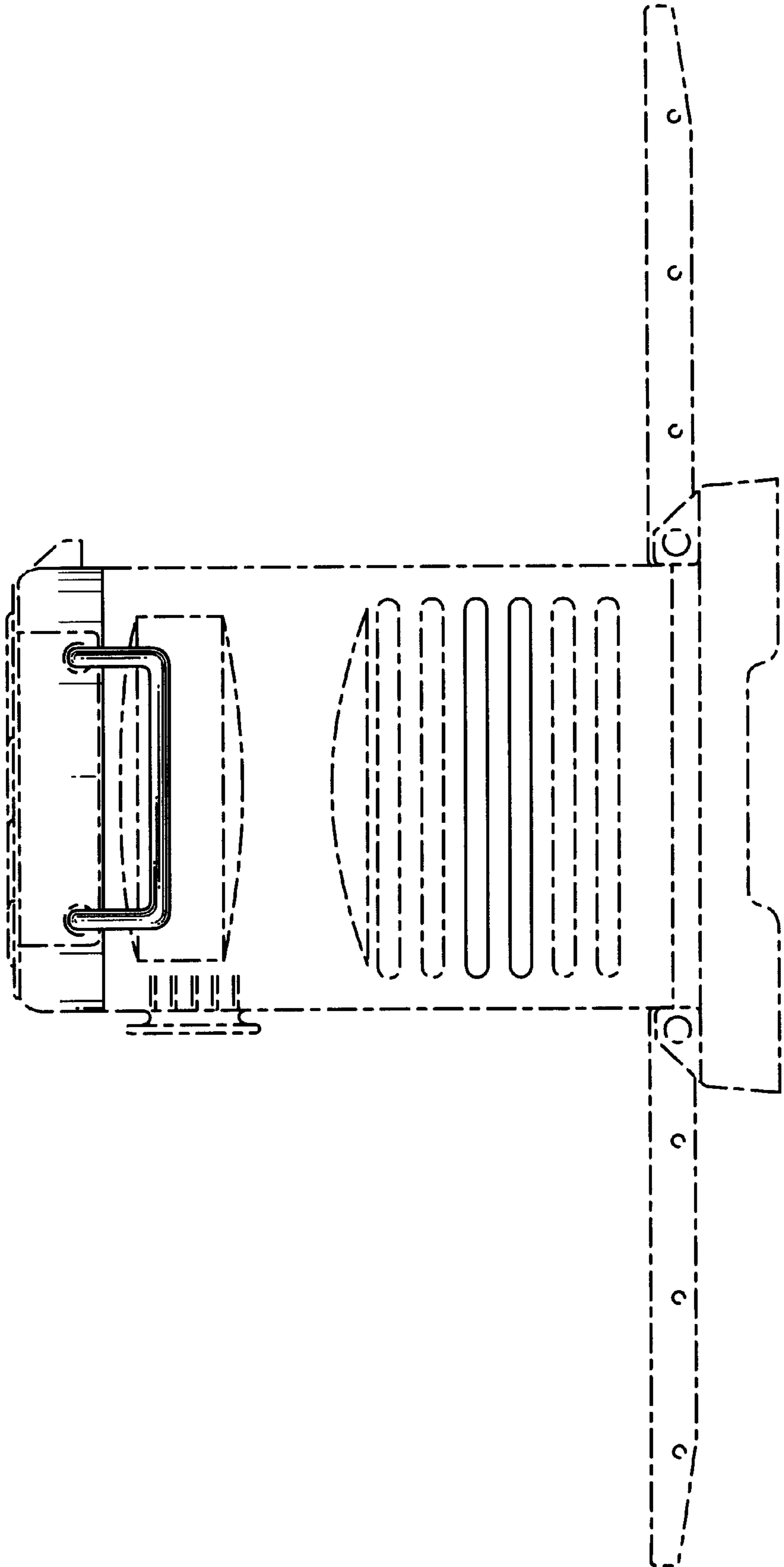


FIG. 5

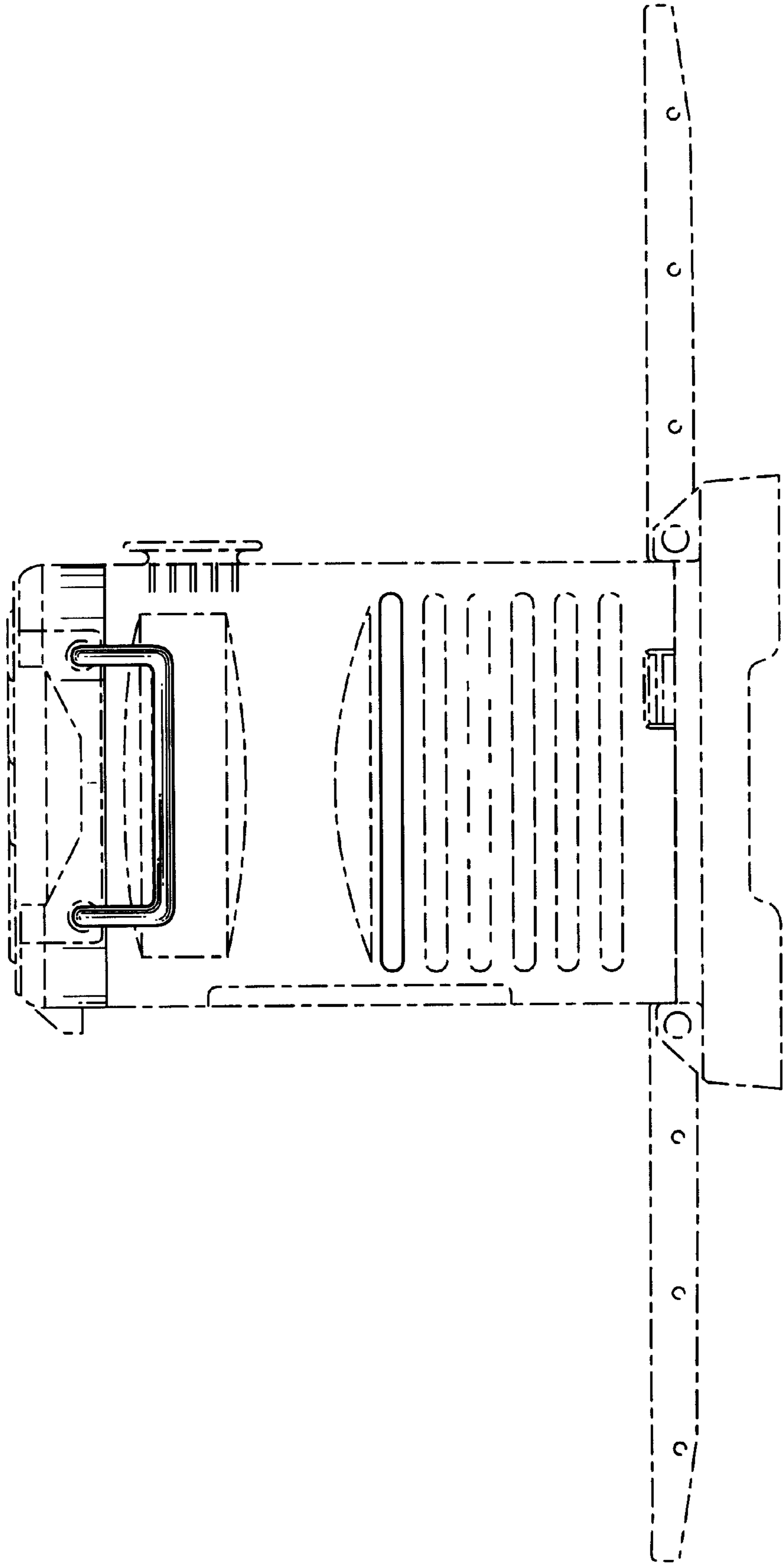


FIG. 6

