



US00D421995S

United States Patent [19]

Engelfried et al.

[11] Patent Number: **Des. 421,995**

[45] Date of Patent: **** Mar. 28, 2000**

[54] **CUTTING TABLE**

[75] Inventors: **Uwe Engelfried**, Ostfildern; **Peter Aglassinger**, Esslingen; **Siegfried Keusch**, Deizisau, all of Germany

[73] Assignee: **Robert Bosch GmbH**, Stuttgart, Germany

[**] Term: **14 Years**

[21] Appl. No.: **29/099,944**

[22] Filed: **Feb. 1, 1999**

[30] **Foreign Application Priority Data**

Jul. 31, 1998 [DE] Germany 498 07 635

[51] **LOC (6) Cl.** **15-09**

[52] **U.S. Cl.** **D15/133**

[58] **Field of Search** D15/133; 83/397, 83/471.1, 471.2, 471.3, 477, 581, 522.18, 766

[56] **References Cited**

U.S. PATENT DOCUMENTS

1,977,709 10/1934 Altvater 83/522.18
5,050,473 9/1991 Ingram et al. 83/581

Primary Examiner—Antoine Duval Davis
Attorney, Agent, or Firm—Michael J. Striker

[57] **CLAIM**

The ornamental design for a cutting table, as shown and described.

DESCRIPTION

FIG. 1 is a right side view of a cutting table showing our new design;

FIG. 2 is a top plan view thereof;

FIG. 3 is a rear view thereof;

FIG. 4 is a bottom plan view thereof;

FIG. 5 is a front plan view thereof; and,

FIG. 6 is a left side view thereof.

1 Claim, 6 Drawing Sheets

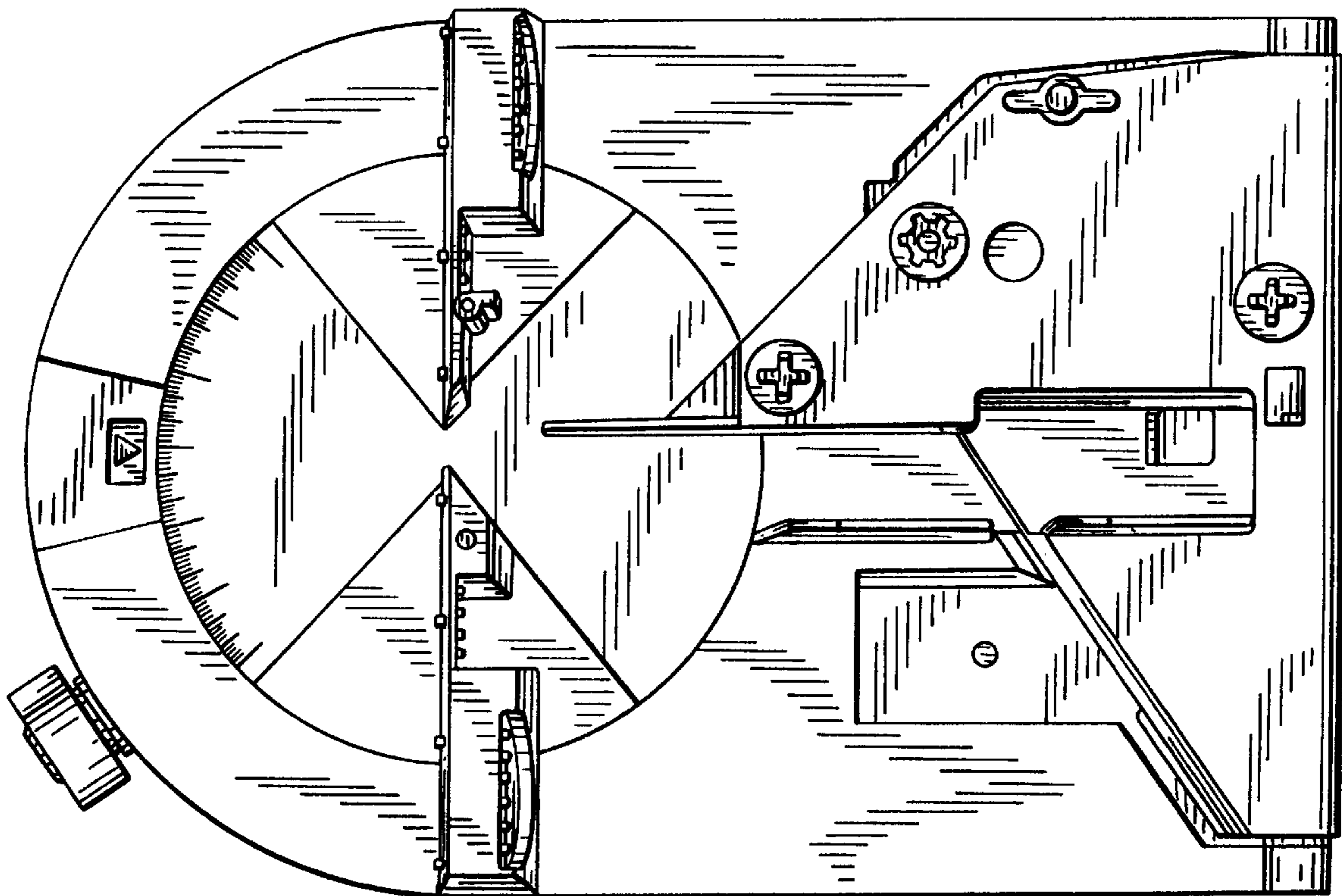
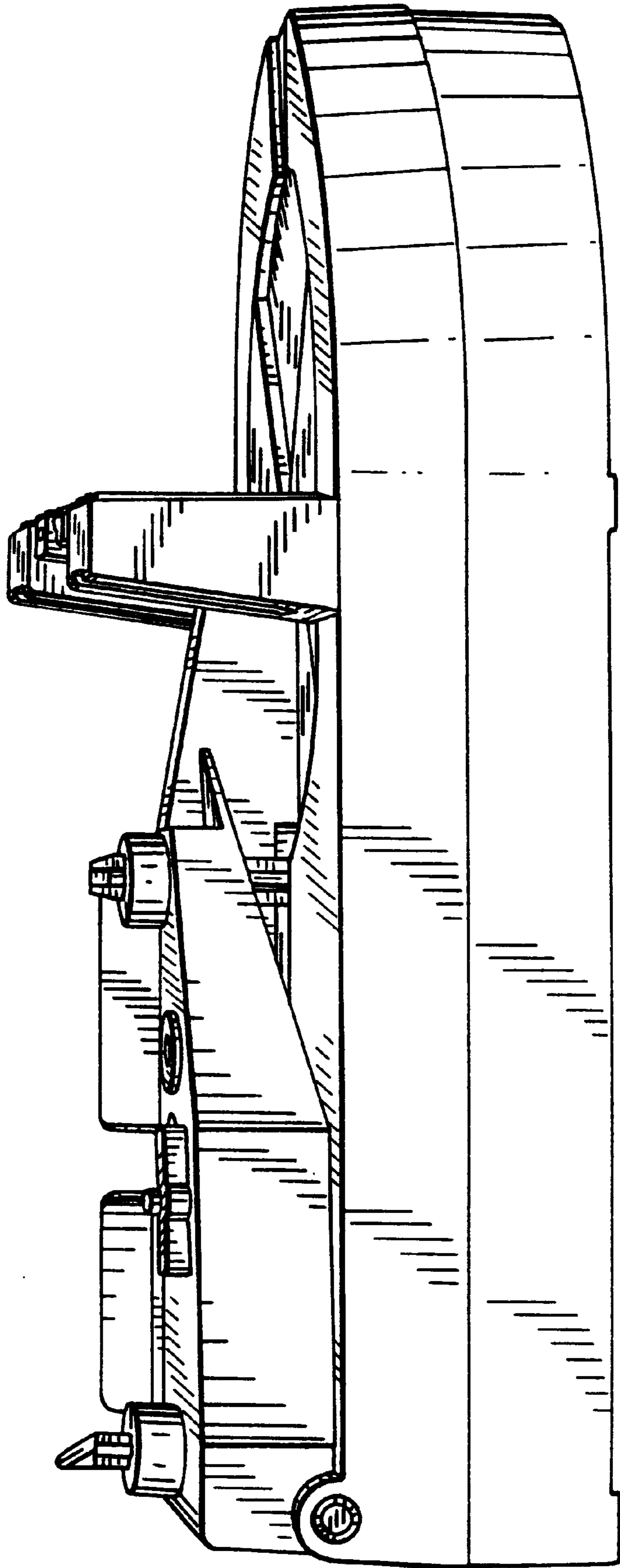


FIG. 1



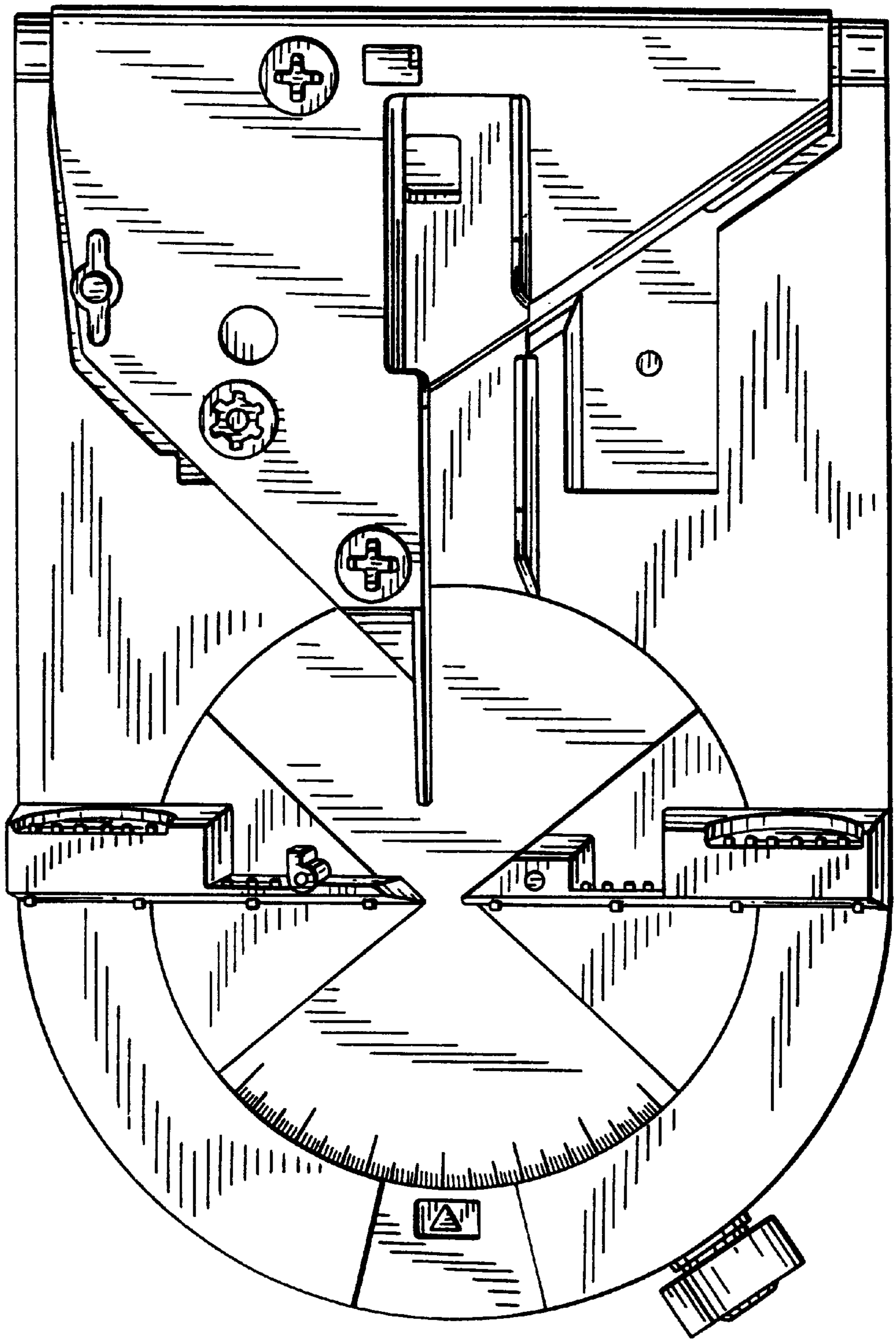
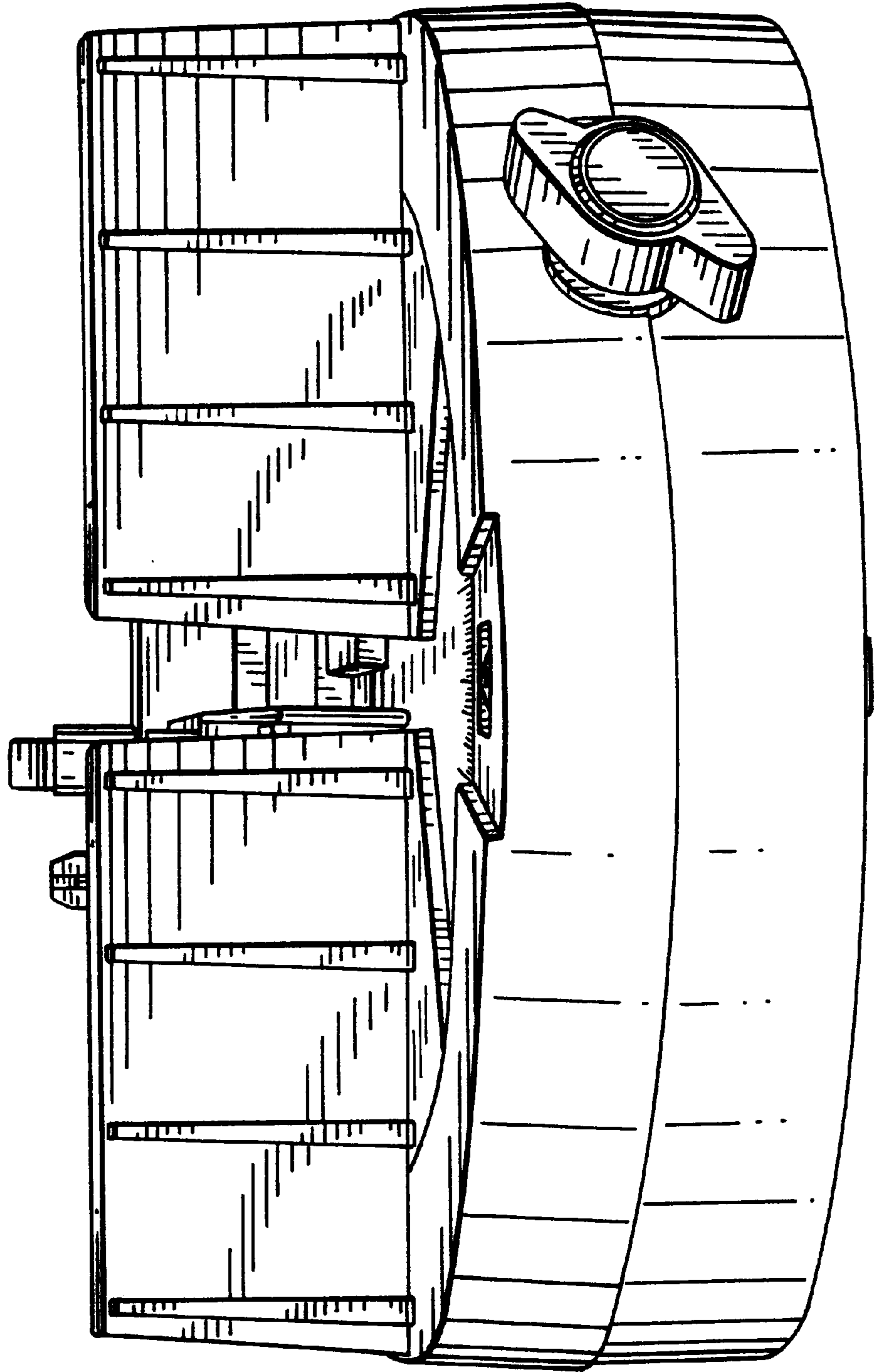


FIG. 2

FIG. 3



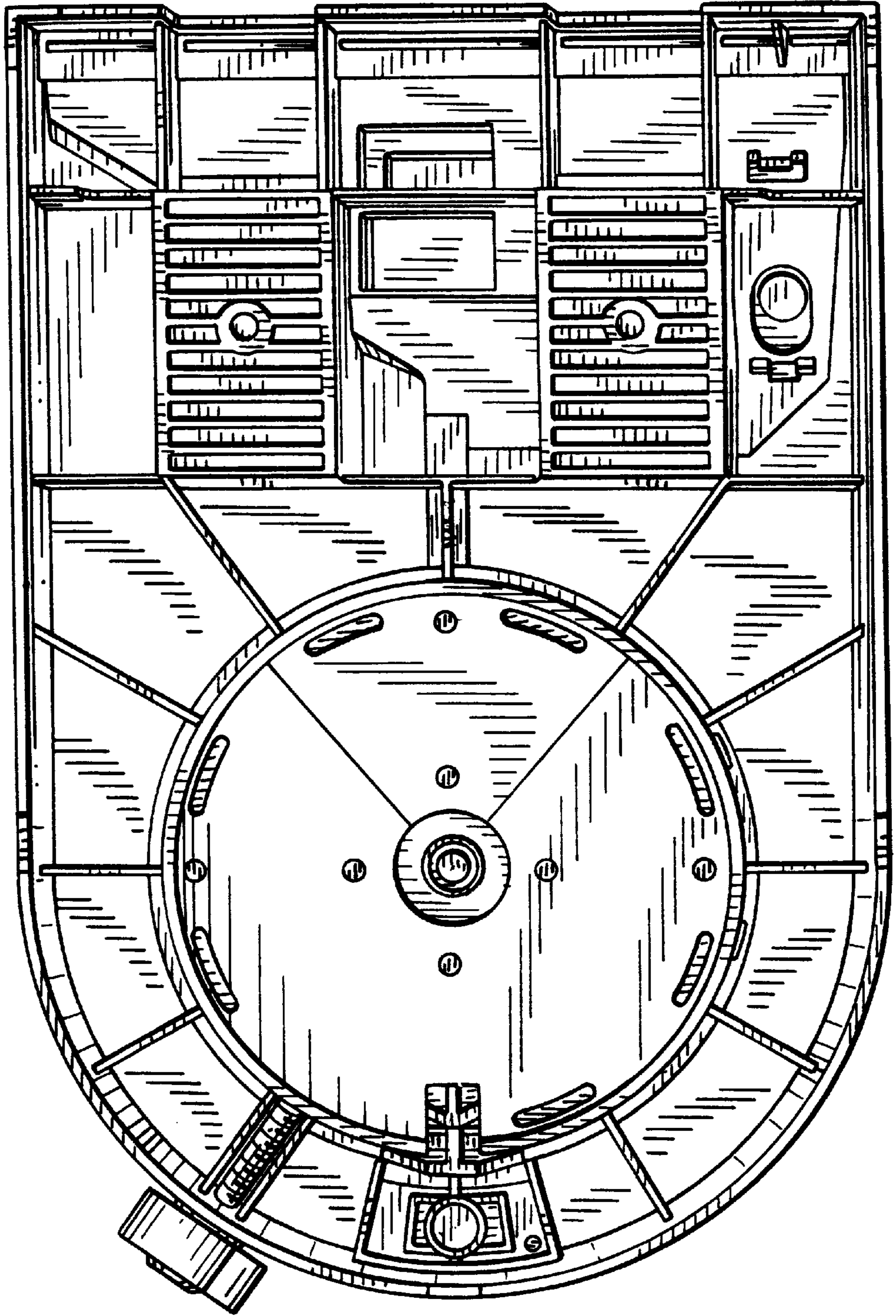


FIG. 4

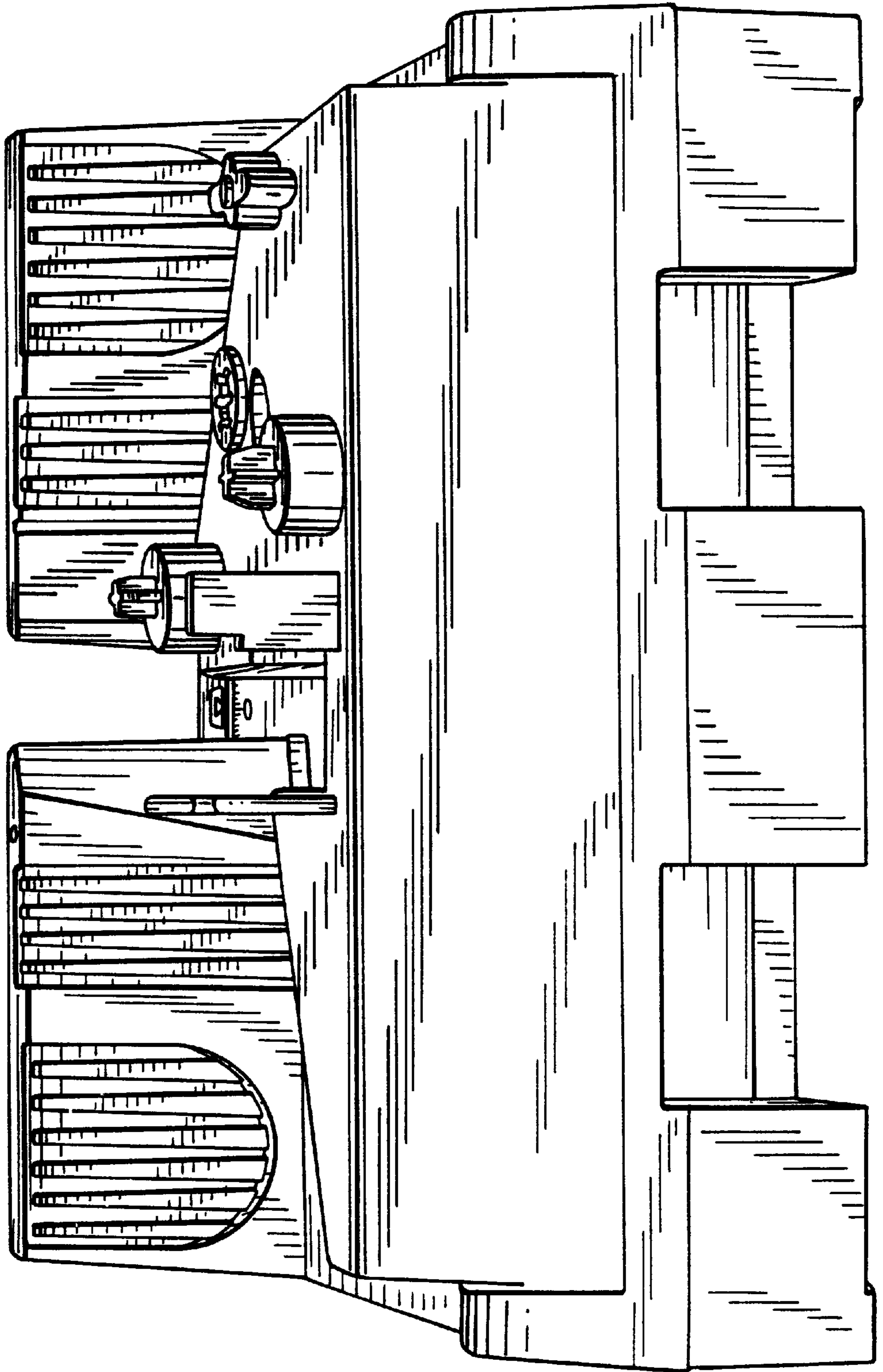


FIG. 5

FIG. 6

