



US00D421993S

United States Patent [19] Chiang

[11] **Patent Number: Des. 421,993**

[45] **Date of Patent: ** Mar. 28, 2000**

[54] **WOOD PLANING MACHINE**

D. 300,933 5/1989 Gemmani D15/139

[76] Inventor: **Pei-Lieh Chiang**, No. 12, Nan-Ping Rd., Nan Dist., Taichung City, Taiwan

Primary Examiner—Antoine Duval Davis
Attorney, Agent, or Firm—Brooks & Kushman P.C.

[**] Term: **14 Years**

[57] **CLAIM**

[21] Appl. No.: **29/108,023**

The ornamental design for wood planing machine, as shown and scribed.

[22] Filed: **Jul. 19, 1999**

DESCRIPTION

[51] **LOC (6) Cl.** **15-09**

[52] **U.S. Cl.** **D15/127**

[58] **Field of Search** D15/127; 144/112.1, 144/114.1, 117 R, 114 R, 124-127 A, 154.5, 129, 130, 218, 225, 228, 230, 242.5, 245.1, 246.1, 250.2, 253.2, 253.8, 253.5, 252.1, 375; 408/115 R, 241 S; 409/175, 181

FIG. 1 is a perspective view of wood planing machine showing my new design;

FIG. 2 is a front elevational view thereof;

FIG. 3 is a rear elevational view thereof;

FIG. 4 is a left side elevational view thereof;

FIG. 5 is a right side elevational view thereof;

FIG. 6 is a top plan view thereof; and,

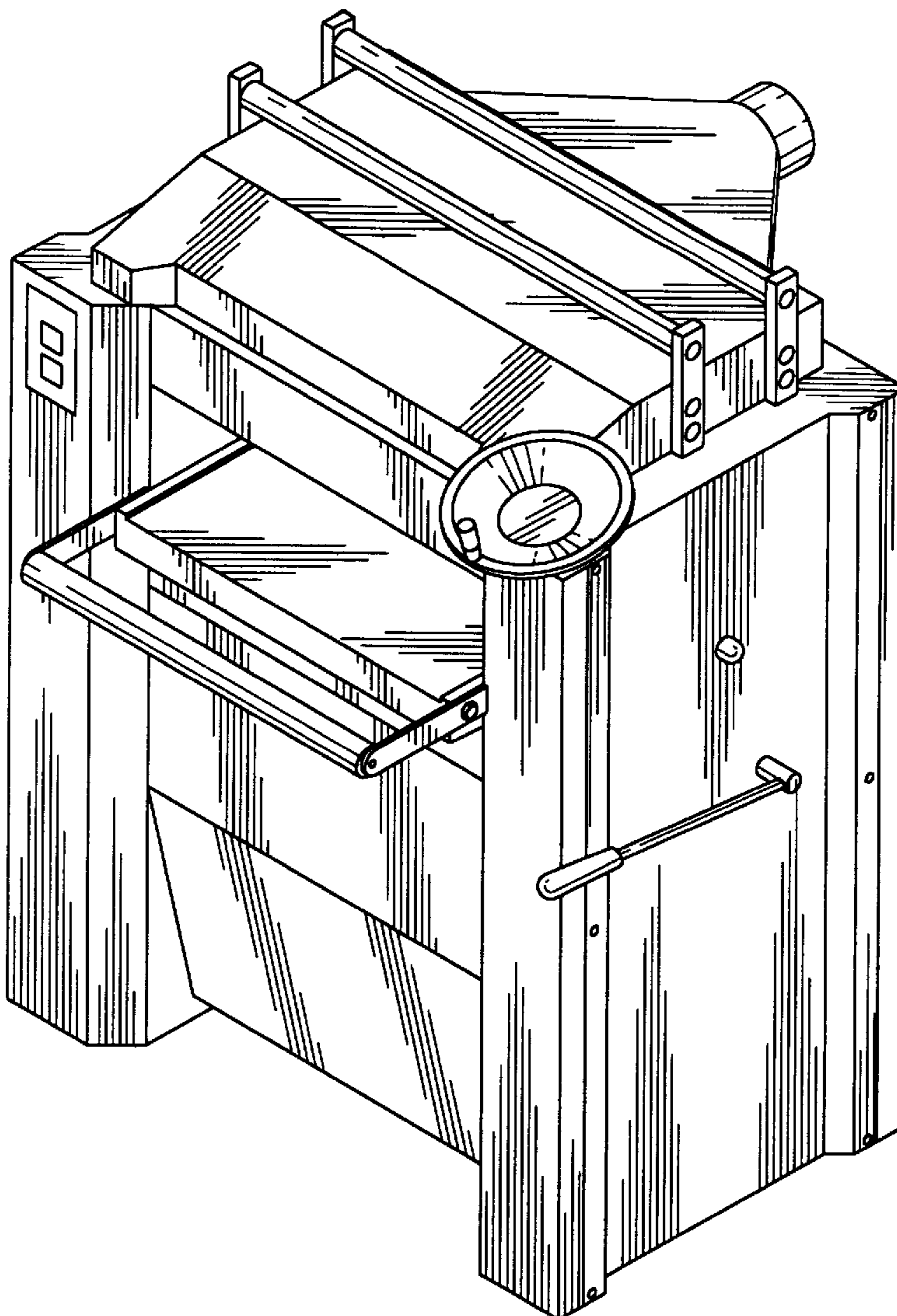
FIG. 7 is a bottom plan view thereof.

[56] **References Cited**

U.S. PATENT DOCUMENTS

D. 266,766 11/1982 Lawson D15/139

1 Claim, 7 Drawing Sheets



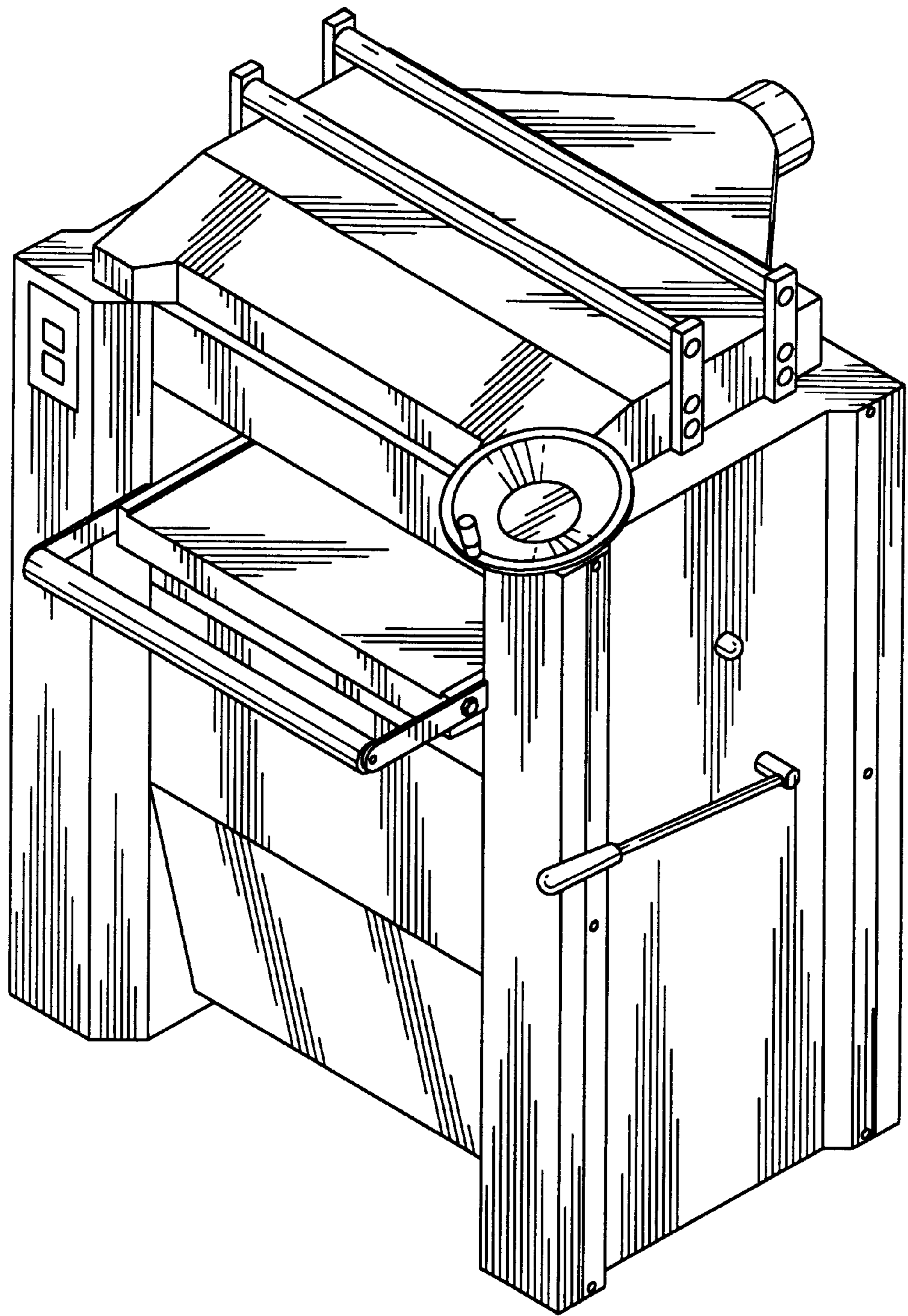


FIG. 1

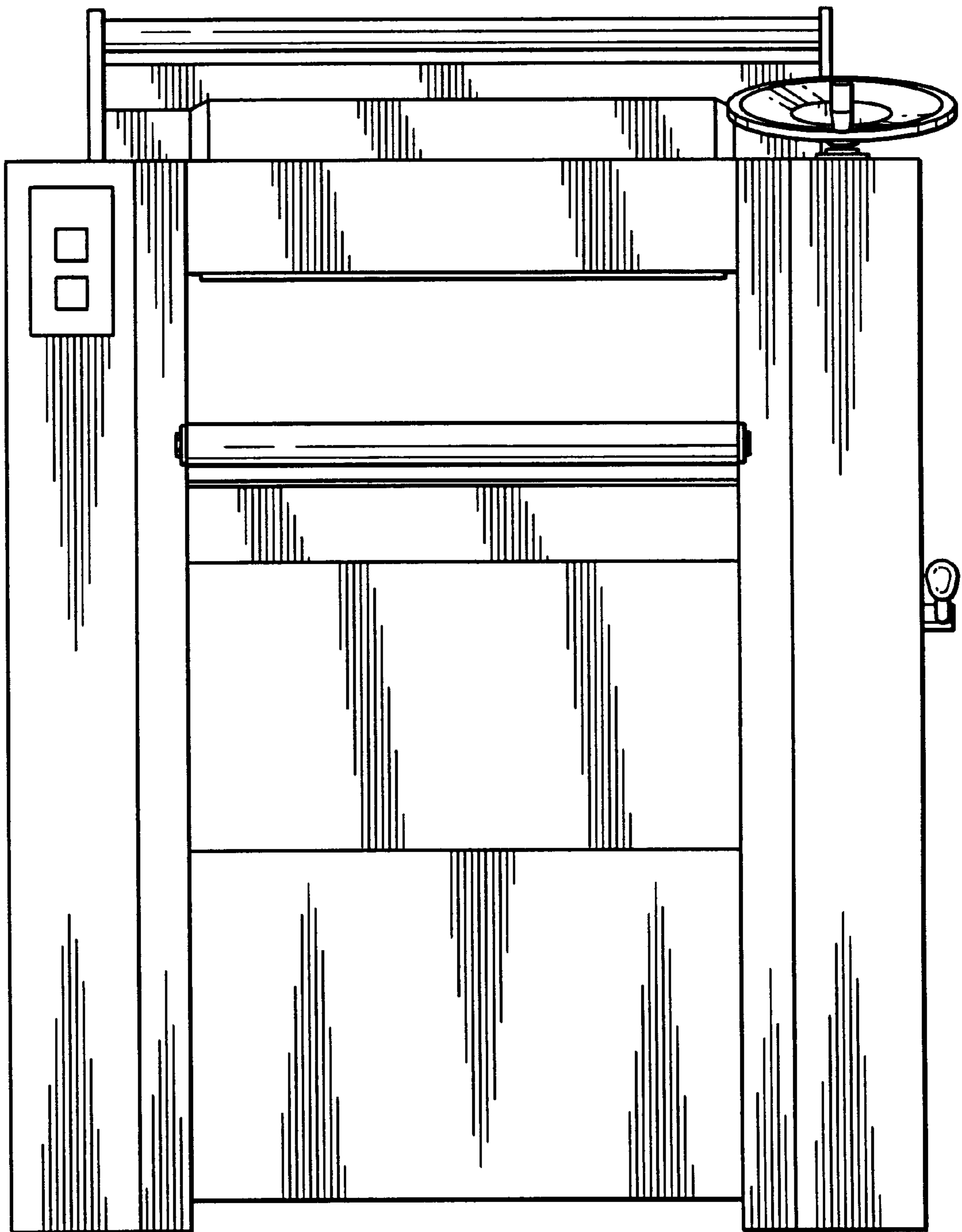


FIG. 2

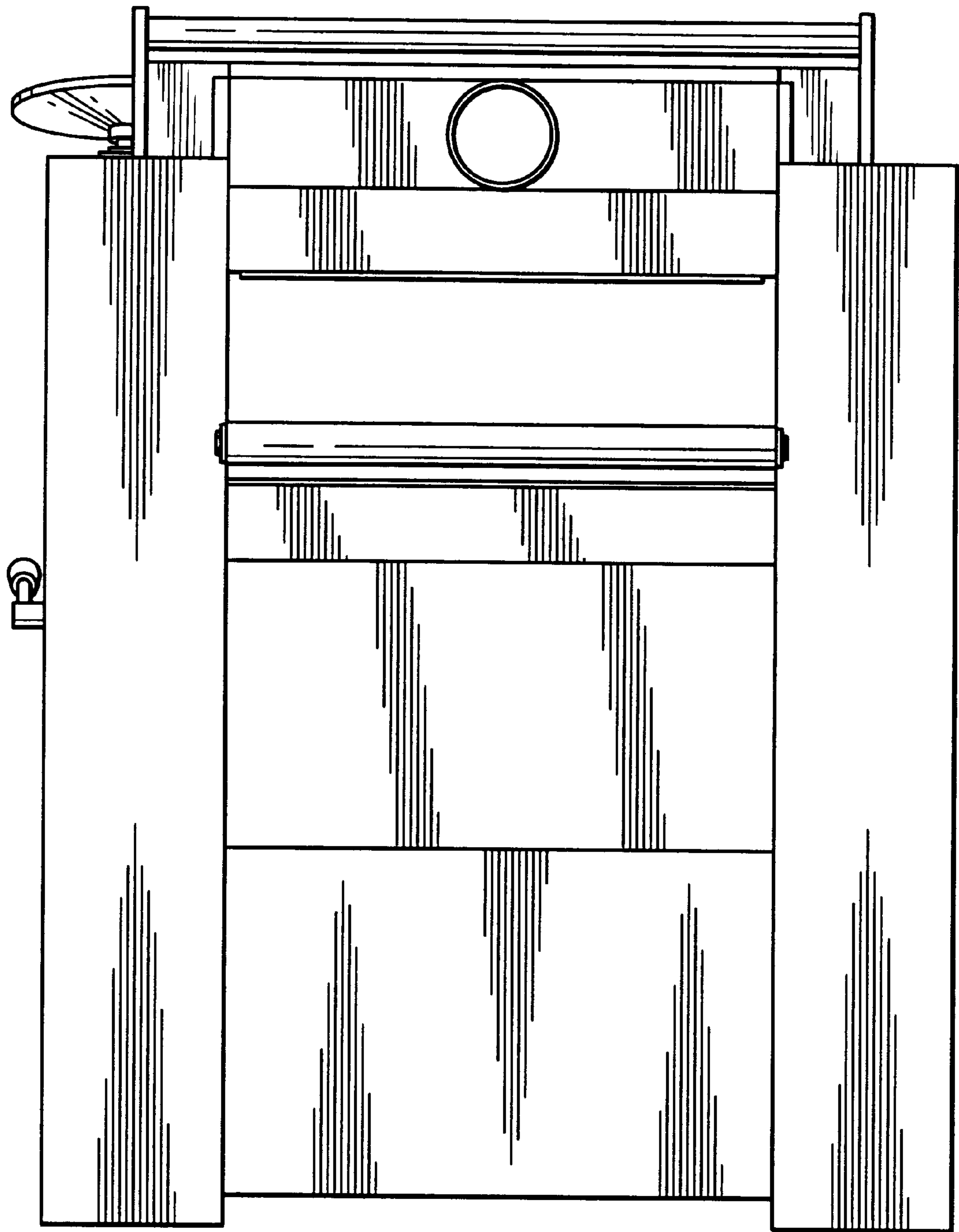


FIG. 3

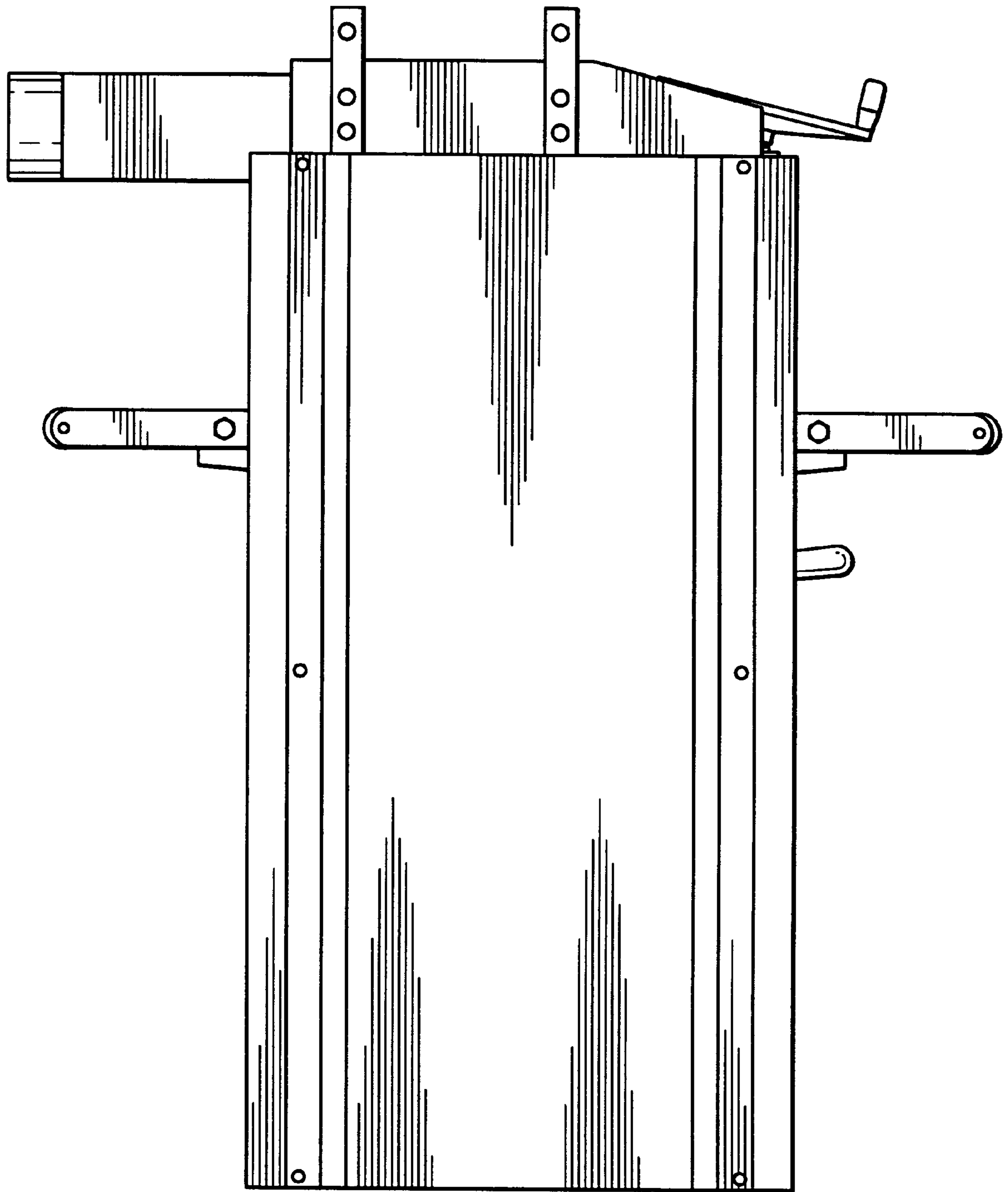


FIG. 4

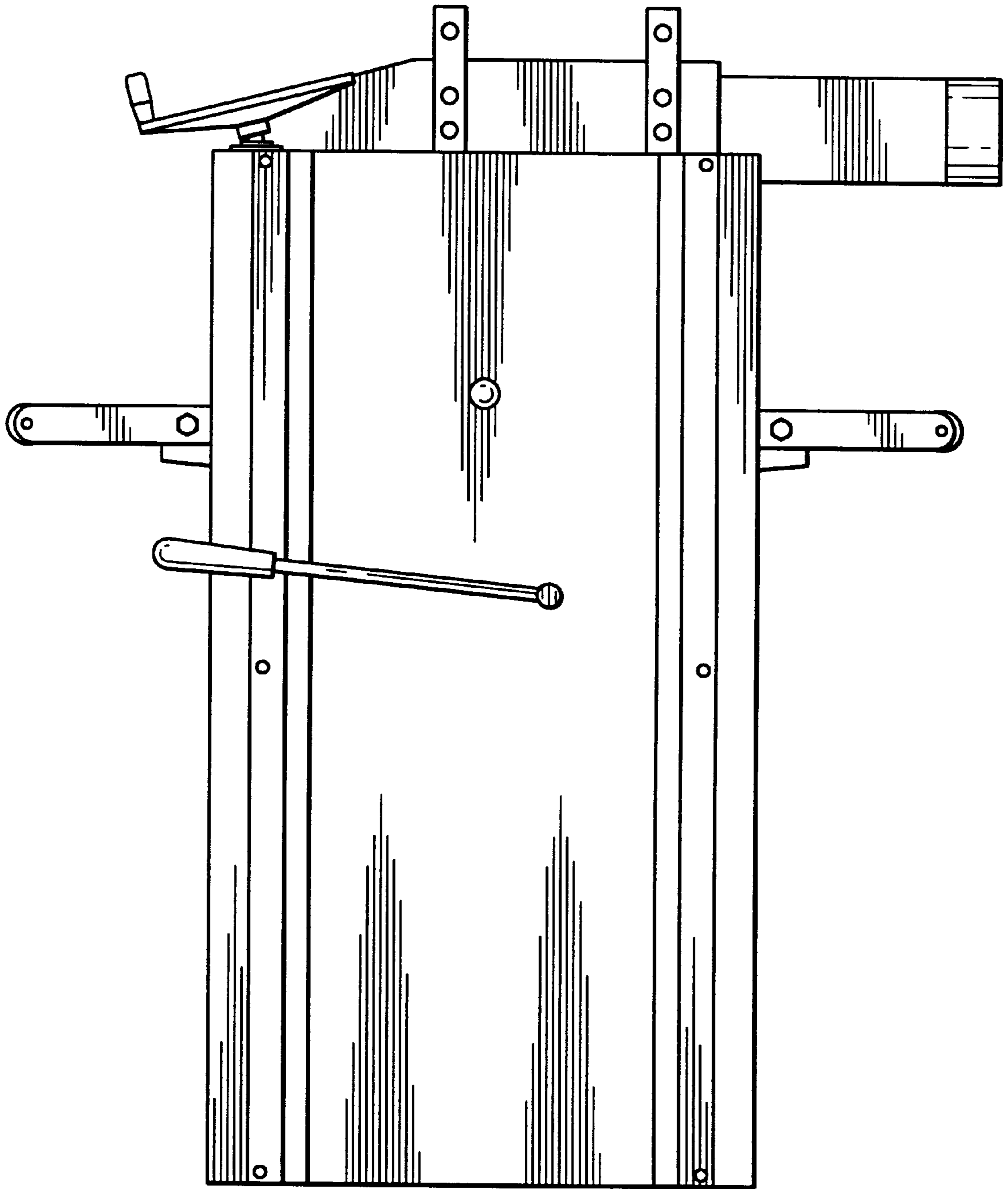


FIG. 5

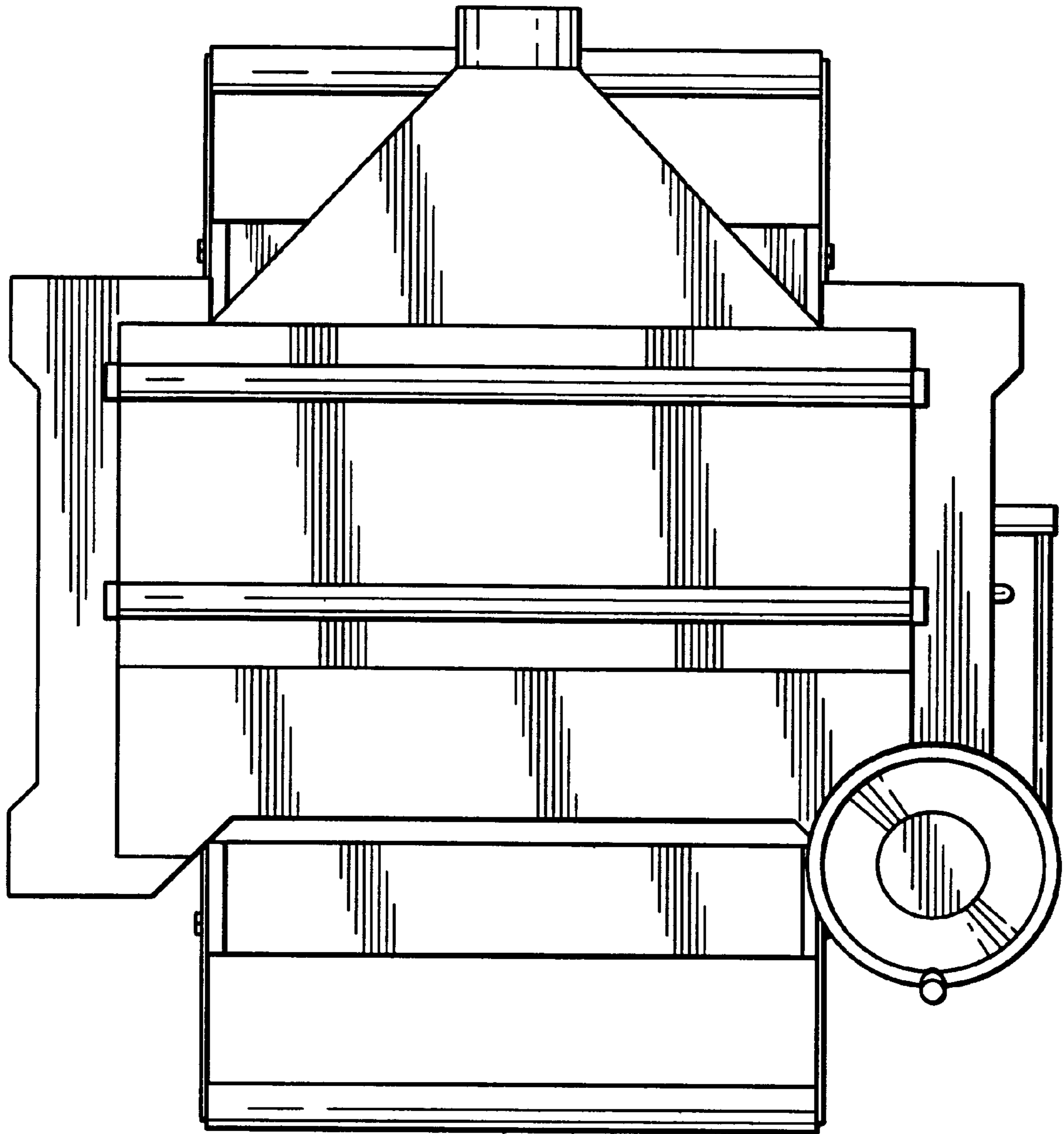


FIG. 6

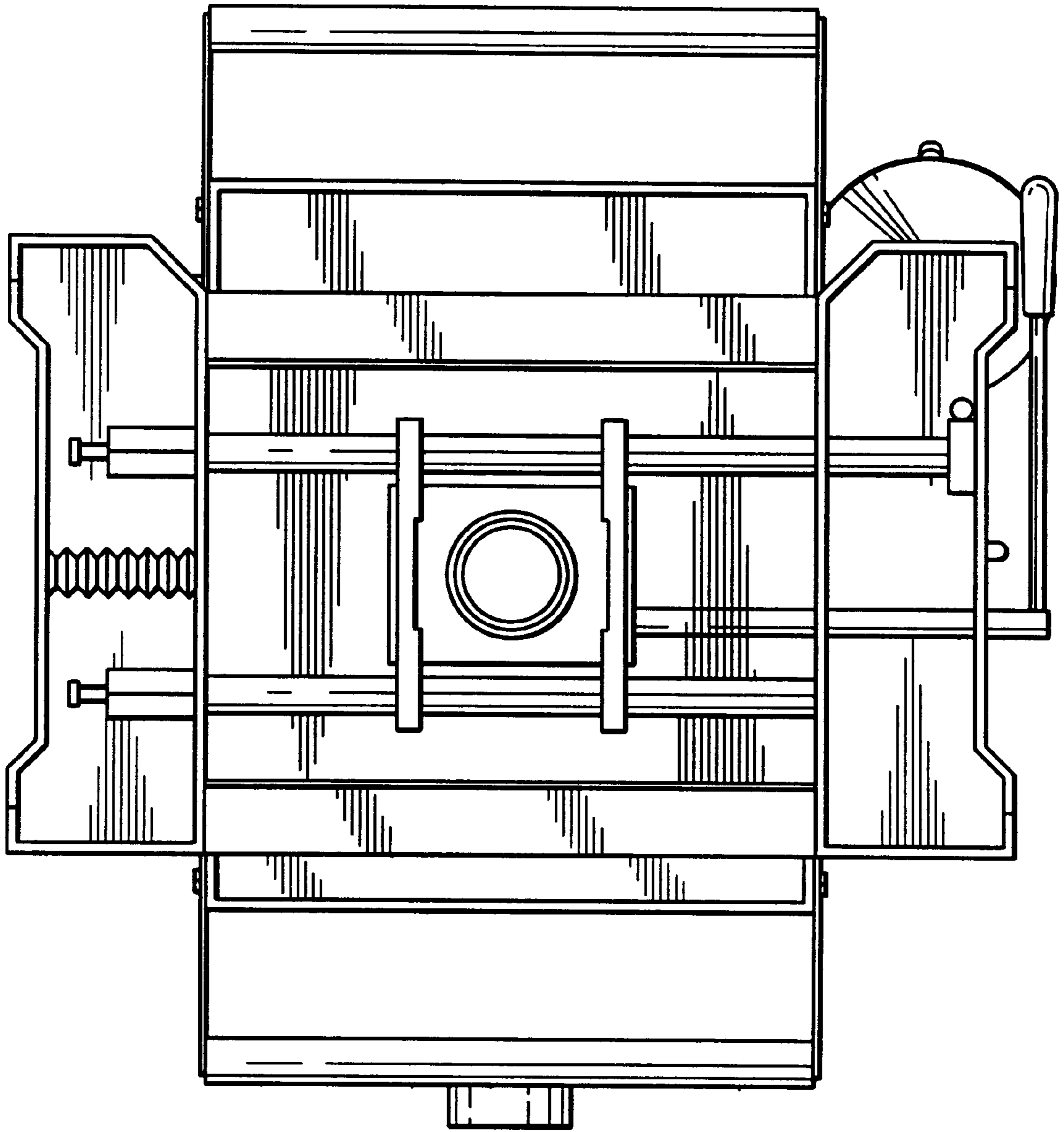


FIG. 7