



US00D421982S

United States Patent [19]

Nagele et al.

[11] Patent Number: **Des. 421,982**

[45] Date of Patent: **** Mar. 28, 2000**

[54] **RADIOTELEPHONE HOUSING**

[75] Inventors: **Albert Leo Nagele**, Wilmette; **Steven Clark Emmert**, Crystal Lake, both of Ill.; **Thomas Anthony Petrella**, Burlington, Wis.

[73] Assignee: **Motorola, Inc.**, Schaumburg, Ill.

[**] Term: **14 Years**

[21] Appl. No.: **29/078,025**

[22] Filed: **Oct. 15, 1997**

[51] **LOC (6) Cl.** **14-03**

[52] **U.S. Cl.** **D14/138**

[58] **Field of Search** D14/137, 138, D14/147-148, 247-248, 250, 240, 140-142; 379/433, 434, 419, 420, 428, 440; 455/550-575, 90

[56] **References Cited**

U.S. PATENT DOCUMENTS

- D. 297,735 9/1988 Soren et al. .
- D. 300,742 4/1989 Soren et al. .
- D. 300,827 4/1989 Soren et al. .
- D. 304,189 10/1989 Nagele et al. .
- D. 305,427 1/1990 Soren et al. .
- D. 318,050 7/1991 Elbaz et al. .
- D. 321,349 11/1991 Colida .
- D. 325,028 3/1992 Nagele et al. .
- D. 325,029 3/1992 Nagele et al. .
- D. 326,092 5/1992 Kikuchi et al. .
- D. 327,062 6/1992 Taylor et al. .
- D. 334,746 4/1993 Novak .
- D. 336,087 6/1993 Siddoway et al. .
- D. 340,711 10/1993 Nagele et al. .
- D. 342,248 12/1993 Nagele et al. .
- D. 343,615 1/1994 Taylor .
- D. 343,616 1/1994 Nagele et al. .
- D. 343,835 2/1994 Nagele et al. .
- D. 345,158 3/1994 Namba et al. D14/138
- D. 345,356 3/1994 Ando et al. .
- D. 347,221 5/1994 Siddoway .
- D. 352,503 11/1994 Nagele .
- D. 359,734 6/1995 Nagele et al. .
- D. 369,598 5/1996 Nagele et al. .

- D. 385,873 11/1997 Nagele et al. D14/138
- D. 393,856 4/1998 Lee et al. D14/138
- D. 405,081 2/1999 Nagele et al. D14/138
- 4,926,474 5/1990 Marks .
- 5,027,394 6/1991 Ono et al. .
- 5,260,998 11/1993 Takagi .
- 5,335,368 8/1994 Tamura 455/90
- 5,442,814 8/1995 Seo 455/90 X
- 5,493,604 2/1996 Hirayama 455/564
- 5,628,089 5/1997 Wilcox et al. 379/433 X
- 5,689,824 11/1997 Nagai 455/550
- 5,706,332 1/1998 Nagi 455/550
- 5,857,148 1/1999 Weissshappel et al. 455/90

FOREIGN PATENT DOCUMENTS

- 2-274046 11/1990 Japan D14/147 X
- 6-152459 5/1994 Japan 455/90

OTHER PUBLICATIONS

- Japanese Design Publication 848974, Oct. 1992.
- Japanese Design Publication 612420, Nov. 1983.
- Japanese Design Publication 754981, Feb. 1989.
- Japanese Design Publication 849173, Oct. 1992.
- NTT DoCoMo, Digital MoVa, 9600bps Hyper phone advertisement, Jun. 1995.
- NTT DoCoMo, Digital MoVa phone advertisement, Apr. 1994.

Primary Examiner—Jeffrey Asch
Attorney, Agent, or Firm—John J. King; Daniel R. Collopy

[57] **CLAIM**

The ornamental design for a radiotelephone housing, as shown and described.

DESCRIPTION

- FIG. 1 is a front, top, and left side perspective view showing of our new design for a radiotelephone housing in a closed position.
- FIG. 2 is a front, top, and left side perspective view showing the radiotelephone housing of FIG. 1 in an open position.
- FIG. 3 is a rear elevation view thereof.
- FIG. 4 is a right side elevation view thereof.
- FIG. 5 is a bottom plan view thereof.
- FIG. 6 is a front, top, and left side perspective view showing the radiotelephone housing of FIG. 1 depicted without the illustrative broken lines in a closed position.

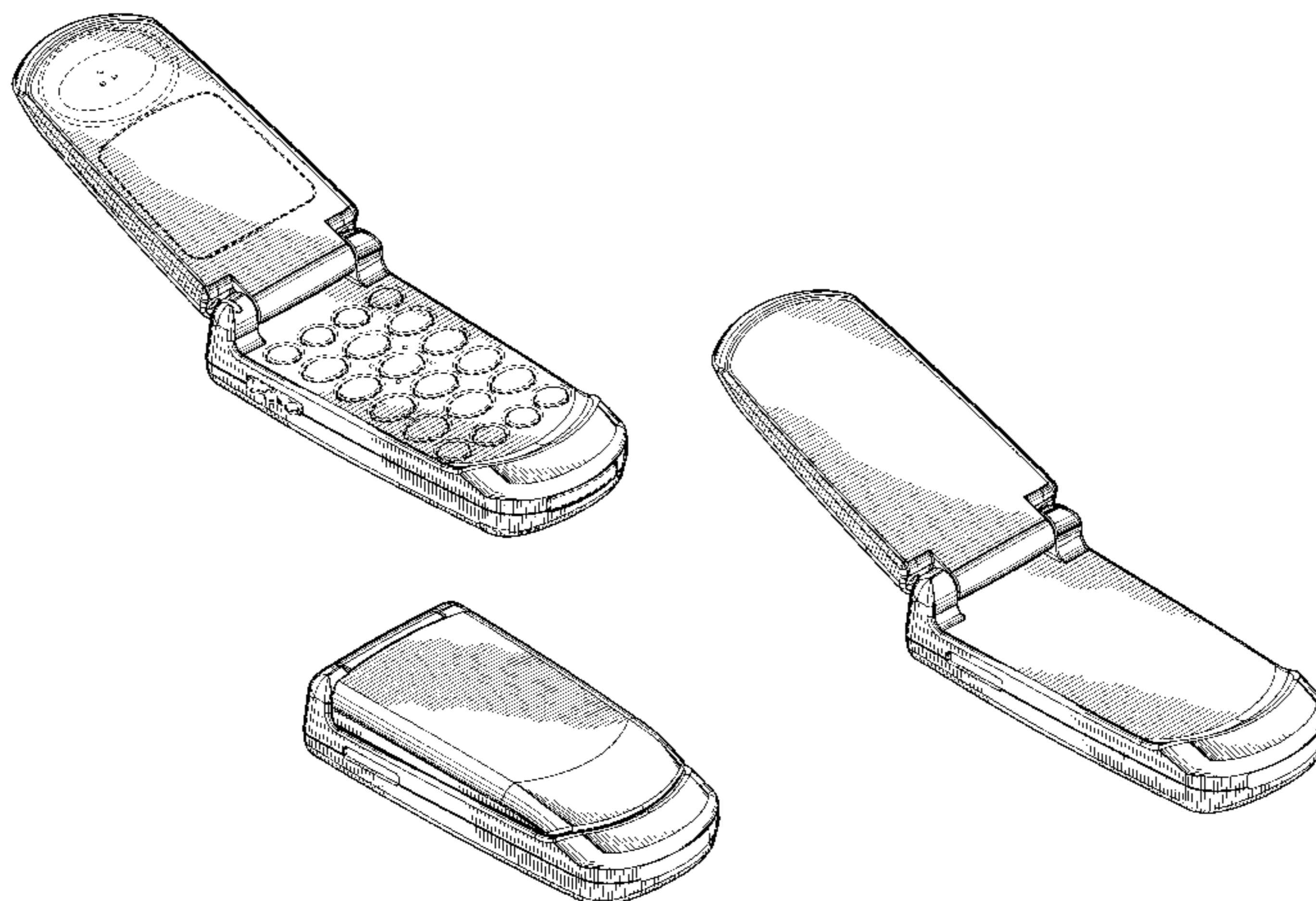


FIG. 7 is a front, top, and left side perspective view showing the radiotelephone housing of FIG. 6 in an open position.

FIG. 8 is a rear elevation view thereof.

FIG. 9 is a right side elevation view thereof; and,

FIG. 10 is a bottom plan view thereof.

The broken line matter in the drawings is for illustrative purposes only and forms no part of the claimed design.

The unshaded portions of the article shown in FIGS. 6-8 and hidden behind broken line disclosure in corresponding views, form no part of the claimed design.

1 Claim, 4 Drawing Sheets

FIG. 1

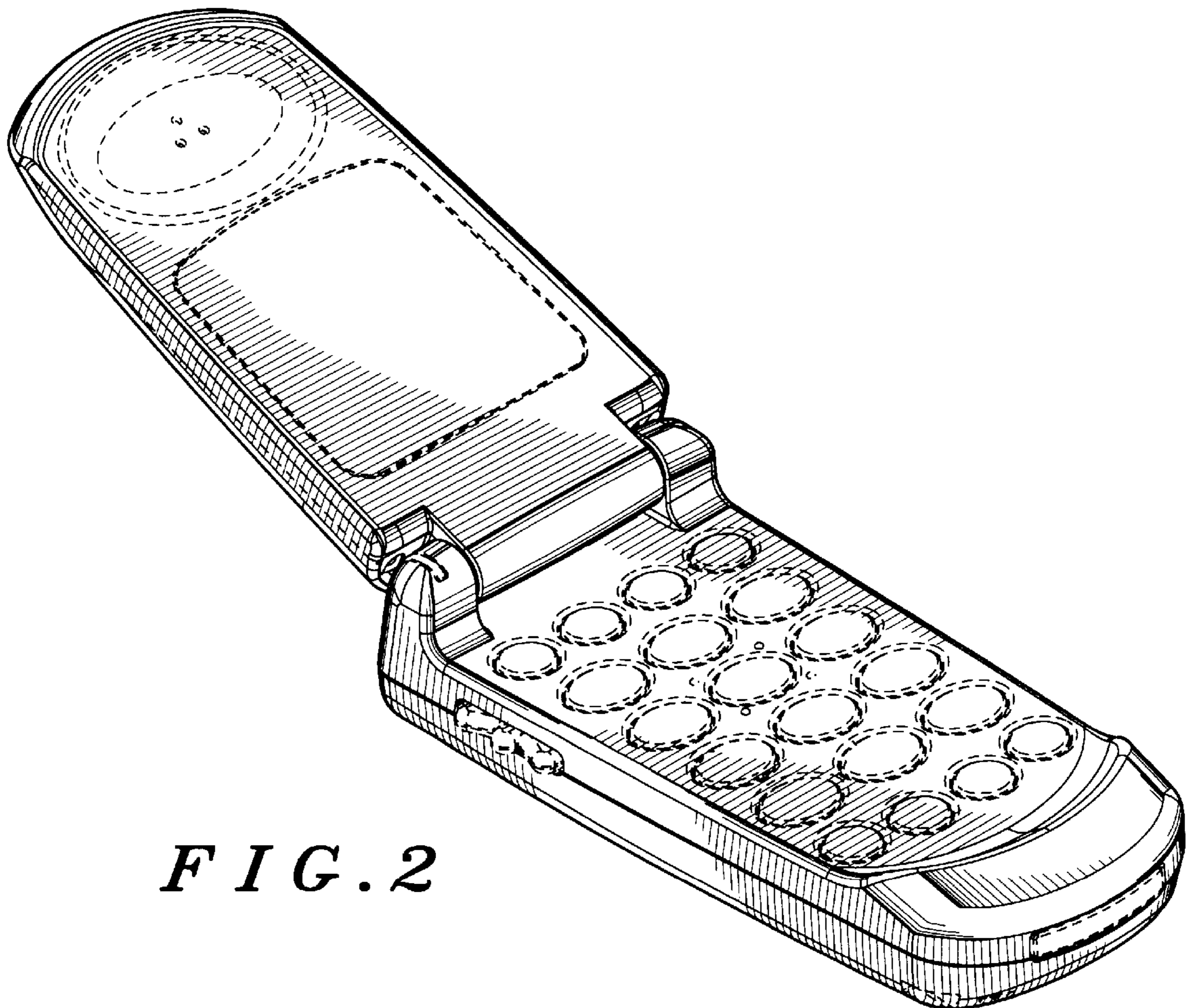
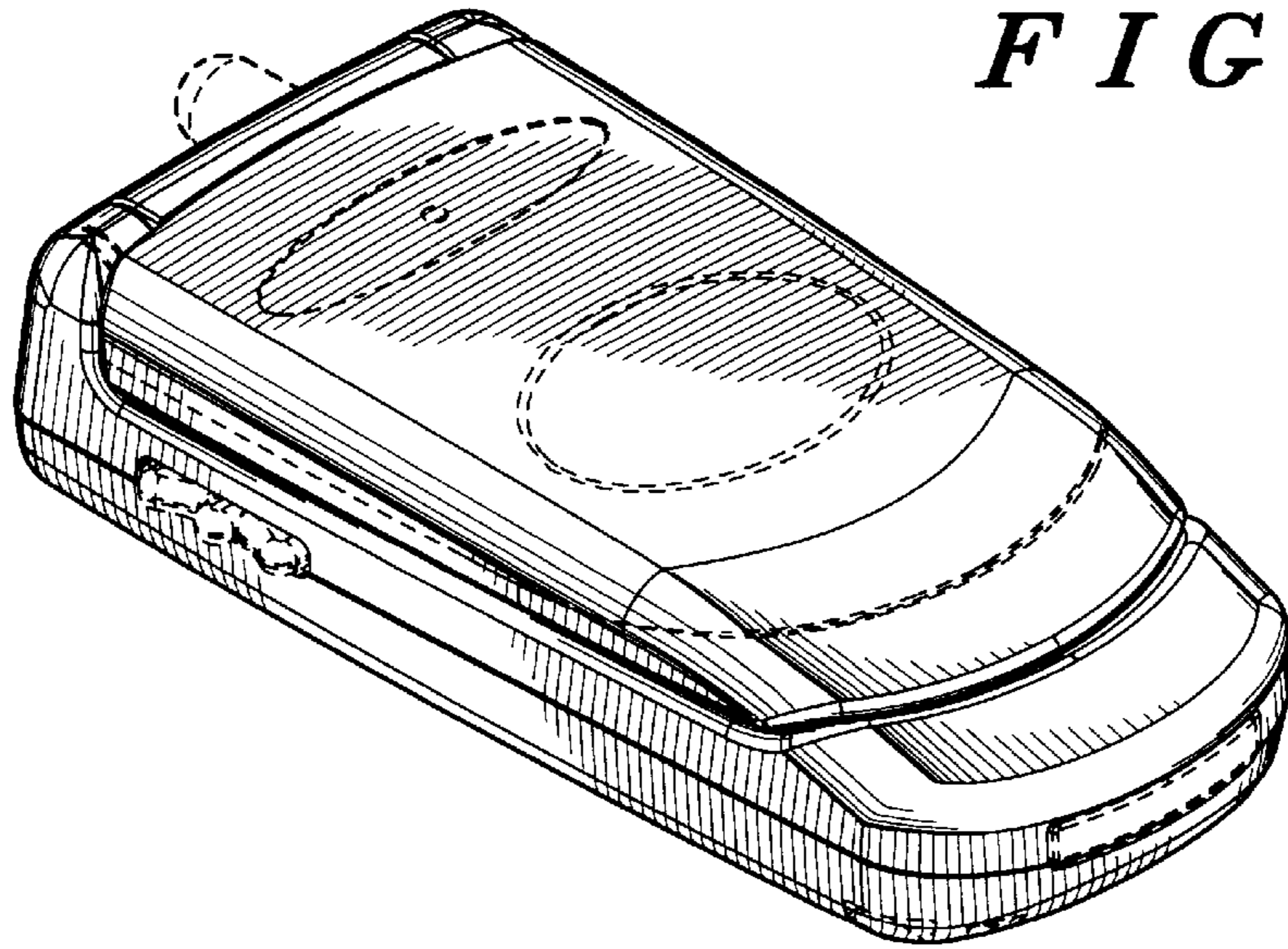


FIG. 2

FIG. 3

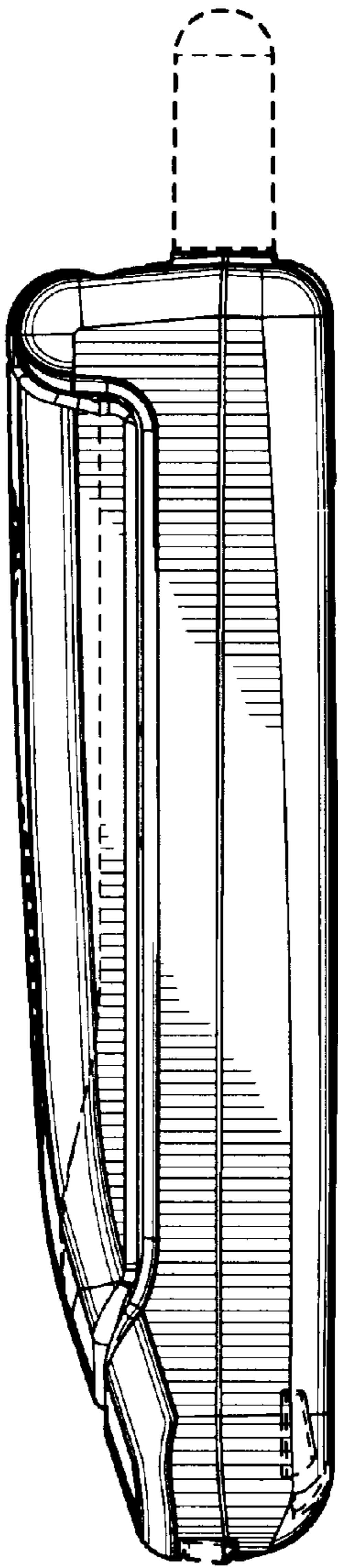
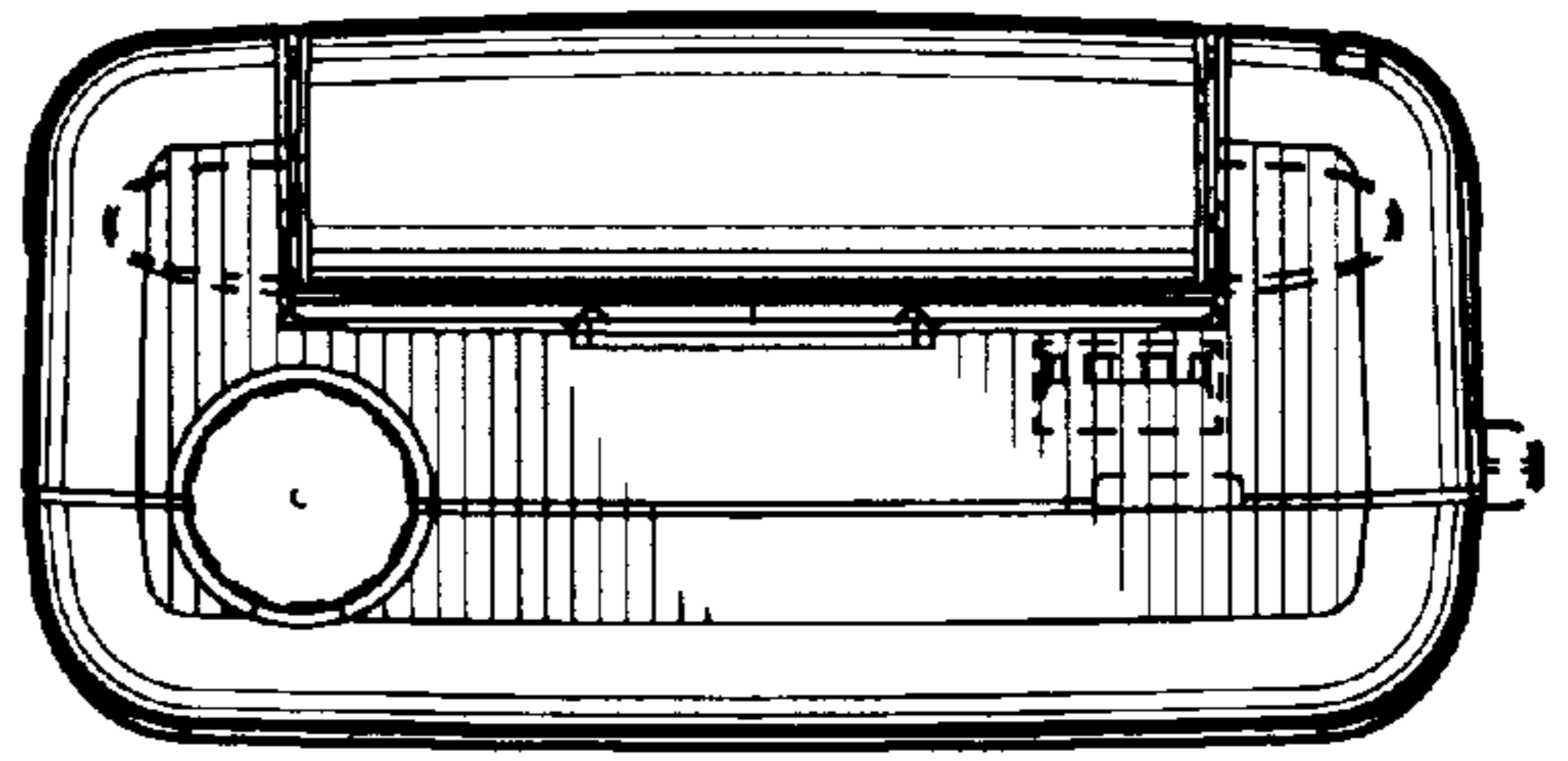


FIG. 4

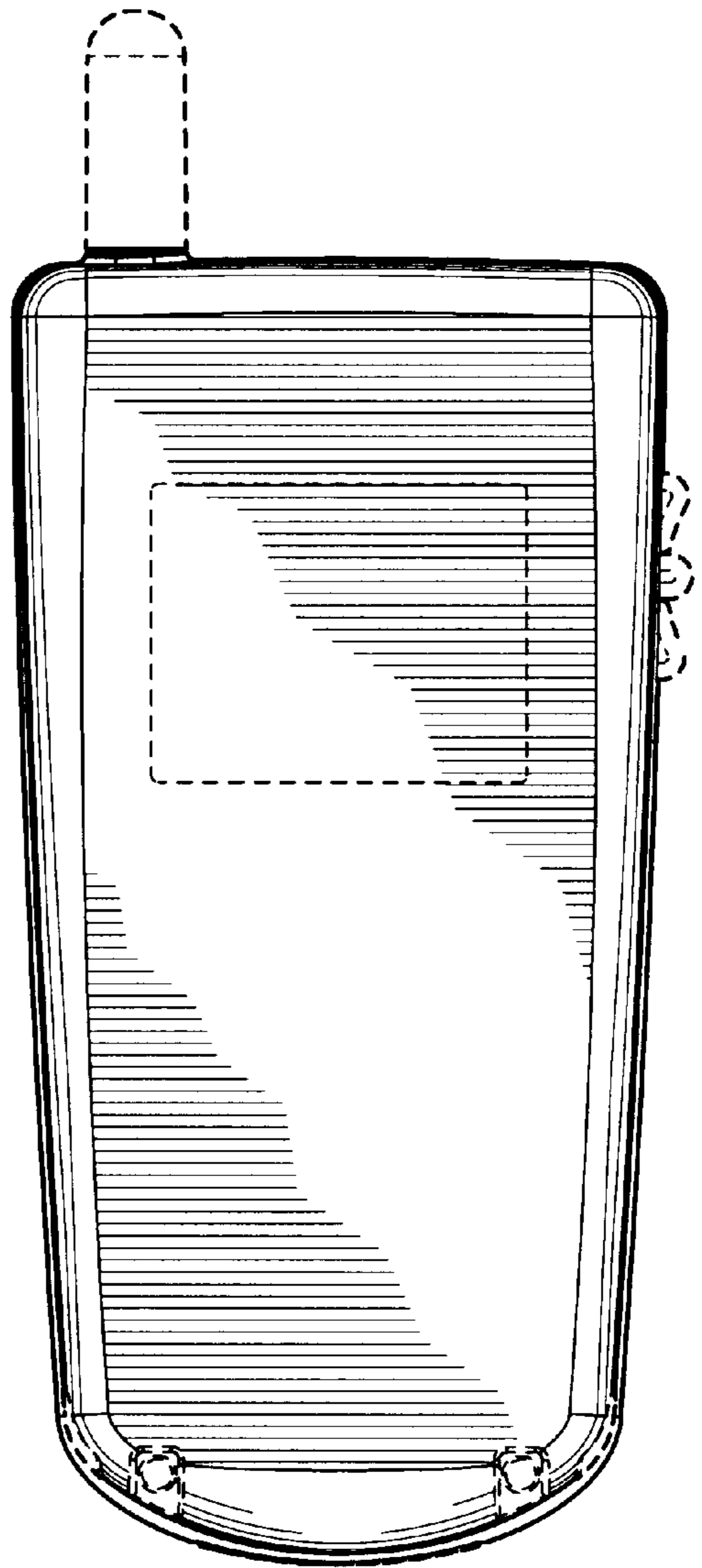


FIG. 5

FIG. 6

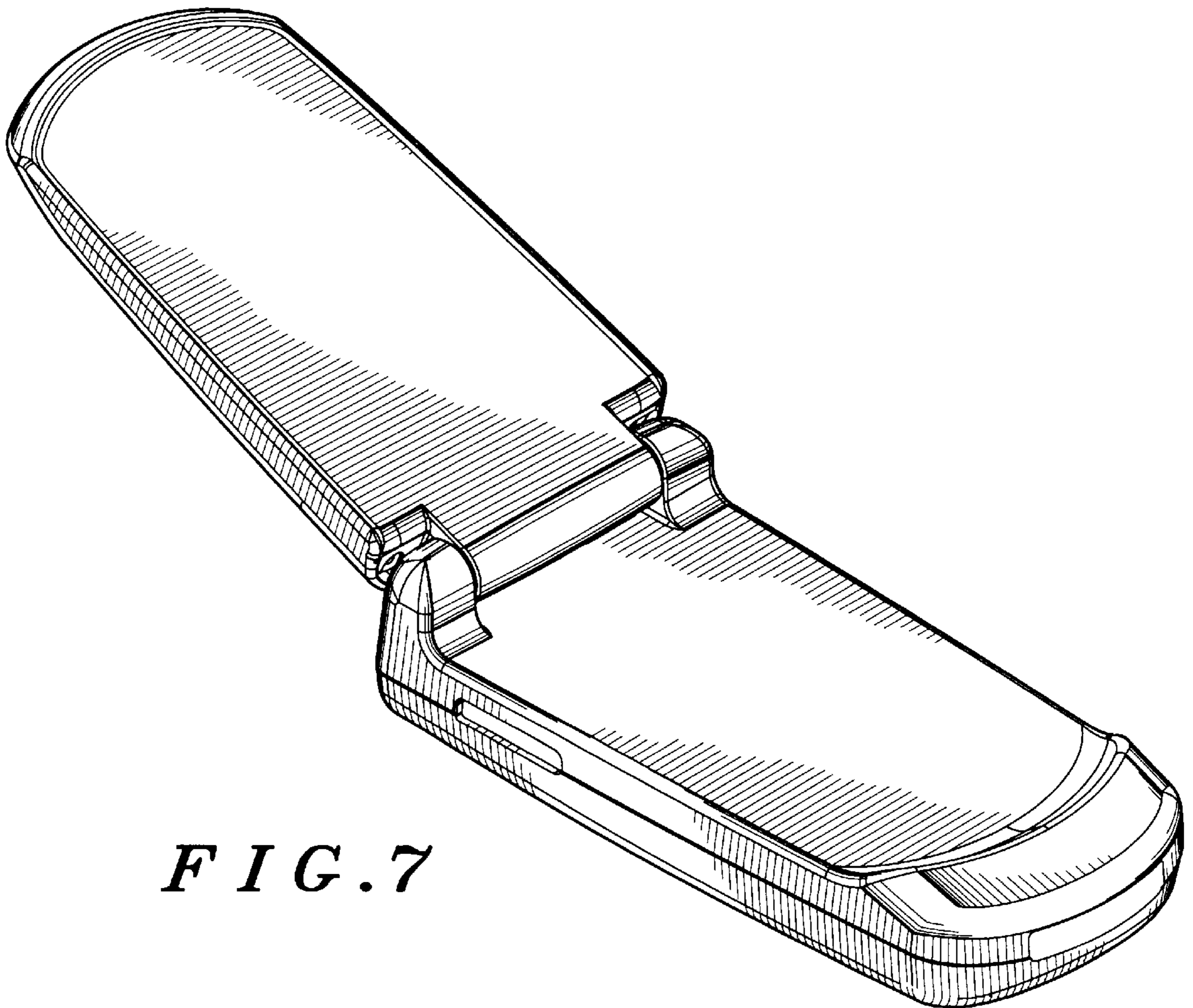
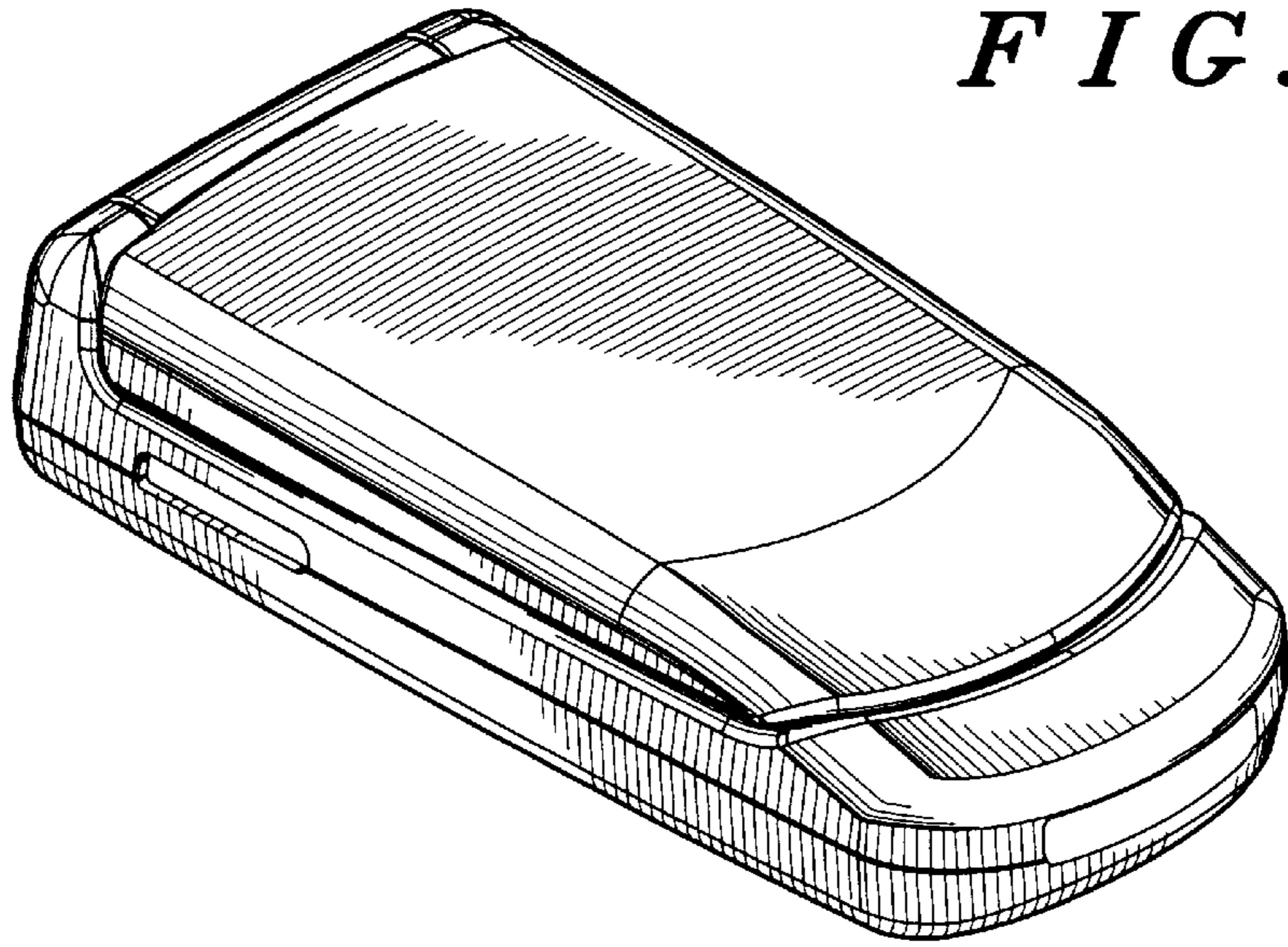


FIG. 7

FIG. 8

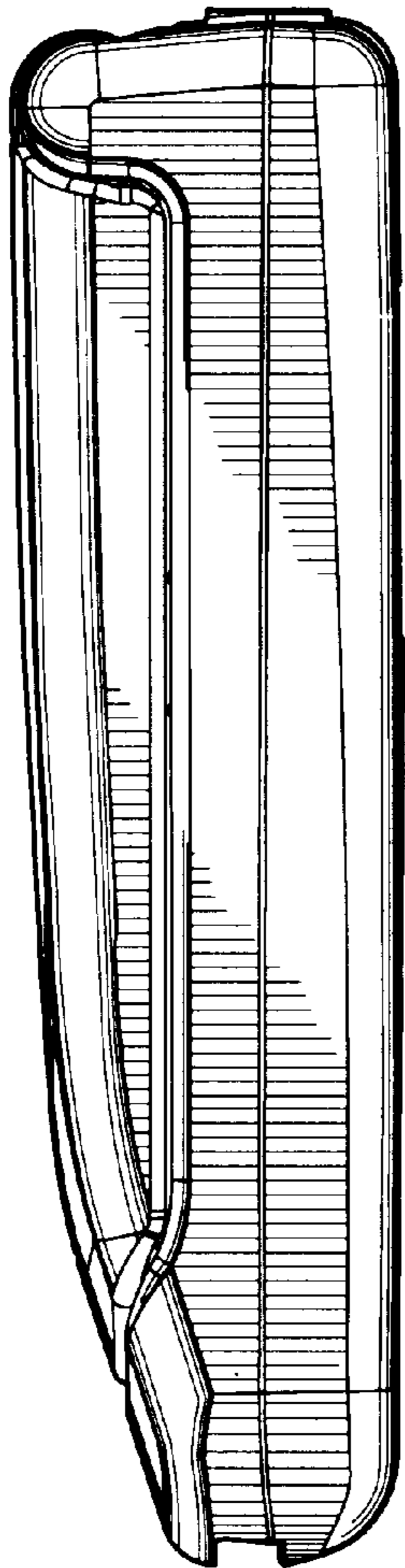
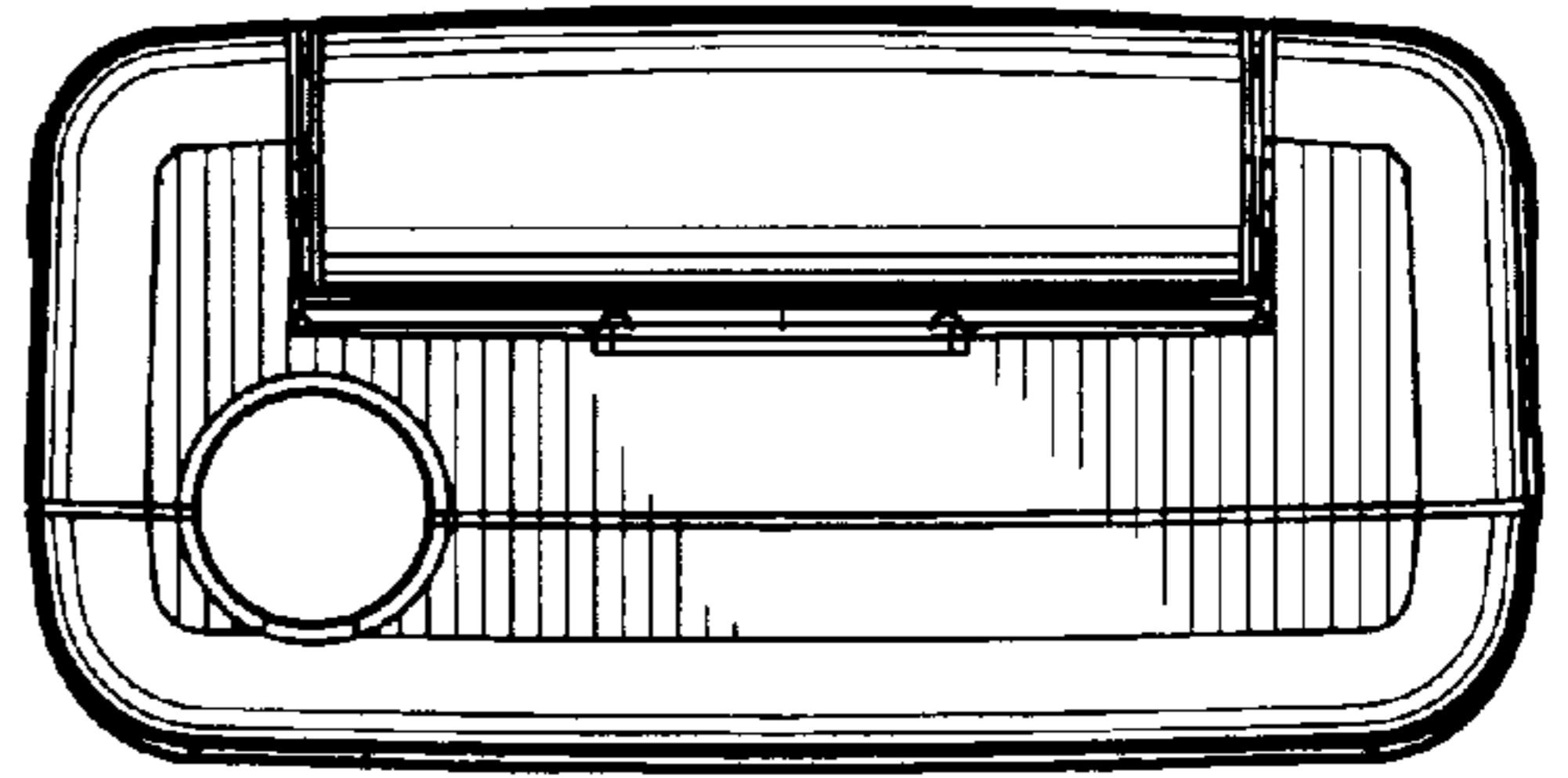


FIG. 9

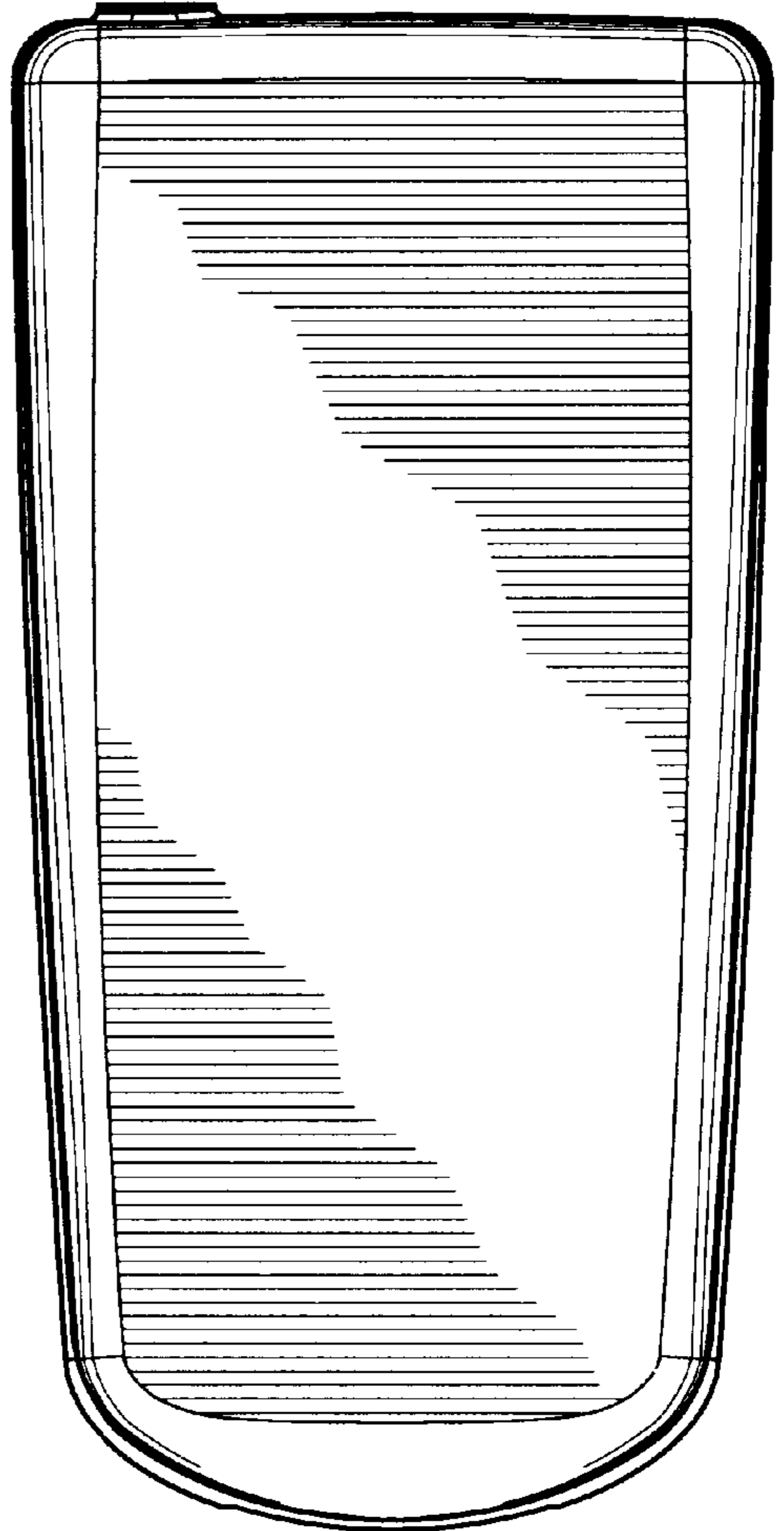


FIG. 10