



US00D421977S

# United States Patent [19] Wong

[11] **Patent Number: Des. 421,977**

[45] **Date of Patent: \*\* Mar. 28, 2000**

[54] **COMPUTER FACE PANEL**

D. 363,477 10/1995 Tinsley, Jr. et al. .... D14/115

[76] Inventor: **Cathy Wong**, No.33-2, Alley 4, Lane 611, Yuan-San Rd., Chung-Ho City, Taipei Hsien, Taiwan

*Primary Examiner*—Freda Nunn  
*Attorney, Agent, or Firm*—Pro-Techtor International Services

[\*\*] Term: **14 Years**

[57] **CLAIM**

[21] Appl. No.: **29/099,464**

The ornamental design for a computer face panel, as shown and described.

[22] Filed: **Jan. 21, 1999**

**DESCRIPTION**

[51] **LOC (6) Cl.** ..... **14-02**

[52] **U.S. Cl.** ..... **D14/115**

[58] **Field of Search** ..... D14/100, 102, D14/107-109, 114, 115, 257, 258; D13/162, 164, 177, 184, 199; D10/103; 312/223.2; 361/600, 622, 724-728

FIG. 1 is the front elevation view of a computer face panel showing my new design;  
FIG. 2 is the rear elevation view thereof;  
FIG. 3 is the left side view thereof;  
FIG. 4 is the right side view thereof;  
FIG. 5 is the top plan view thereof;  
FIG. 6 is the bottom plan view thereof; and,  
FIG. 7 is the perspective view thereof.

[56] **References Cited**

**U.S. PATENT DOCUMENTS**

D. 314,568 2/1991 Martin ..... D14/115

**1 Claim, 3 Drawing Sheets**

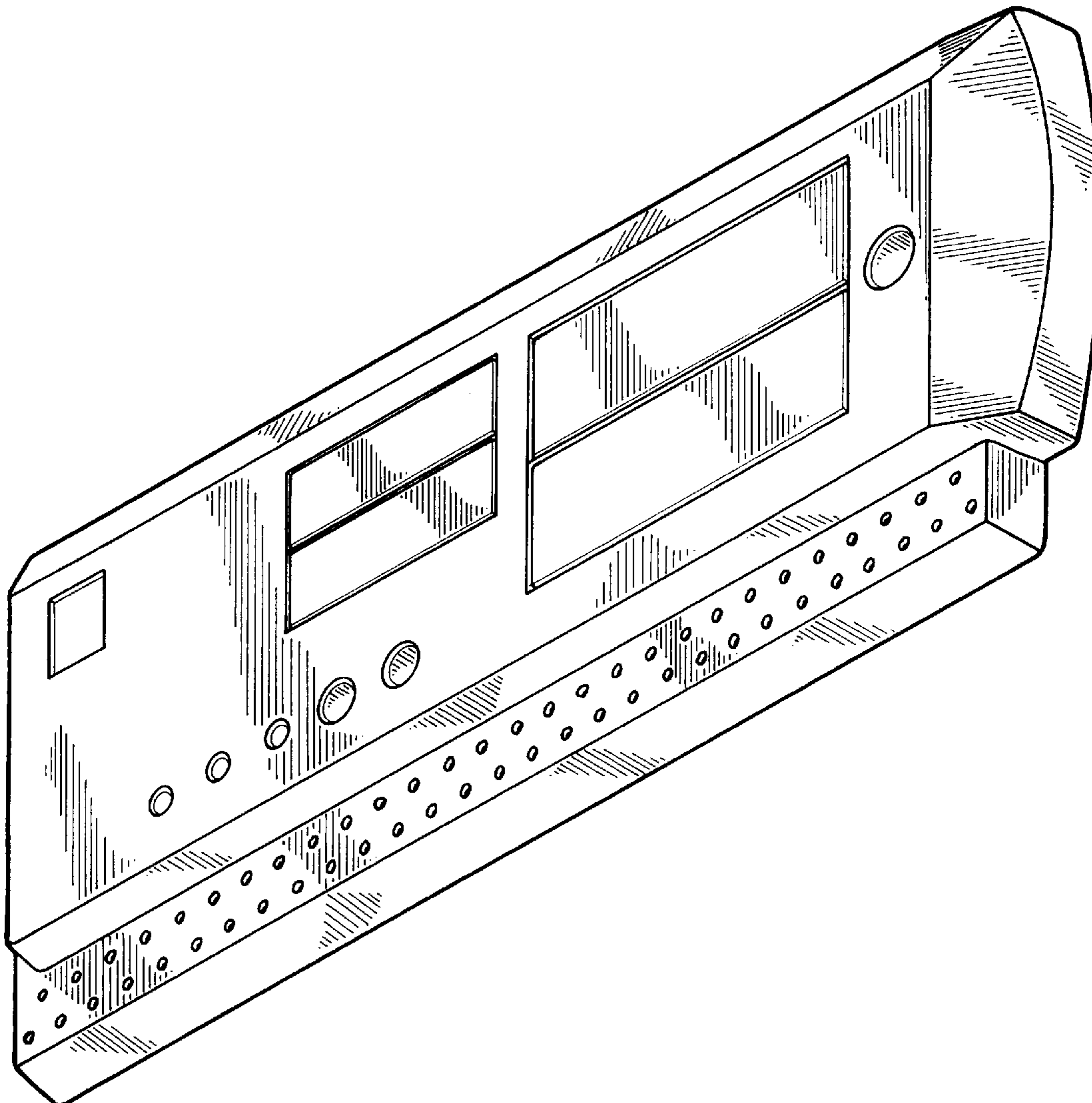


Fig. 1

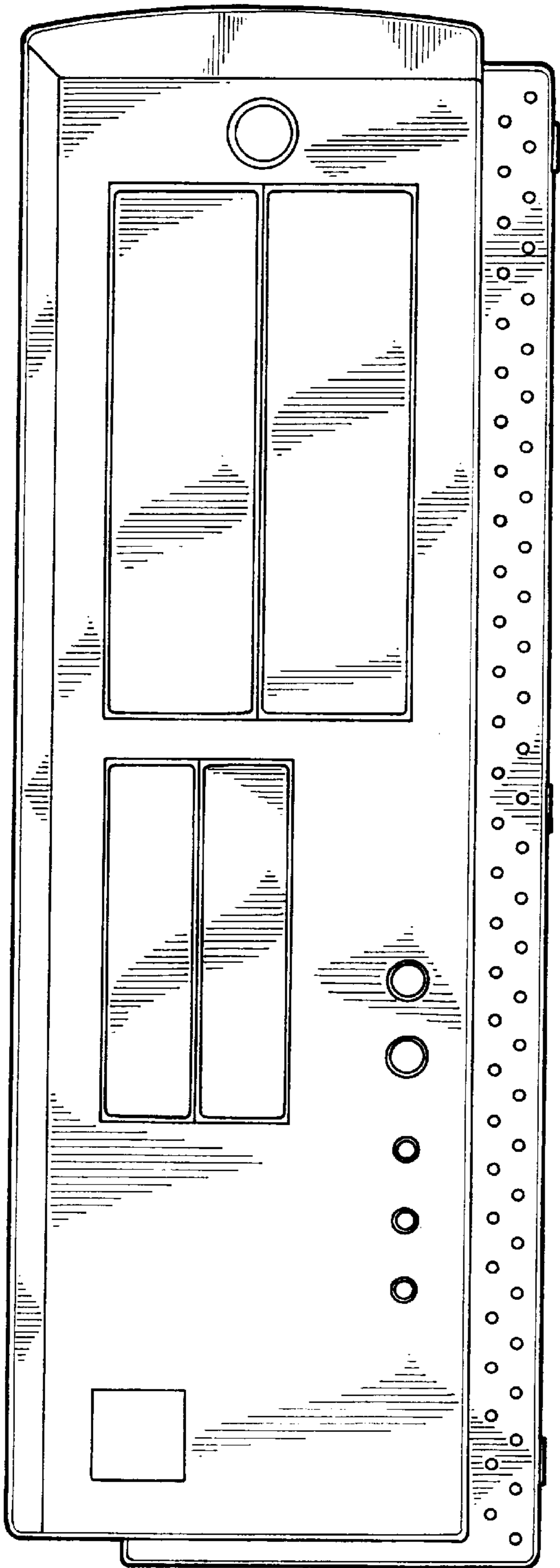
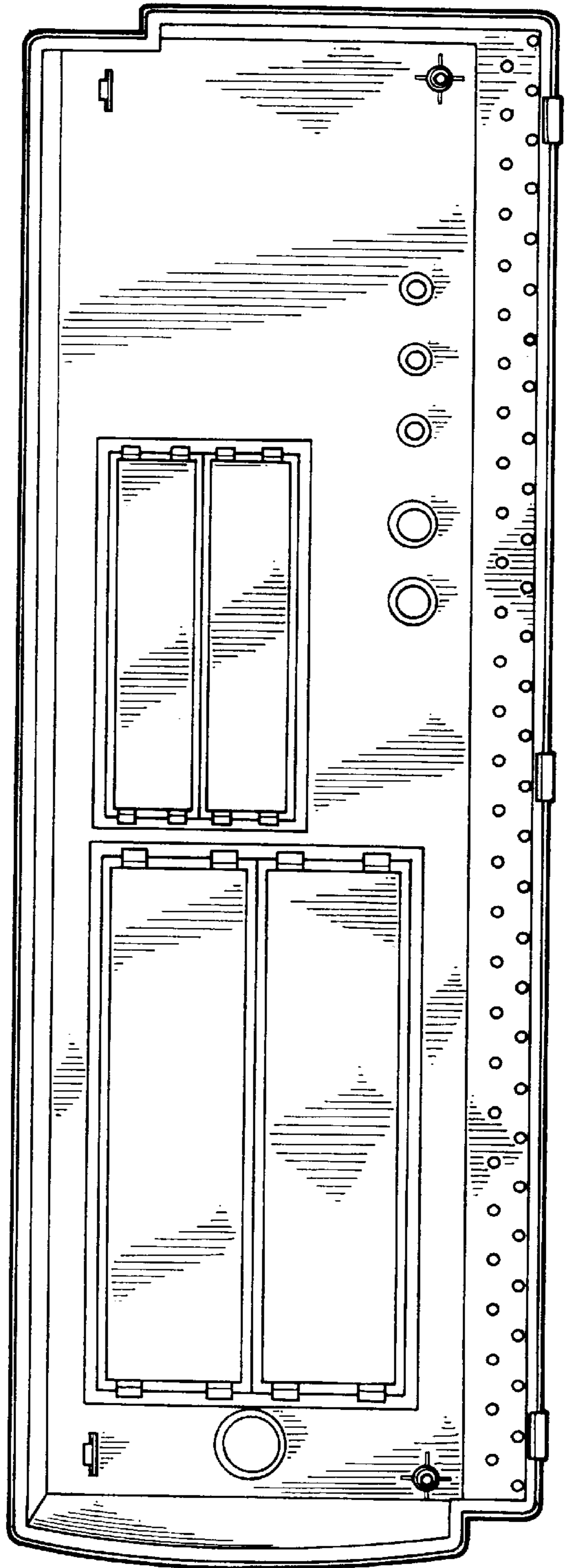


Fig. 2



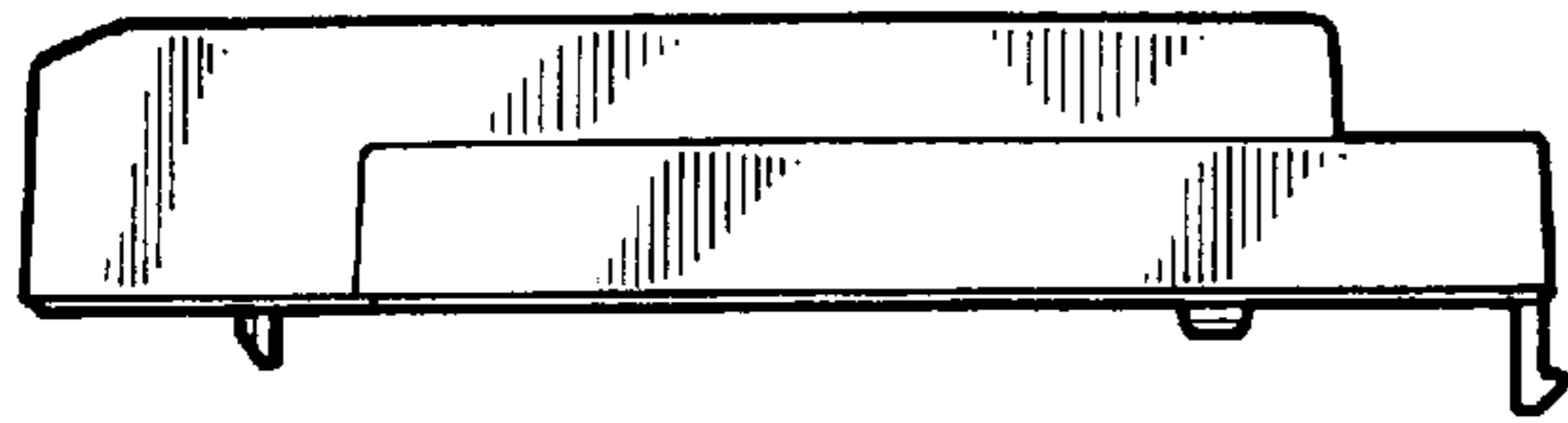


Fig. 3

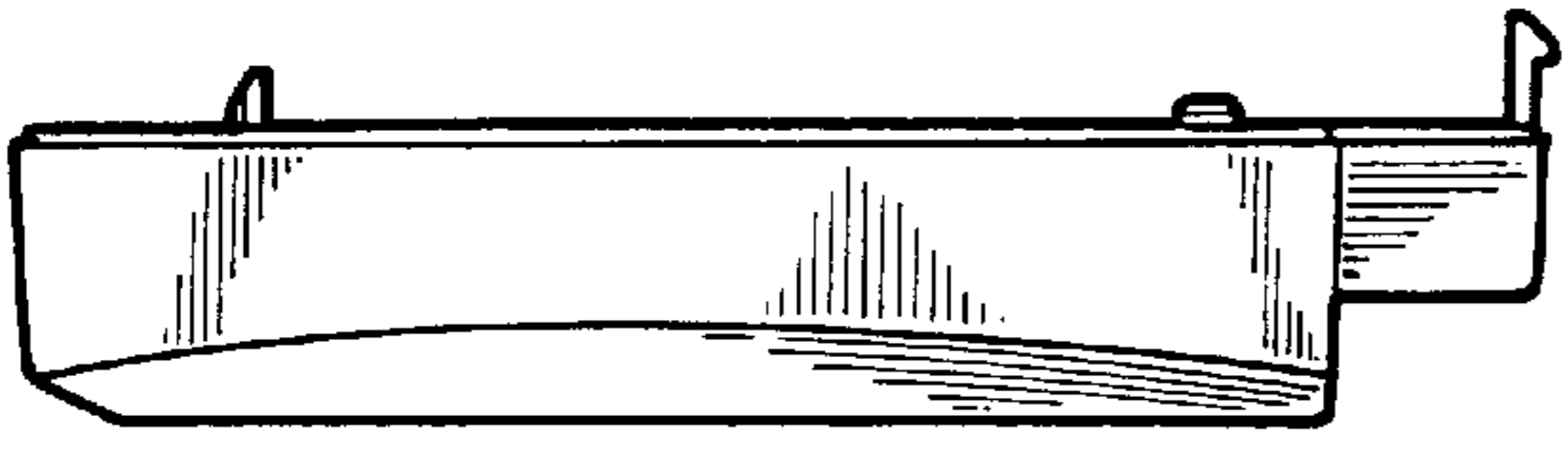


Fig. 4

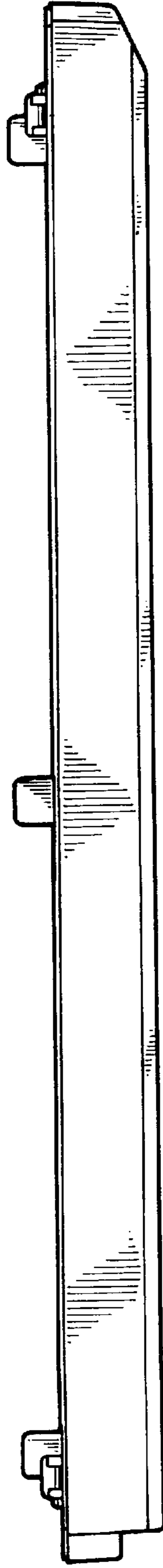


Fig. 5

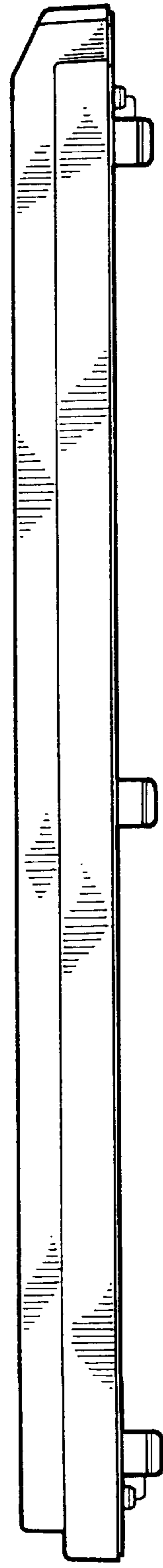


Fig. 6

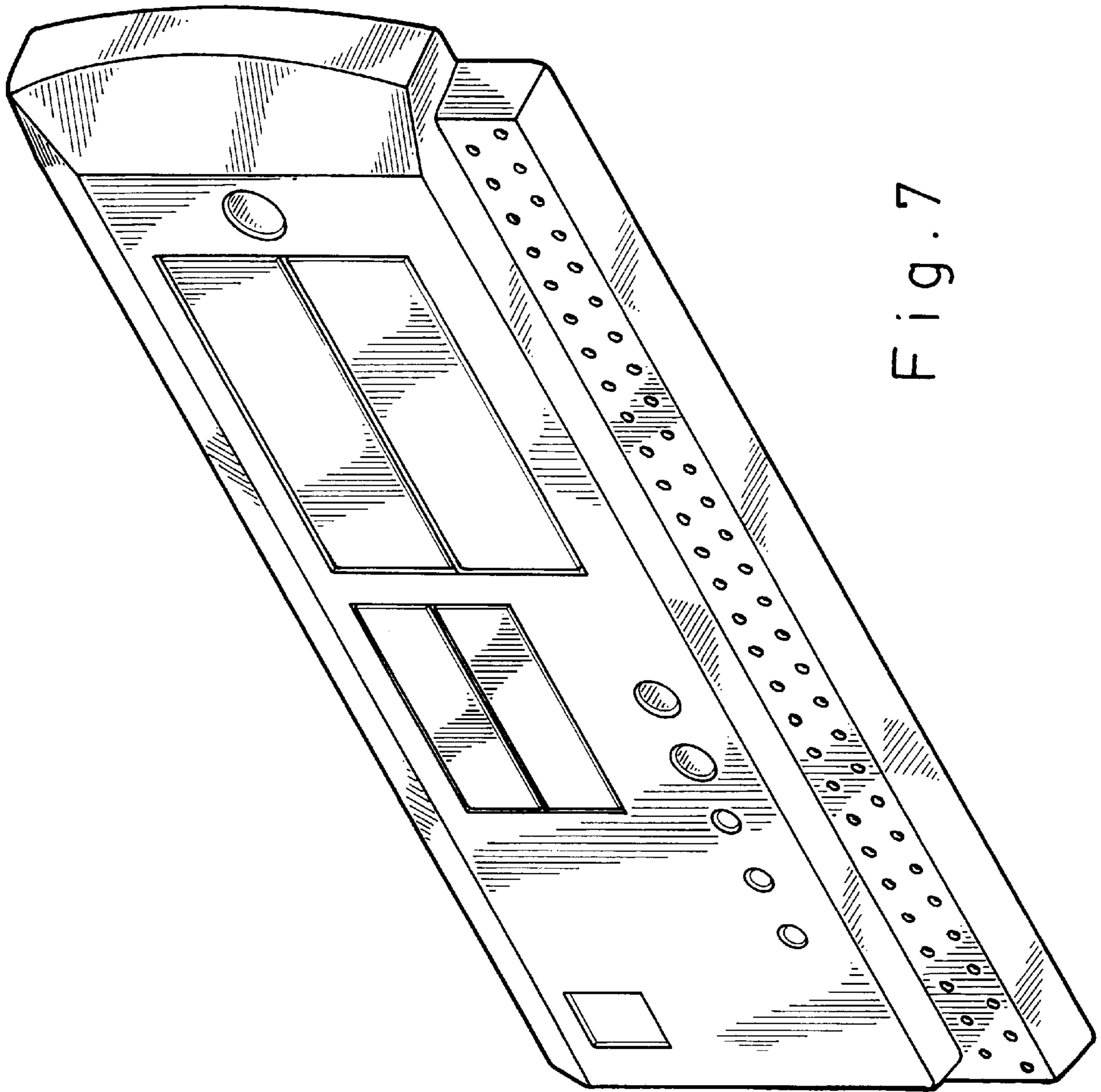


Fig. 7