



US00D421972S

United States Patent [19]

Makidera et al.

[11] Patent Number: **Des. 421,972**

[45] Date of Patent: **** Mar. 28, 2000**

[54] **ELECTRONIC COMPUTER**

[75] Inventors: **Tohru Makidera; Mitsuo Kawa**, both of Nara-ken, Japan

[73] Assignee: **Sharp Kabushiki Kaisha**, Osaka, Japan

[**] Term: **14 Years**

[21] Appl. No.: **29/106,689**

[22] Filed: **Jun. 22, 1999**

[30] **Foreign Application Priority Data**

Dec. 28, 1998 [JP] Japan 10-38571

[51] **LOC (6) Cl.** **14-02**

[52] **U.S. Cl.** **D14/106**

[58] **Field of Search** D14/100, 106, D14/115; D18/1, 2, 7; 235/145 A, 145 R; 341/22, 23; 345/104, 156, 168, 173; 361/680-686; 364/708.1; 400/486, 489

[56] **References Cited**

U.S. PATENT DOCUMENTS

- D. 319,819 9/1991 Kawaguchi D14/106
- D. 328,455 8/1992 Izaki D14/106
- D. 339,114 9/1993 Mizusugi et al. D14/106
- 5,355,279 10/1994 Lee et al. 361/681

Primary Examiner—Freda Nunn
Attorney, Agent, or Firm—Nixon & Vanderhye

[57] **CLAIM**

The ornamental design for an electronic computer, as shown and described.

DESCRIPTION

FIG. 1 is a top, front and right side perspective view of an electronic computer according to our design;
 FIG. 2 is a top plan view thereof;
 FIG. 3 is a front elevational view thereof;
 FIG. 4 is a right side elevational view thereof;
 FIG. 5 is a left side elevational view thereof;
 FIG. 6 is a rear elevational view thereof;
 FIG. 7 is a bottom plan view thereof;
 FIG. 8 is a bottom, left side and rear perspective view thereof in a closed position;
 FIG. 9 is a perspective view illustrating the electronic computer hereof with the keyboard separated from the computer;
 FIG. 10 is a top plan view of the electronic computer hereof without the keyboard and with the base rotated 180°;
 FIG. 11 is a front elevational view of the electronic computer illustrated in FIG. 10;
 FIG. 12 is a right side elevational view of an electronic computer without the keyboard and with the base rotated 180°;
 FIG. 13 is a left side elevational view thereof;
 FIG. 14 is a rear elevational view thereof; and,
 FIG. 15 is a bottom plan view thereof.

1 Claim, 15 Drawing Sheets

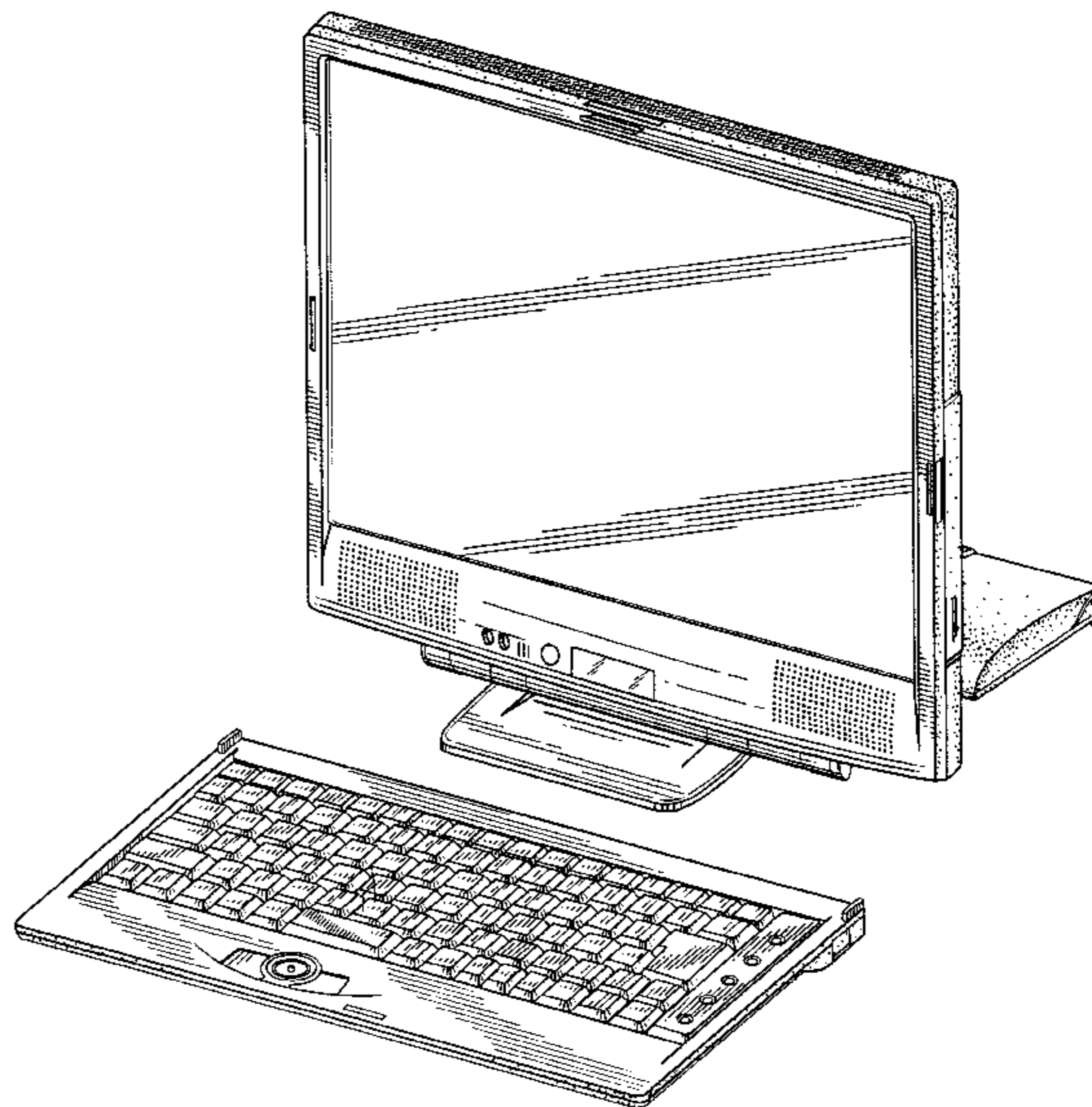
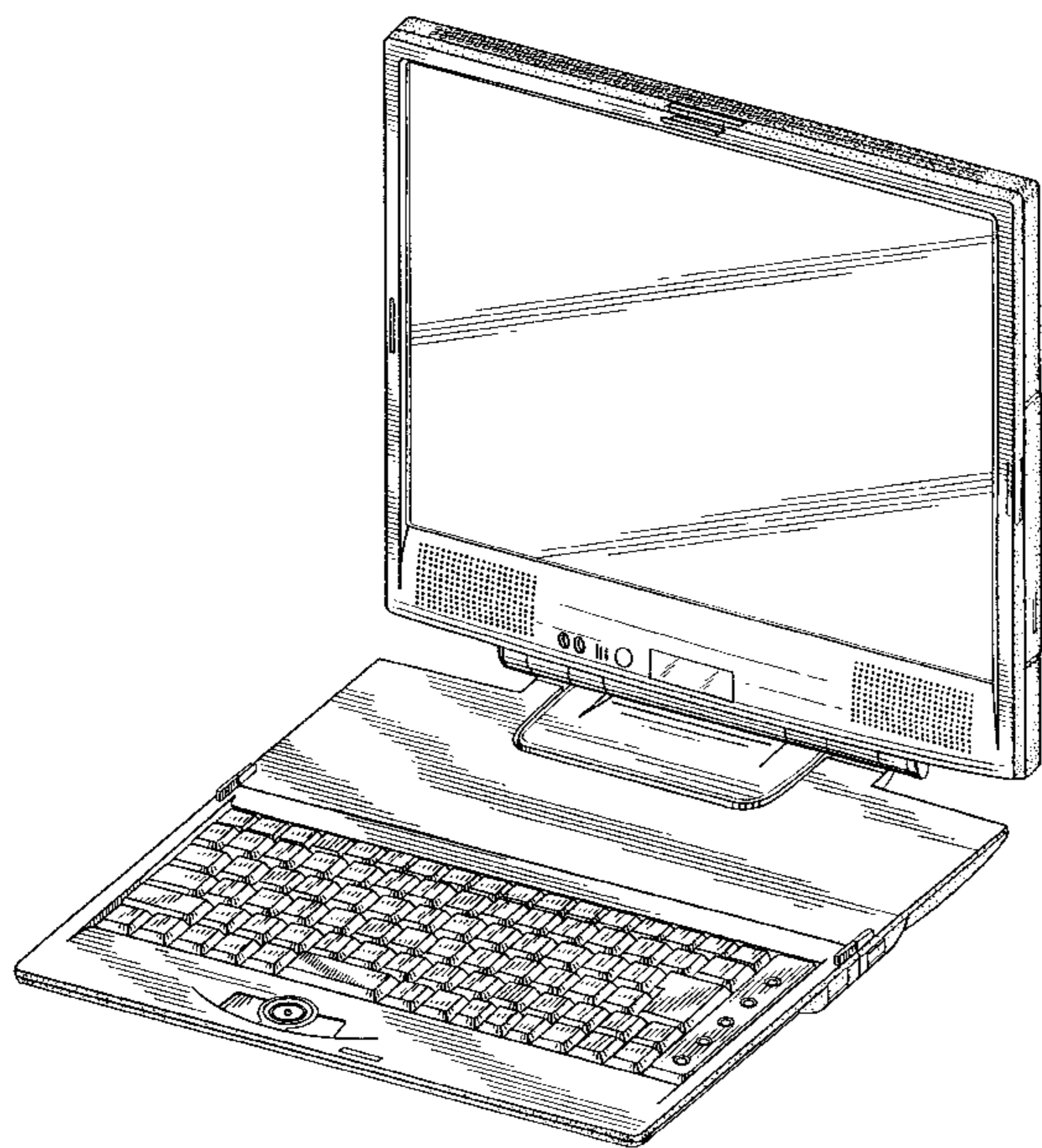


Fig. 1

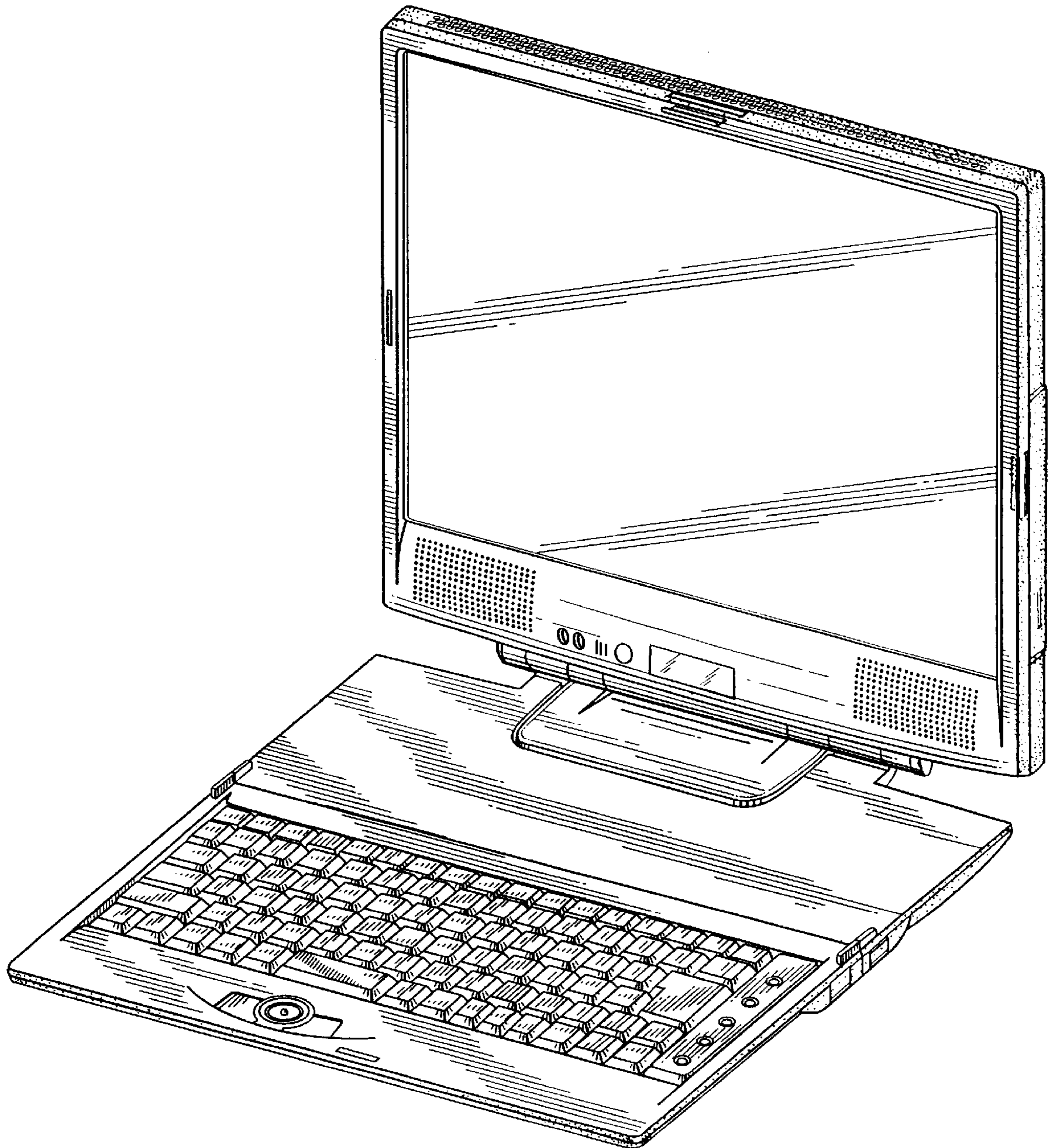


Fig. 2

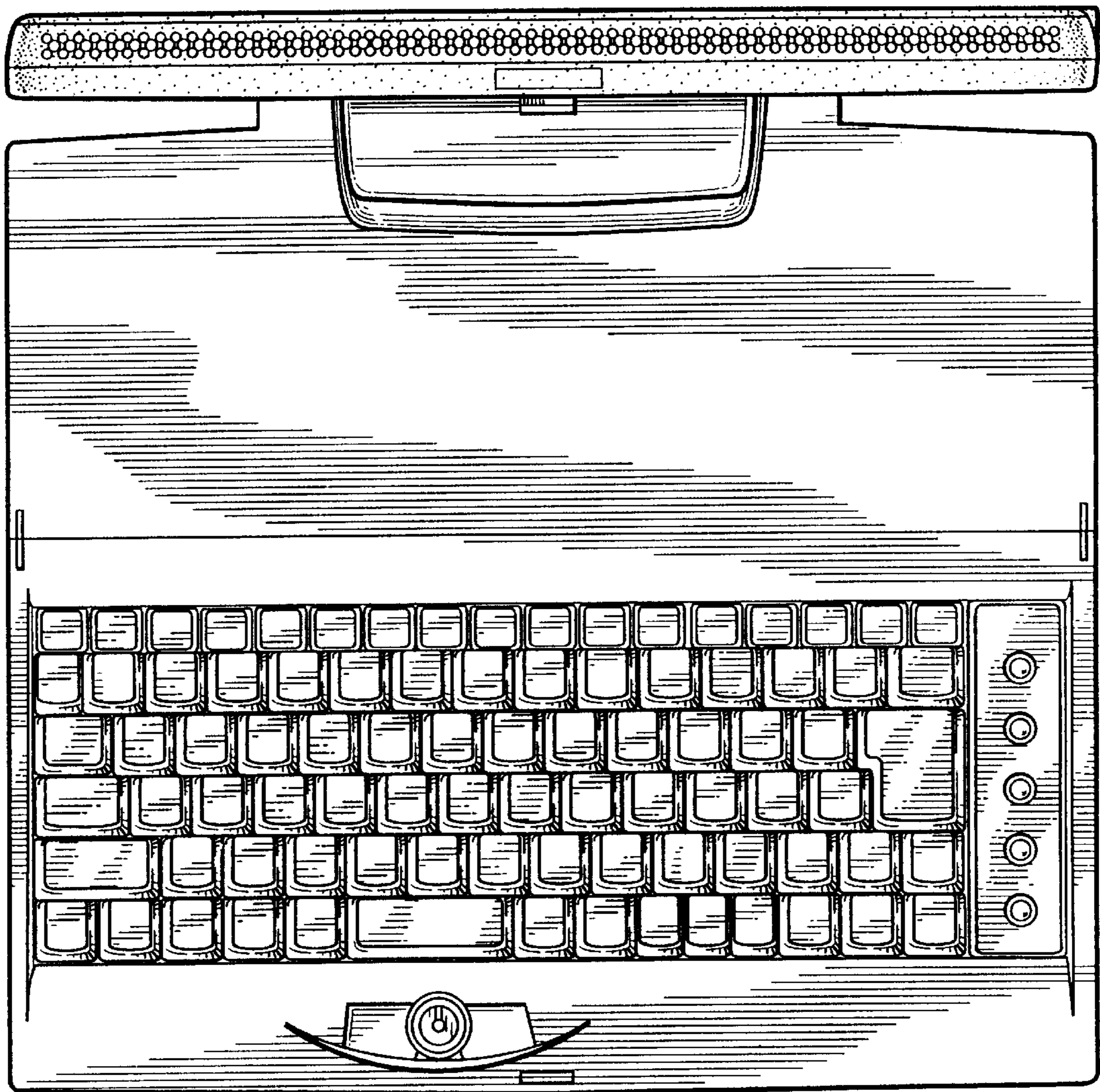


Fig. 3

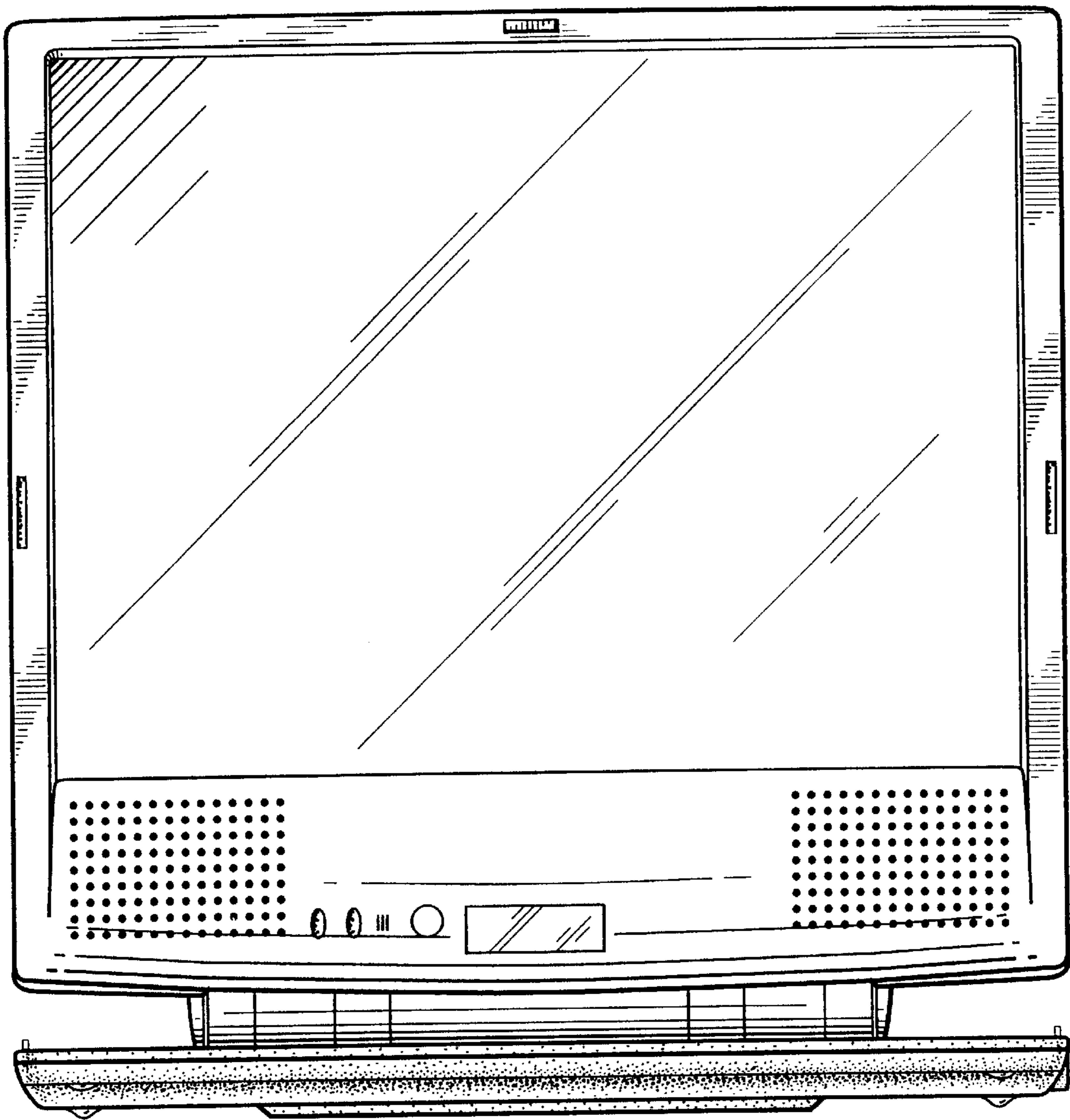


Fig. 4

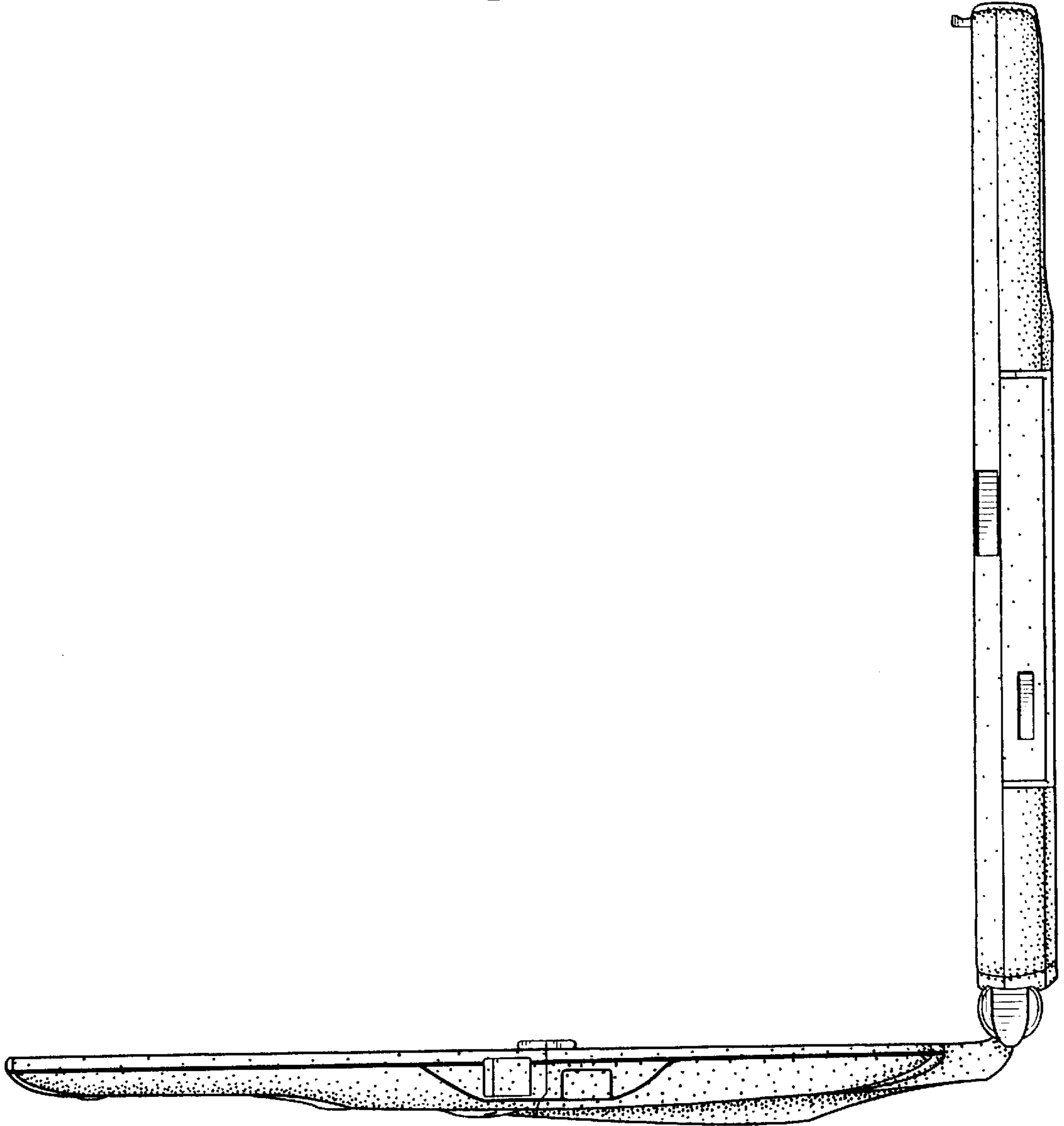


Fig. 5

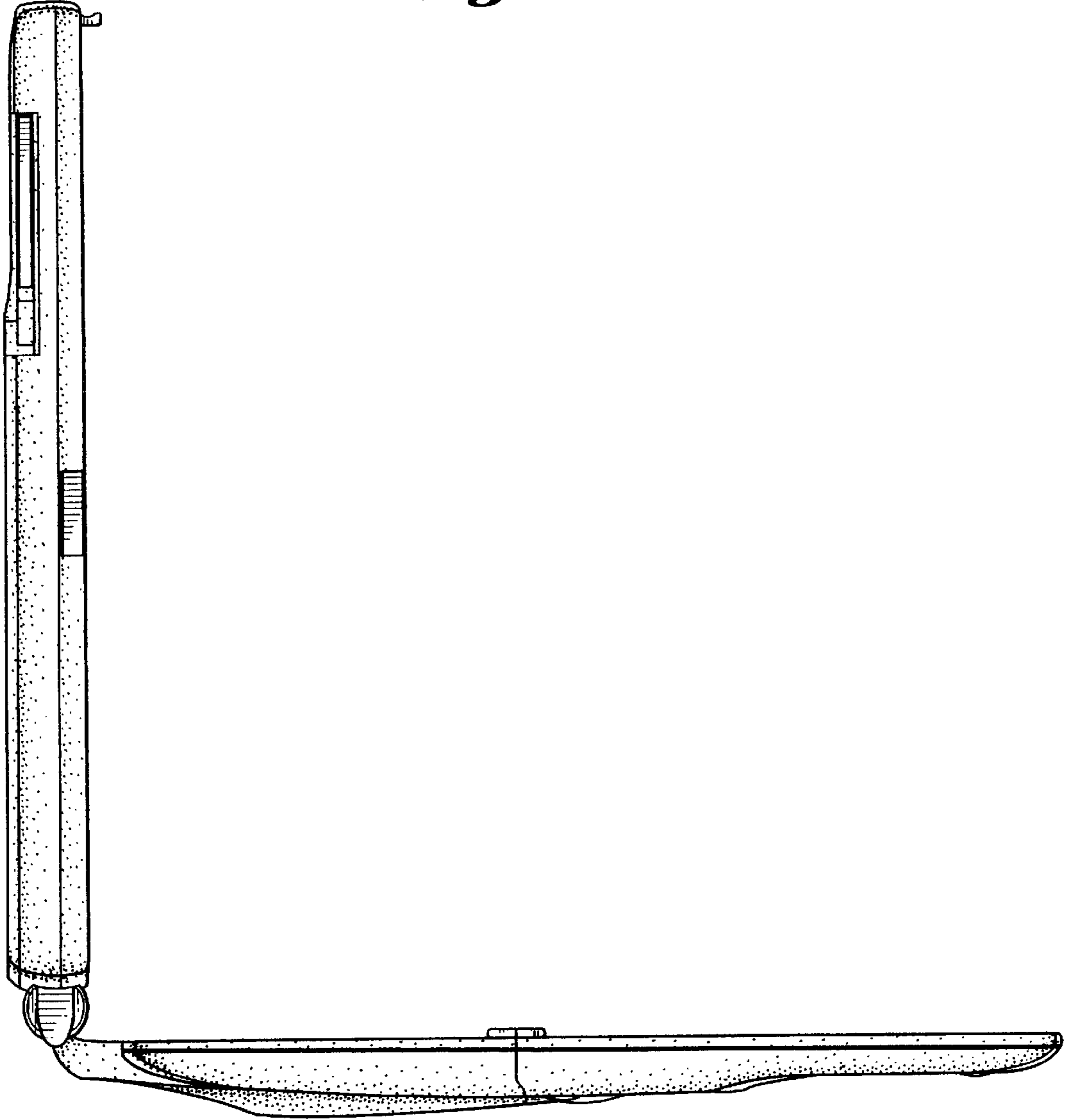


Fig. 6

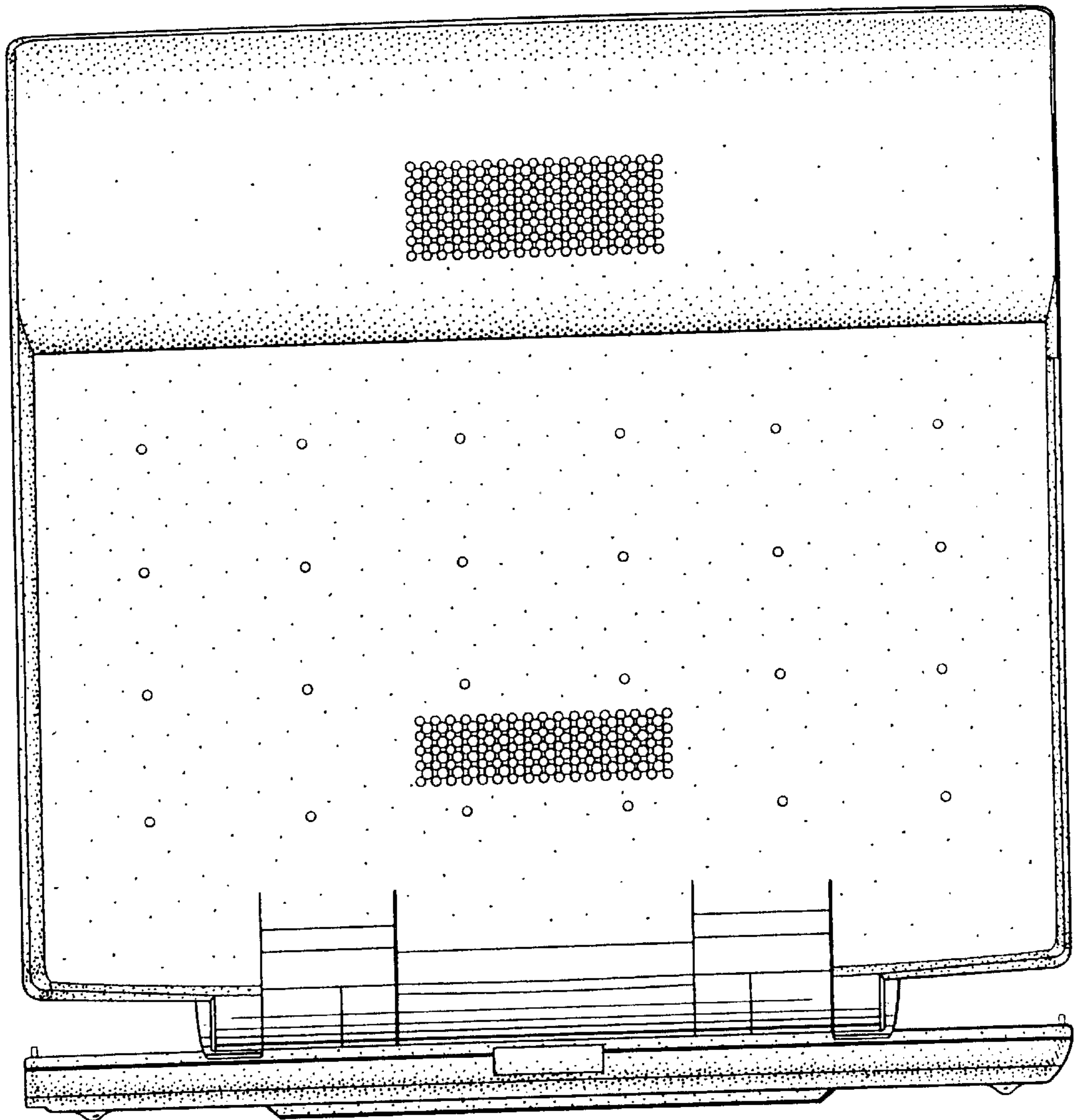


Fig. 7

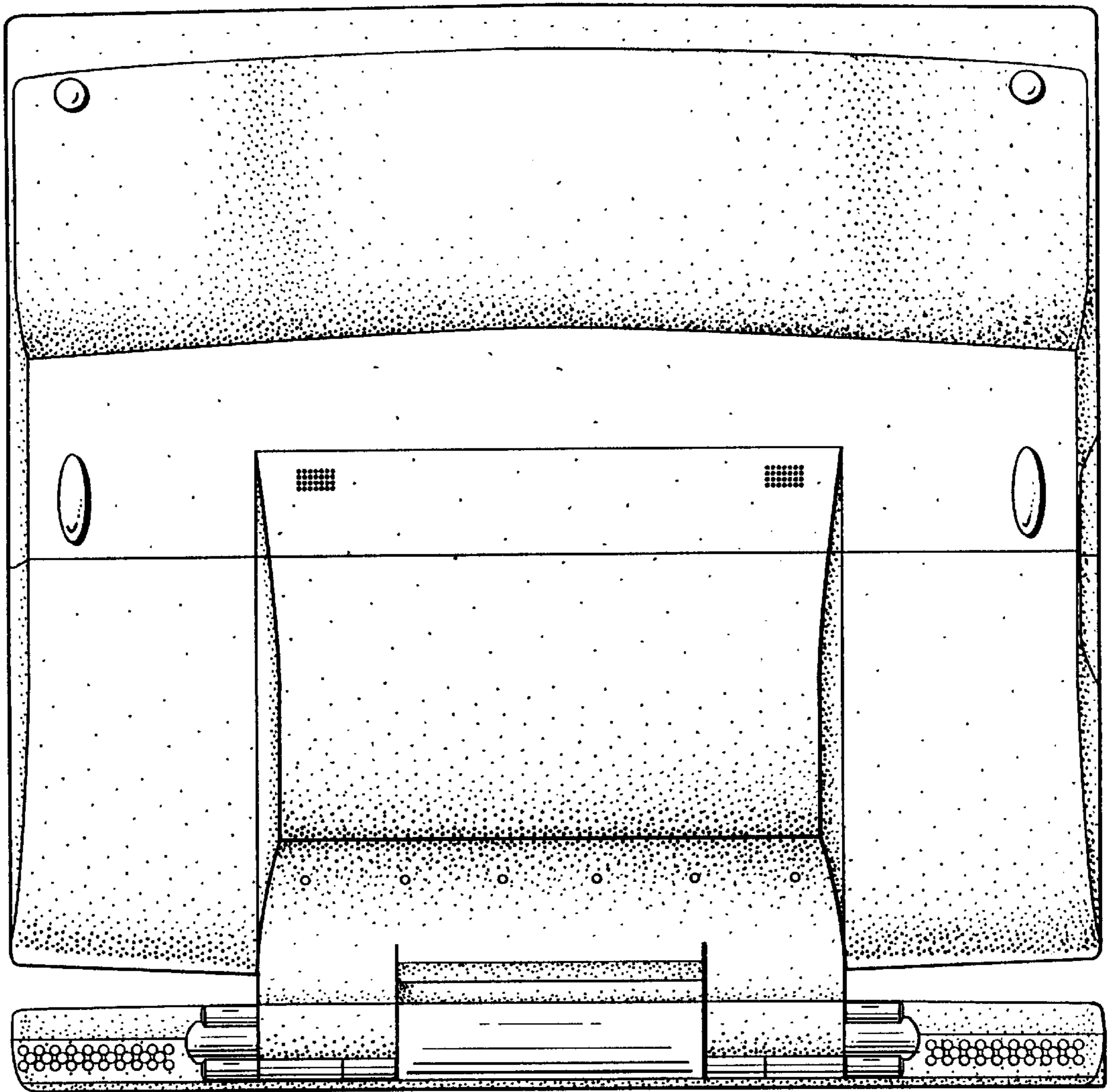
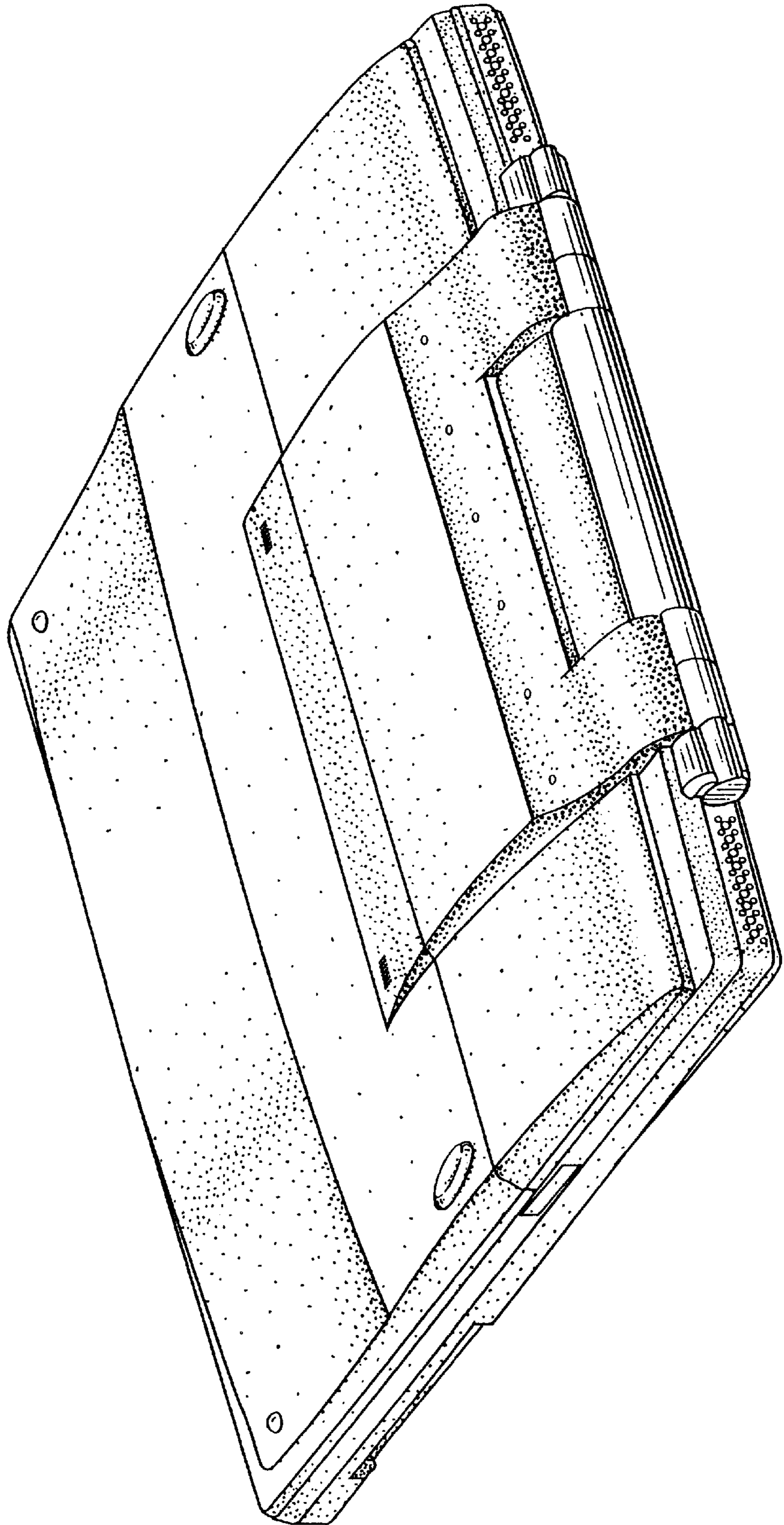


Fig. 8



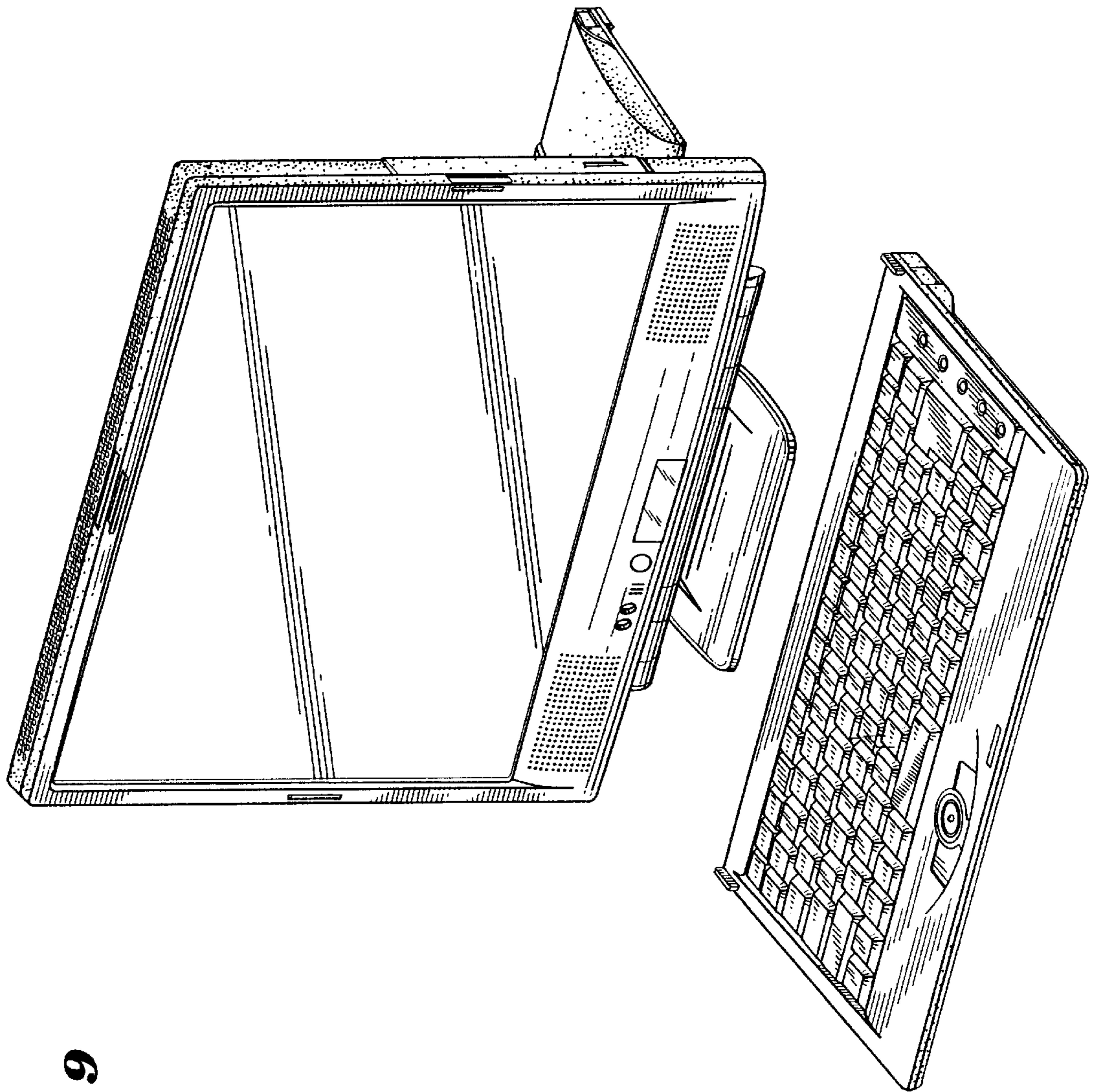


Fig. 9

Fig. 10

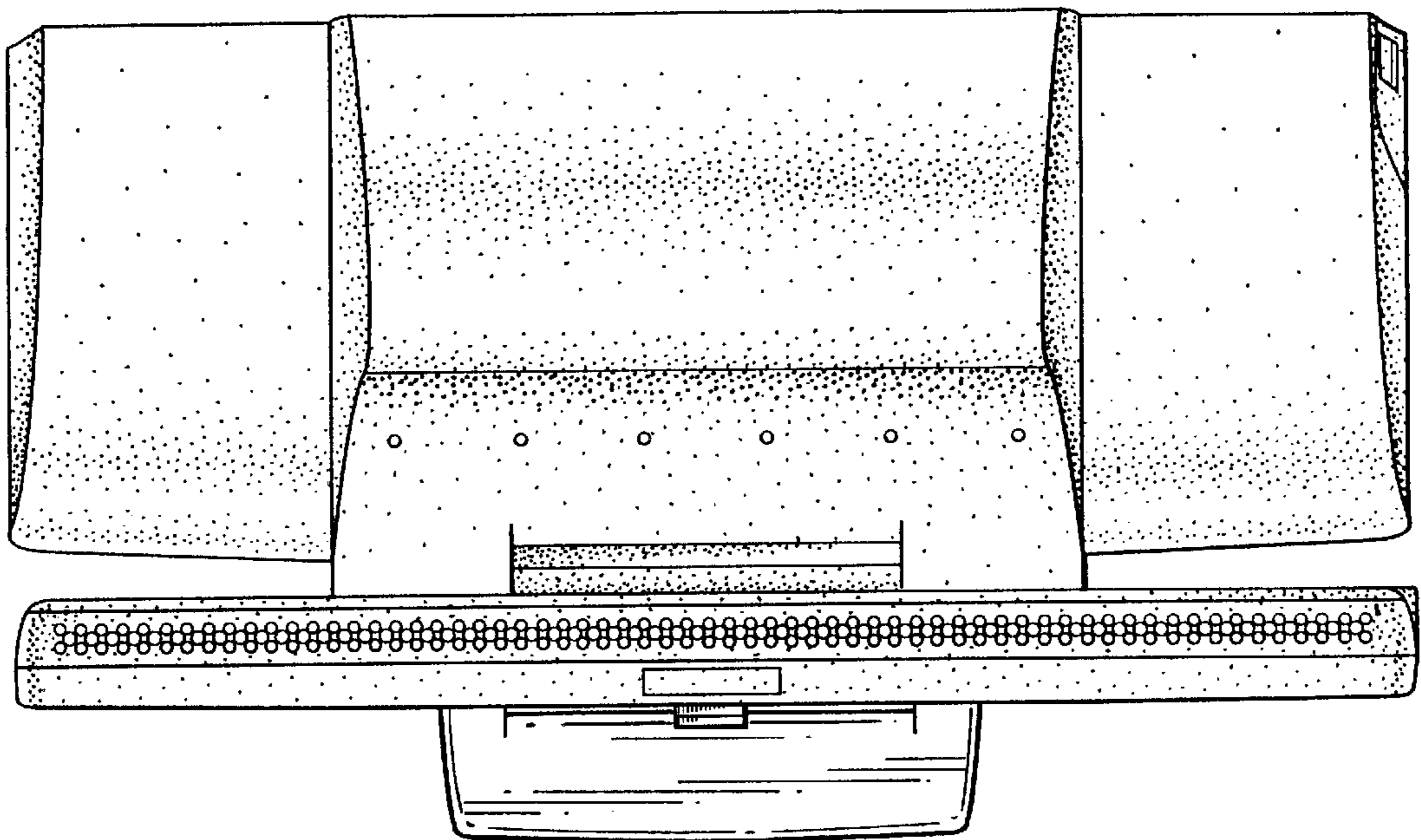


Fig. 11

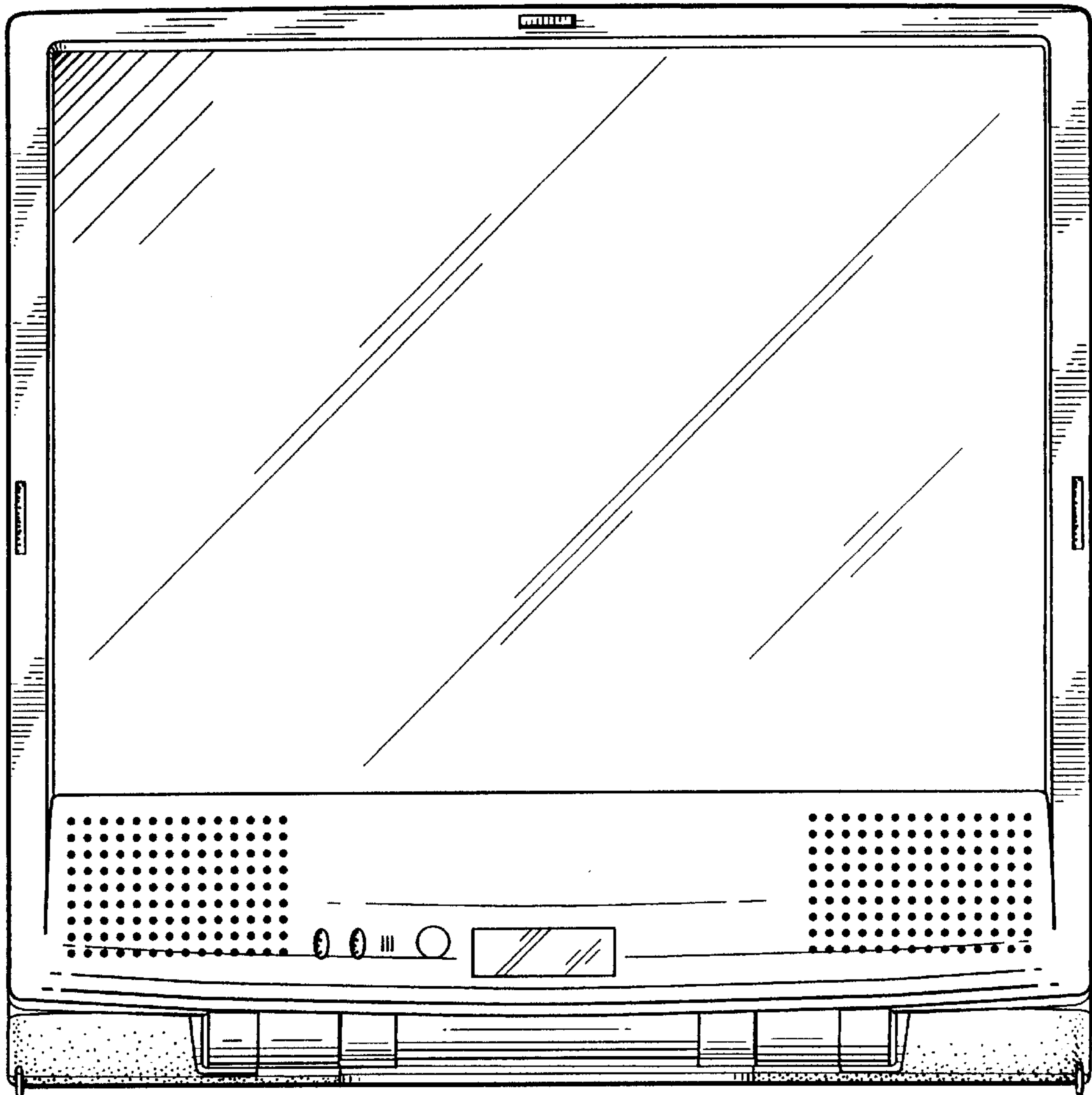


Fig. 12

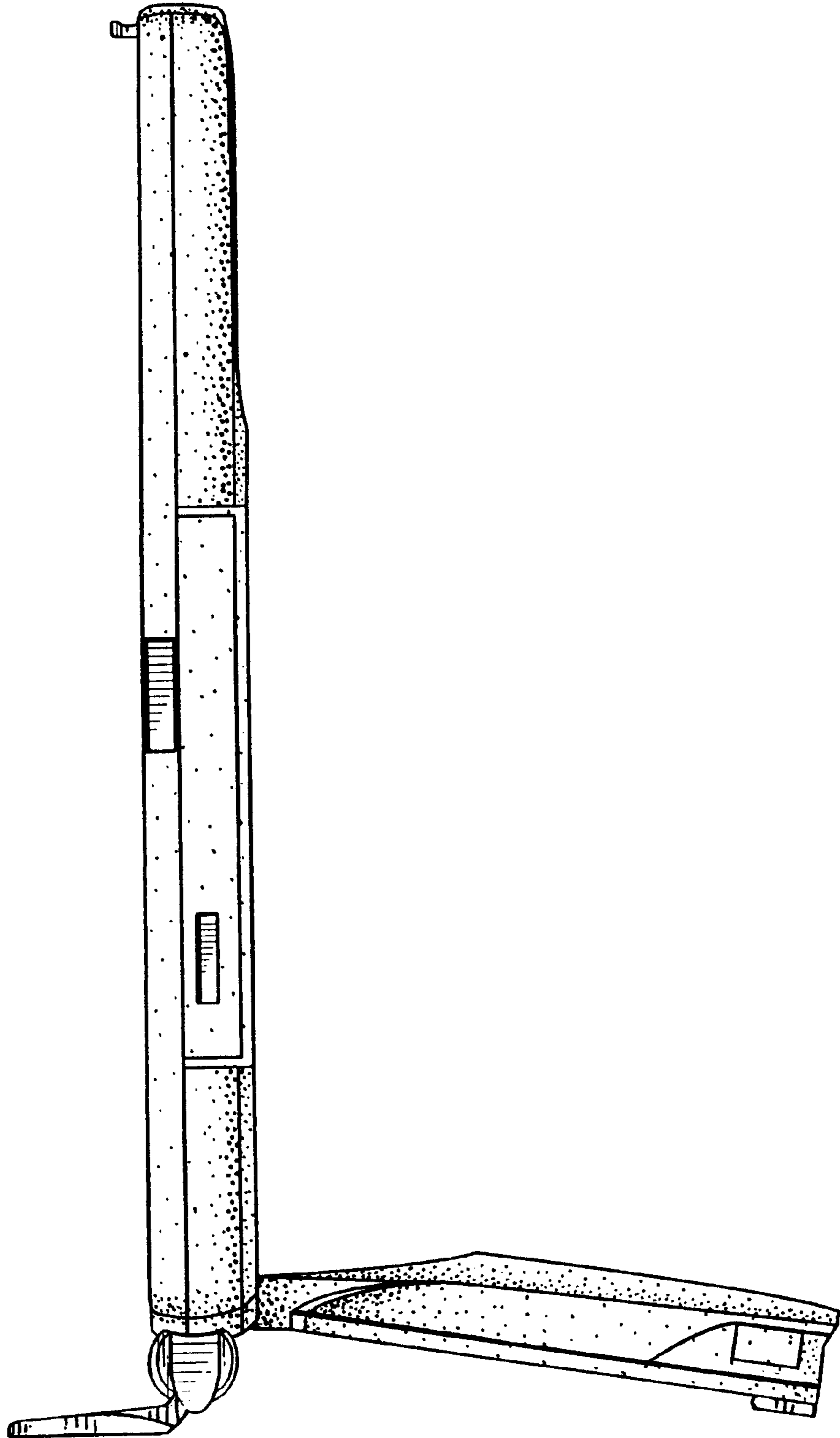


Fig. 13

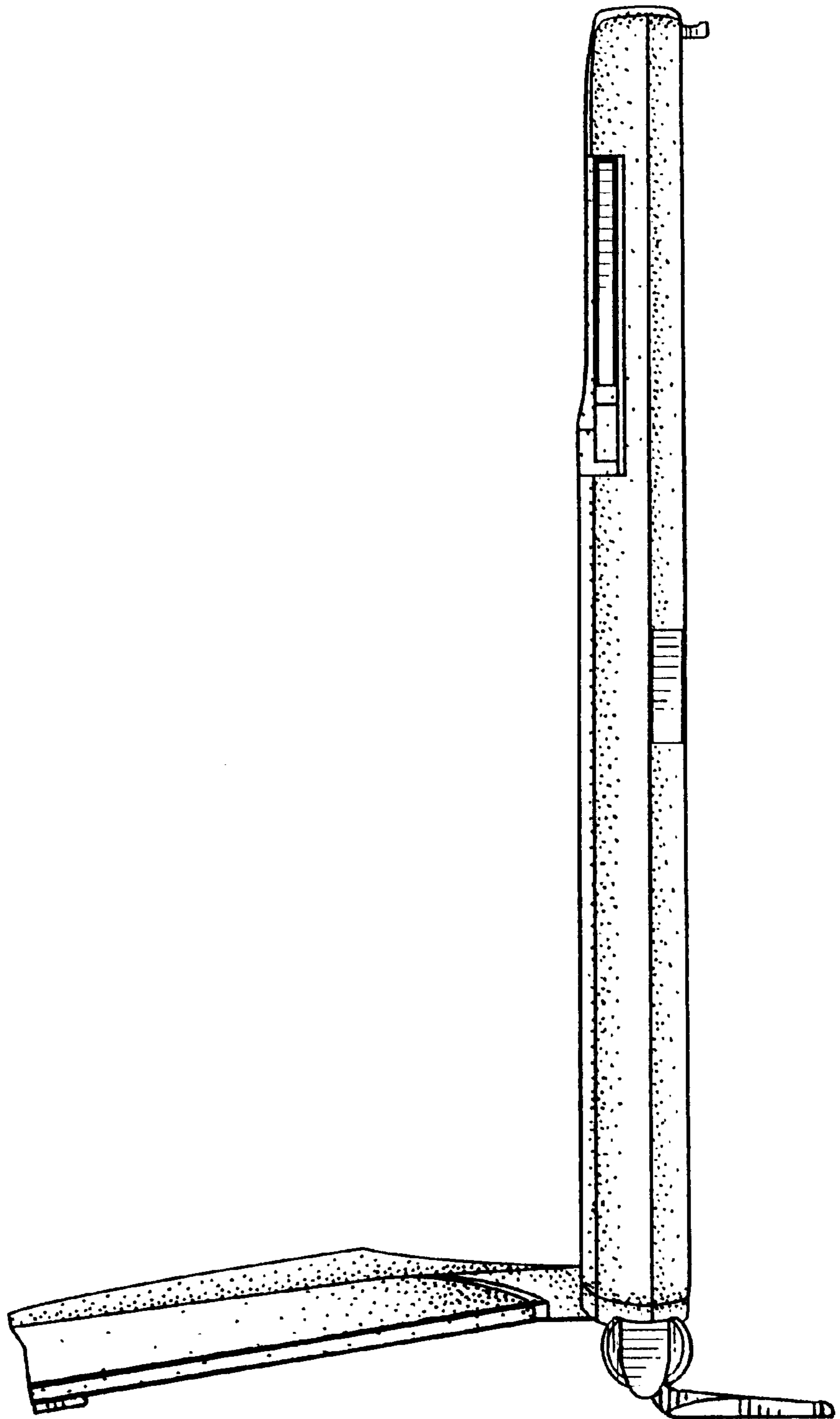


Fig. 14

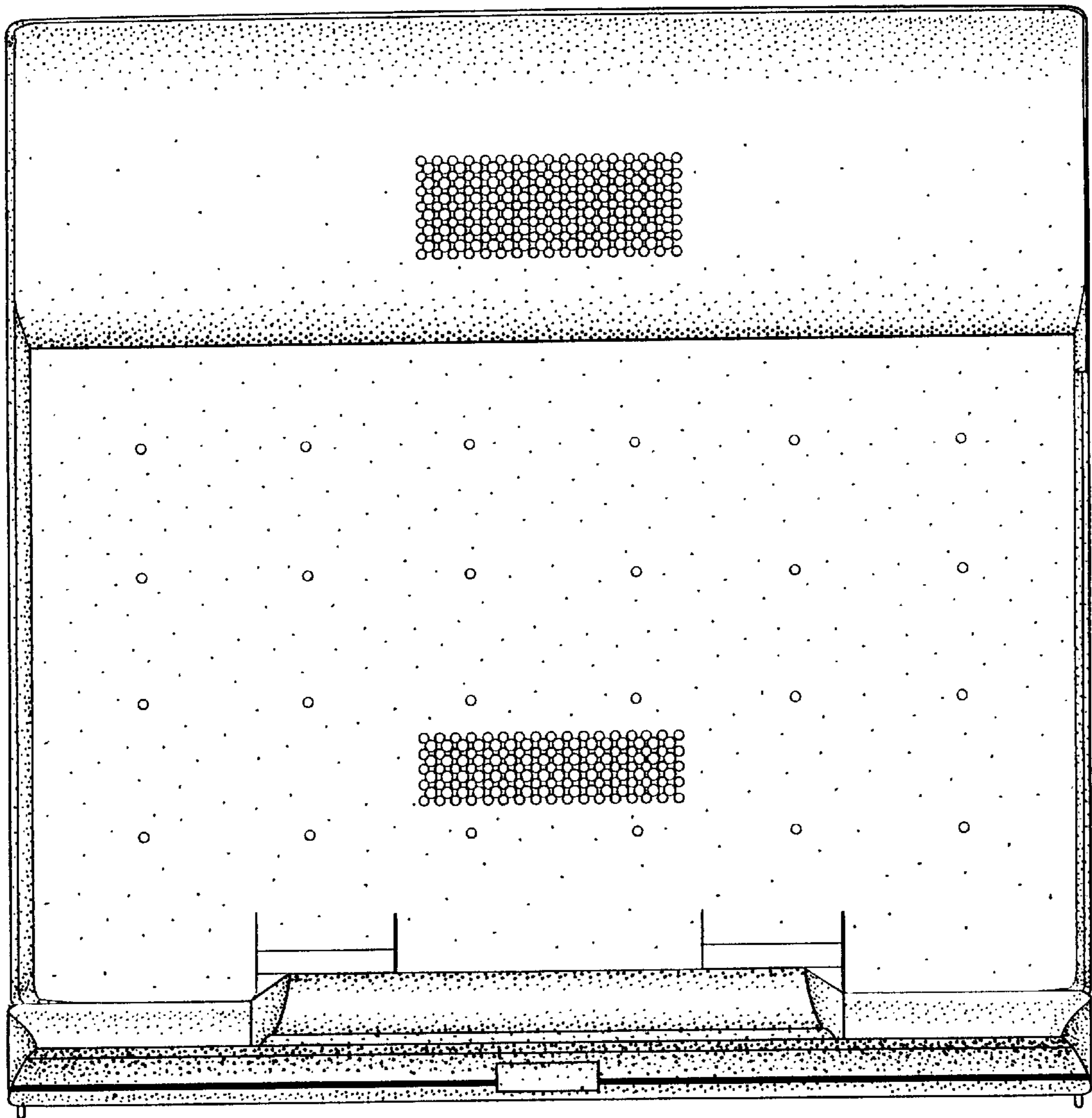


Fig. 15

