



US00D421971S

United States Patent [19] Liang

[11] **Patent Number: Des. 421,971**
[45] **Date of Patent: ** Mar. 28, 2000**

[54] **DESKTOP COMPUTER**

[75] Inventor: **Pouch Liang**, Taipei, Taiwan

[73] Assignee: **Hon Hai Precision Ind. Co., Ltd.**,
Taipei Hsien, Taiwan

[**] Term: **14 Years**

[21] Appl. No.: **29/106,468**

[22] Filed: **Jun. 15, 1999**

[51] **LOC (6) Cl.** **14-02**

[52] **U.S. Cl.** **D14/100**

[58] **Field of Search** D14/100, 102,
D14/107-109; D13/162, 184, 199; D6/432,
436, 445, 448; 312/194; 360/99.12; 361/694,
696; 369/34, 36

[56] **References Cited**

U.S. PATENT DOCUMENTS

D. 370,208 5/1996 Esslinger D14/100

D. 378,515 3/1997 Senshiki D14/100
D. 381,639 7/1997 Fraquelli et al. D14/100
D. 393,246 4/1998 Fynn et al. D14/100

Primary Examiner—Freda Nunn
Attorney, Agent, or Firm—Wei Te Chung

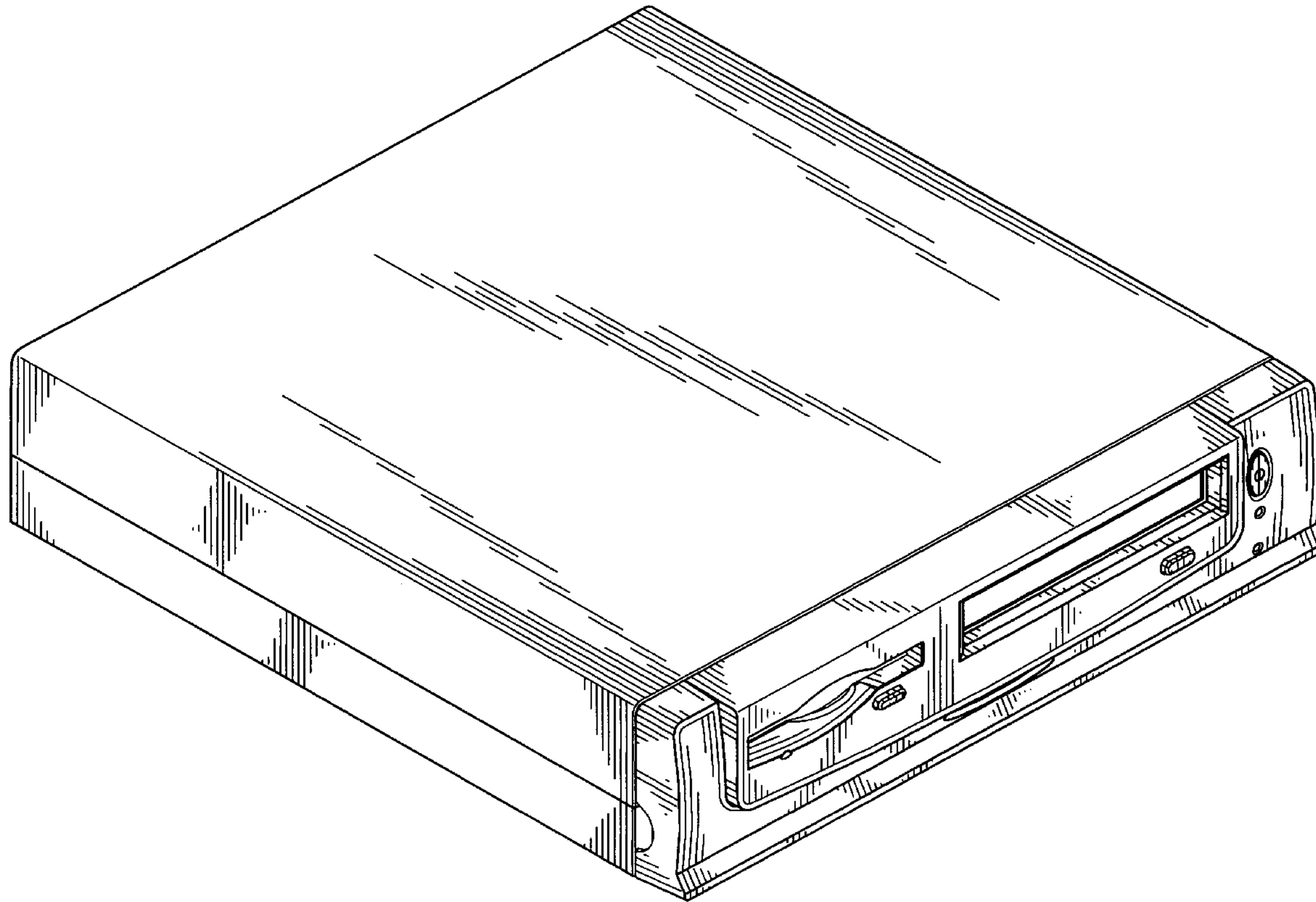
[57] **CLAIM**

The ornamental design for a desktop computer, as shown.

DESCRIPTION

FIG. 1 is a perspective view of a desktop computer showing my new design;
FIG. 2 is a front elevational view thereof;
FIG. 3 is a rear elevational view thereof;
FIG. 4 is a left side elevational view thereof;
FIG. 5 is a right side elevational view thereof;
FIG. 6 is a top plan view thereof; and,
FIG. 7 is a bottom plan view thereof.

1 Claim, 7 Drawing Sheets



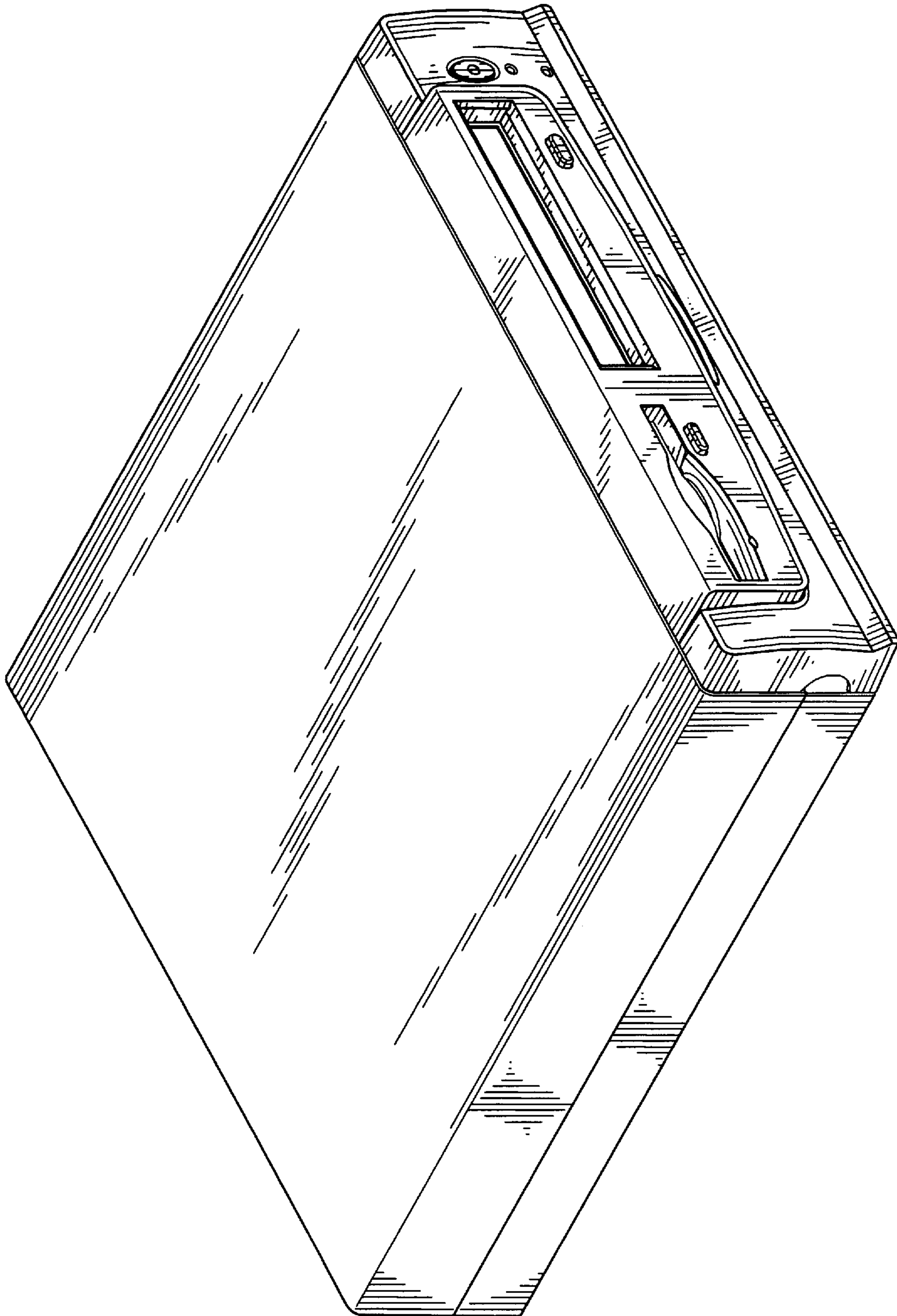


FIG.1

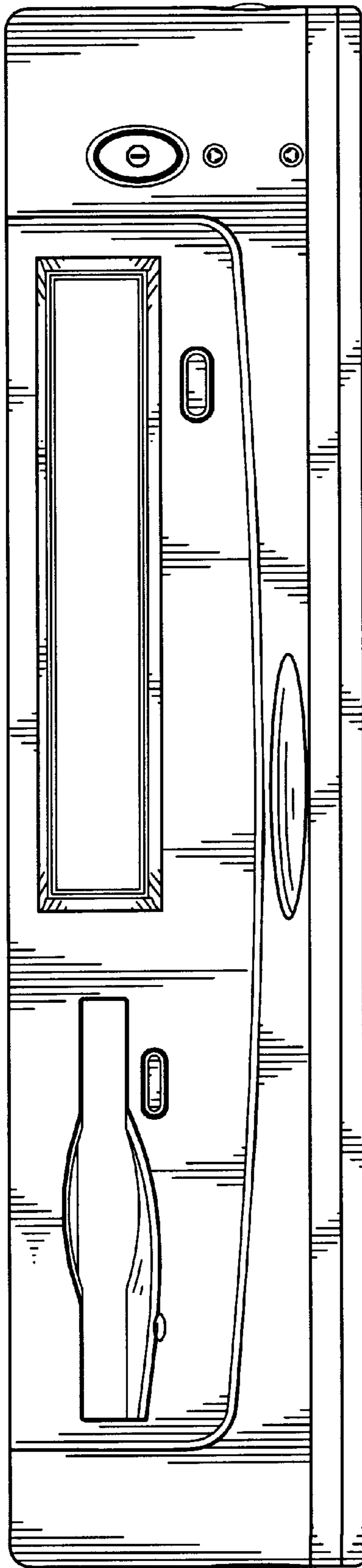


FIG.2

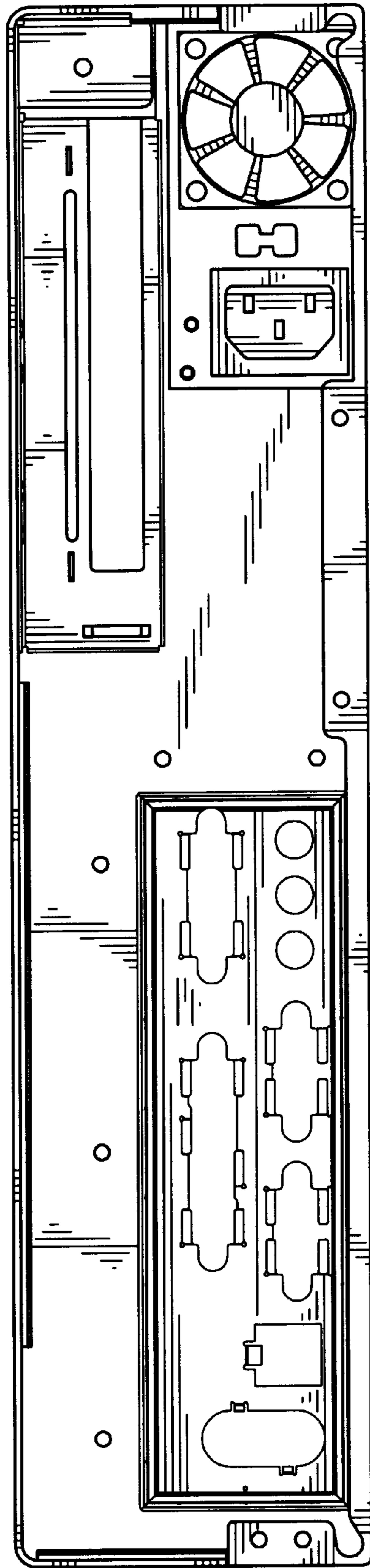


FIG. 3

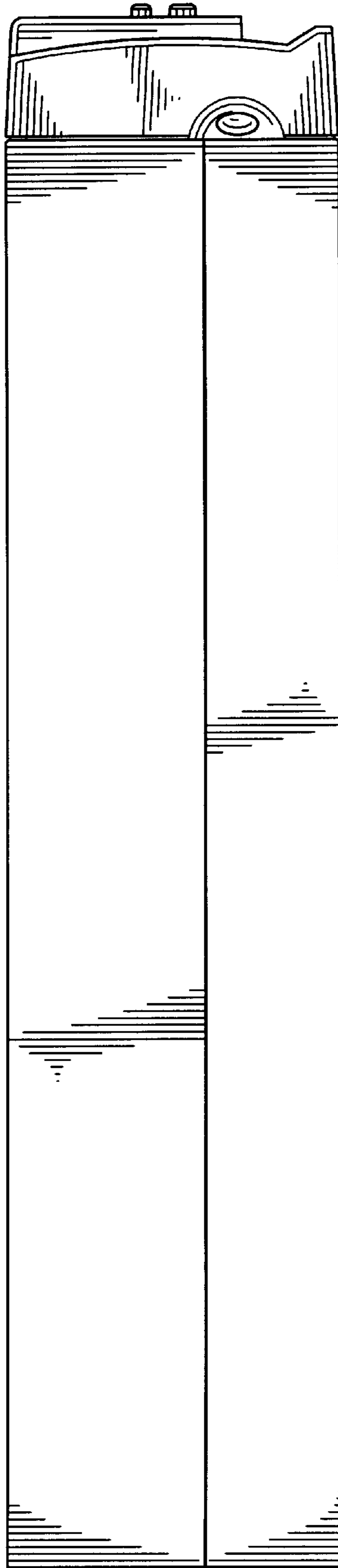


FIG.4

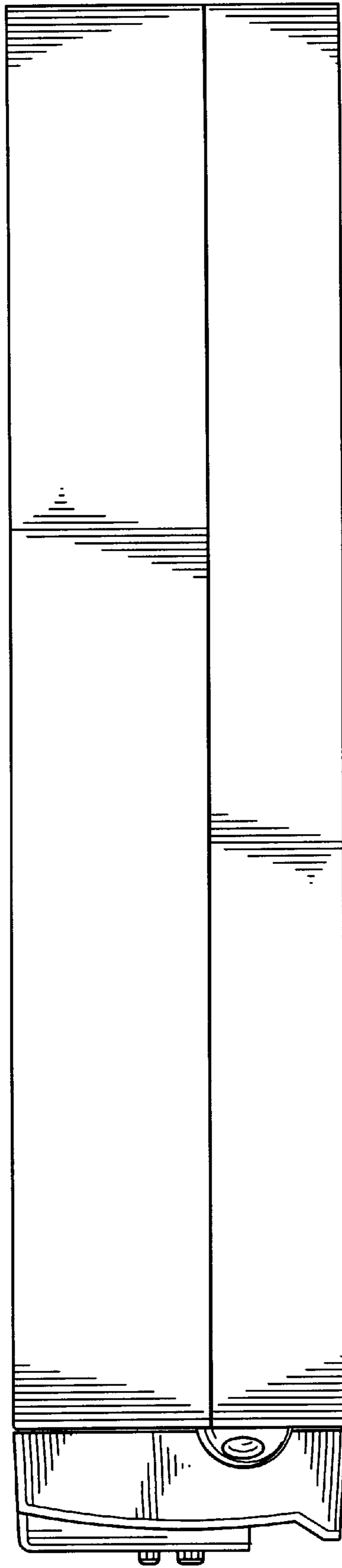


FIG. 5

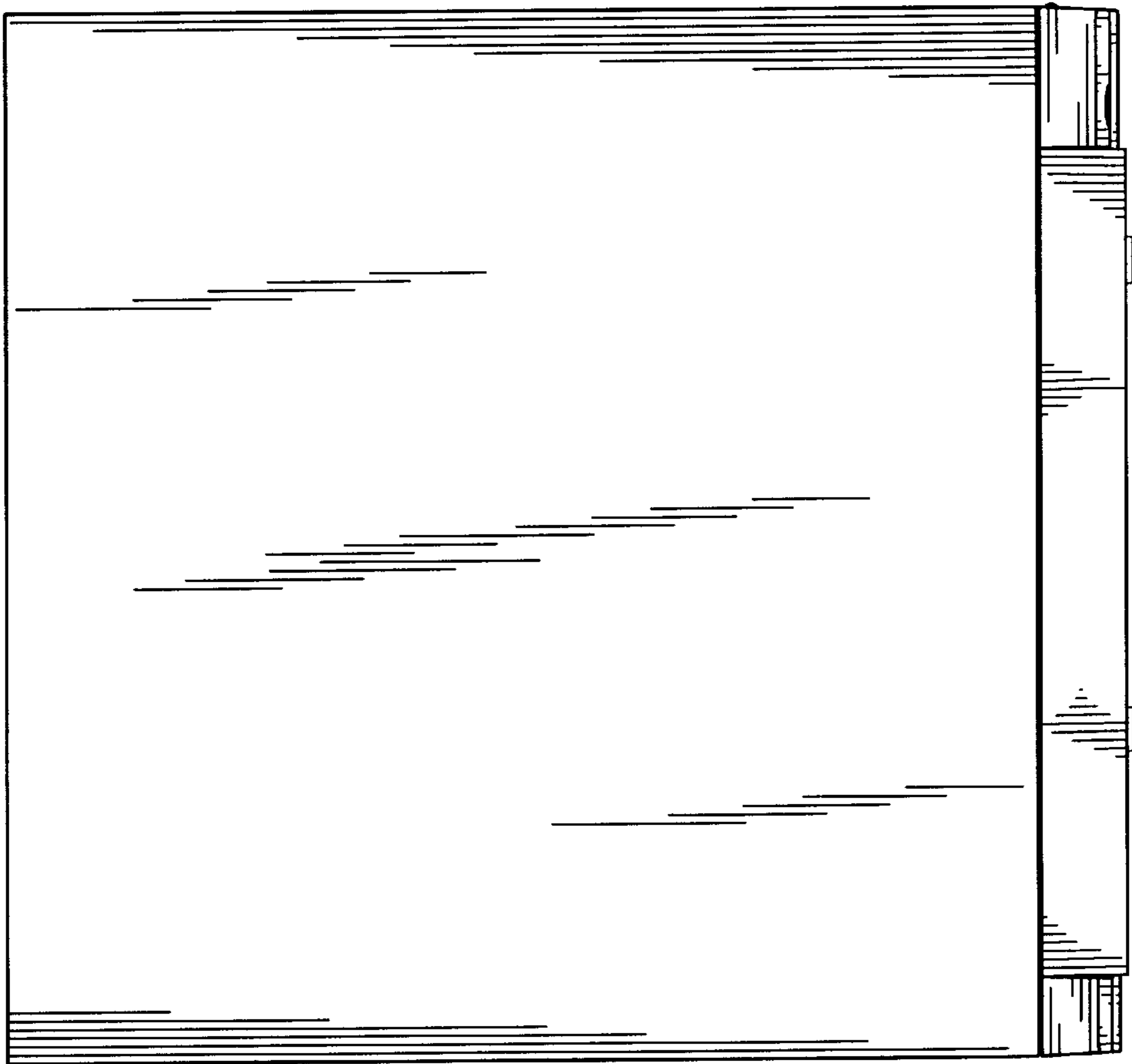


FIG.6

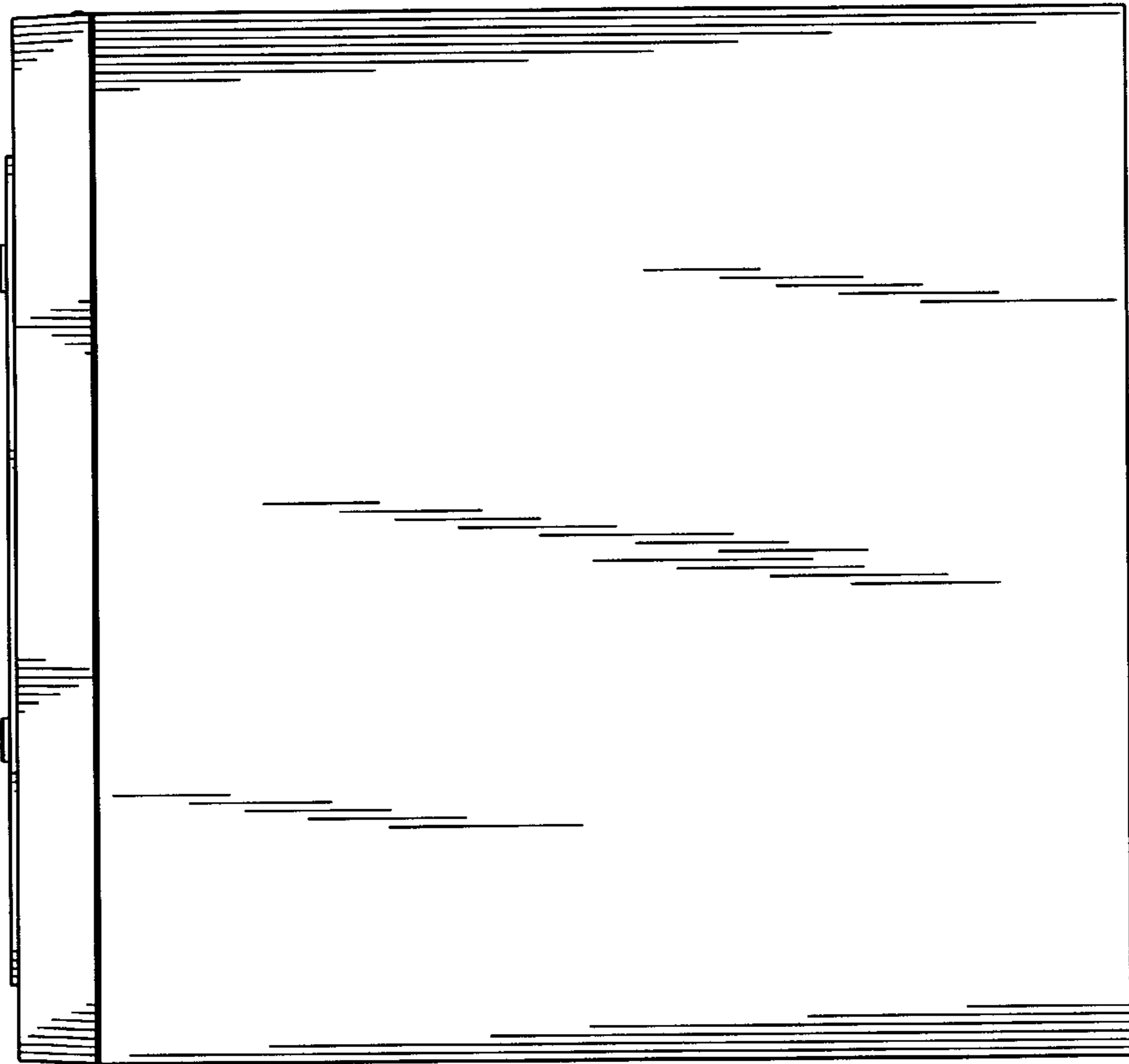


FIG. 7