



US00D421969S

United States Patent [19]

Kawafuji et al.

[11] Patent Number: **Des. 421,969**

[45] Date of Patent: **** Mar. 28, 2000**

[54] SEMICONDUCTOR DEVICE

[75] Inventors: **Hisashi Kawafuji; Mitsutaka Iwasaki; Gourab Majumdar; Toshiaki Shinohara**, all of Tokyo, Japan

[73] Assignee: **Mitsubishi Denki Kabushiki Kaisha**, Tokyo, Japan

[**] Term: **14 Years**

[21] Appl. No.: **29/100,732**

[22] Filed: **Feb. 17, 1999**

[30] **Foreign Application Priority Data**

Sep. 29, 1998 [JP] Japan 10-27739

[51] **LOC (6) Cl.** **13-03**

[52] **U.S. Cl.** **D13/182**

[58] **Field of Search** D13/182; 174/52.4, 174/525; 257/690; 361/752, 798, 820

[56] **References Cited**

U.S. PATENT DOCUMENTS

- D. 317,592 6/1991 Yoshizawa D13/182
- D. 359,028 6/1995 Siegel et al. D13/182
- D. 360,619 7/1995 Terasawa et al. D13/182
- D. 394,244 5/1998 Majumdar et al. .

- D. 396,213 7/1998 Enomoto et al. D13/182
- D. 397,092 8/1998 Sano et al. D13/182
- D. 401,912 12/1998 Majumdar et al. .
- 5,089,929 2/1992 Hilland D13/182 X

Primary Examiner—Brian N. Vinson
Attorney, Agent, or Firm—Oblon, Spivak, McClelland, Maier & Neustadt, P.C.

[57] **CLAIM**

The ornamental design for a semiconductor device, as shown and described.

DESCRIPTION

FIG. 1 is a front elevational view of a semiconductor device, showing our new design;
 FIG. 2 is a rear elevational view thereof;
 FIG. 3 is a top plan view thereof;
 FIG. 4 is a bottom plan view thereof;
 FIG. 5 is a left side elevational view thereof;
 FIG. 6 is a right side elevational view thereof;
 FIG. 7 is an enlarged cross-sectional view thereof, taken along line 7-7 in FIG. 1;
 FIG. 8 is an enlarged cross-sectional view thereof, taken along line 8-8 in FIG. 1; and,
 FIG. 9 is a front, right side and bottom perspective view thereof.

1 Claim, 6 Drawing Sheets

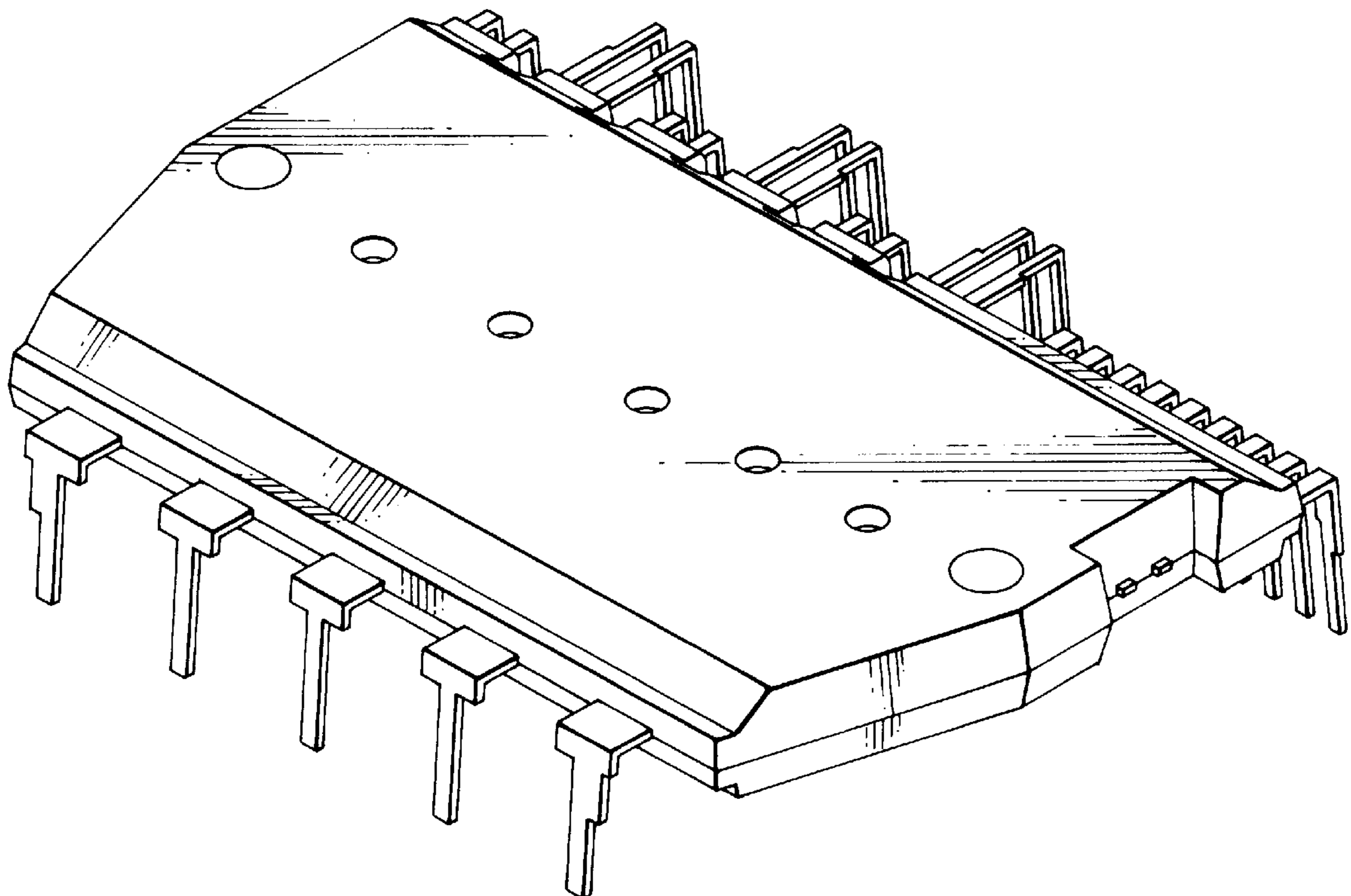


FIG. 1

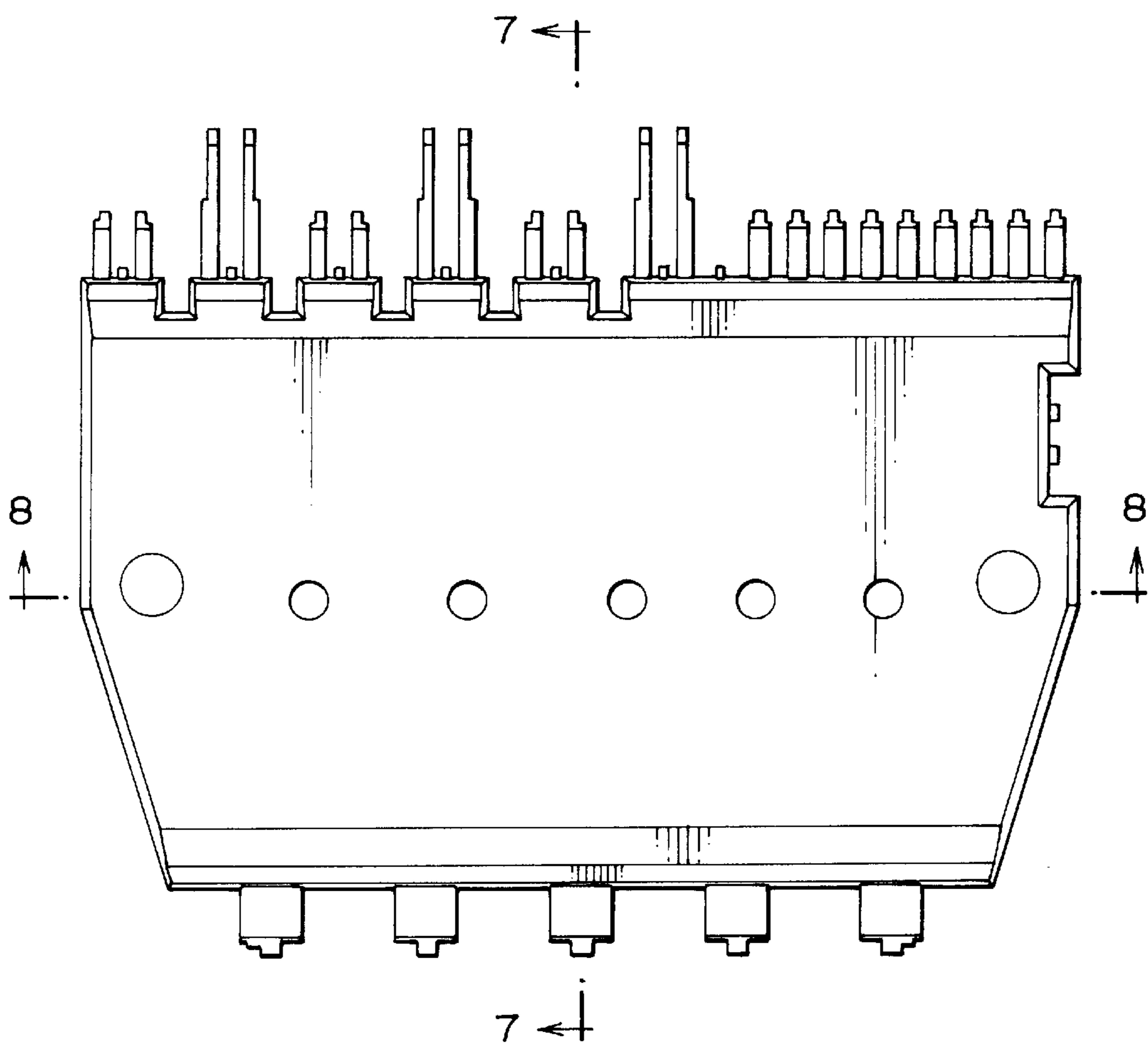


FIG. 2

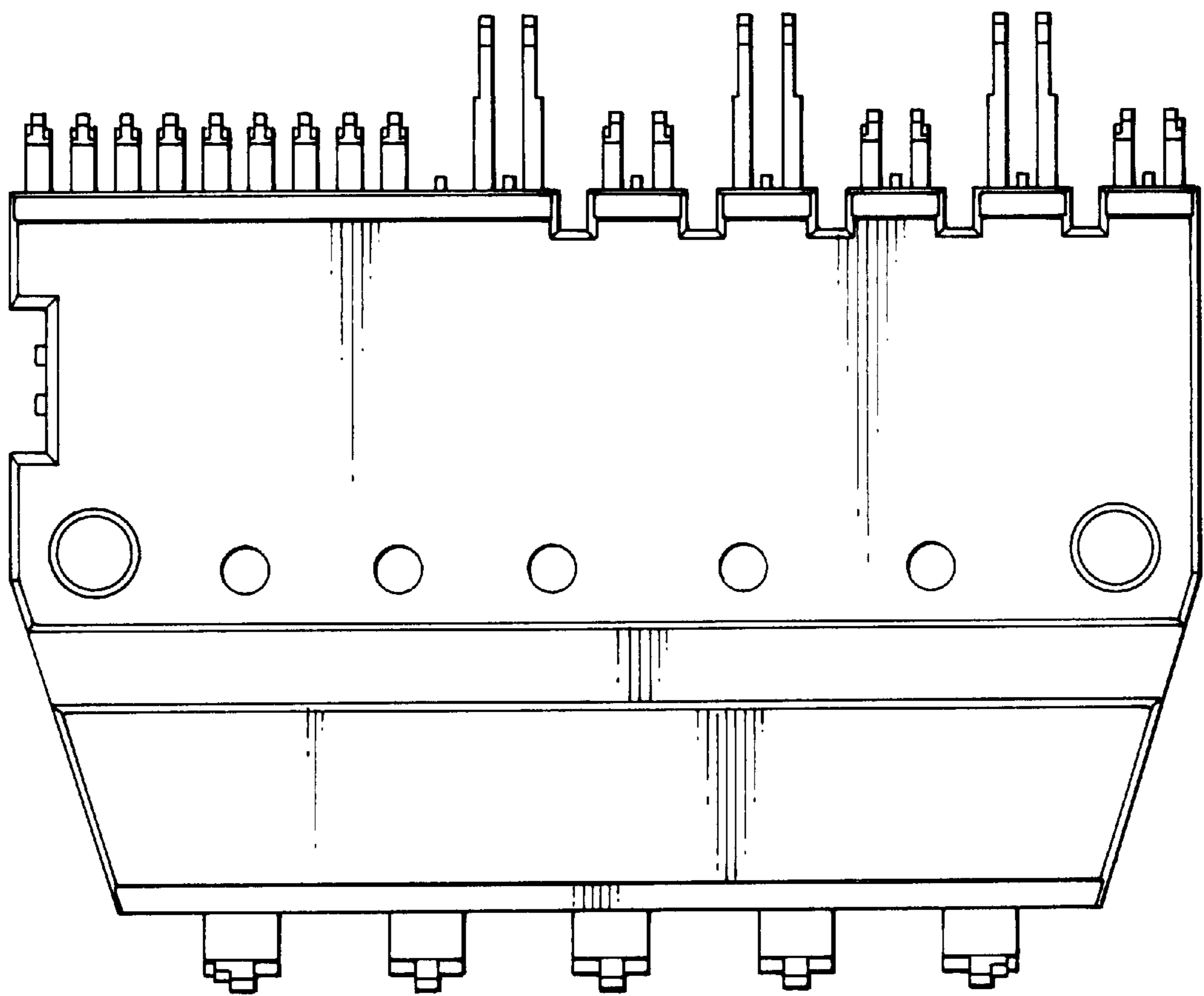


FIG. 3

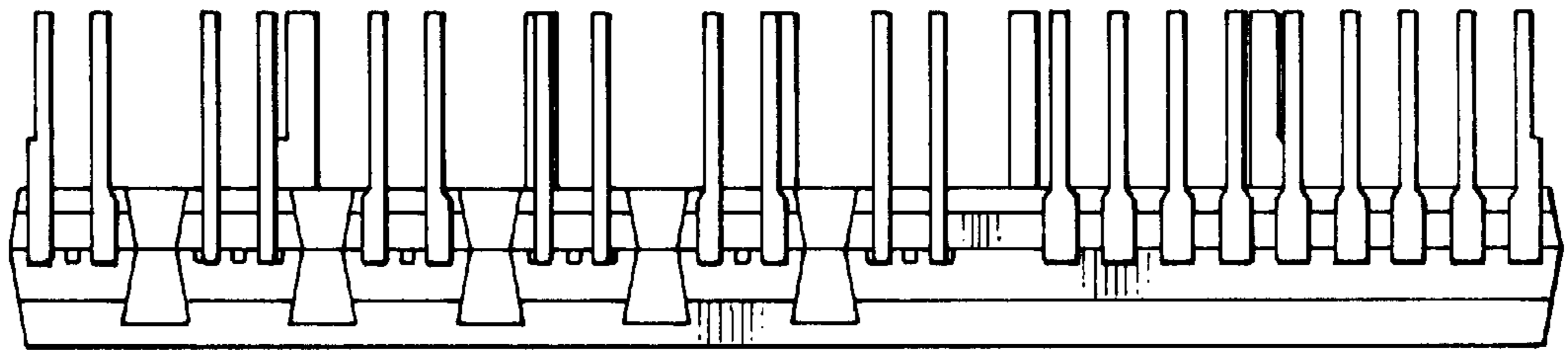


FIG. 4

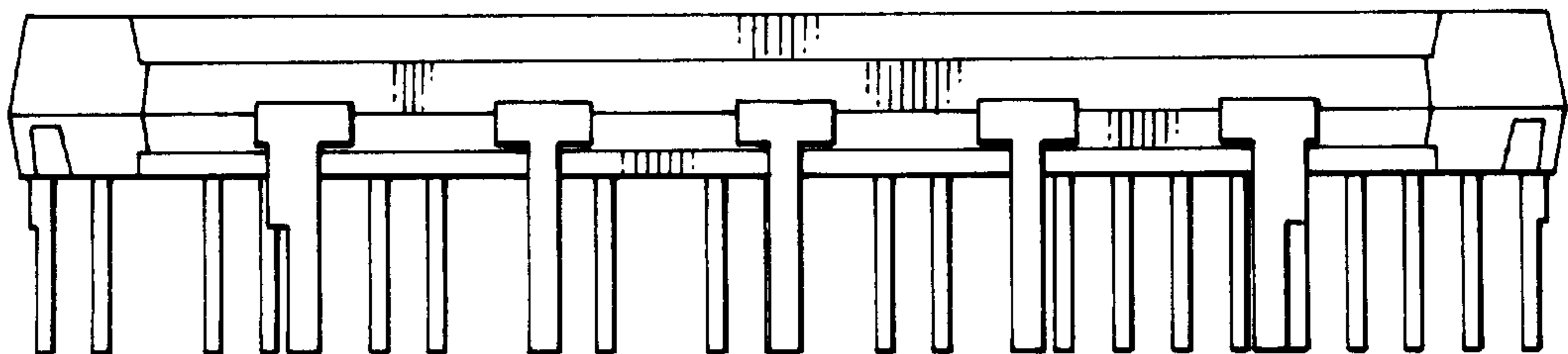


FIG. 5

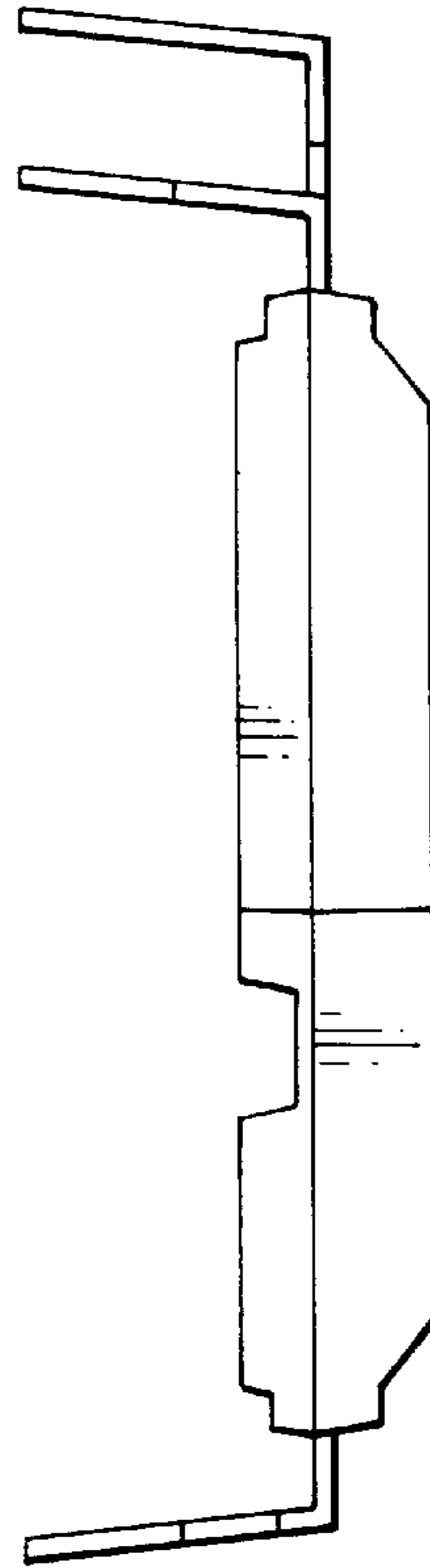


FIG. 6

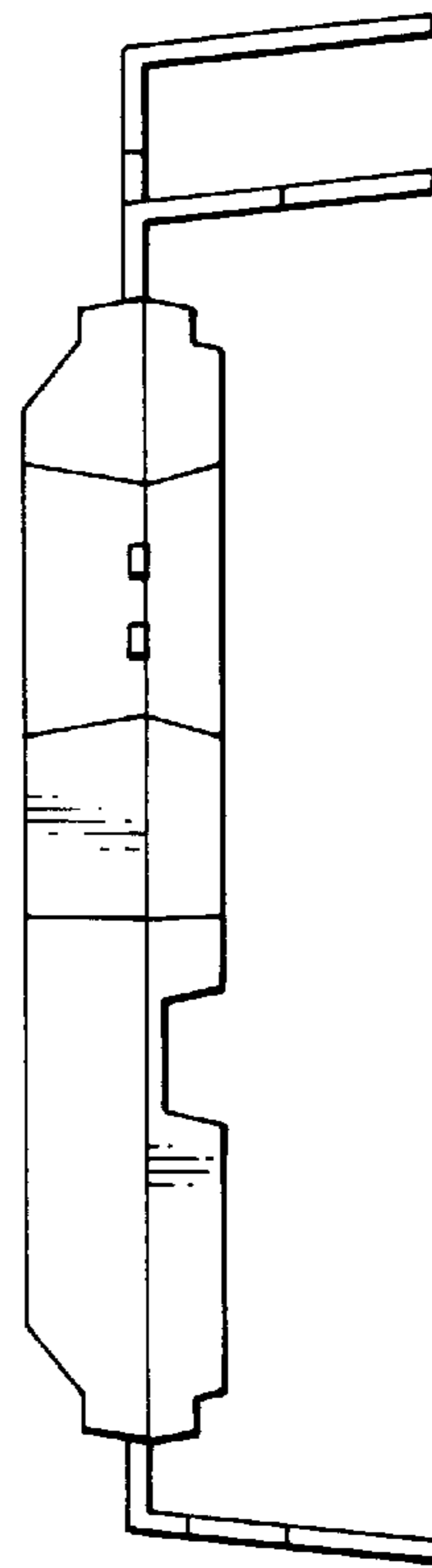


FIG. 7

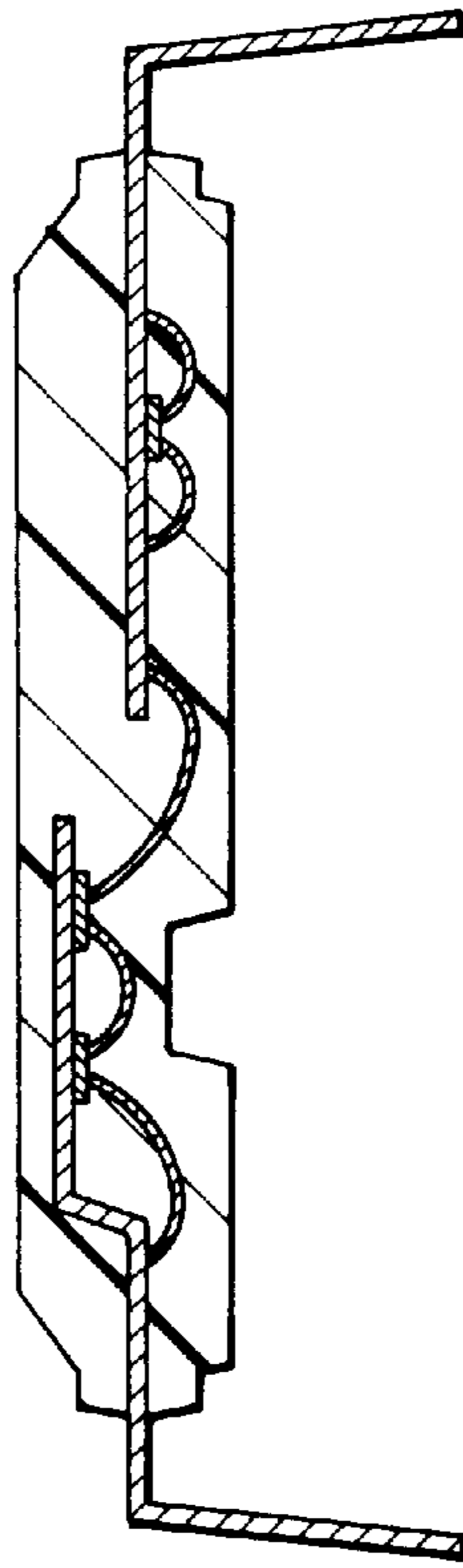


FIG. 8

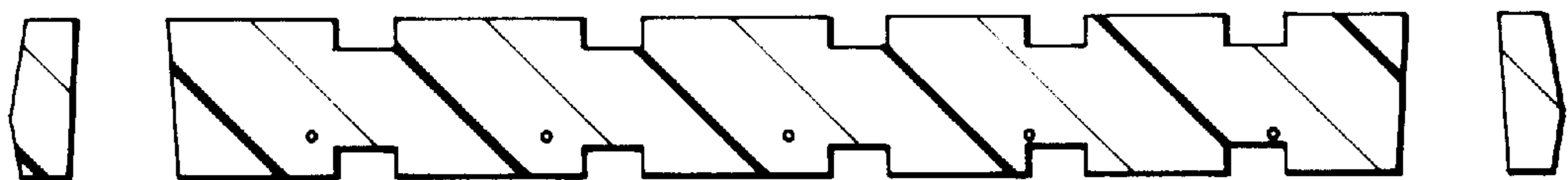


FIG. 9

