



US00D421958S

United States Patent [19]

Pratt

[11] Patent Number: **Des. 421,958**

[45] Date of Patent: **** Mar. 28, 2000**

[54] **LOAD INSULATOR**

[76] Inventor: **Hugh M. Pratt**, Marchioness Building,
Commercial Road, Bristol B51 6TG,
United Kingdom

[**] Term: **14 Years**

[21] Appl. No.: **29/084,800**

[22] Filed: **Mar. 10, 1998**

[51] **LOC (6) Cl.** **13-03**

[52] **U.S. Cl.** **D13/131**

[58] **Field of Search** D13/129, 130,
D13/131, 132; 174/177, 176, 169

[56] **References Cited**

U.S. PATENT DOCUMENTS

D. 69,381	2/1926	Brach	D13/131
D. 157,760	3/1950	Hiles	D13/130
D. 202,785	11/1965	Vose	D13/131
3,014,088	12/1961	Austin et al.	174/179

3,872,267	3/1975	Kerr	200/48 R
3,971,128	7/1976	Rebosio	29/887
4,057,687	11/1977	Willem	174/179
4,212,696	7/1980	Lusk et al.	156/294
4,296,276	10/1981	Ishihara et al.	174/179

Primary Examiner—Joel Sincavage
Attorney, Agent, or Firm—Loeb & Loeb, LLP

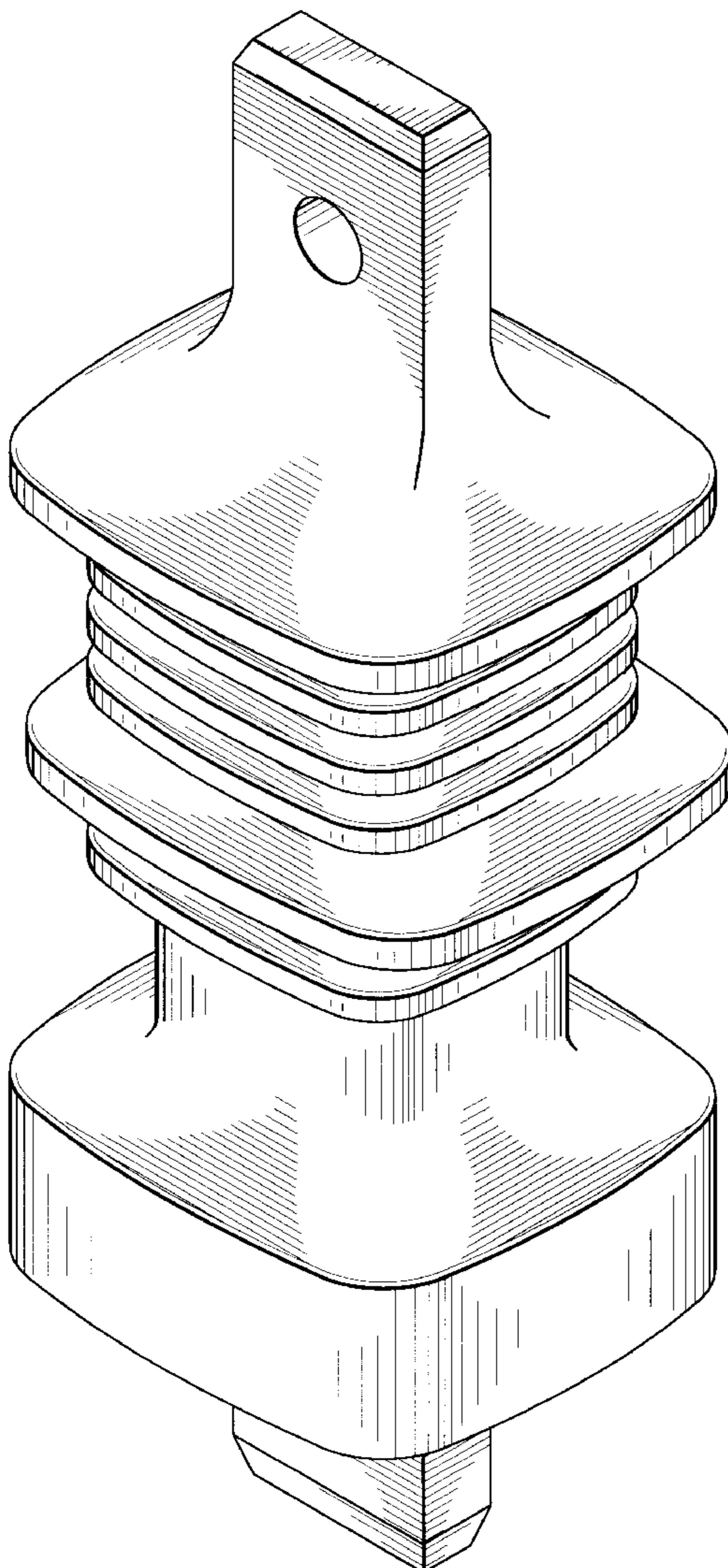
[57] **CLAIM**

The ornamental design for a load insulator, as shown and described.

DESCRIPTION

FIG. 1 is a perspective view showing my new design; FIG. 2 is a front elevation view thereof, which is identical to a rear elevation view thereof; FIG. 3 is a right side elevation view thereof, which is identical to a left side elevation view thereof; FIG. 4 is a top plan view thereof; and, FIG. 5 is a bottom plan view thereof.

1 Claim, 4 Drawing Sheets



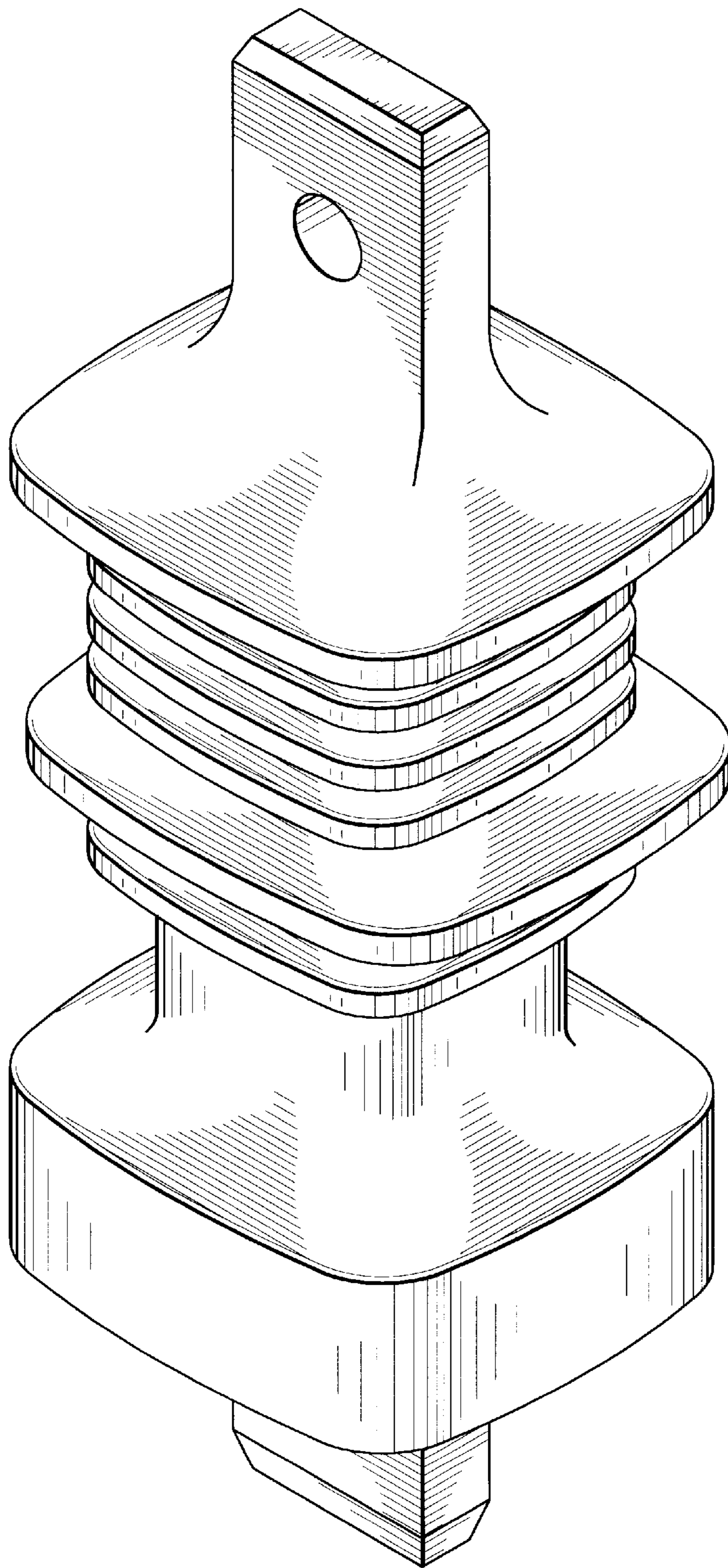


FIG. 1

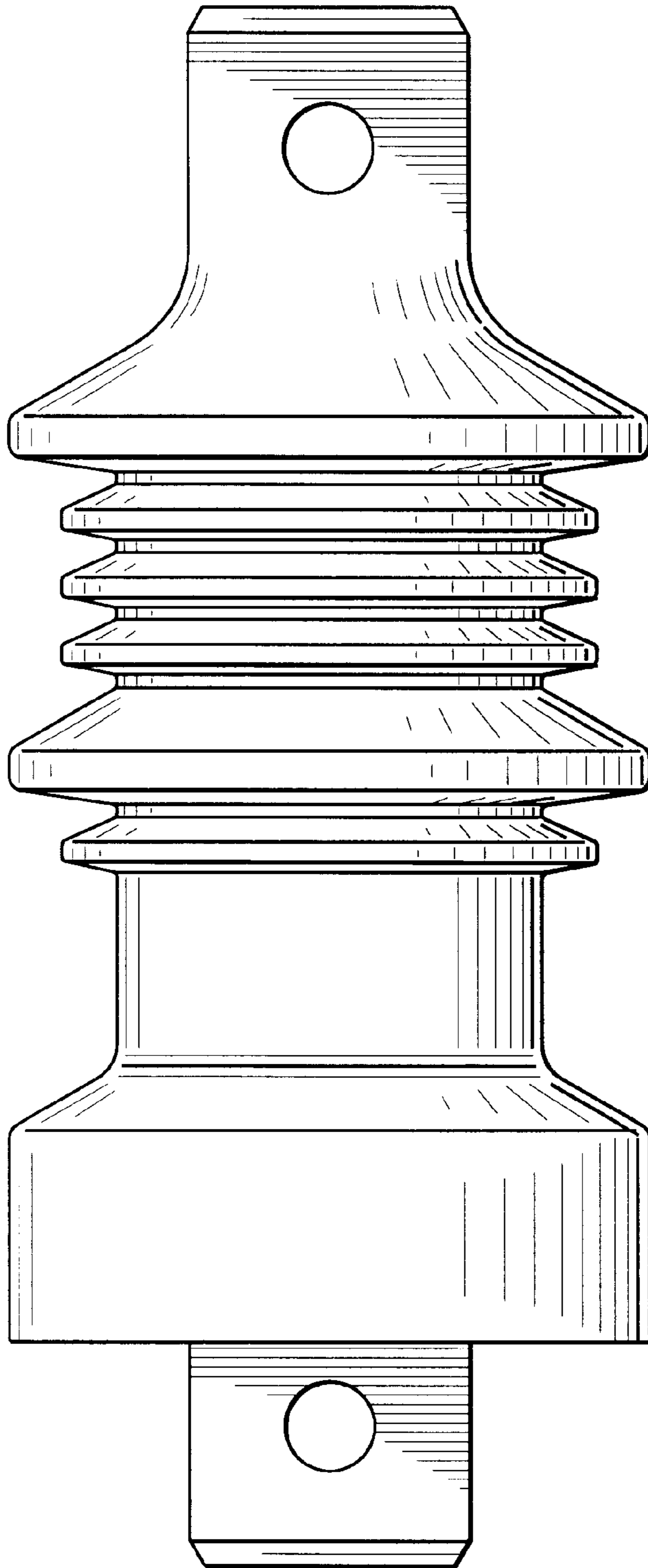


FIG. 2

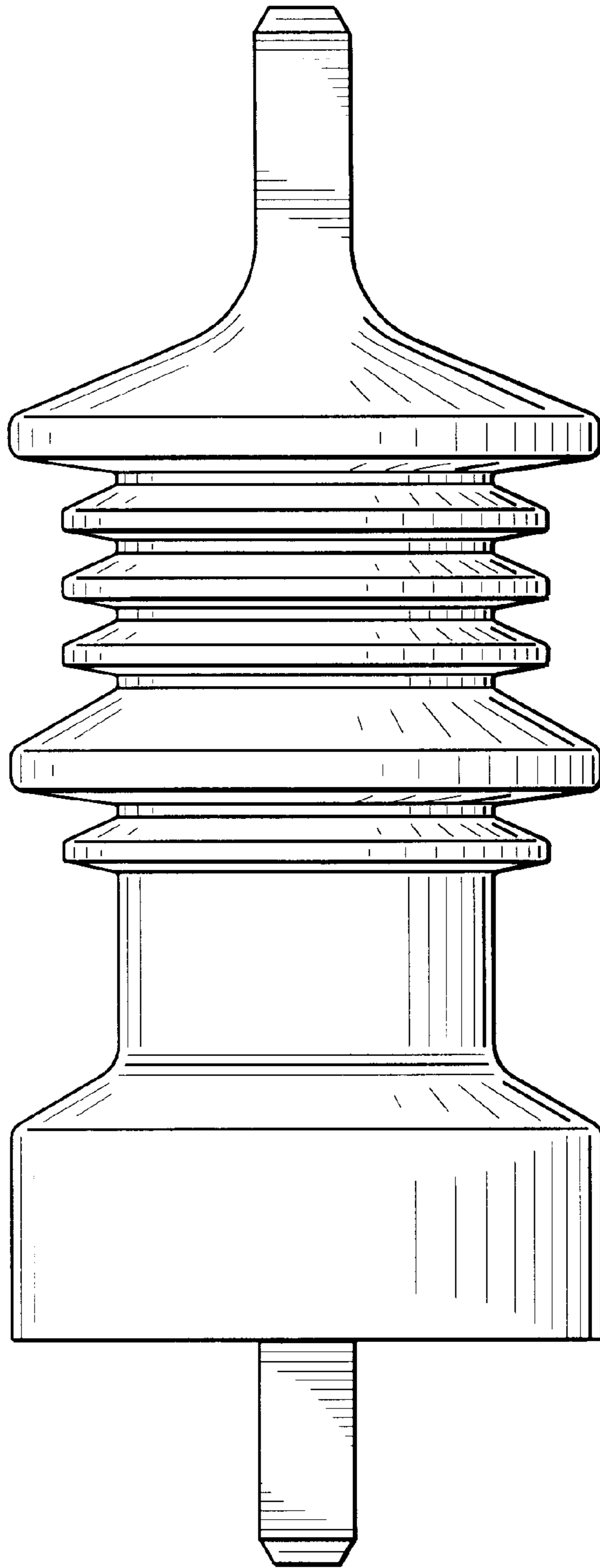


FIG. 3

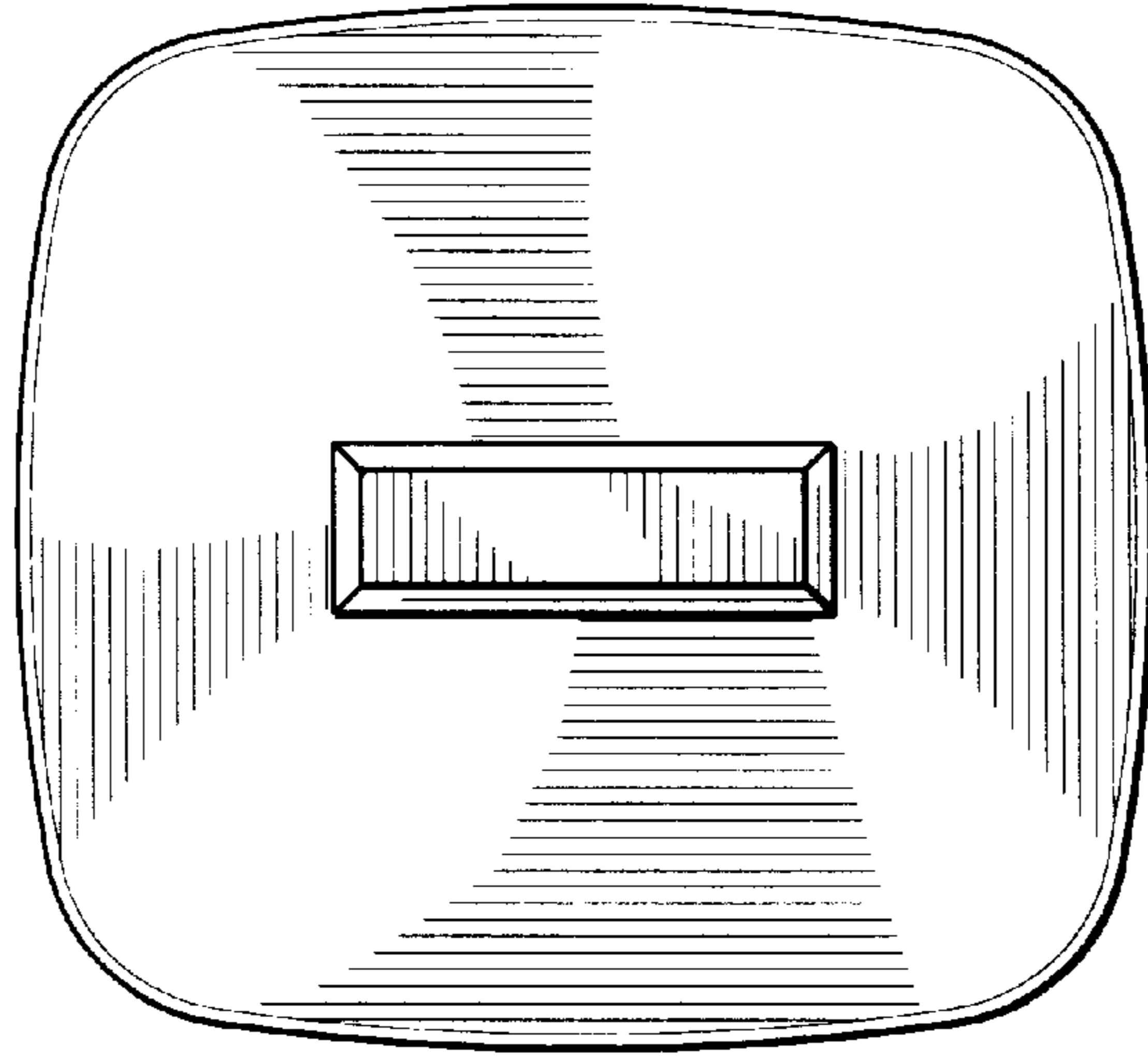


FIG. 4

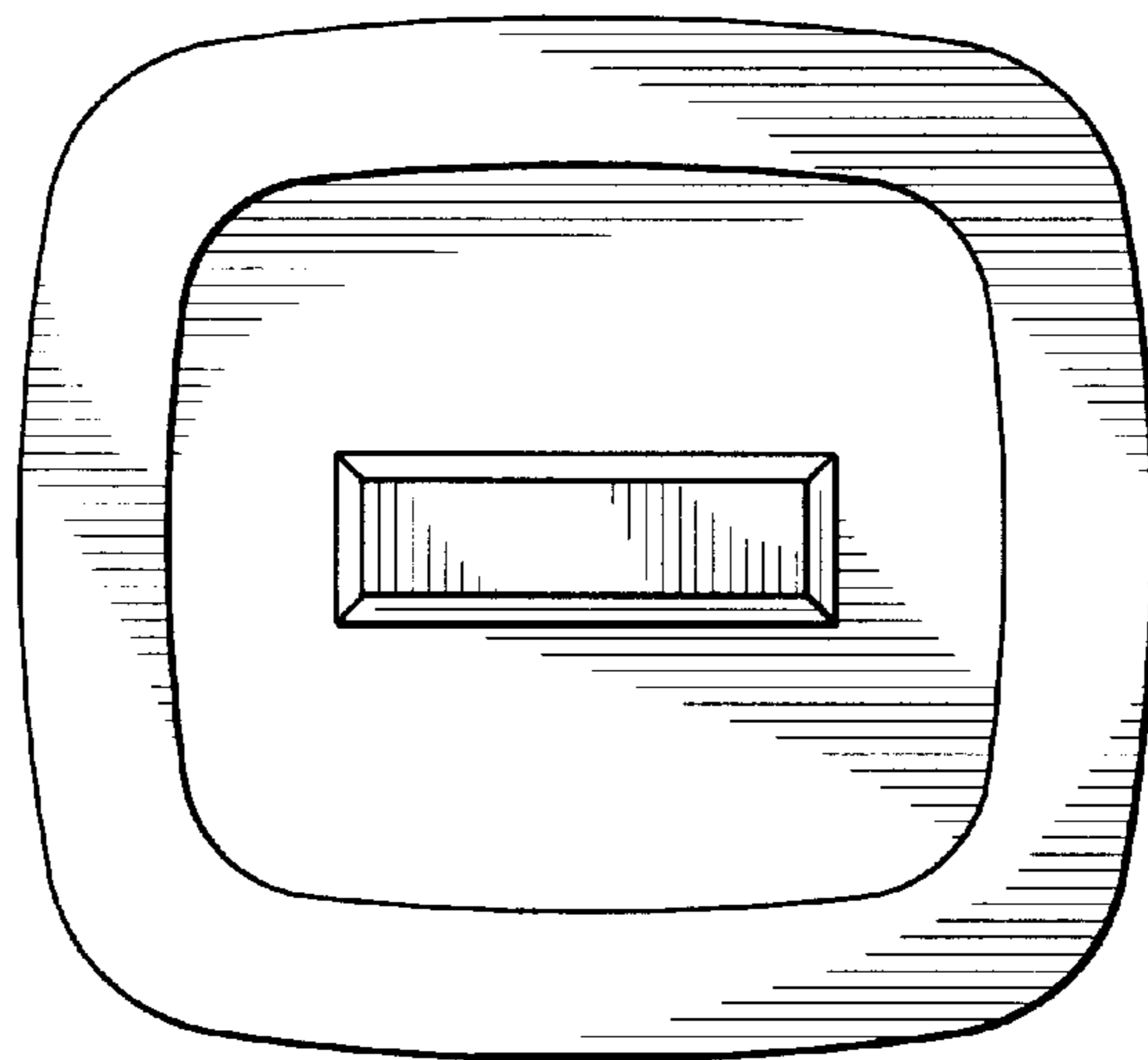


FIG. 5