



US00D421941S

United States Patent [19] Cheng

[11] **Patent Number: Des. 421,941**

[45] **Date of Patent: ** Mar. 28, 2000**

[54] **REAR WHEEL OF A STROLLER**
[75] Inventor: **Pao-Hsien Cheng**, No. 139, Jen Yi 1st Street, Jen Te Hsiang, Tainan Hsien, Taiwan

D. 364,844 12/1995 Chien D12/209
D. 388,749 1/1998 Kiser D12/133
D. 389,101 1/1998 Julien D12/133
D. 396,206 7/1998 Song D12/129
5,215,356 6/1993 Lin 301/111

[73] Assignee: **Pao-Hsien Cheng**, Tainan Hsien, Taiwan

Primary Examiner—Kay H. Chin
Attorney, Agent, or Firm—Rosenberg, Klein & Lee

[**] Term: **14 Years**

[57] CLAIM

[21] Appl. No.: **29/104,401**

The ornamental design for a rear wheel of a stroller, as shown and described.

[22] Filed: **May 4, 1999**

DESCRIPTION

[51] **LOC (6) Cl.** **12-12**

FIG. 1 is a perspective view of a rear wheel of a stroller showing my new design;

[52] **U.S. Cl.** **D12/133; D12/209**

FIG. 2 is another perspective view thereof;

[58] **Field of Search** D12/128-133, D12/204, 205, 206, 207, 208, 209, 210, 211, 212, 213; 301/111, 108.1, 119

FIG. 3 is a front elevational view thereof;

FIG. 4 is a rear elevational view thereof;

FIG. 5 is a left side elevational view thereof;

FIG. 6 is a right side elevational view thereof;

FIG. 7 is a top plan view thereof; and,

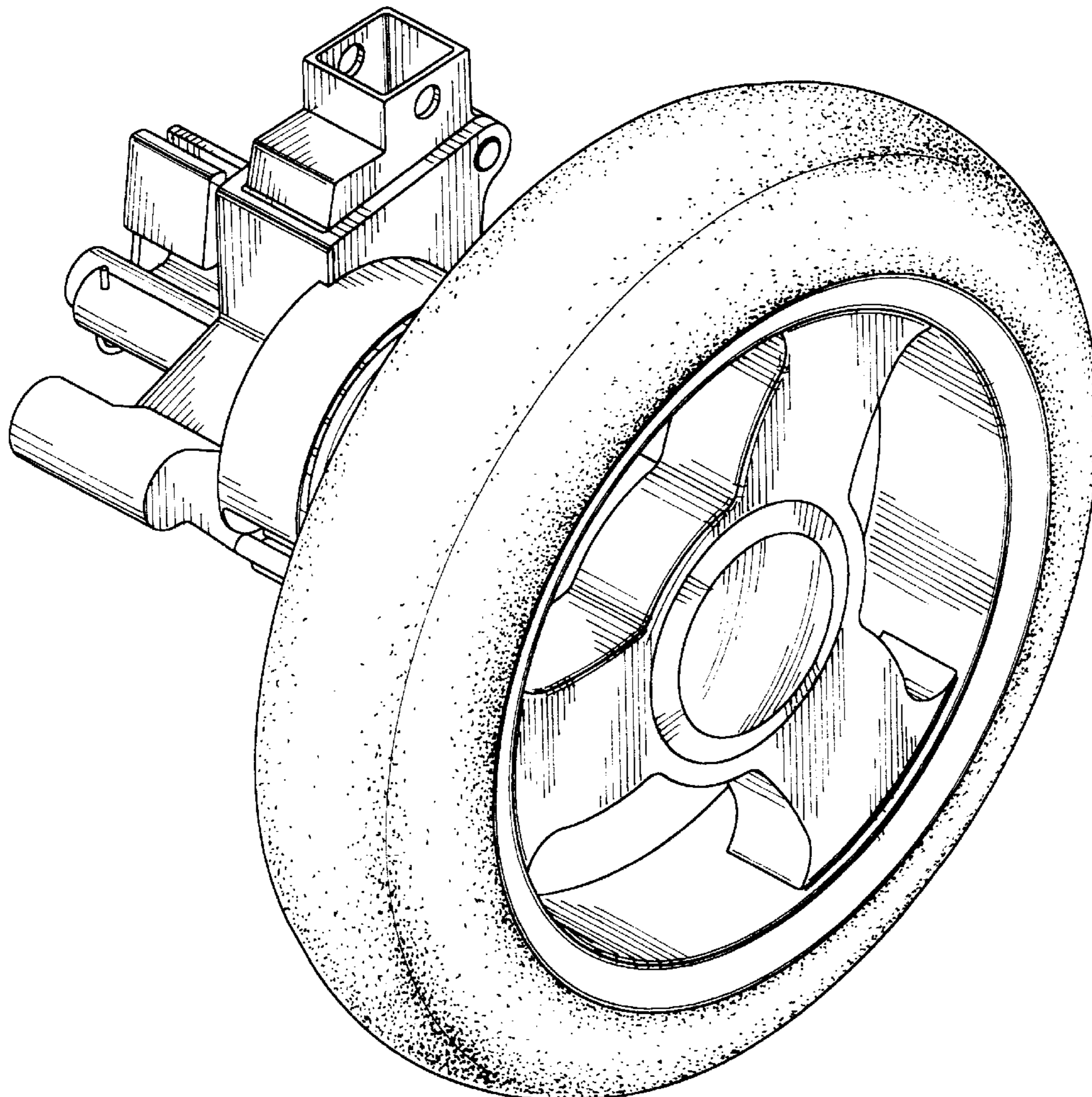
FIG. 8 is a bottom plan view thereof.

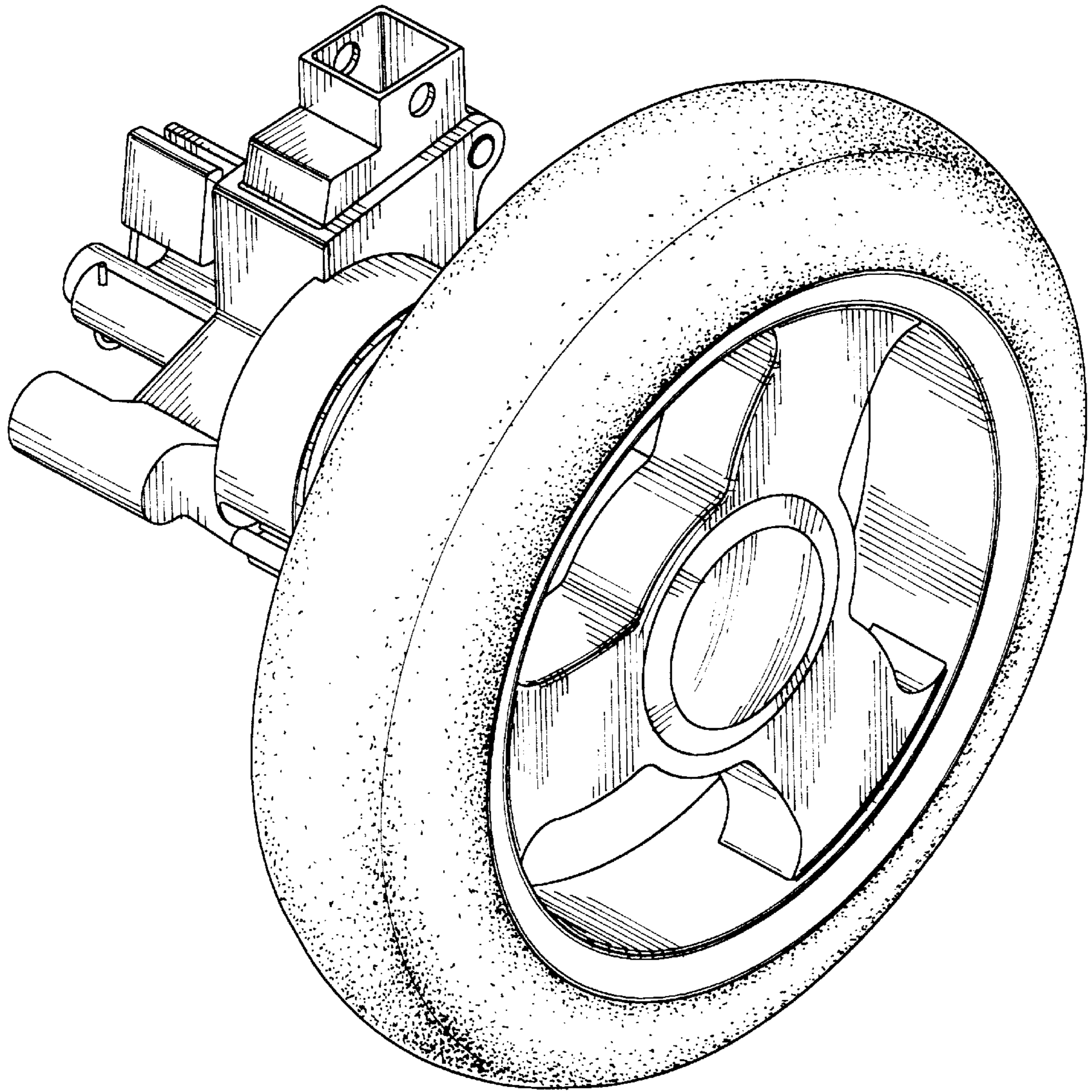
[56] References Cited

U.S. PATENT DOCUMENTS

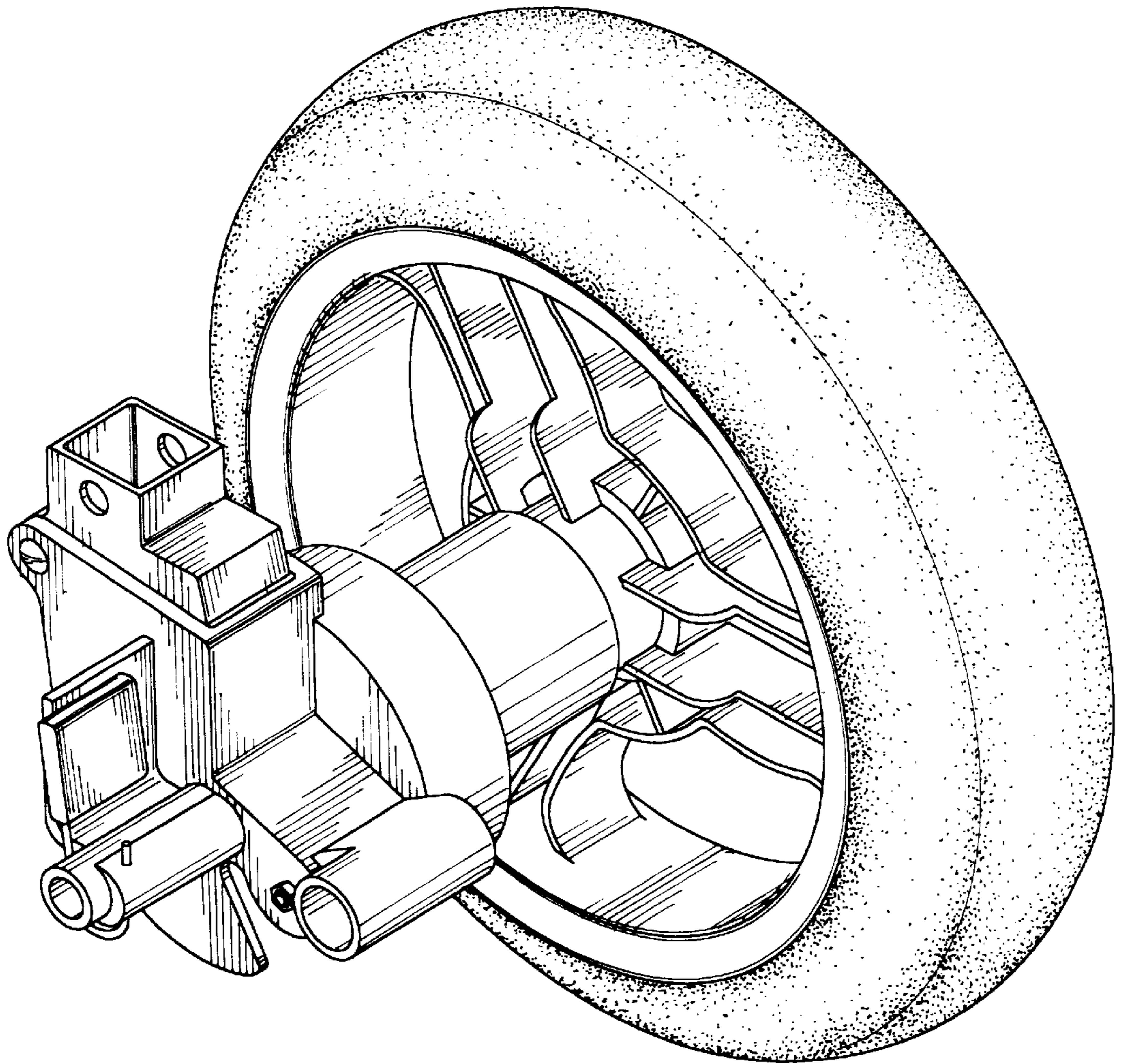
D. 359,938 7/1995 Chien D12/209

1 Claim, 6 Drawing Sheets





F I G . 1



F I G . 2

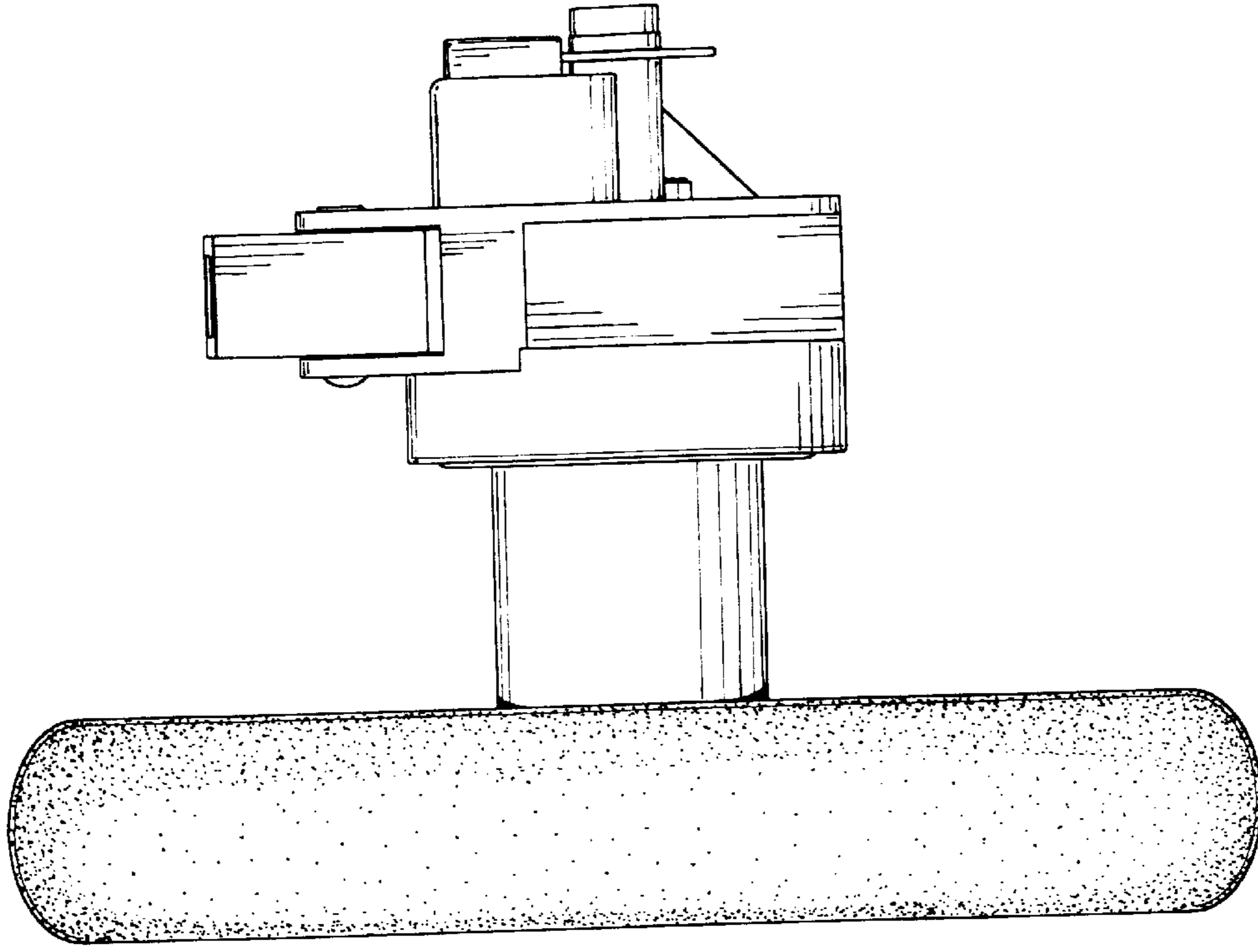


FIG. 4

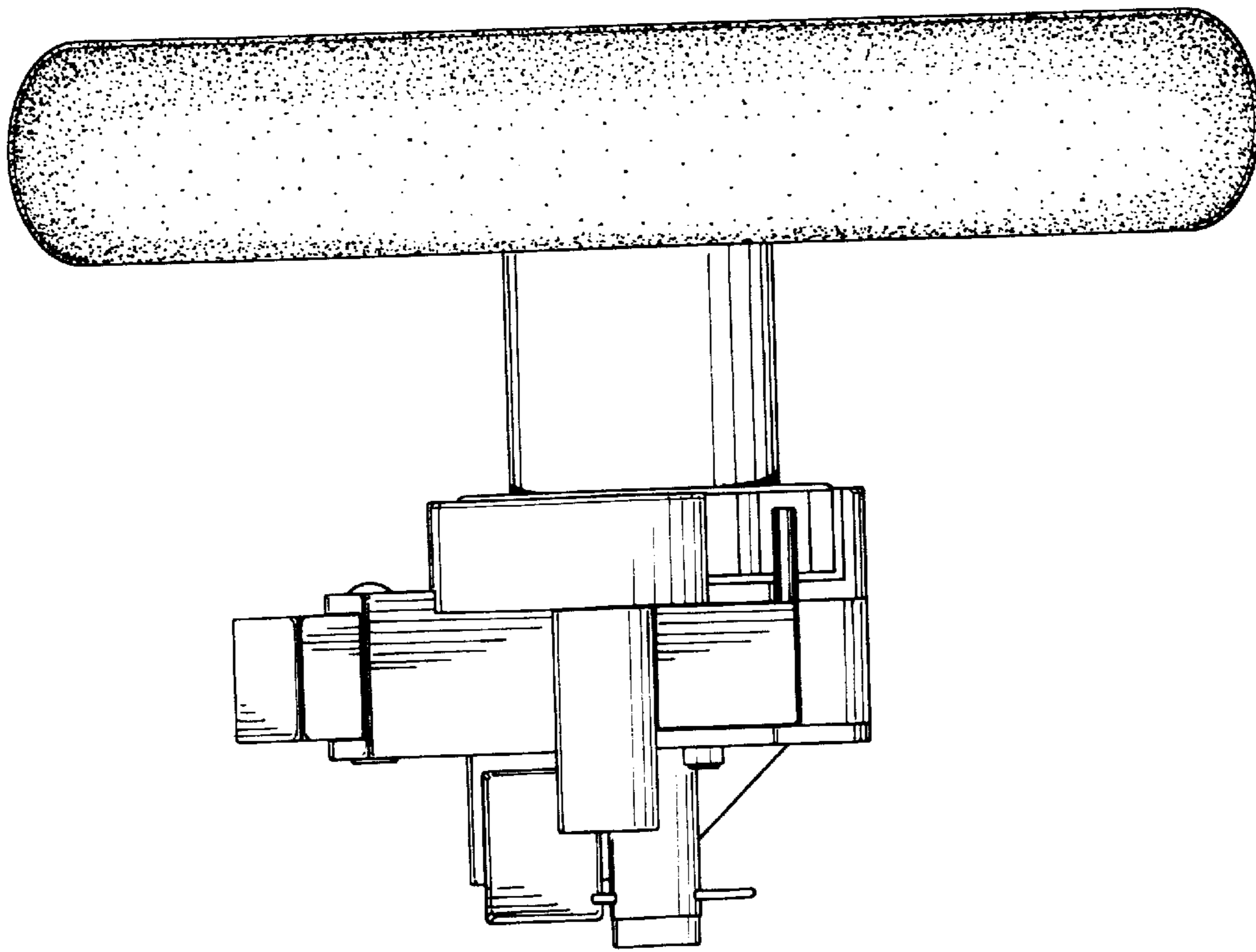


FIG. 3

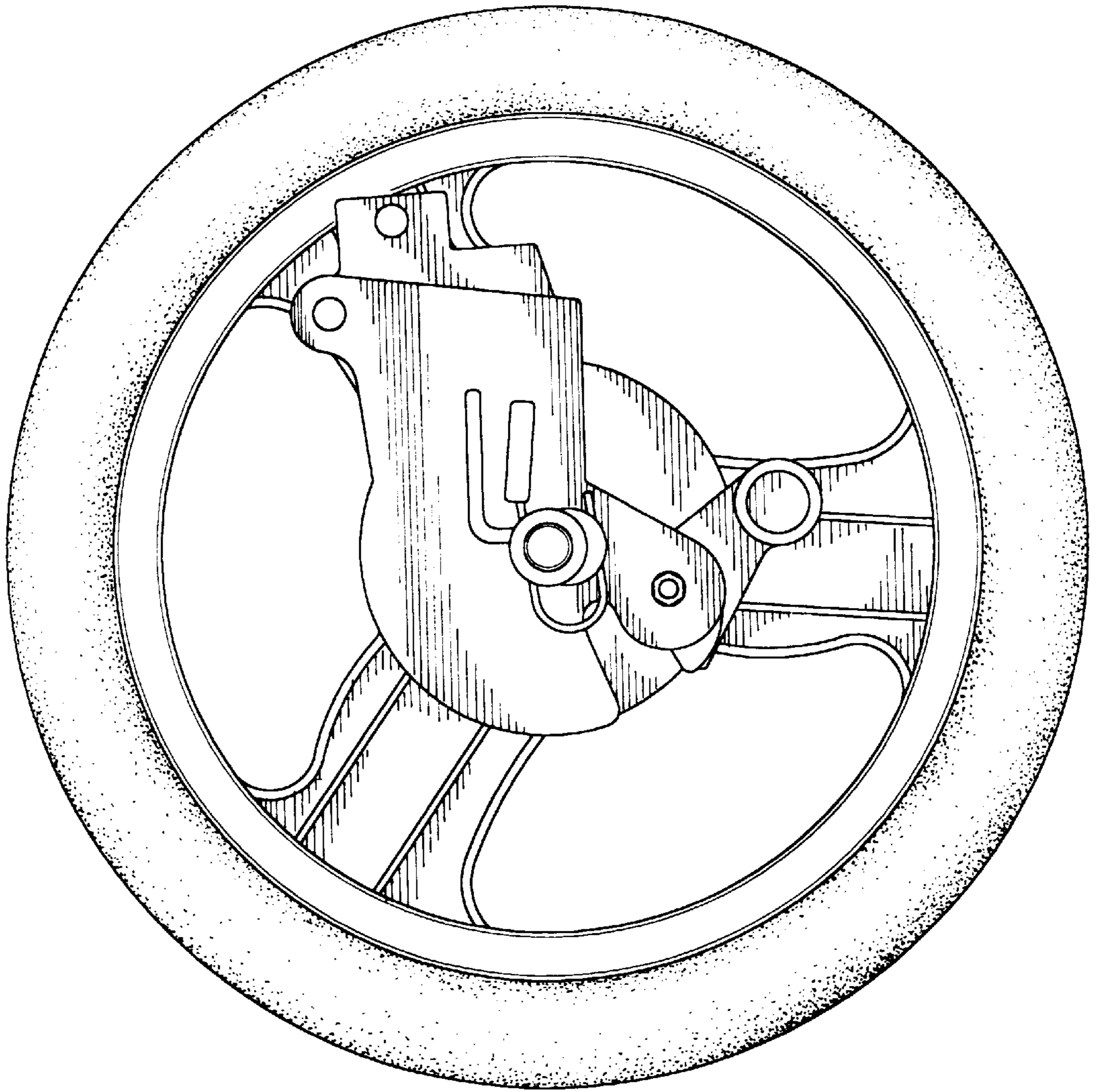
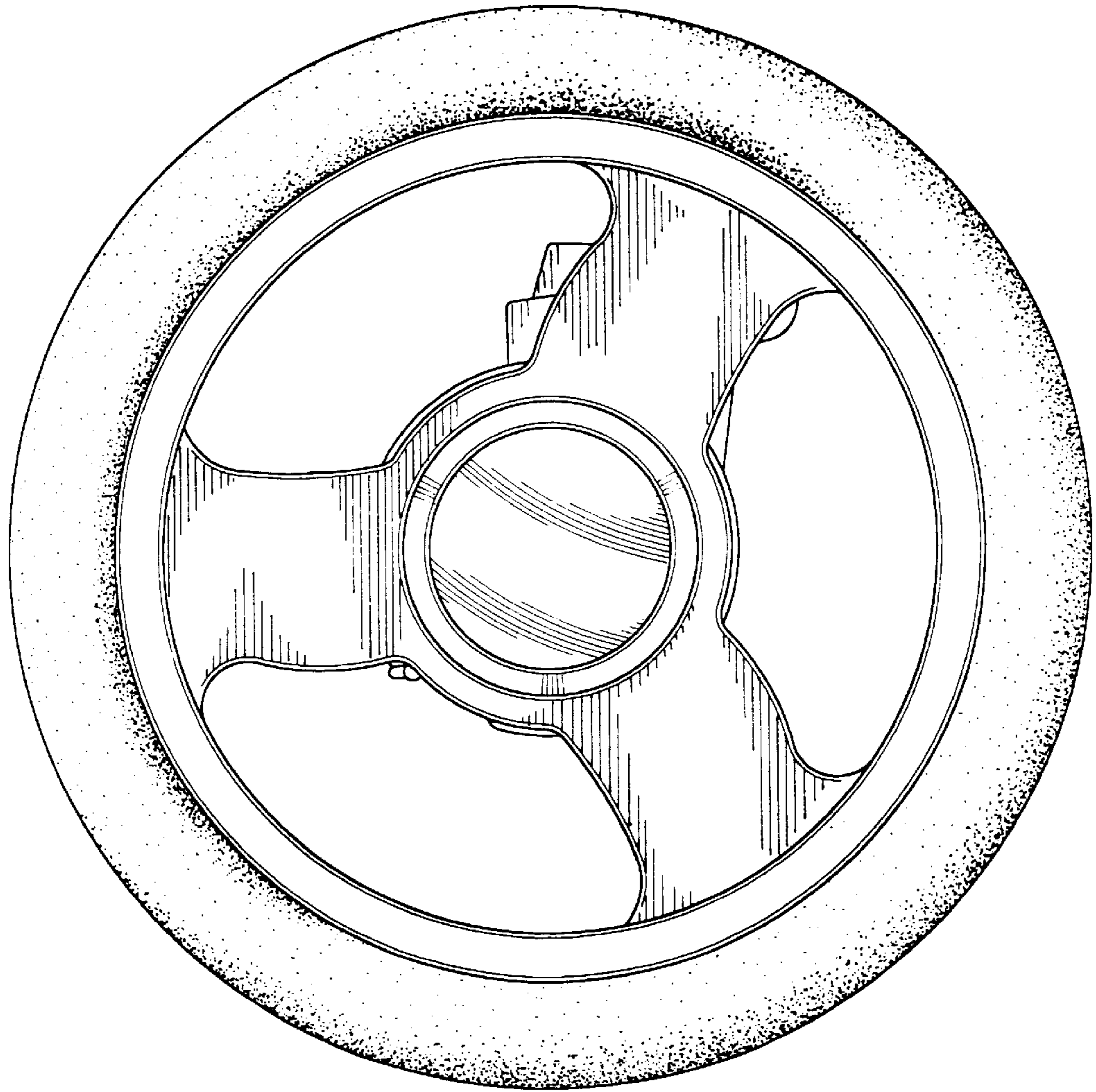


FIG. 5



F I G . 6

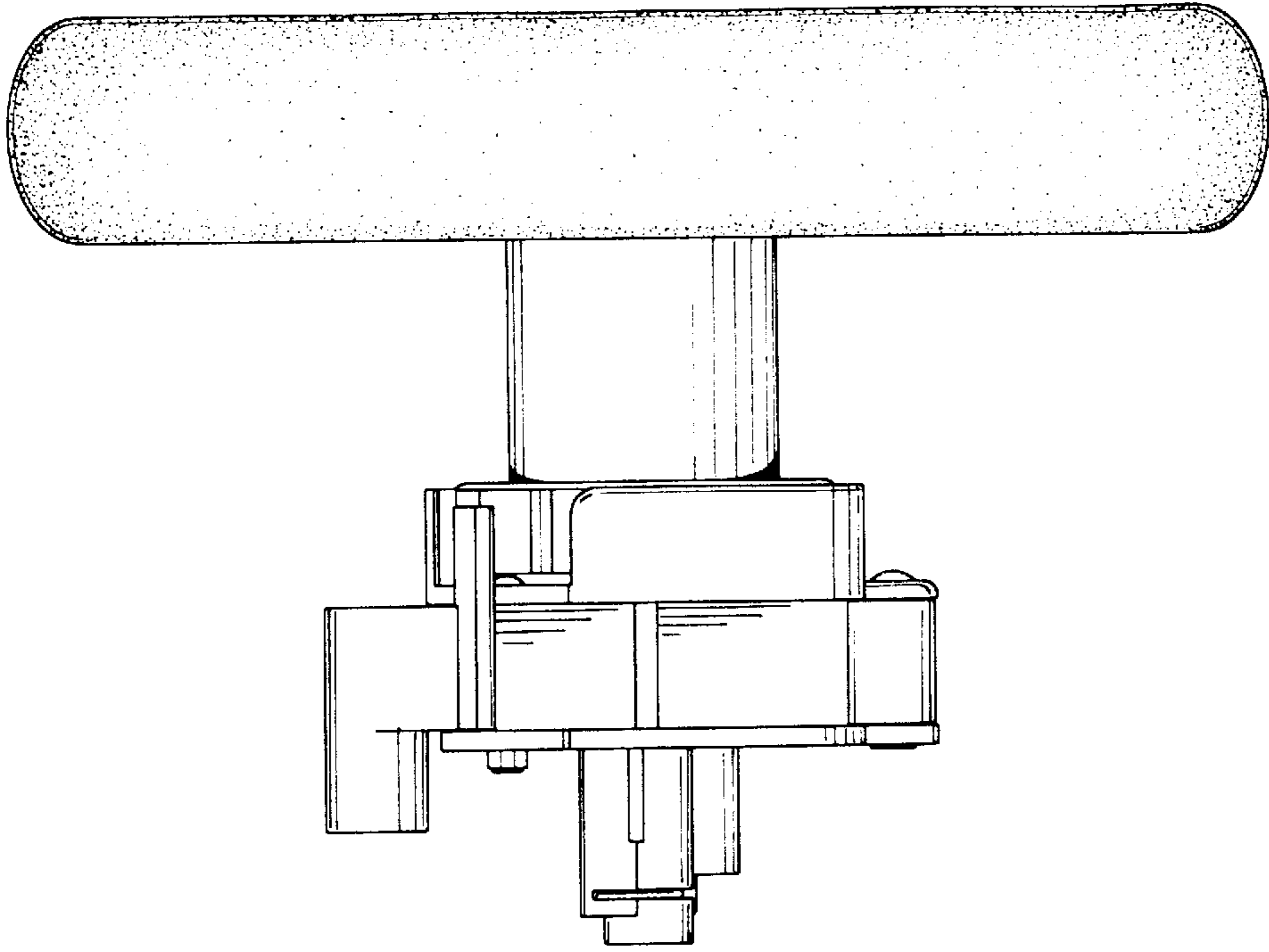


FIG. 8

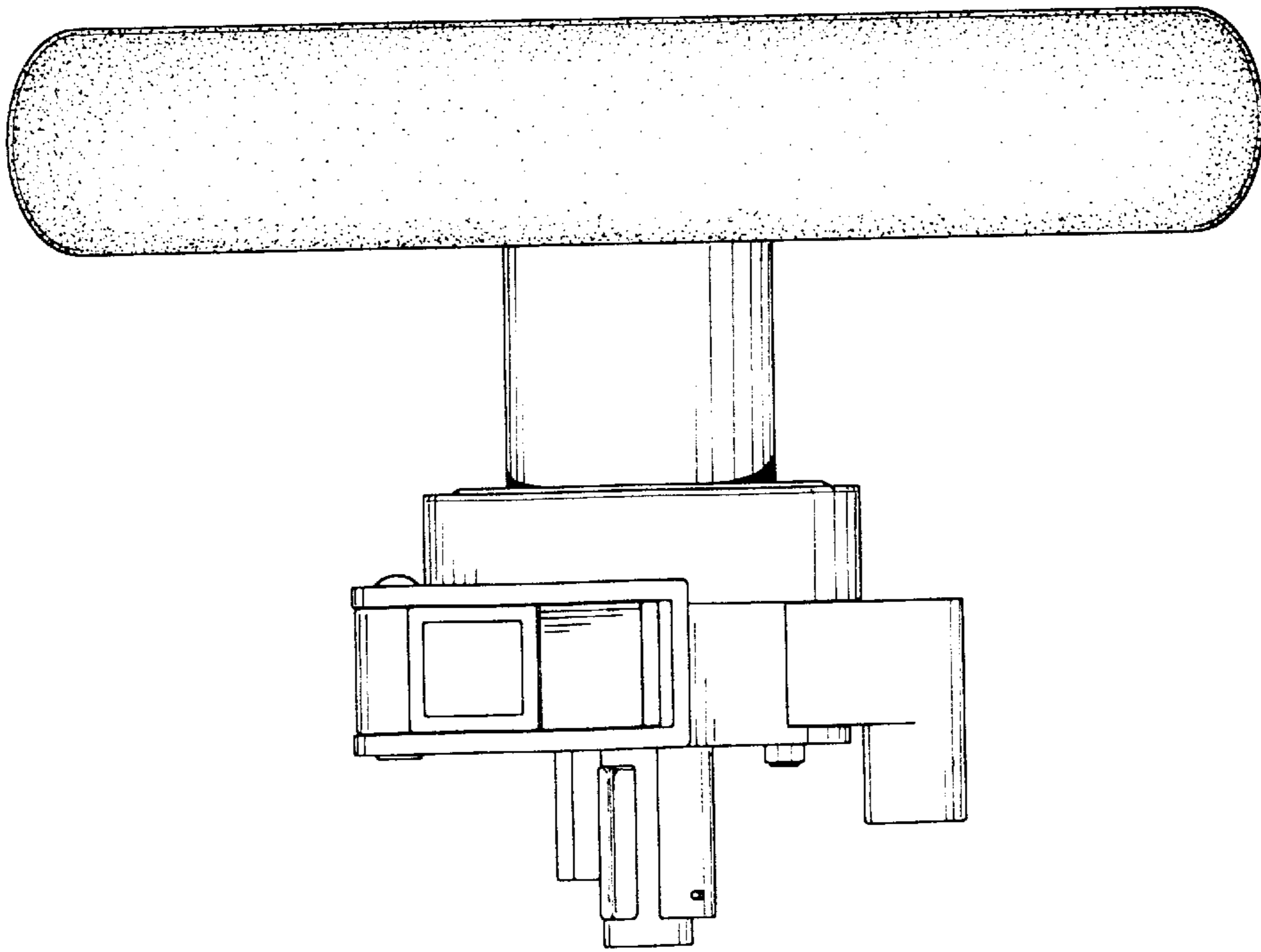


FIG. 7