



US00D421940S

**United States Patent** [19]  
**Gibson et al.**

[11] **Patent Number: Des. 421,940**  
[45] **Date of Patent: \*\* Mar. 28, 2000**

[54] **INFANT CAR SEAT AND STROLLER ASSEMBLY**  
[75] Inventors: **William R. Gibson, Kent; Paul K. Meeker, Hiram, both of Ohio**  
[73] Assignee: **Evenflo Company, Inc., Vandalia, Ohio**  
[\*\*] Term: **14 Years**  
[21] Appl. No.: **29/095,117**  
[22] Filed: **Oct. 16, 1998**  
[51] **LOC (6) Cl. .... 12-12**  
[52] **U.S. Cl. .... D12/129; D6/333**  
[58] **Field of Search .... D12/128-133; D6/333; 280/30, 648, 641, 642, 643, 42, 647, 651, 657, 658**

5,092,004	3/1992	Cone et al. ....	5/94
5,104,134	4/1992	Cone .....	280/30
5,133,567	7/1992	Owens .....	280/30
5,276,941	1/1994	Chen .....	16/47
5,277,472	1/1994	Freese et al. ....	297/130
5,324,094	6/1994	Kain .....	297/183
5,385,387	1/1995	Kain .....	297/256.16
5,409,292	4/1995	Kain et al. ....	297/183.1
5,454,584	10/1995	Haut et al. ....	280/642
5,490,685	2/1996	Kitayama et al. ....	280/47.38
5,516,190	5/1996	Kain et al. ....	297/183.6
5,605,409	2/1997	Haut et al. ....	403/102
5,645,293	7/1997	Cheng .....	280/642
5,676,386	10/1997	Huang .....	280/30
5,727,798	3/1998	Walters et al. ....	280/30

*Primary Examiner*—Kay H. Chin  
*Attorney, Agent, or Firm*—Thompson Hine & Flory LLP

[57] **CLAIM**

The ornamental design of a infant car seat and stroller assembly, as shown and described.

**DESCRIPTION**

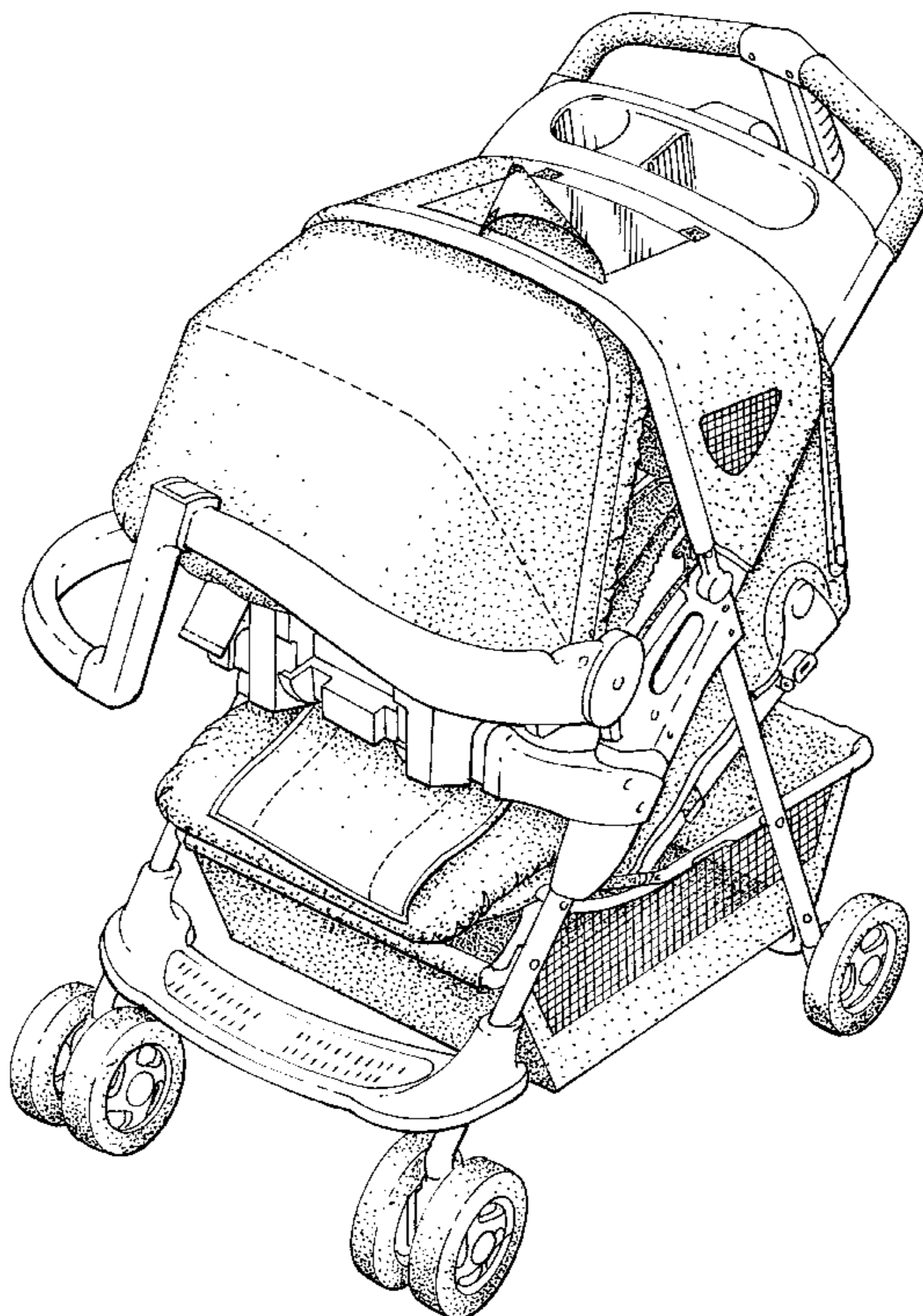
FIG. 1 is a perspective view of the infant car seat and stroller assembly showing the design of our invention;  
FIG. 2 is a perspective view of the infant car seat and stroller assembly but with the cover retracted;  
FIG. 3 is a left side elevational view thereof;  
FIG. 4 is a right side elevational view thereof;  
FIG. 5 is a front elevational view thereof;  
FIG. 6 is a rear elevational view thereof;  
FIG. 7 is a top plan view thereof; and,  
FIG. 8 is a bottom plan view thereof.

**1 Claim, 6 Drawing Sheets**

[56] **References Cited**

**U.S. PATENT DOCUMENTS**

D. 282,731	2/1986	Kain .....	D12/133
D. 294,777	3/1988	Wise et al. ....	D6/333
D. 311,822	11/1990	Meeker .....	D6/333
D. 353,288	12/1994	Kain .....	D6/502
D. 357,439	4/1995	Haut et al. ....	D12/129
D. 362,832	10/1995	Haut et al. ....	D12/129
D. 369,707	5/1996	Kain .....	D6/502
D. 375,473	11/1996	Huang .....	D12/129
D. 378,908	4/1997	Courtney et al. ....	D12/129
D. 390,168	2/1998	Haut .....	D12/133
D. 402,235	12/1998	Haut .....	D12/129
4,634,177	1/1987	Meeker .....	297/250
4,819,958	4/1989	Perego .....	280/644
4,943,113	7/1990	Meeker .....	297/250



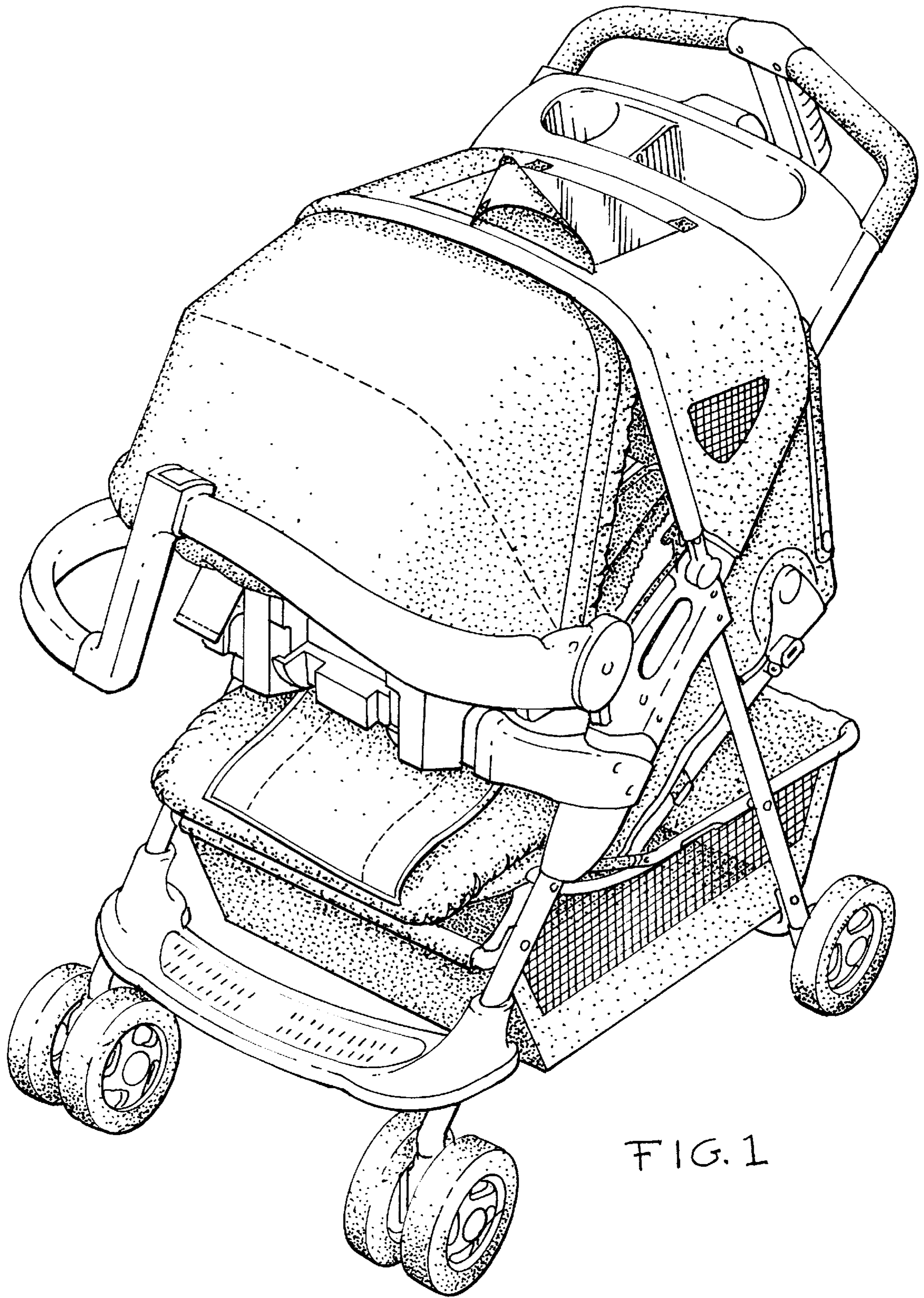


FIG. 1



FIG. 2

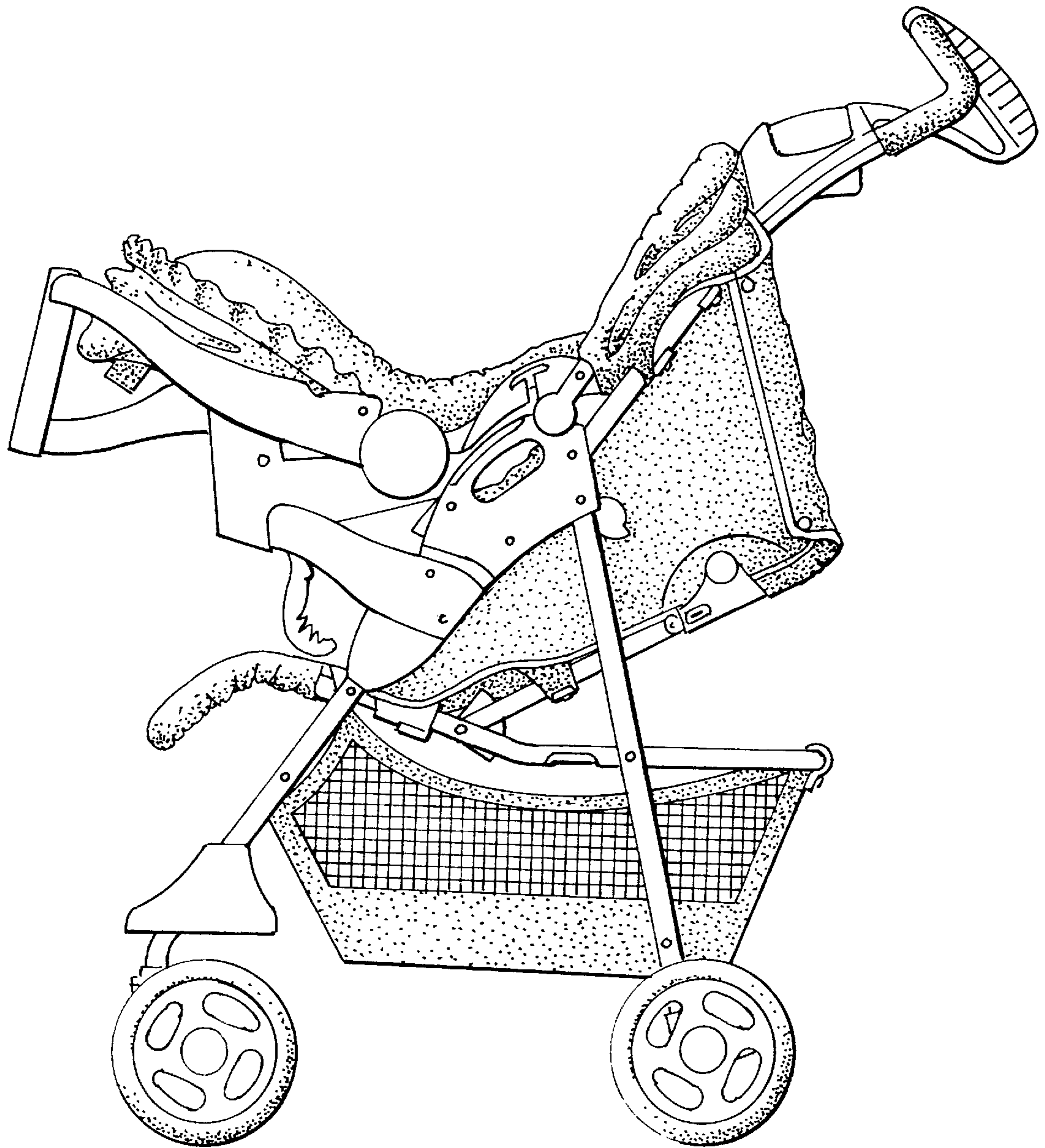


FIG. 3

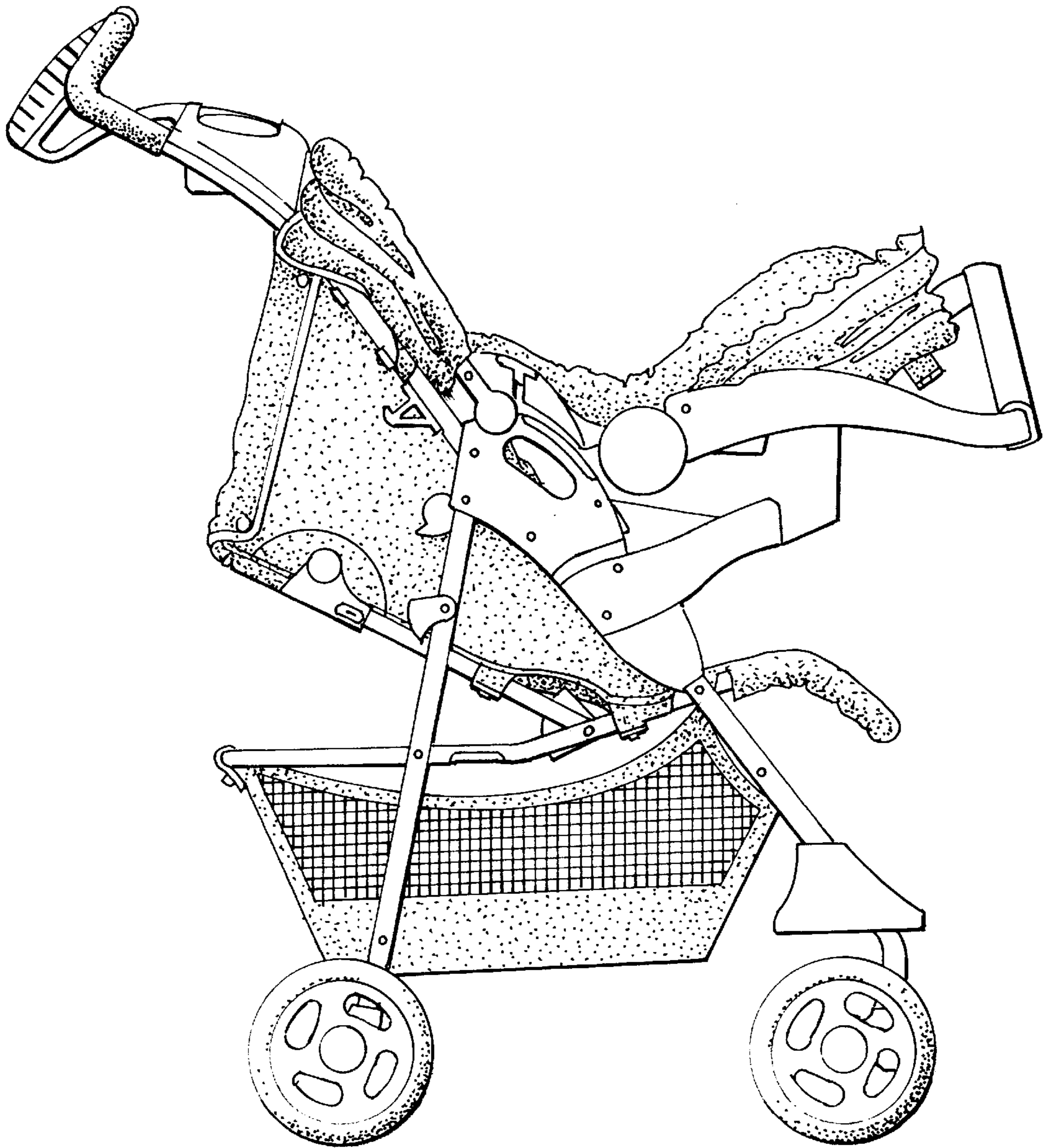
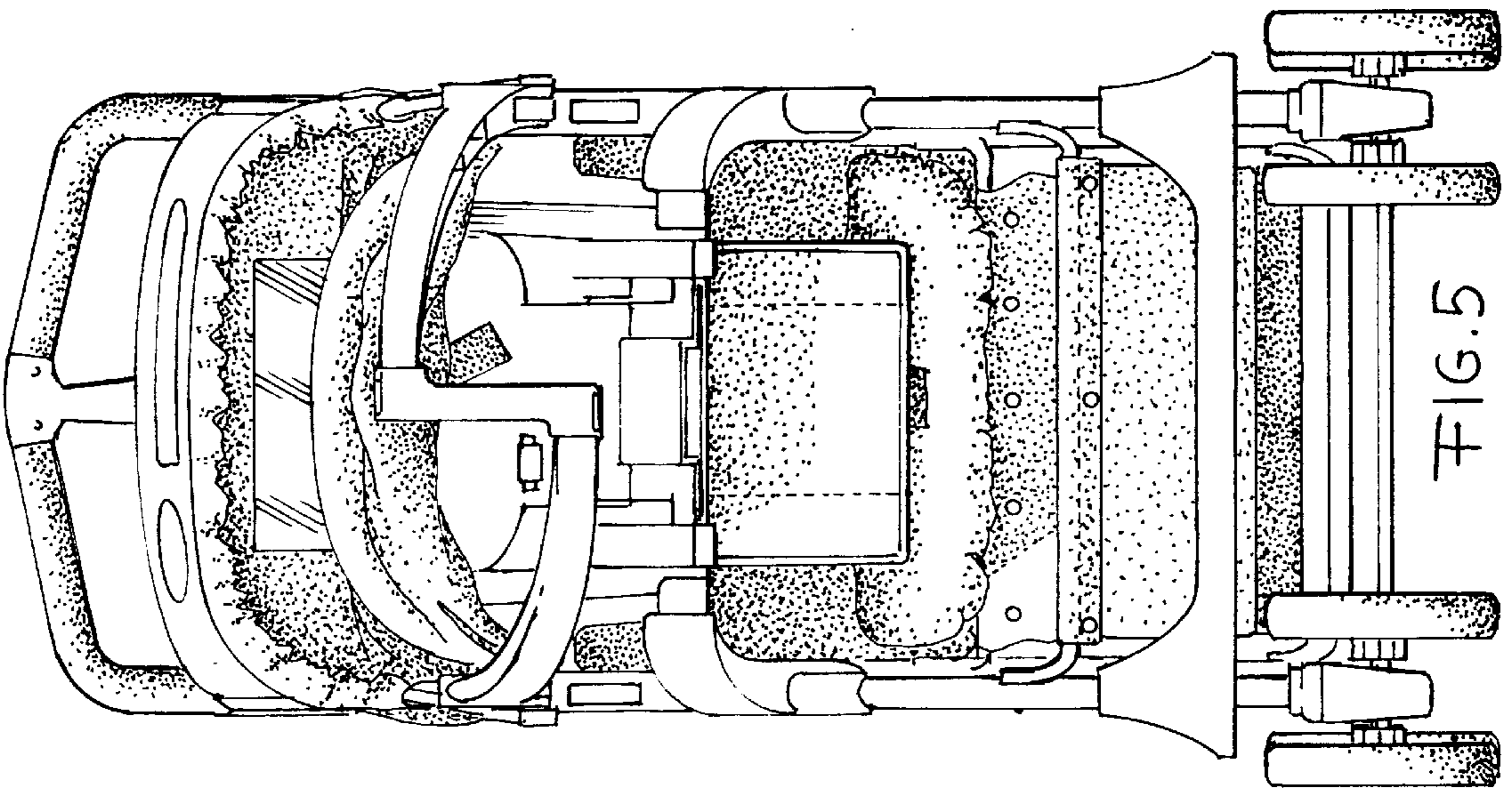
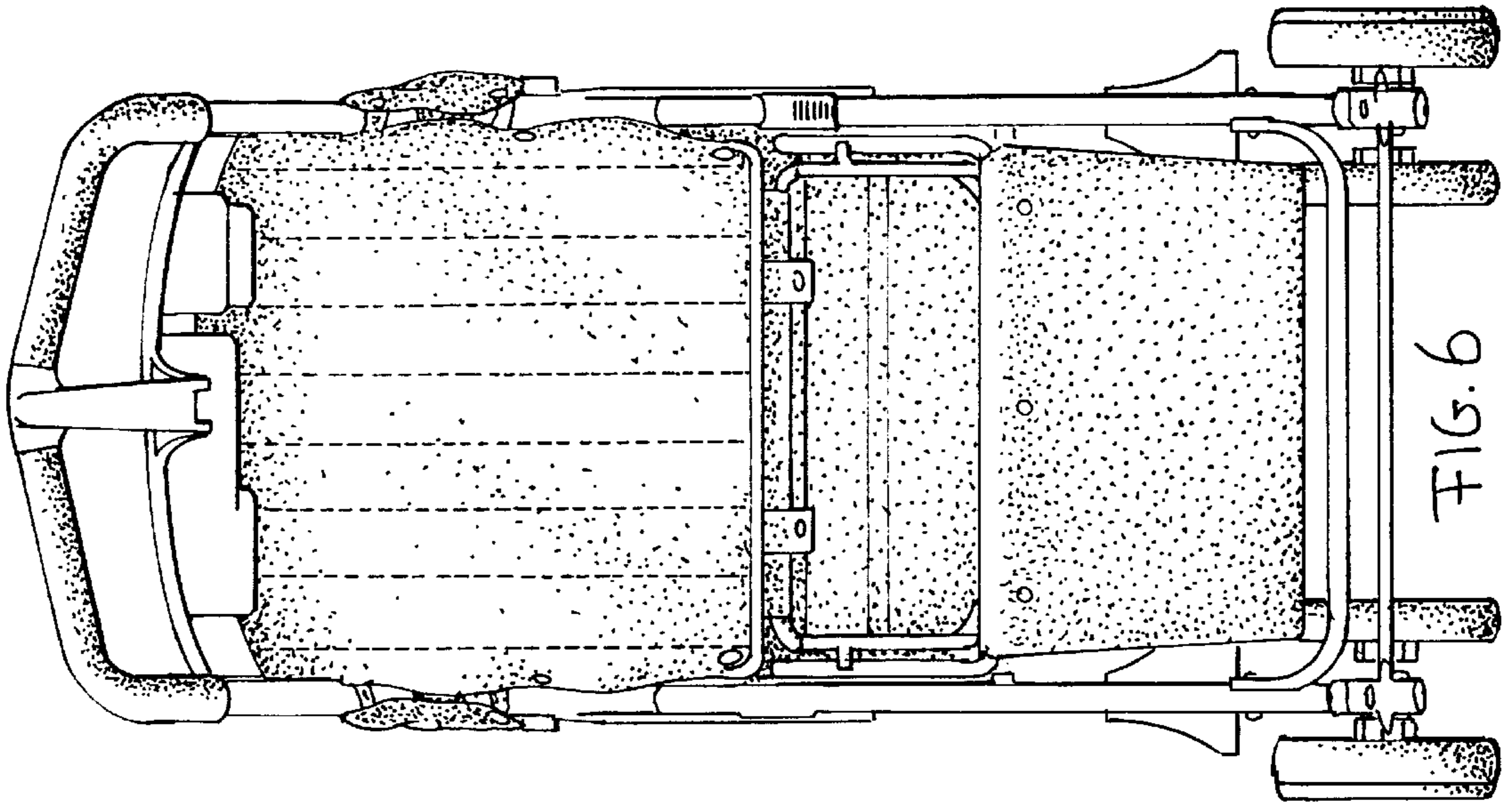


FIG. 4



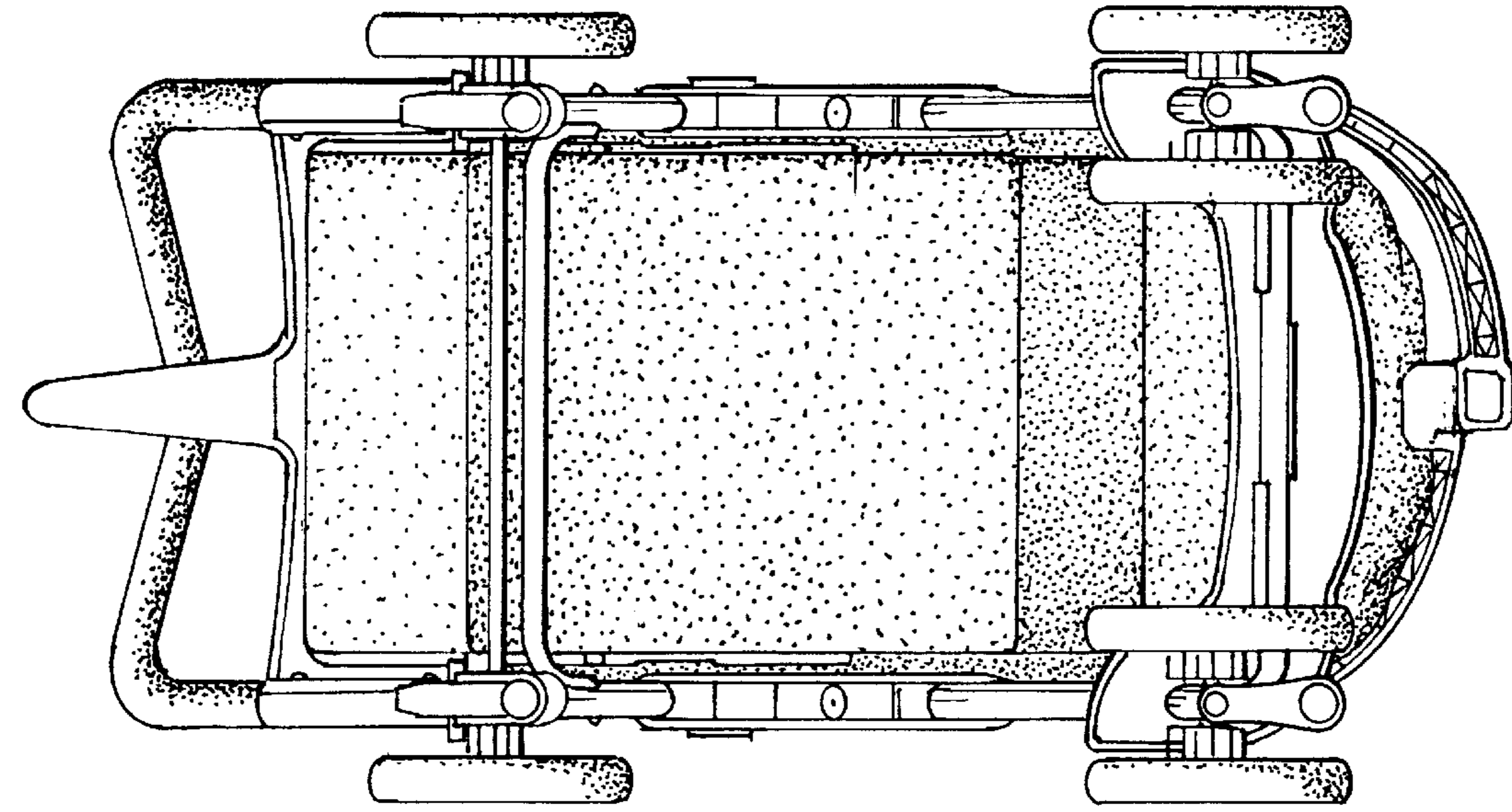


FIG. 8

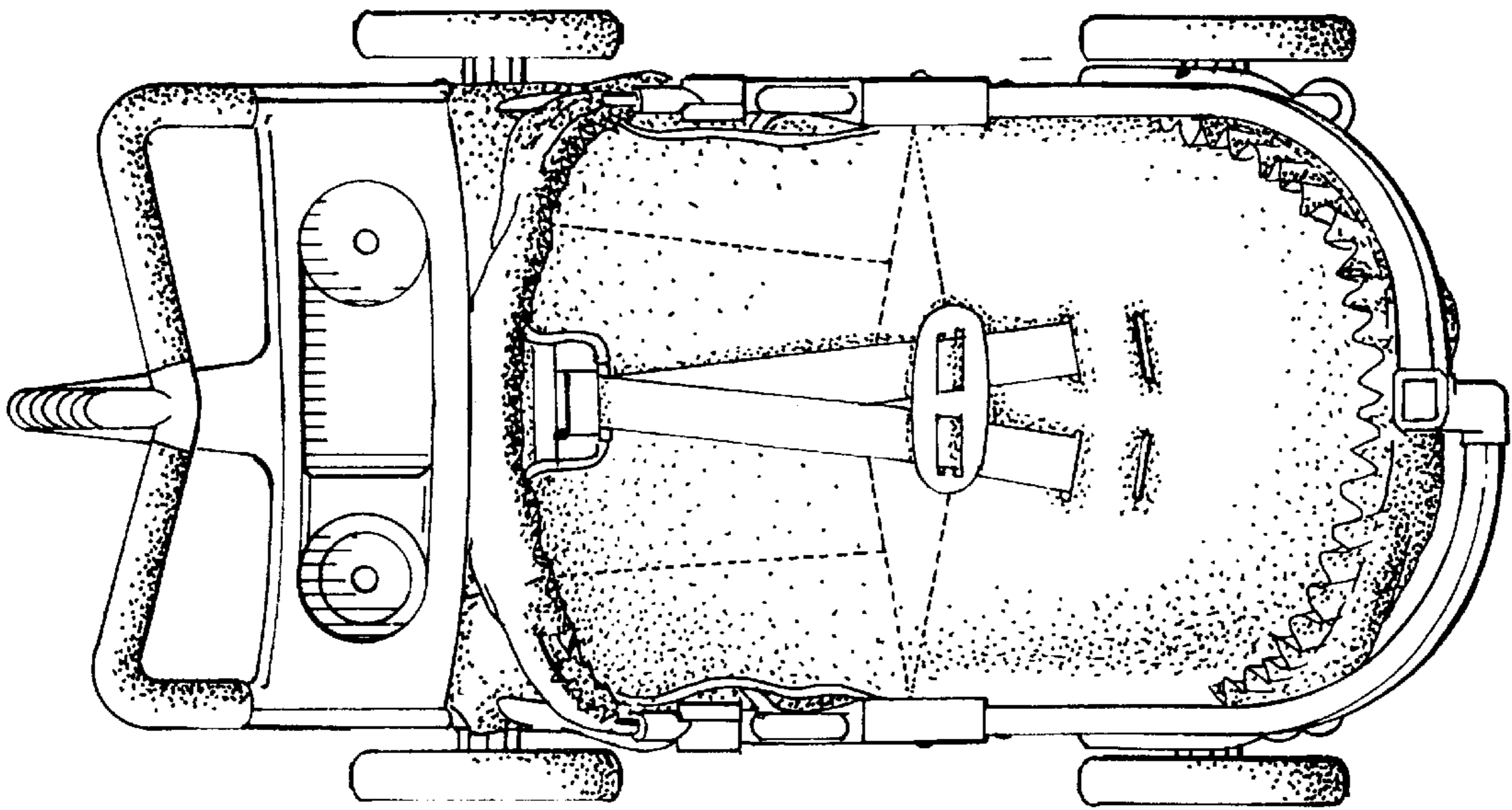


FIG. 7