



US00D421938S

**United States Patent** [19]  
**Chen**

[11] **Patent Number: Des. 421,938**

[45] **Date of Patent: \*\* Mar. 28, 2000**

[54] **TRANSMISSION DEVICE FOR A BICYCLE**

5,605,514 2/1997 Driver ..... 474/70

[76] Inventor: **Ley-Cheng Chen**, No. 19, Lane  
Tung-Ping, Chern-Ping Li, Peitun Dist.,  
Taichung, Taiwan

*Primary Examiner*—Pamela Burgess  
*Attorney, Agent, or Firm*—Kolisich Hartwell Dickinson  
McCormack & Heuser

[\*\*] Term: **14 Years**

[57] **CLAIM**

[21] Appl. No.: **29/106,213**

The ornamental design for a transmission device for a bicycle, as shown and described.

[22] Filed: **Jun. 9, 1999**

**DESCRIPTION**

[51] **LOC (6) Cl.** ..... **12-11**

[52] **U.S. Cl.** ..... **D12/114**

[58] **Field of Search** ..... D12/114; 180/230;  
74/701, 810.1; 280/236-238

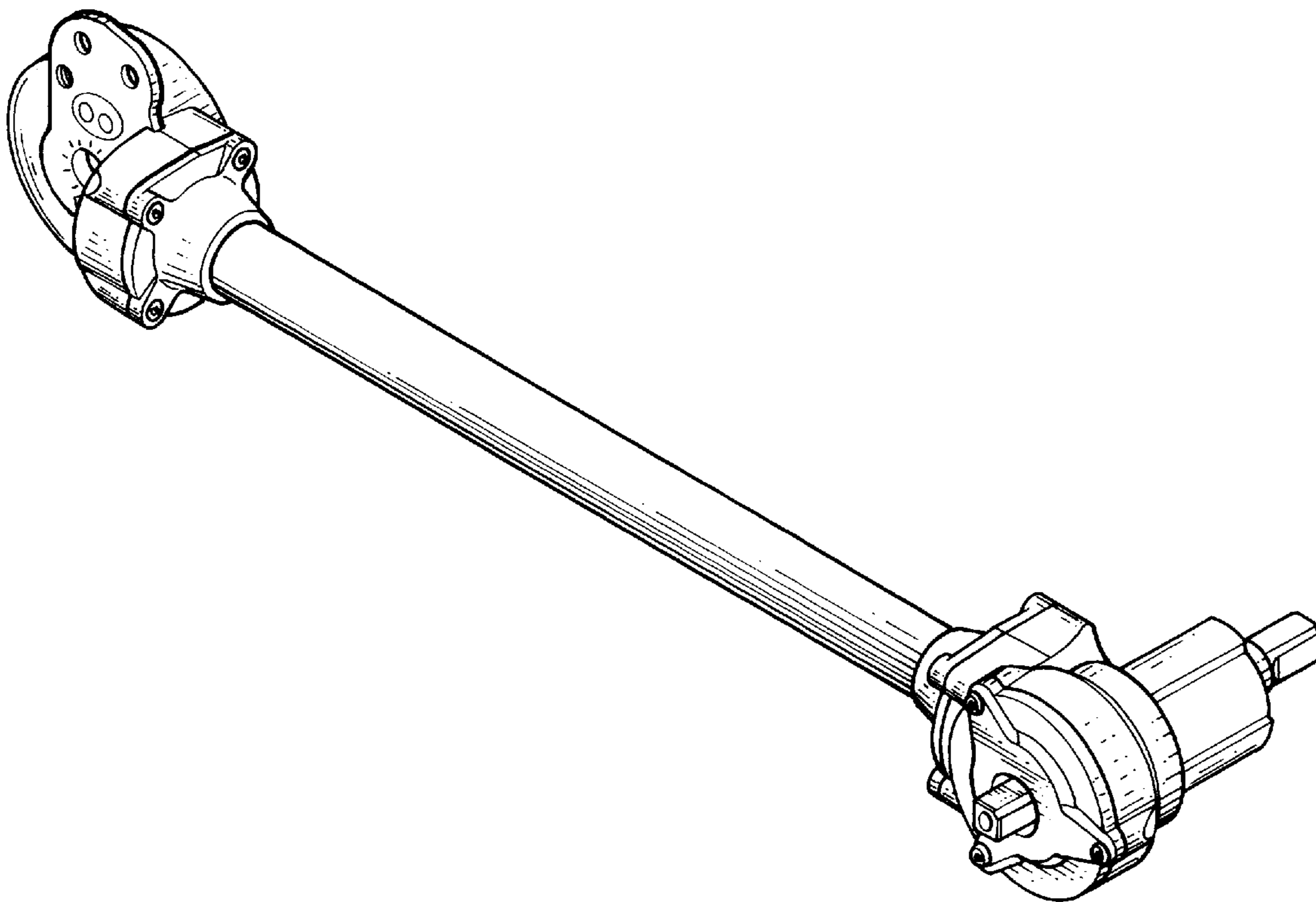
FIG. 1 is a front-right-top perspective view of a transmission device for a bicycle, showing my new design; FIG. 2 is a front elevational view thereof; FIG. 3 is a rear elevational view thereof; FIG. 4 is a left side elevational view thereof; FIG. 5 is a right side elevational view thereof; FIG. 6 is a top plan view thereof; and, FIG. 7 is a bottom plan view thereof.

[56] **References Cited**

**U.S. PATENT DOCUMENTS**

- D. 277,762 2/1985 Borgersen et al. .... D15/149
- D. 354,215 1/1995 Seals ..... D12/114
- D. 371,332 7/1996 Chapple et al. .... D12/114

**1 Claim, 5 Drawing Sheets**



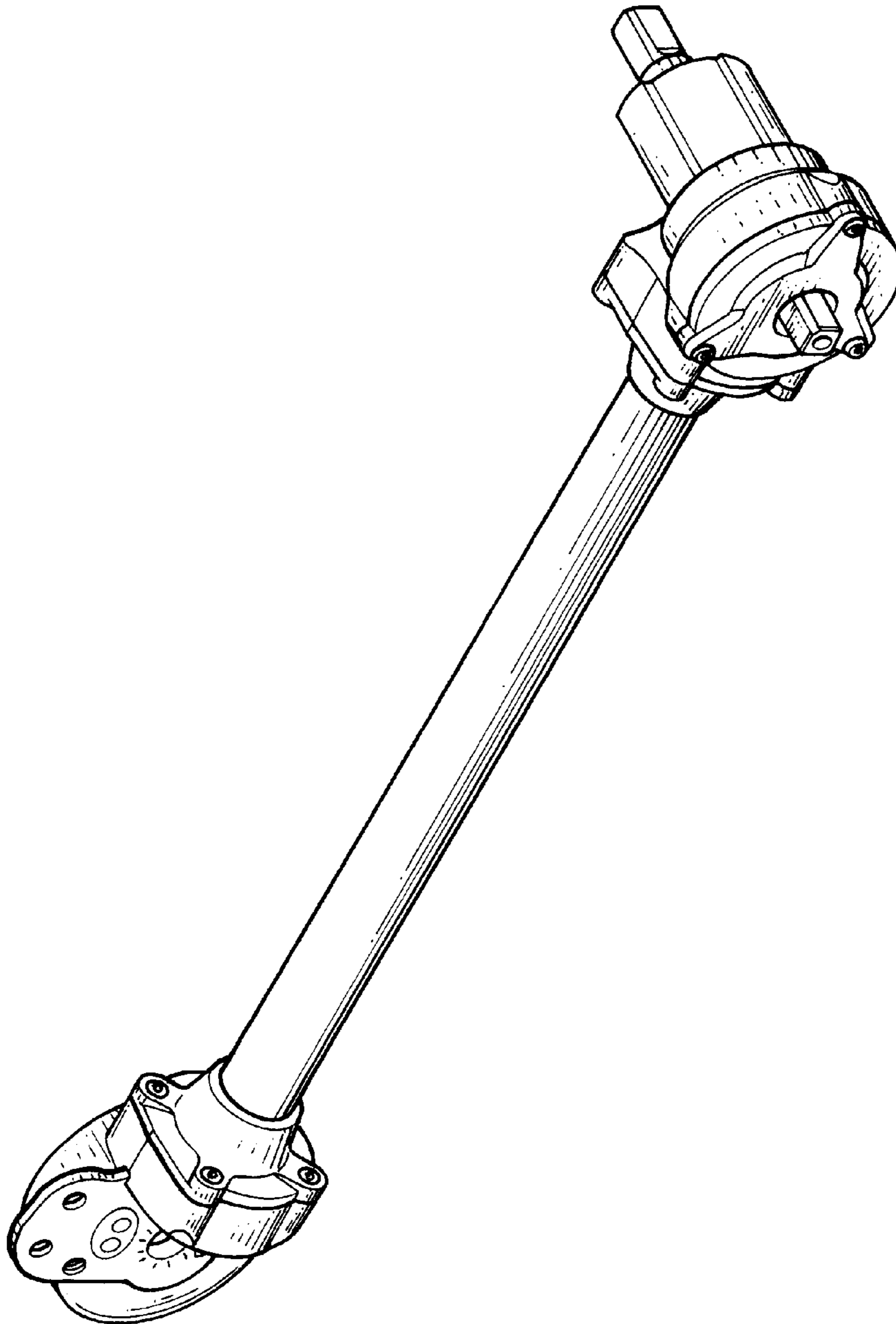


FIG. 1

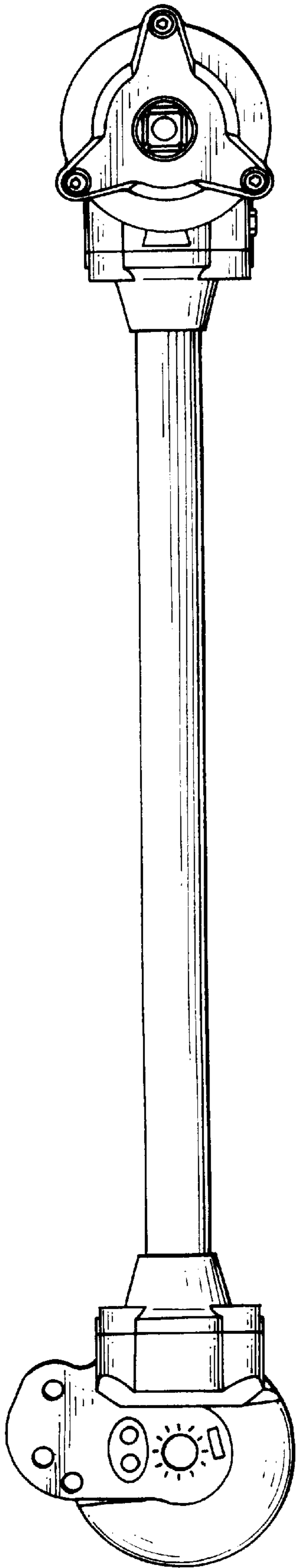


FIG. 2

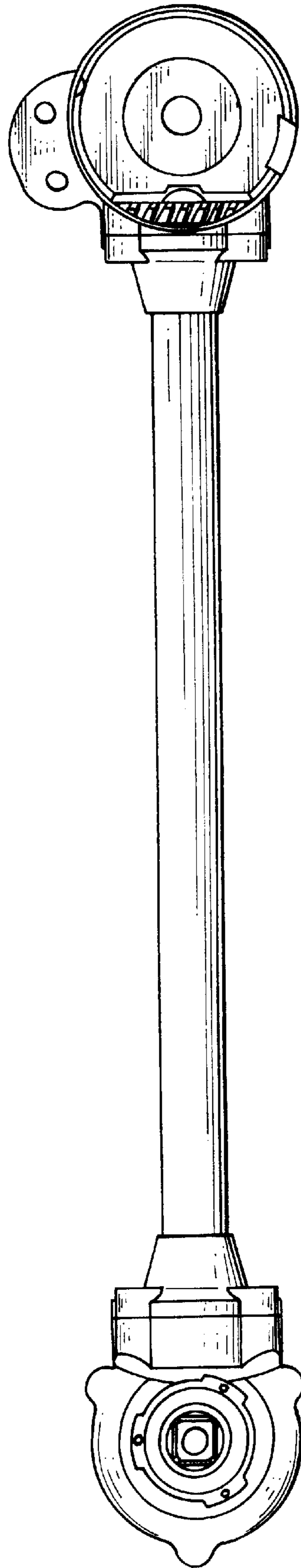


FIG. 3

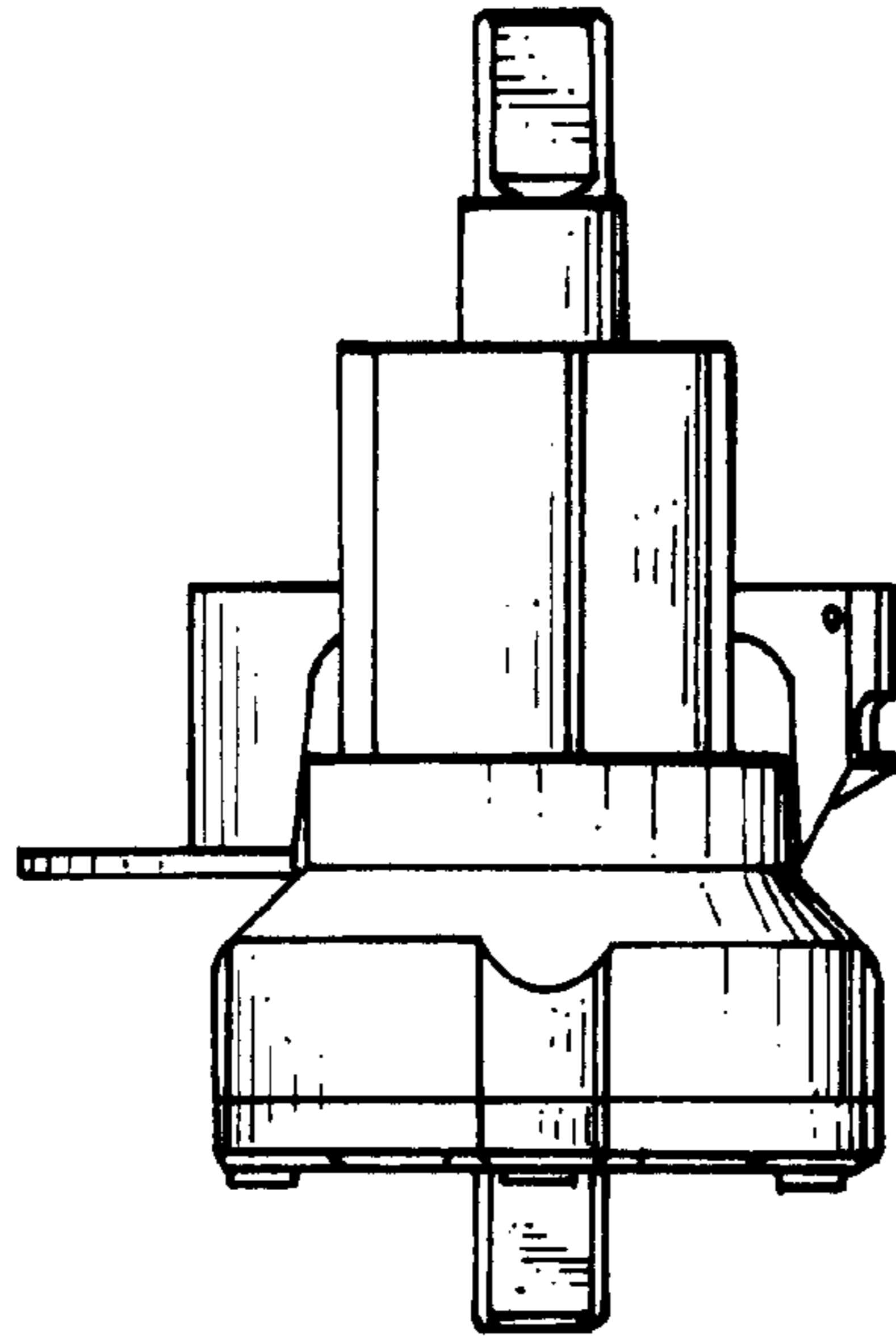


FIG. 5

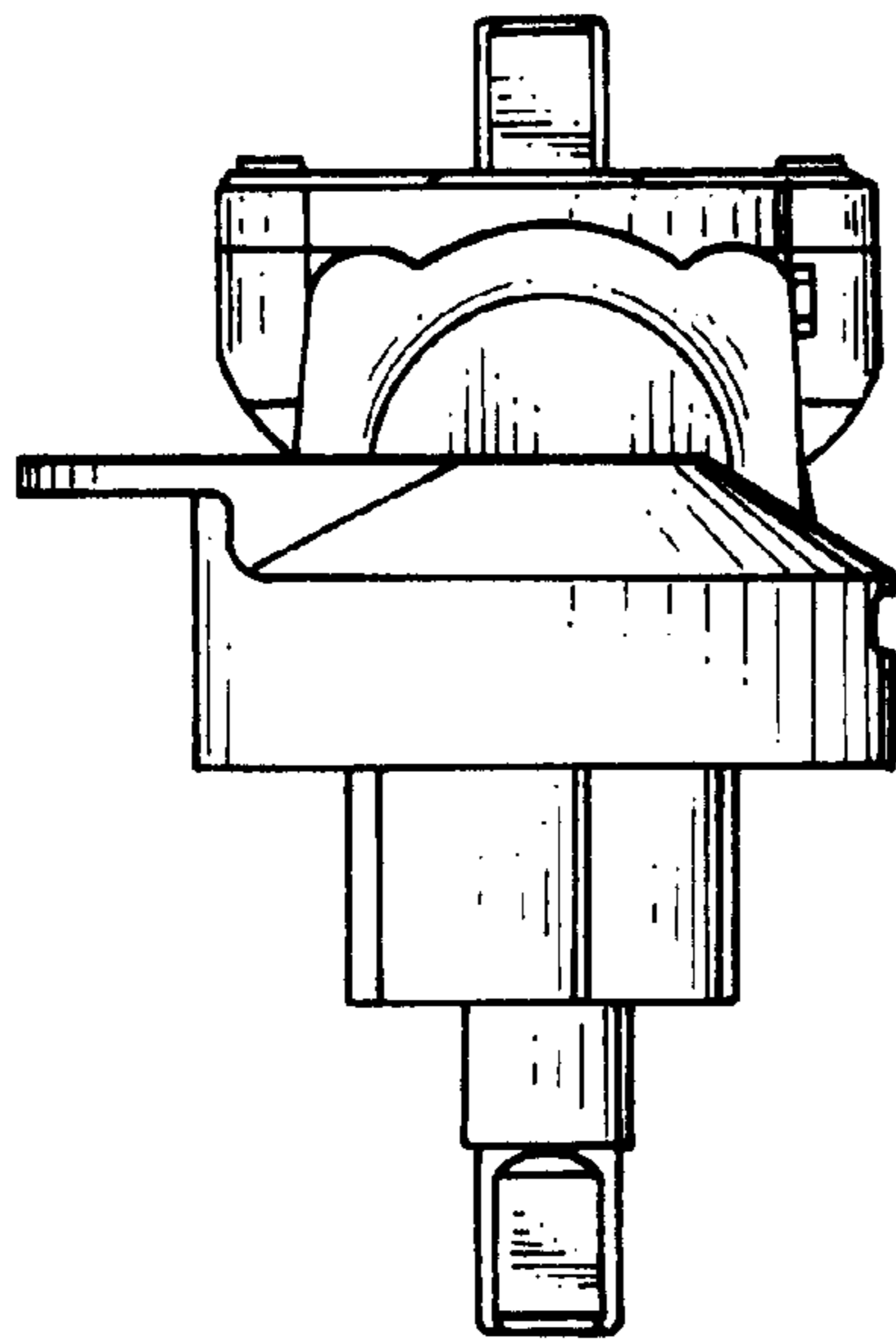


FIG. 4

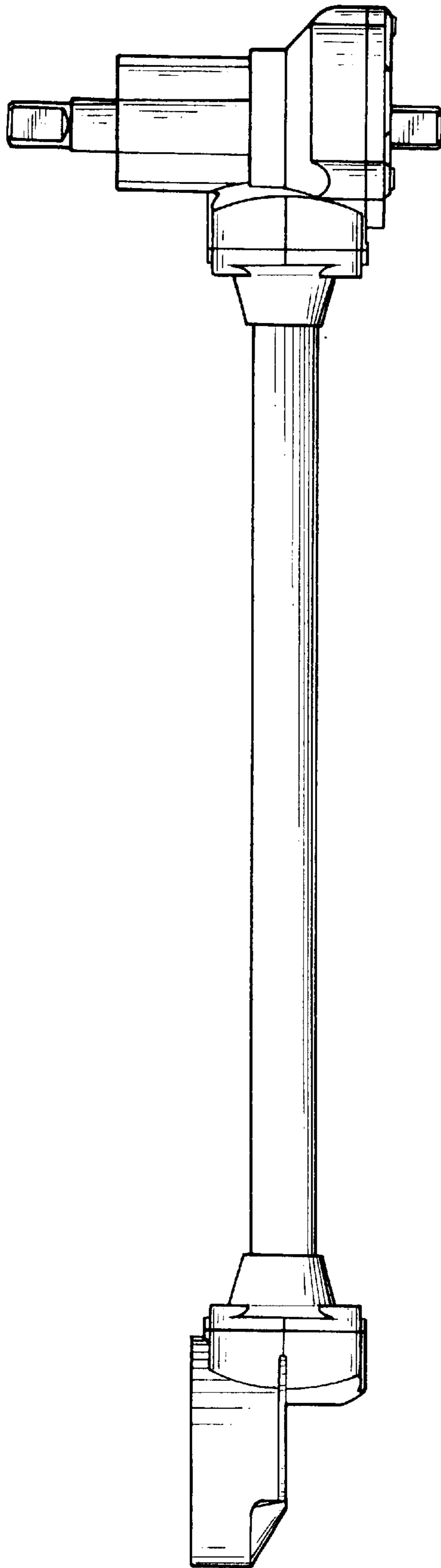


FIG. 6

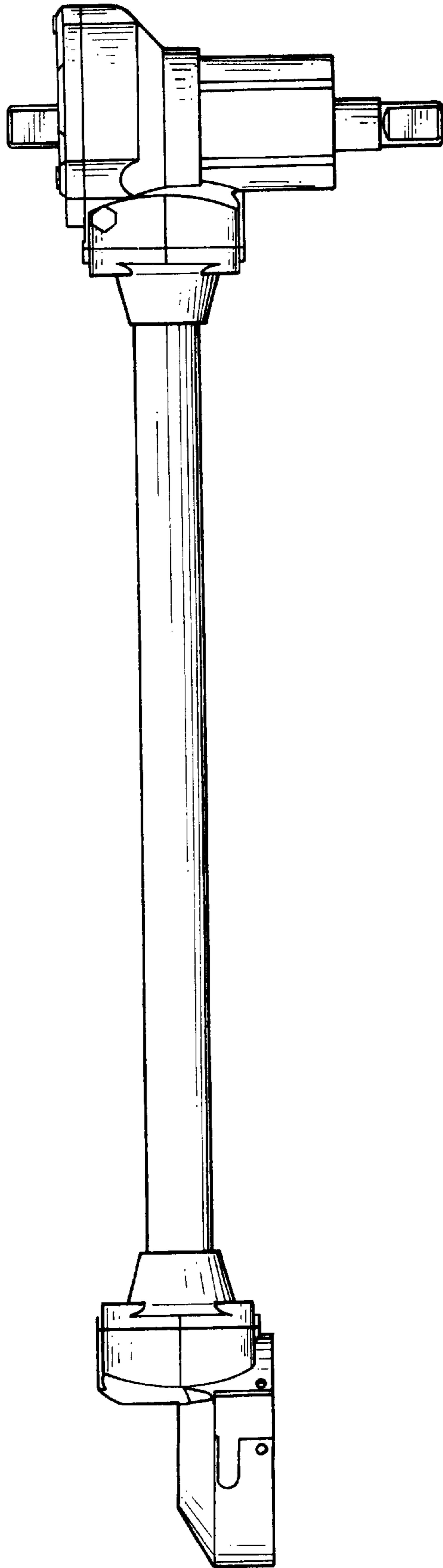


FIG. 7