



US00D421936S

United States Patent [19] Hong

[11] **Patent Number: Des. 421,936**

[45] **Date of Patent: ** Mar. 28, 2000**

[54] **BICYCLE**

D. 393,235 4/1998 Ullman et al. D12/111
4,548,421 10/1985 Wiener 280/281.1

[76] Inventor: **Peter Hong**, No. 9, Lane 136, Lin Chiang Rd., Da Chia Chen, Taichung County, Taiwan

Primary Examiner—Pamela Burgess
Attorney, Agent, or Firm—Dougherty & Troxell

[**] Term: **14 Years**

[57] **CLAIM**

The ornamental design for bicycle, as shown and described.

[21] Appl. No.: **29/095,327**

DESCRIPTION

[22] Filed: **Oct. 21, 1998**

FIG. 1 is a perspective view of a bicycle showing my new design;

[51] **LOC (6) Cl.** **12-11**

[52] **U.S. Cl.** **D12/111**

FIG. 2 is a left side elevational view thereof;

[58] **Field of Search** D12/111; 280/281.1, 280/288.1, 288.3, 282, 267

FIG. 3 is a right side elevational view thereof;

FIG. 4 is a rear elevational view thereof;

FIG. 5 is a front elevational view thereof;

FIG. 6 is a top plan view thereof; and,

FIG. 7 is a bottom plan view thereof.

[56] **References Cited**

U.S. PATENT DOCUMENTS

D. 329,409 9/1992 Allsop et al. D12/111

1 Claim, 6 Drawing Sheets



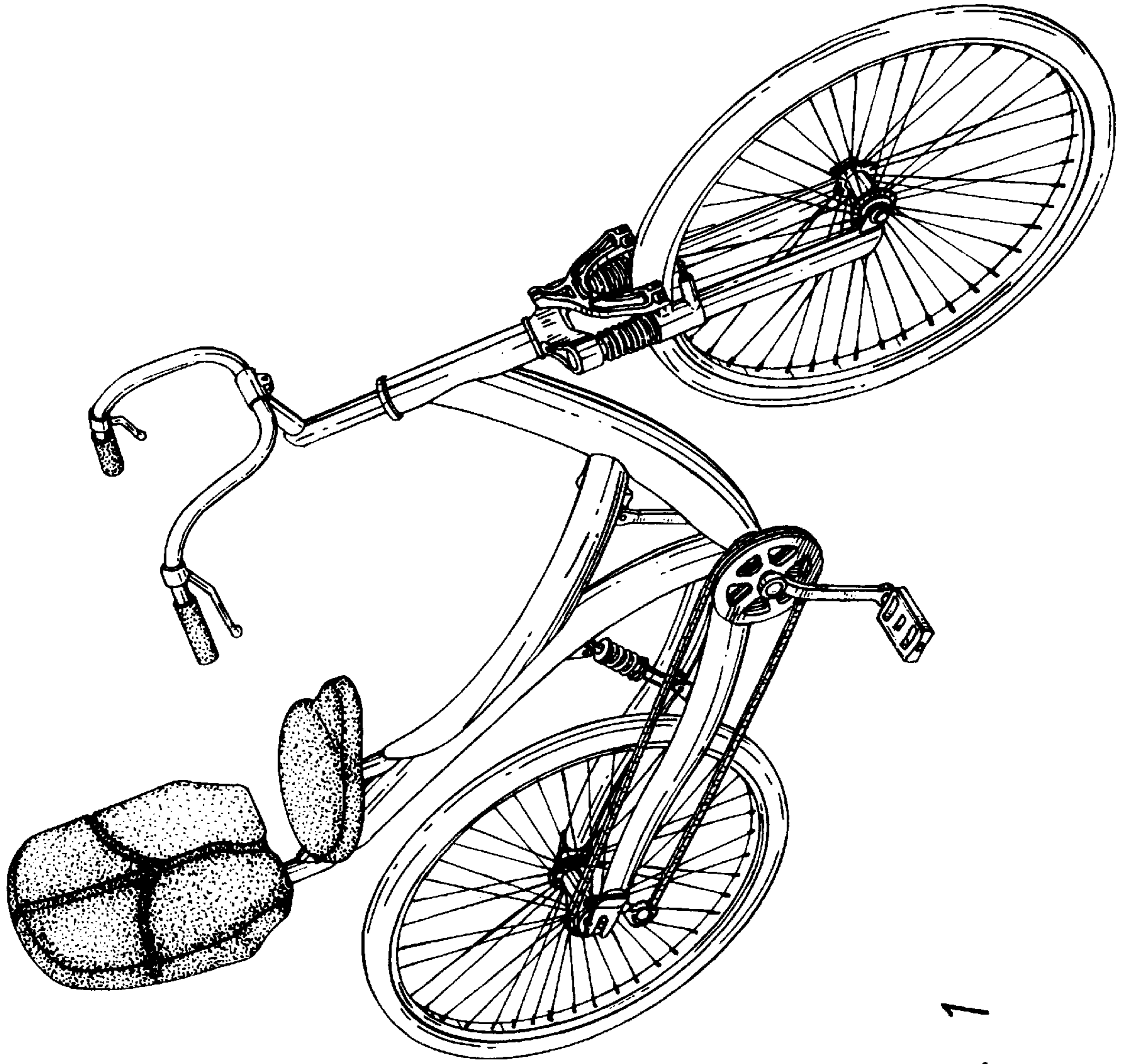


FIG. 1

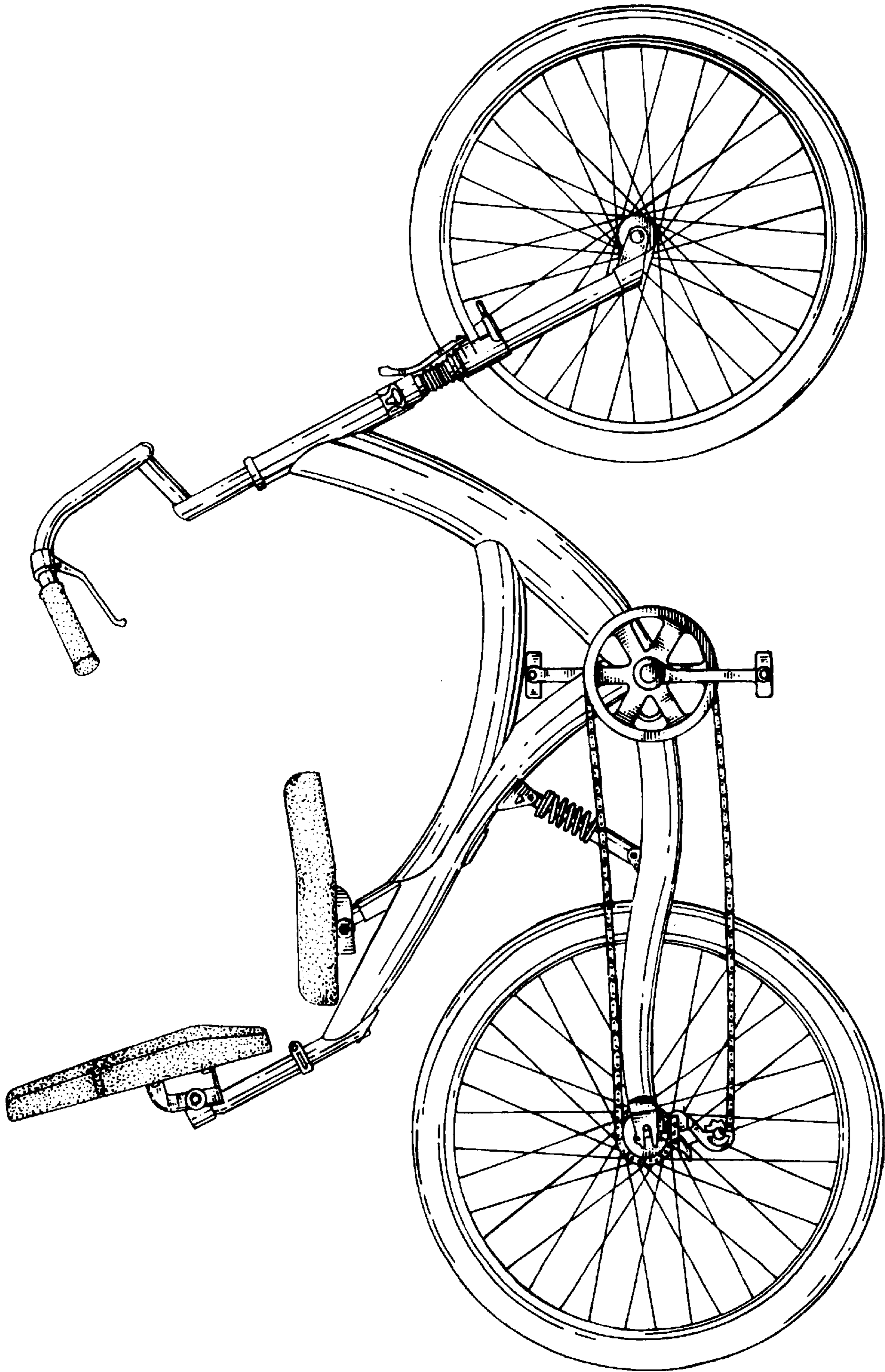


FIG. 2

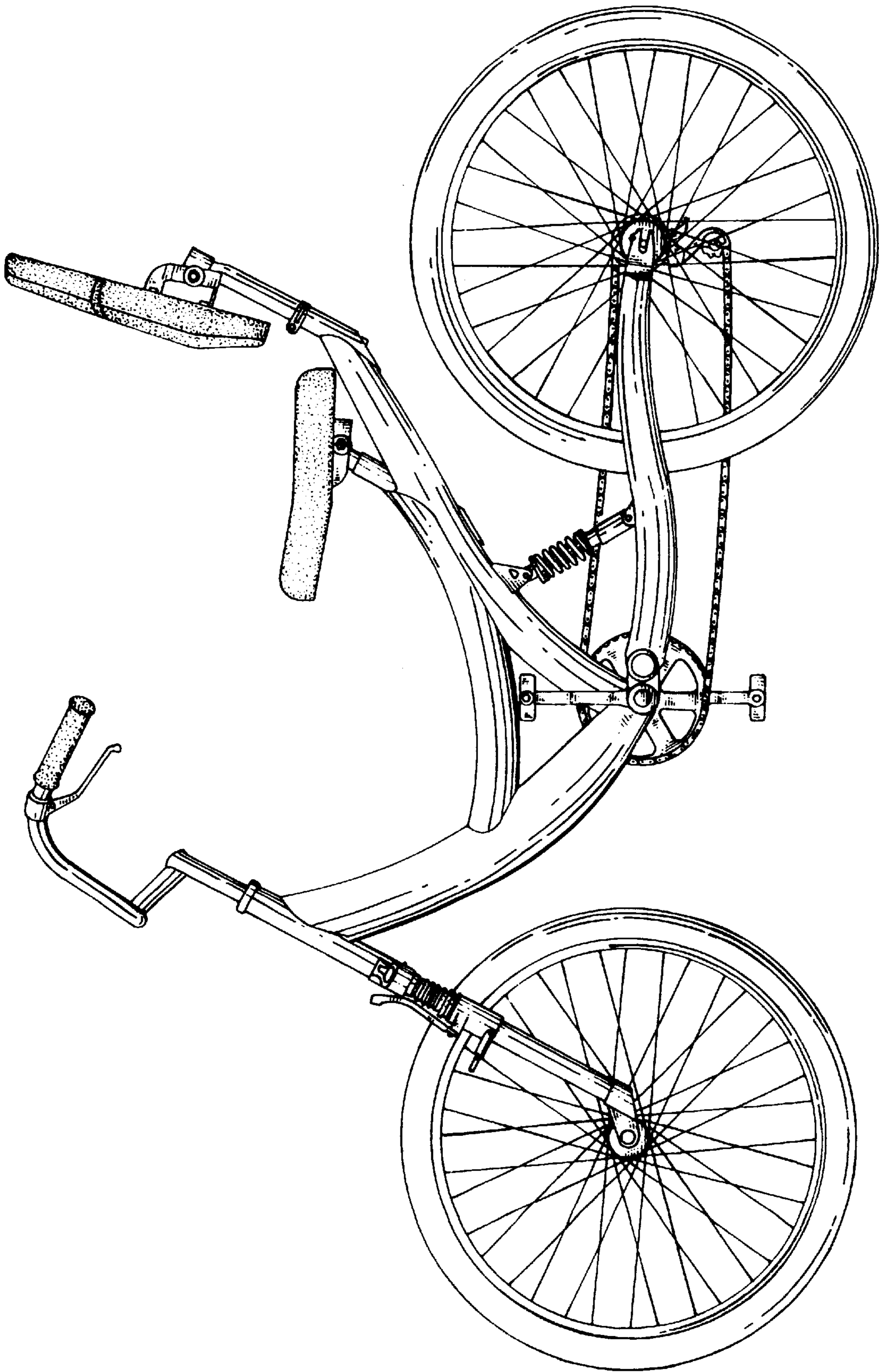


FIG. 3

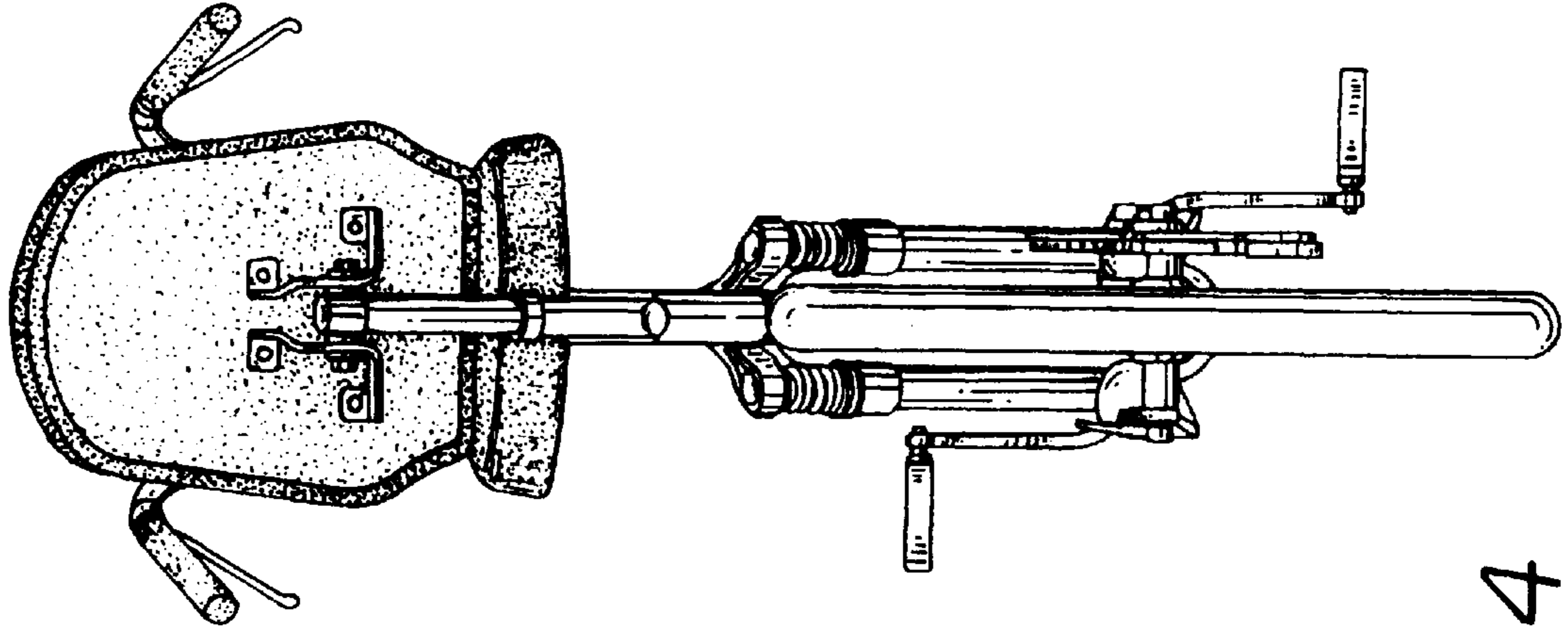


FIG. 4

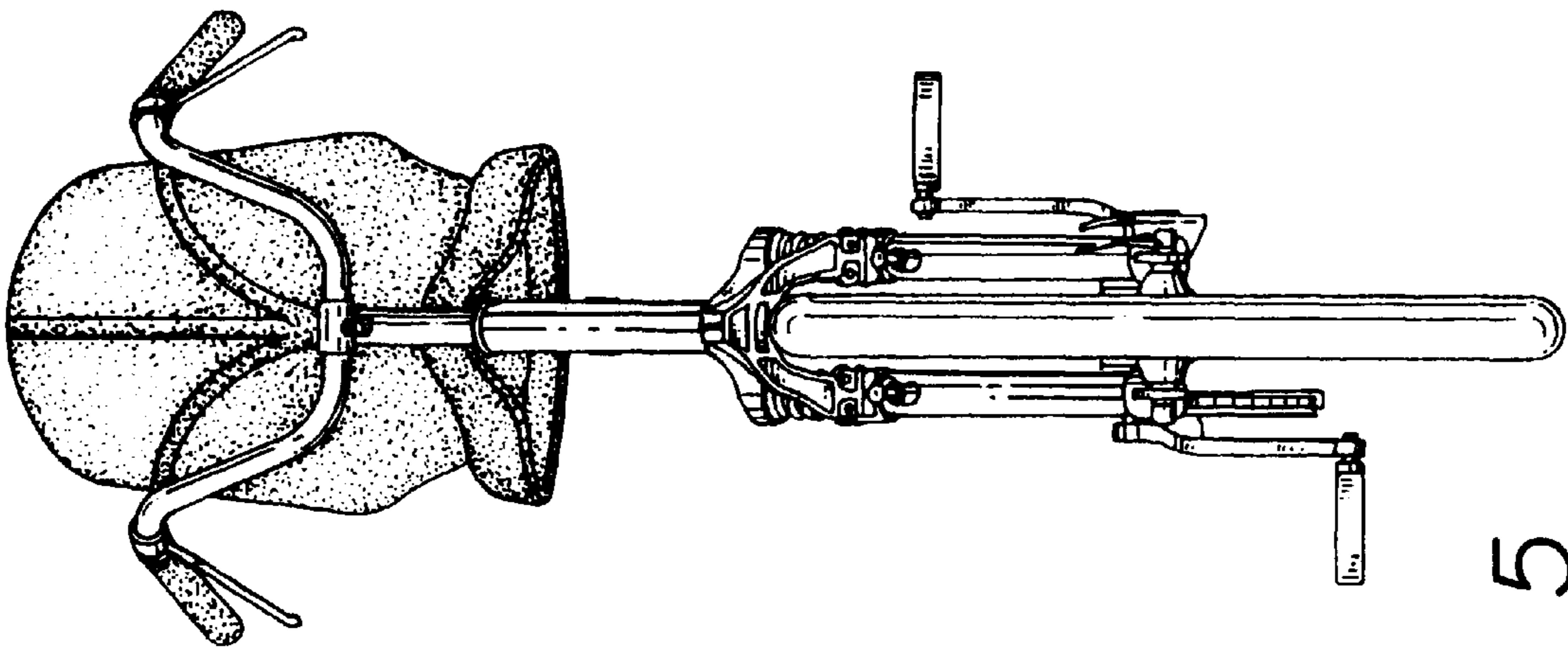


FIG. 5

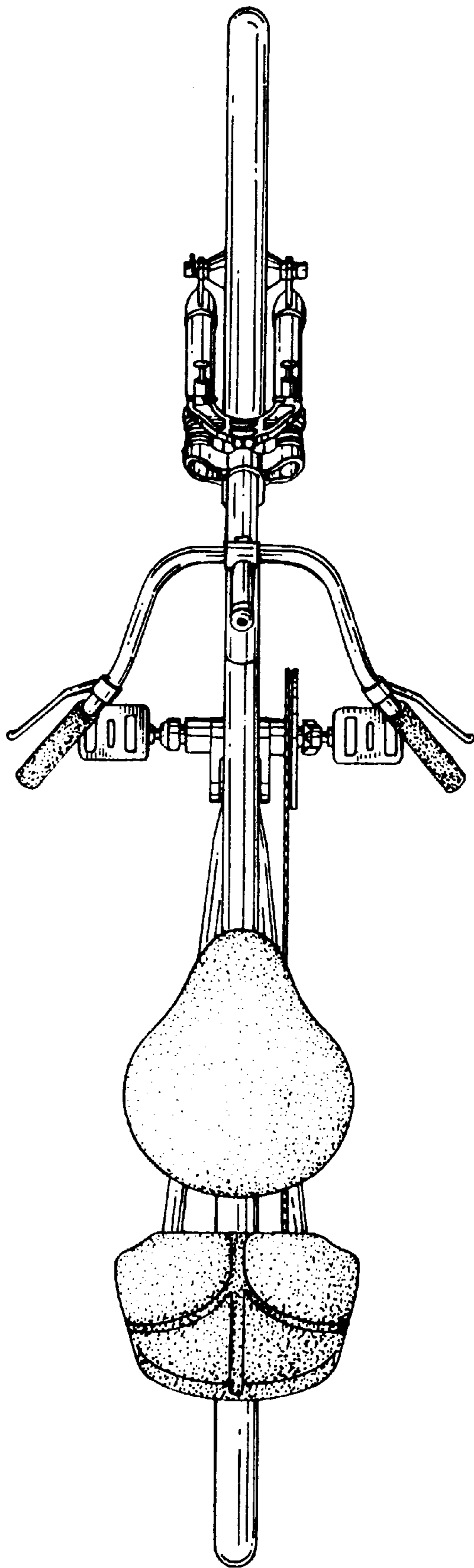


FIG. 6

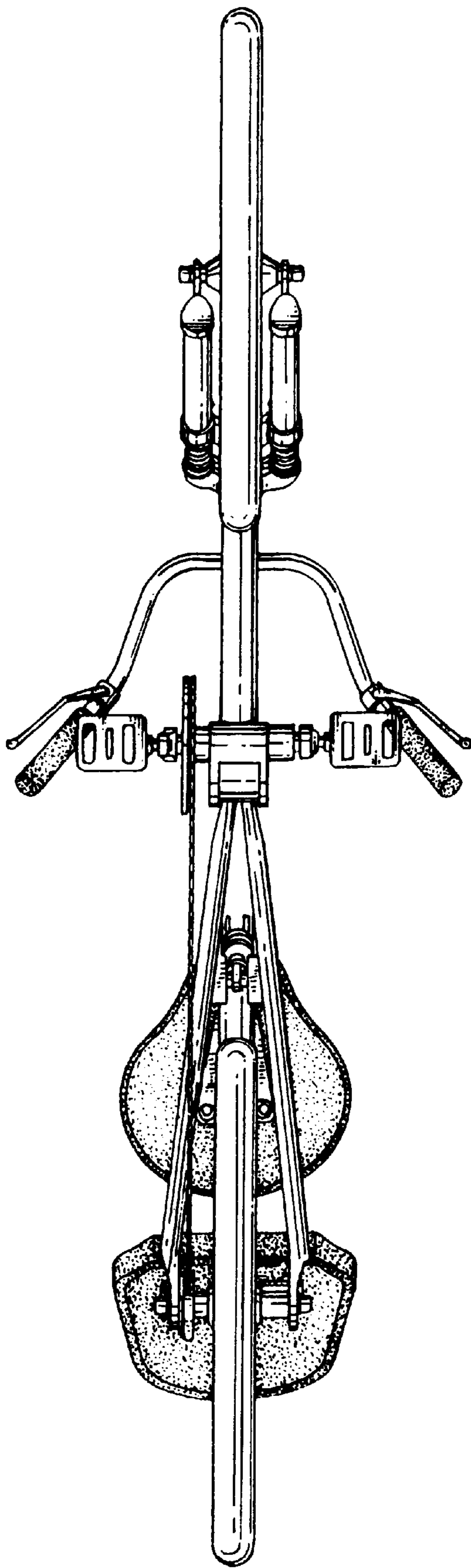


FIG. 7