



US00D421929S

United States Patent [19]
Hernandez

[11] **Patent Number: Des. 421,929**

[45] **Date of Patent: ** Mar. 28, 2000**

[54] **LED TRAFFIC SIGNAL**

[75] Inventor: **Jay Hernandez**, Kerrville, Tex.

[73] Assignee: **International Traffic Control Products, Inc.**, Junction, Tex.

[**] Term: **14 Years**

[21] Appl. No.: **29/105,908**

[22] Filed: **Jun. 3, 1999**

[51] **LOC (6) Cl.** **10-05**

[52] **U.S. Cl.** **D10/115**

[58] **Field of Search** D10/114, 115;
D26/1, 2, 3; 313/313, 315, 318, 113; 315/56,
57, 58

[56] **References Cited**

U.S. PATENT DOCUMENTS

D. 388,726 1/1998 Wu D10/115

Primary Examiner—Marcus A. Jackson
Attorney, Agent, or Firm—Monty L. Ross; Locke Liddell & Sapp LLP

[57] **CLAIM**

The ornamental design for an LED traffic signal, as shown and described.

DESCRIPTION

FIG. 1 is a rotated bottom perspective view of an LED traffic signal, showing my design;

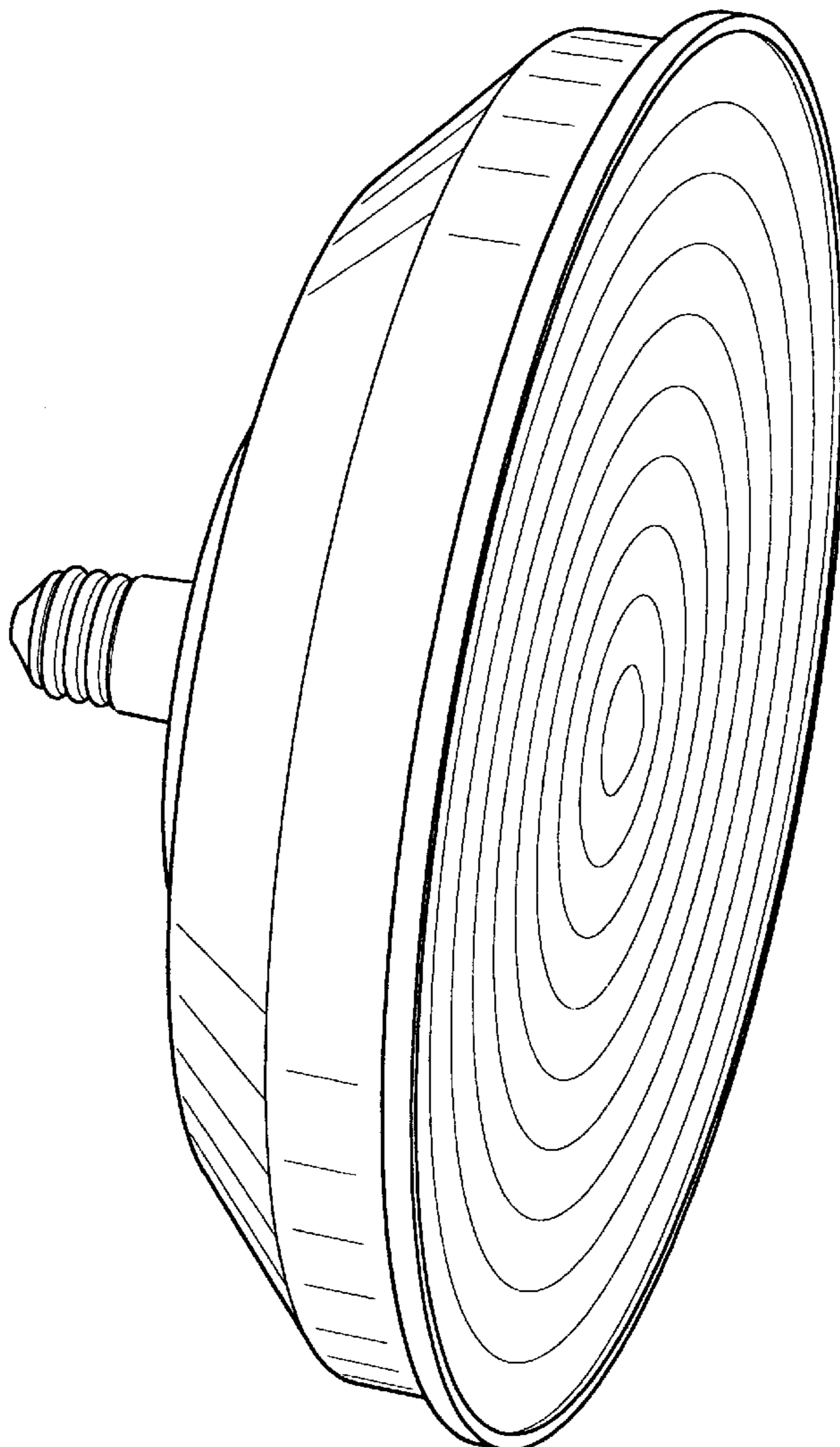
FIG. 2 is a rotated top perspective view thereof;

FIG. 3 is a top plan view thereof;

FIG. 4 is a front elevation view thereof; and,

FIG. 5 is a bottom plan view thereof.

1 Claim, 2 Drawing Sheets



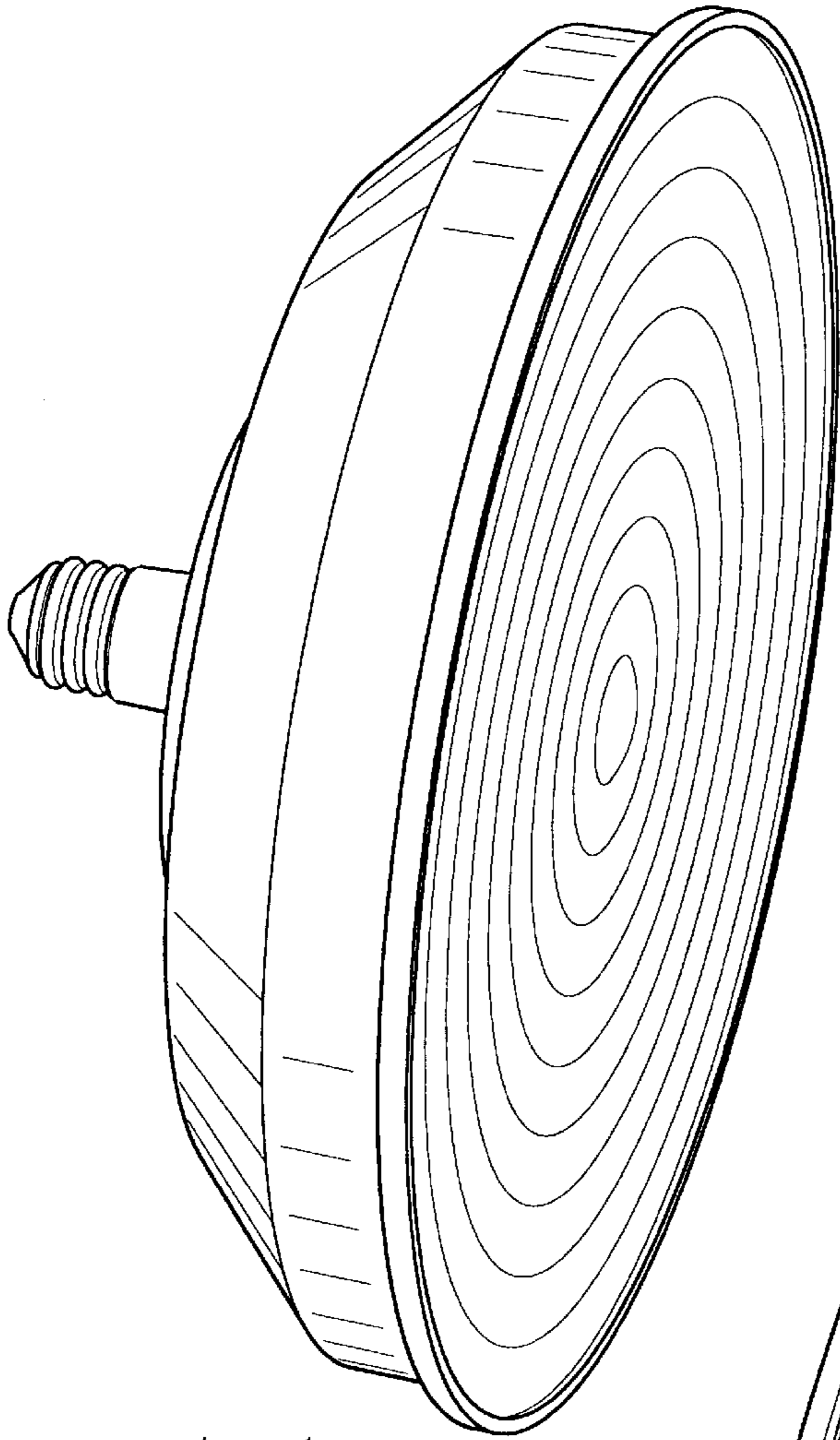


FIG. 1

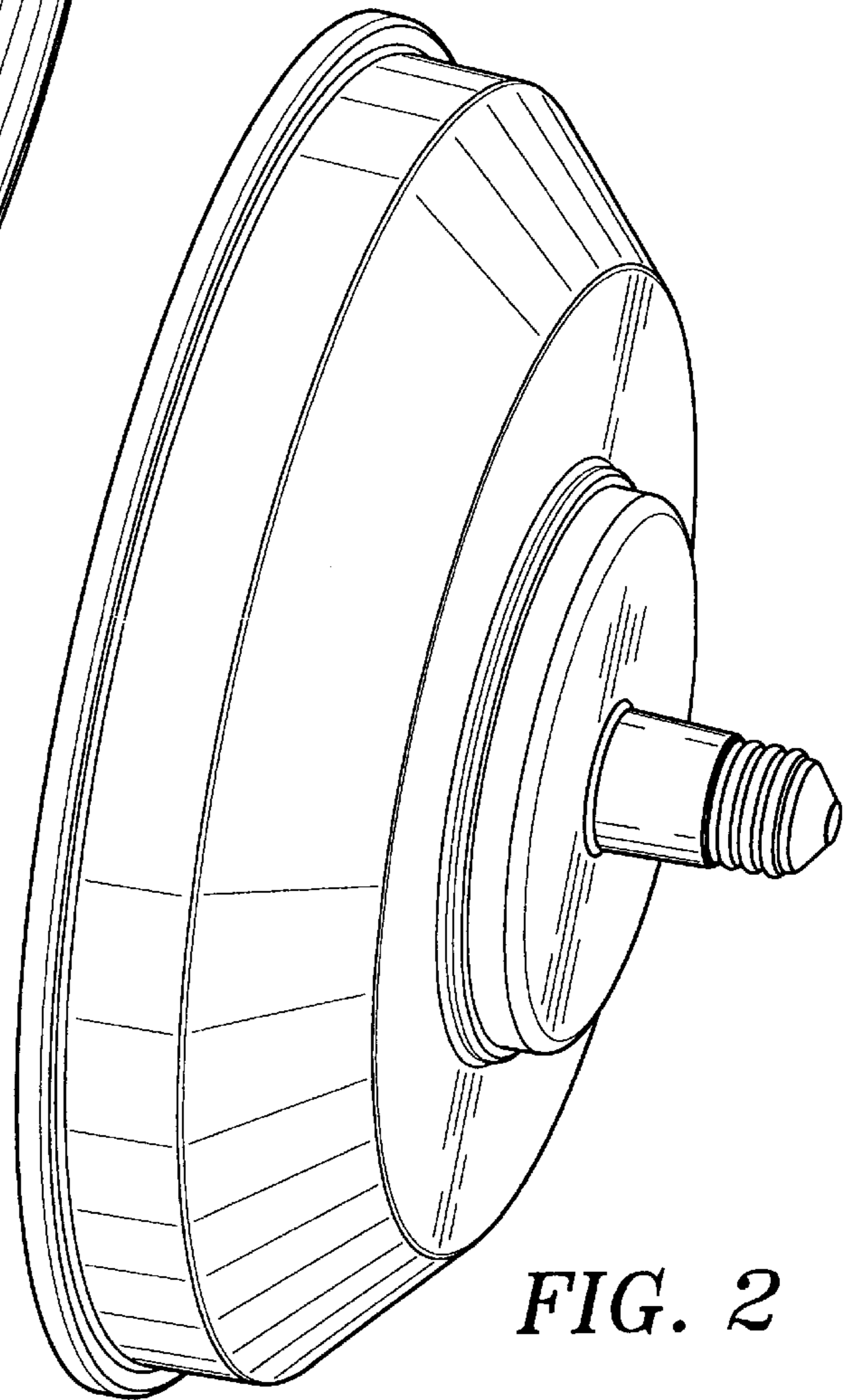


FIG. 2

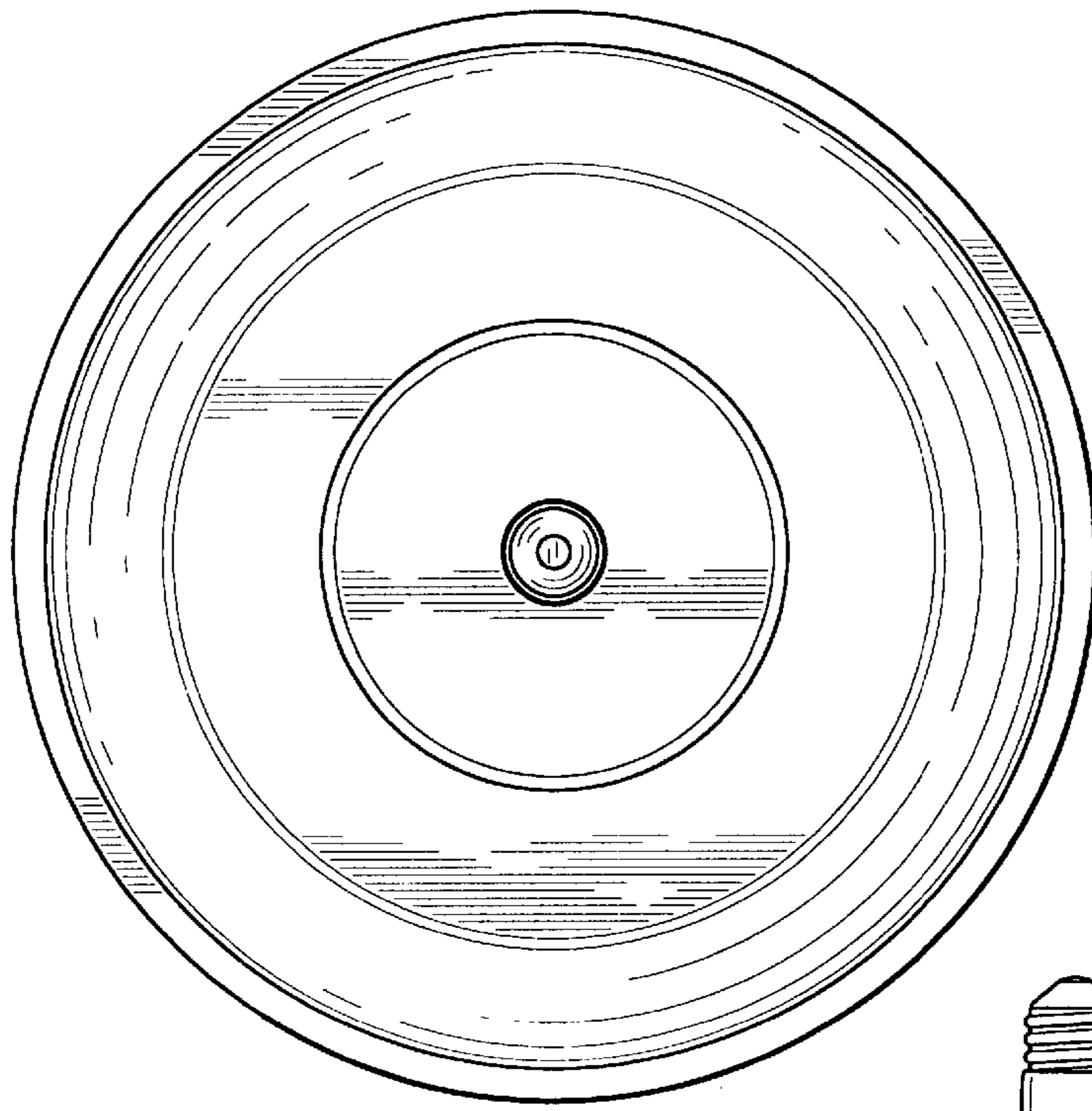


FIG. 3

FIG. 4

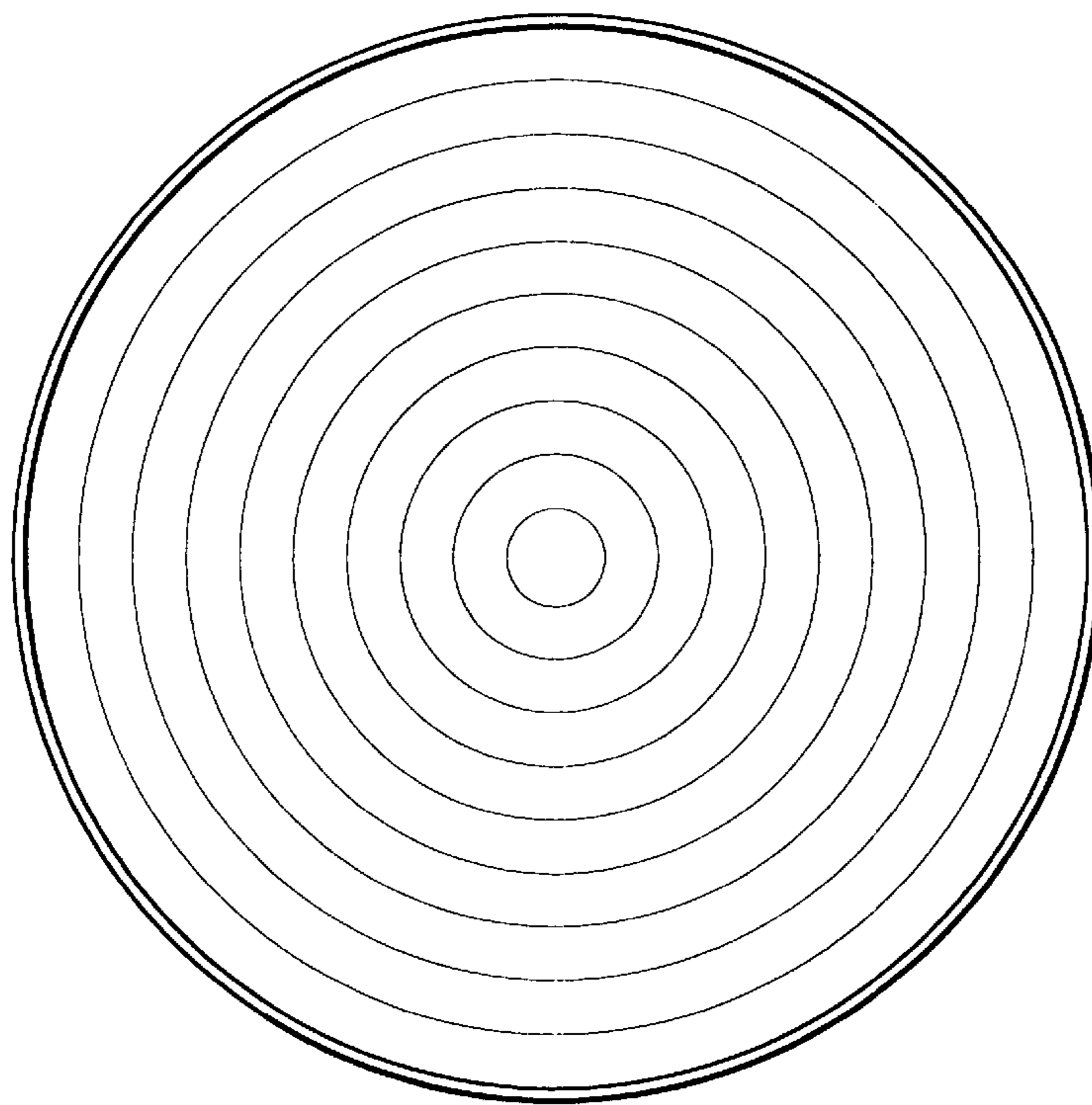
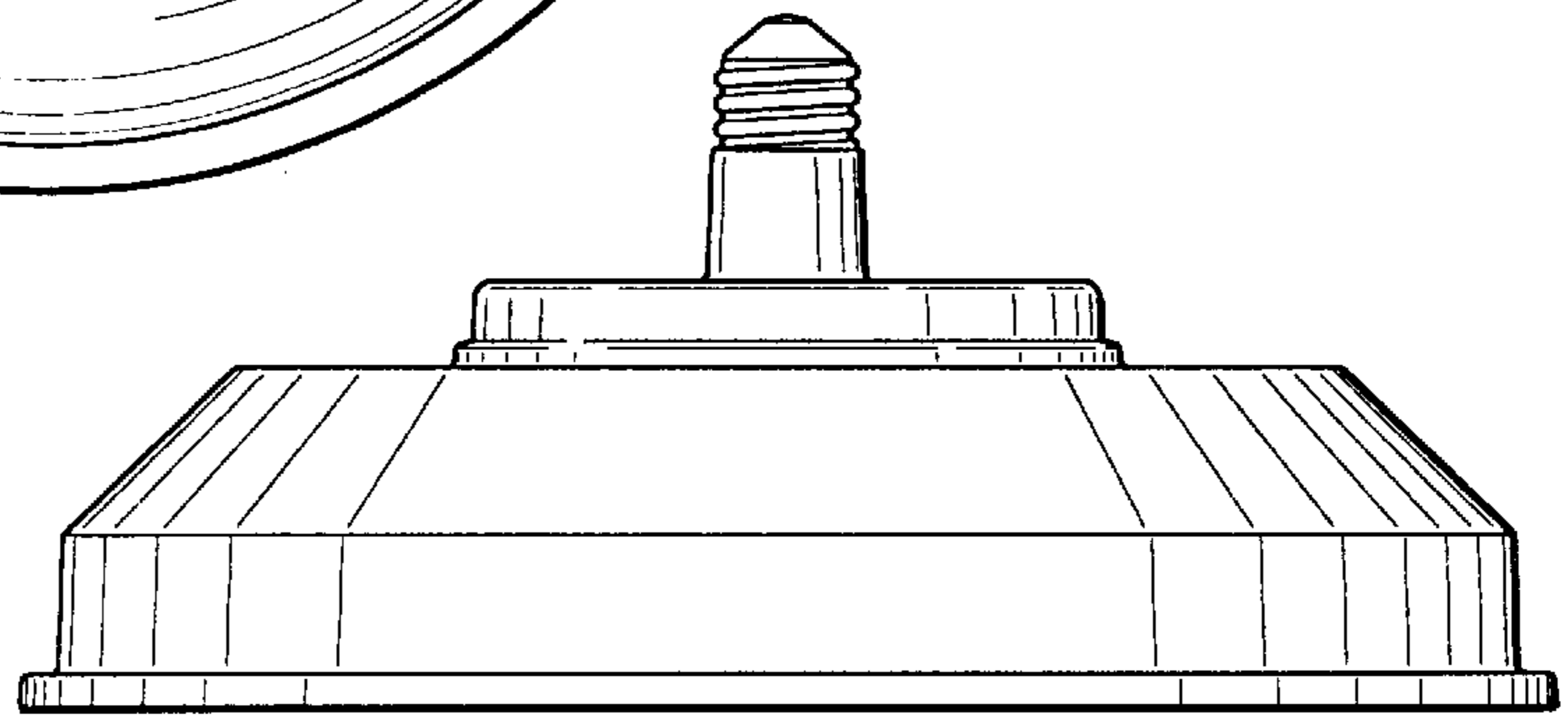


FIG. 5