



US00D421928S

United States Patent [19]

Russo

[11] Patent Number: **Des. 421,928**

[45] Date of Patent: **** Mar. 28, 2000**

[54] **HOME SECURITY TELEVISION EMULATOR**

[76] Inventor: **Bartholomew T Russo**, 13 Lincoln La., West Paterson, N.J. 07424

[**] Term: **14 Years**

[21] Appl. No.: **29/105,833**

[22] Filed: **Jun. 3, 1999**

[51] **LOC (6) Cl.** **10-05**

[52] **U.S. Cl.** **D10/106**

[58] **Field of Search** D10/104, 106, D10/116, 121; 340/540, 541, 542, 551, 571, 572, 573, 590, 693

[56] **References Cited**

U.S. PATENT DOCUMENTS

D. 312,221	11/1990	Steele et al.	D10/106
D. 326,619	6/1992	Soloway	D10/106
D. 336,053	6/1993	Hayes et al.	D10/106
D. 389,762	1/1998	Yorkey	D10/106

Primary Examiner—Marcus A. Jackson

[57] **CLAIM**

The ornamental design for a home security television emulator, as shown and described.

DESCRIPTION

FIG. 1 is a front elevational view of the home security television emulator of the present invention, with the cord broken away to indicate indeterminate length;

FIG. 2 is a rear elevational view of the home security television emulator of FIG. 1;

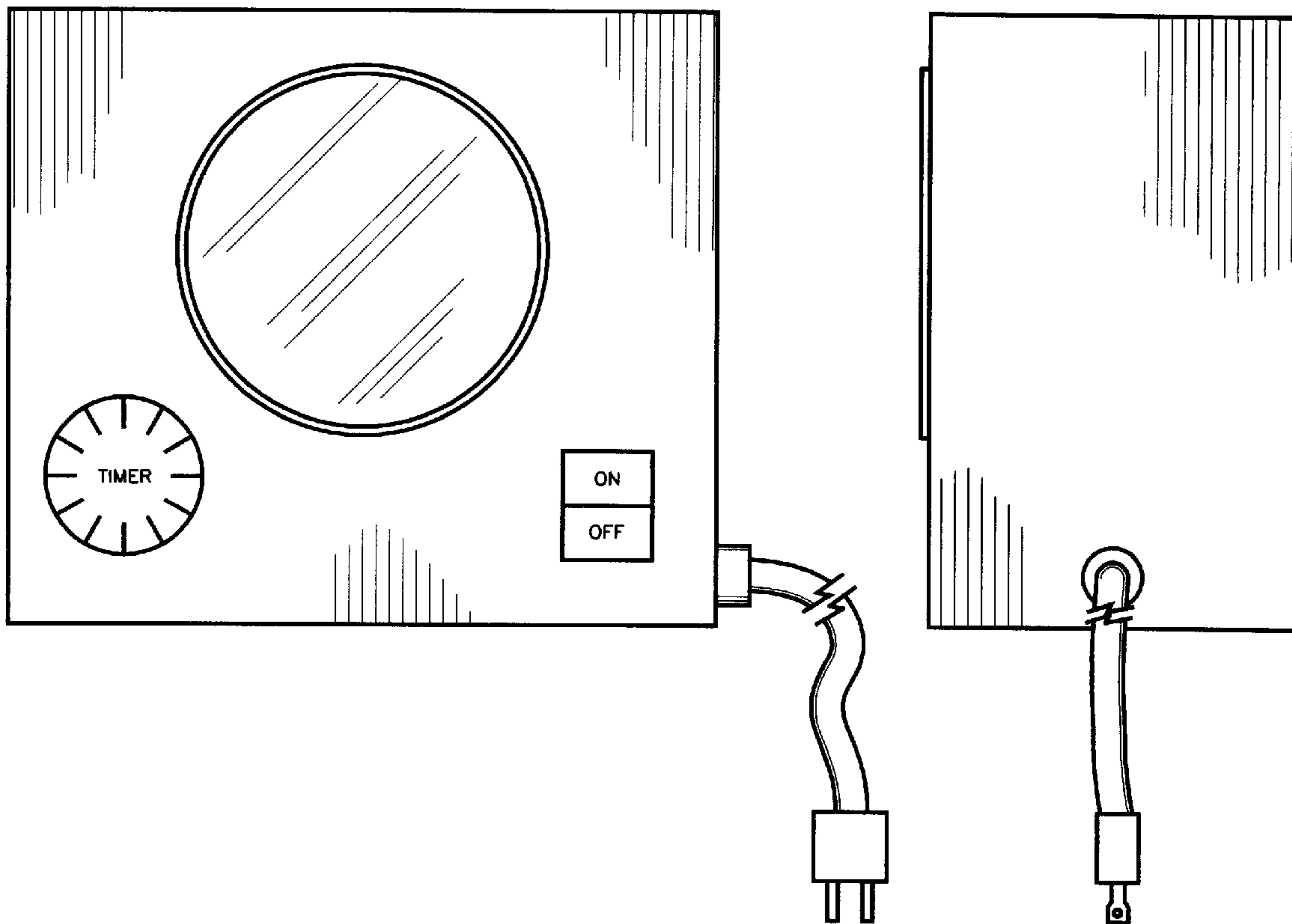
FIG. 3 is a left side elevational view of the home security television emulator of FIG. 1;

FIG. 4 is a right side elevational view of the home security television emulator of FIG. 1;

FIG. 5 is a top plan view of the home security television emulator of FIG. 1; and,

FIG. 6 is a bottom plan view of the home security television emulator of FIG. 1.

1 Claim, 2 Drawing Sheets



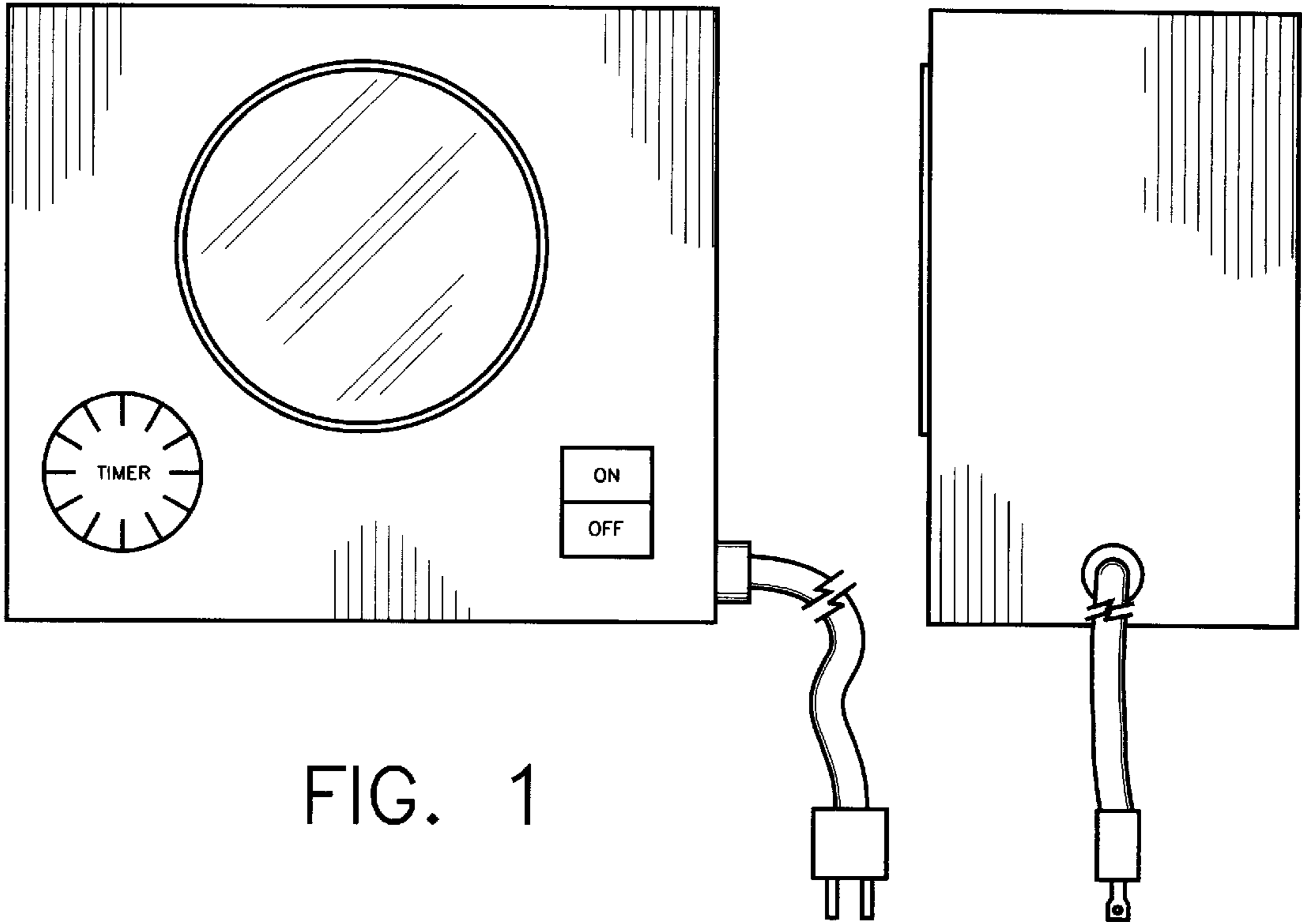


FIG. 1

FIG. 4

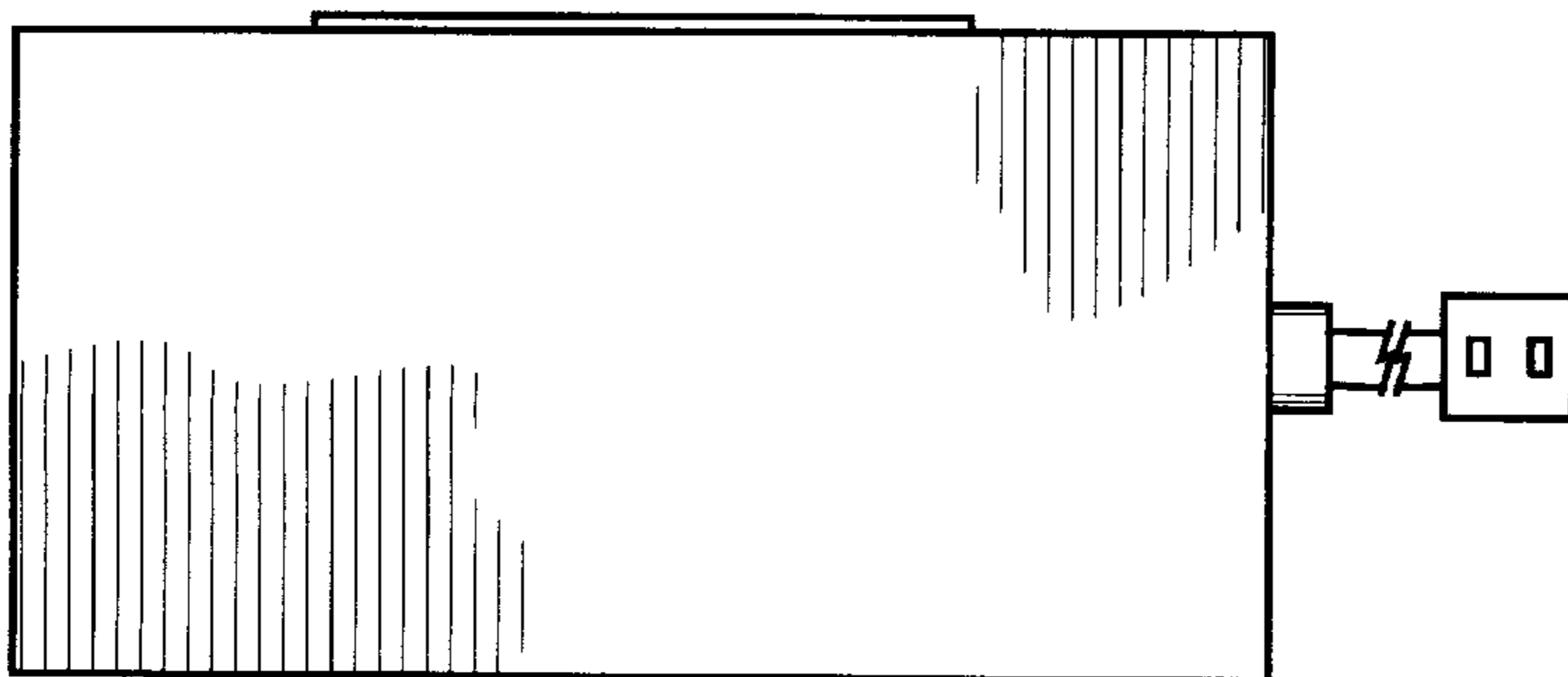


FIG. 6

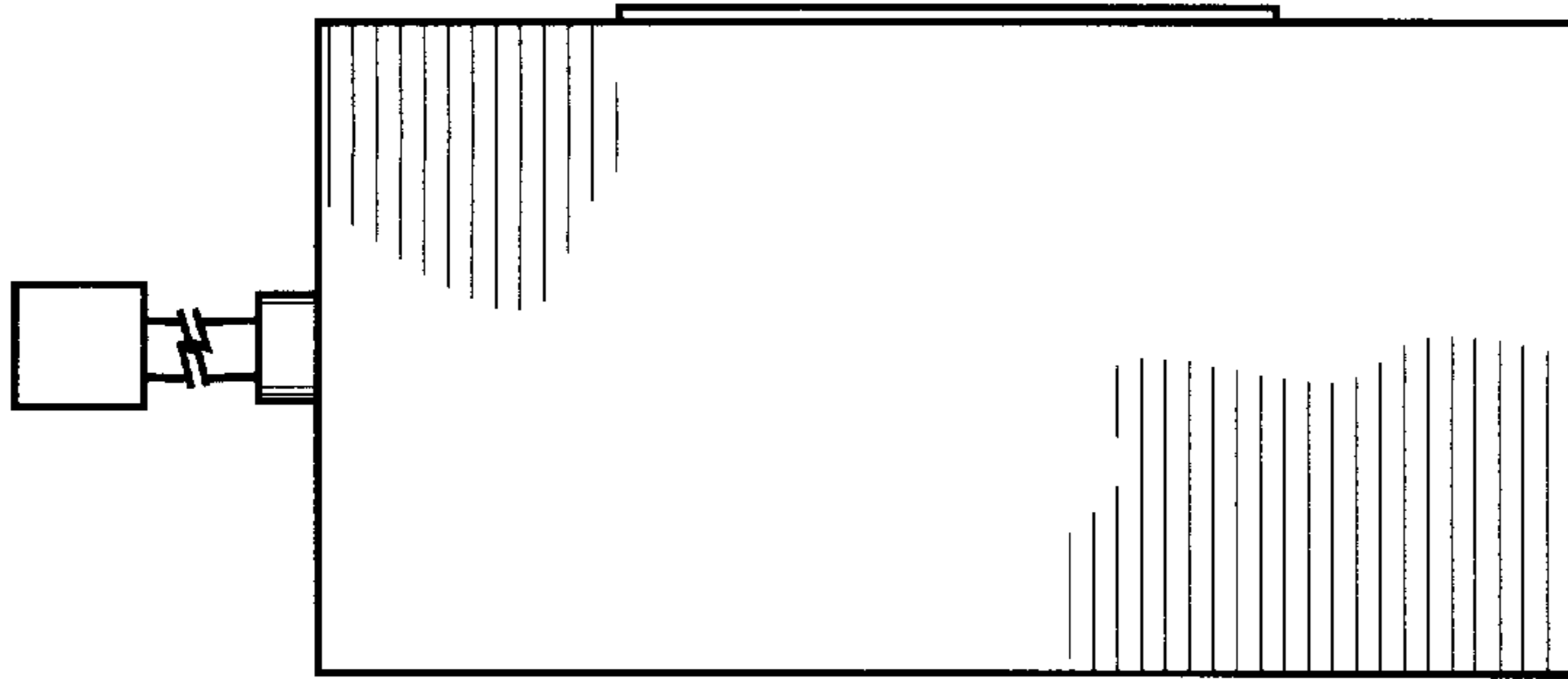


FIG. 5

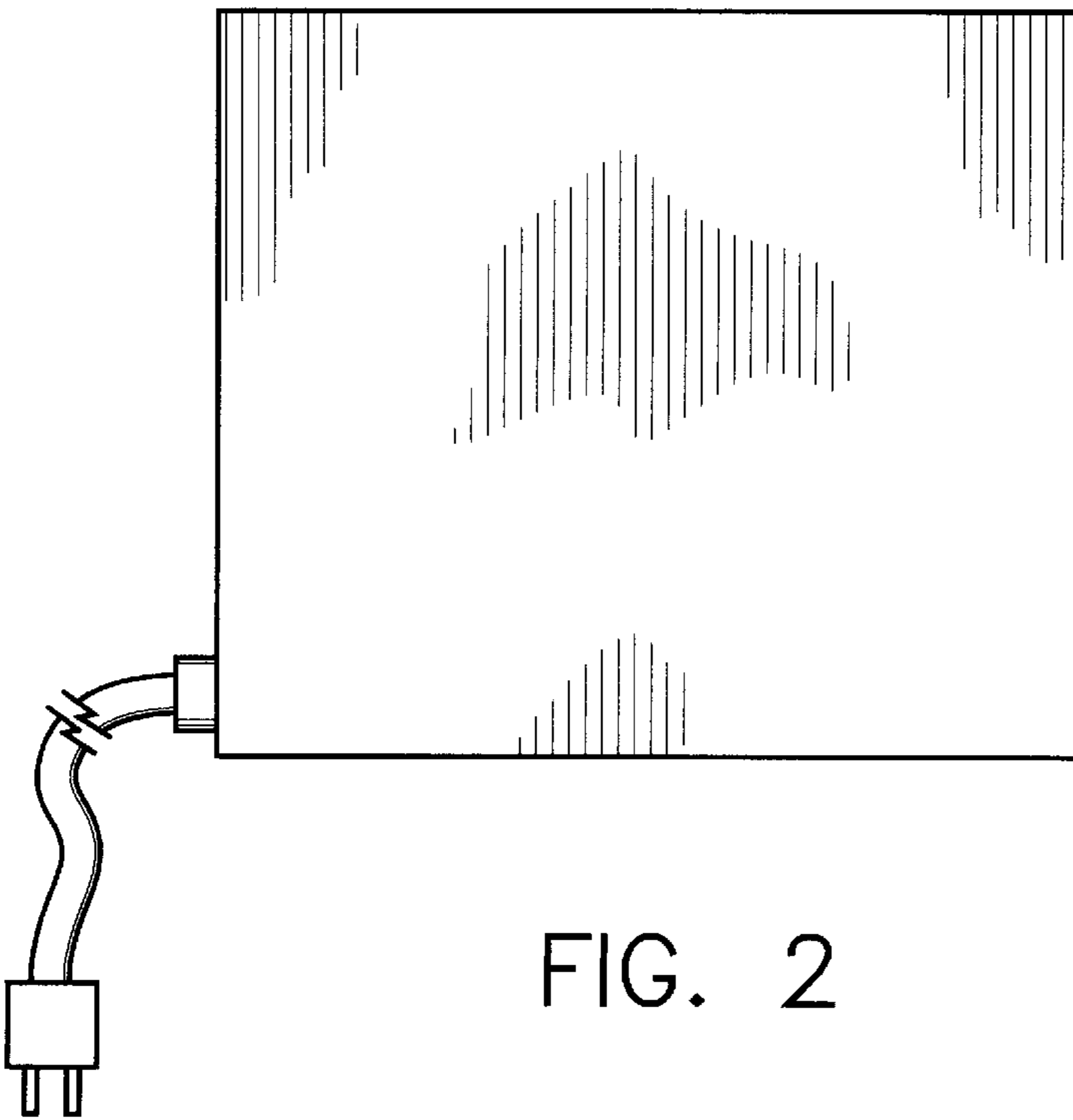


FIG. 2

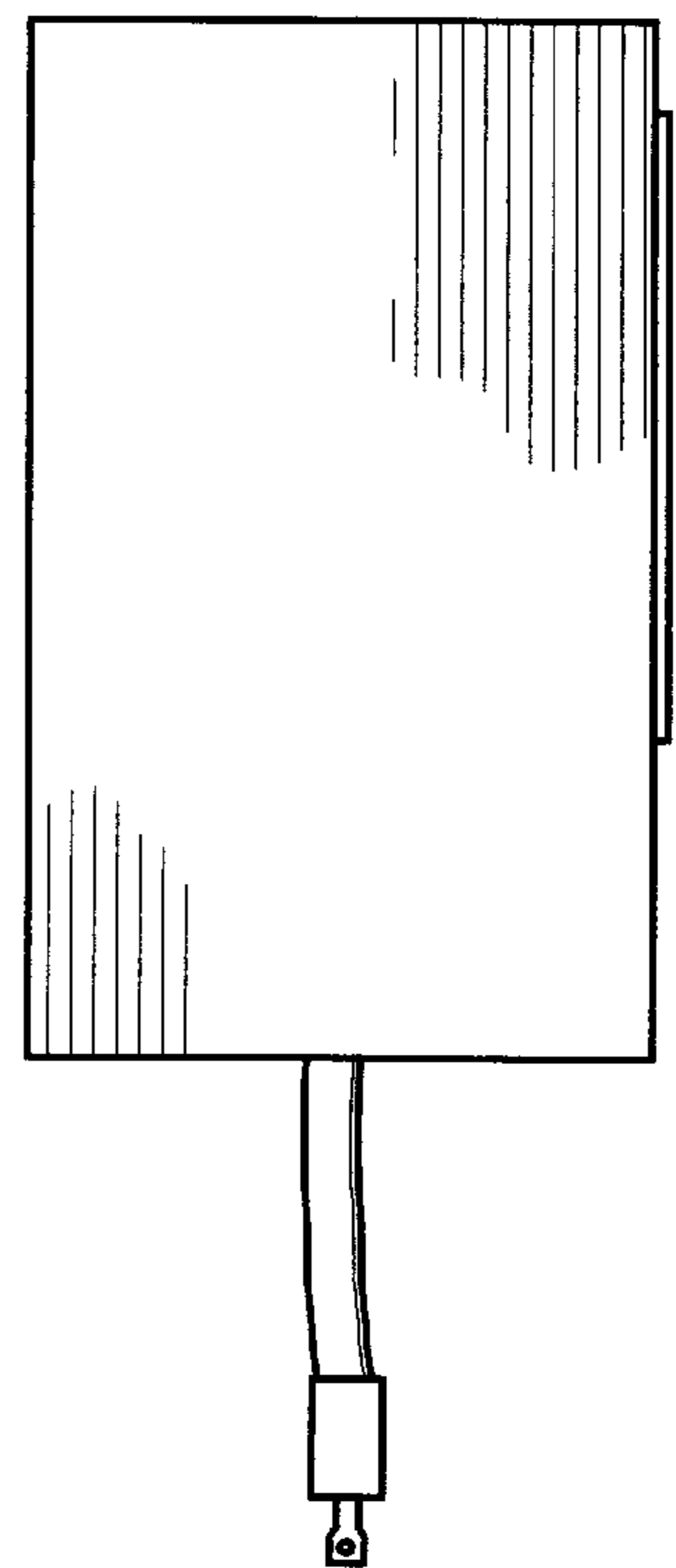


FIG. 3