



US00D421927S

United States Patent [19]

Binder et al.

[11] **Patent Number: Des. 421,927**

[45] **Date of Patent: ** Mar. 28, 2000**

[54] **MEASURING INSTRUMENT**

[75] Inventors: **Jörg Binder**, Friedenweiler; **Andreas Derr**, Wutöschingen-Degernau, both of Germany

[73] Assignee: **Testo GmbH & Co.**, Germany

[**] Term: **14 Years**

[21] Appl. No.: **29/093,947**

[22] Filed: **Sep. 22, 1998**

[30] **Foreign Application Priority Data**

Mar. 24, 1998 [XH] Hague Agreement DM/043563

[51] **LOC (6) Cl.** **10-04**

[52] **U.S. Cl.** **D10/103; D10/99**

[58] **Field of Search** D10/53, 55, 99, D10/103; 73/195-201, 273, 274; 116/212

[56] **References Cited**

U.S. PATENT DOCUMENTS

D. 348,017 6/1994 Poleshuk et al. D10/99

Primary Examiner—Antoine Duval Davis
Attorney, Agent, or Firm—Pendorf & Cutliff

[57] **CLAIM**

The ornamental design for a measuring instrument, as shown and described.

DESCRIPTION

FIG. 1 is a perspective view of a measuring instrument;

FIG. 2 is a front plan view of the measuring instrument of FIG. 1;

FIG. 3 is a left side view of the measuring instrument of FIG. 1;

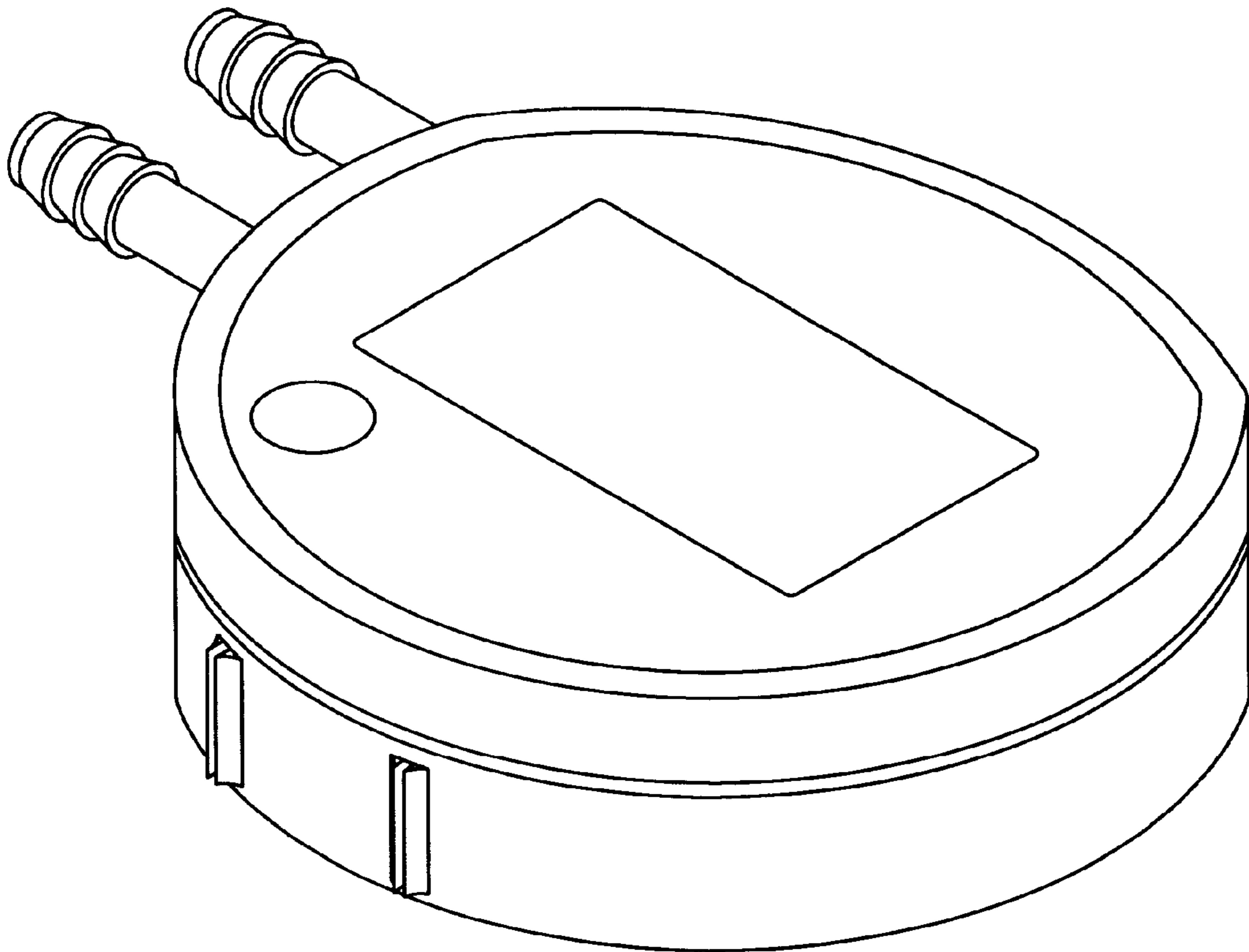
FIG. 4 is a rear plan view of the measuring instrument of FIG. 1;

FIG. 5 is a top view of the measuring instrument of FIG. 1;

FIG. 6 is a right side view of the measuring instrument of FIG. 1; and,

FIG. 7 is a bottom view of the measuring instrument of FIG. 1.

1 Claim, 3 Drawing Sheets



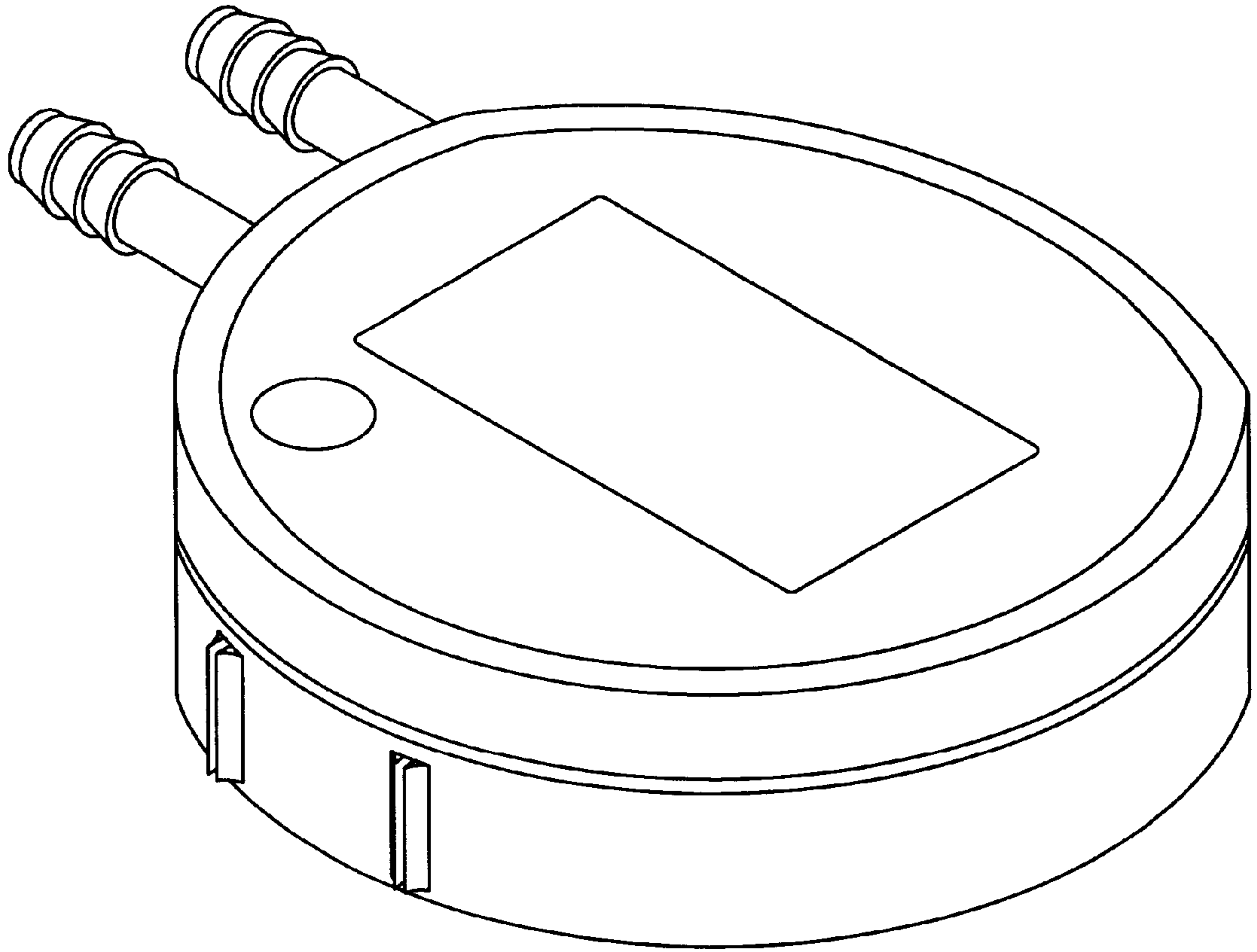


Fig. 1

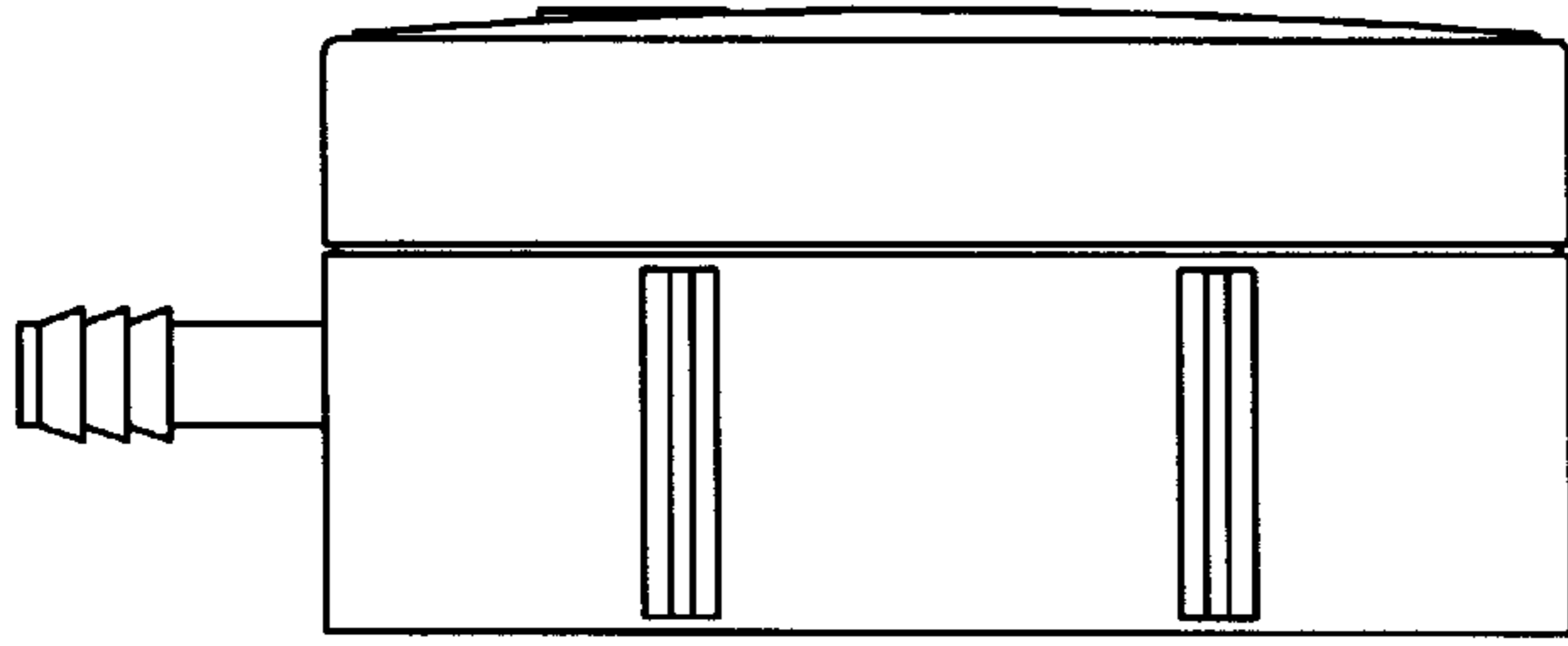


Fig. 2

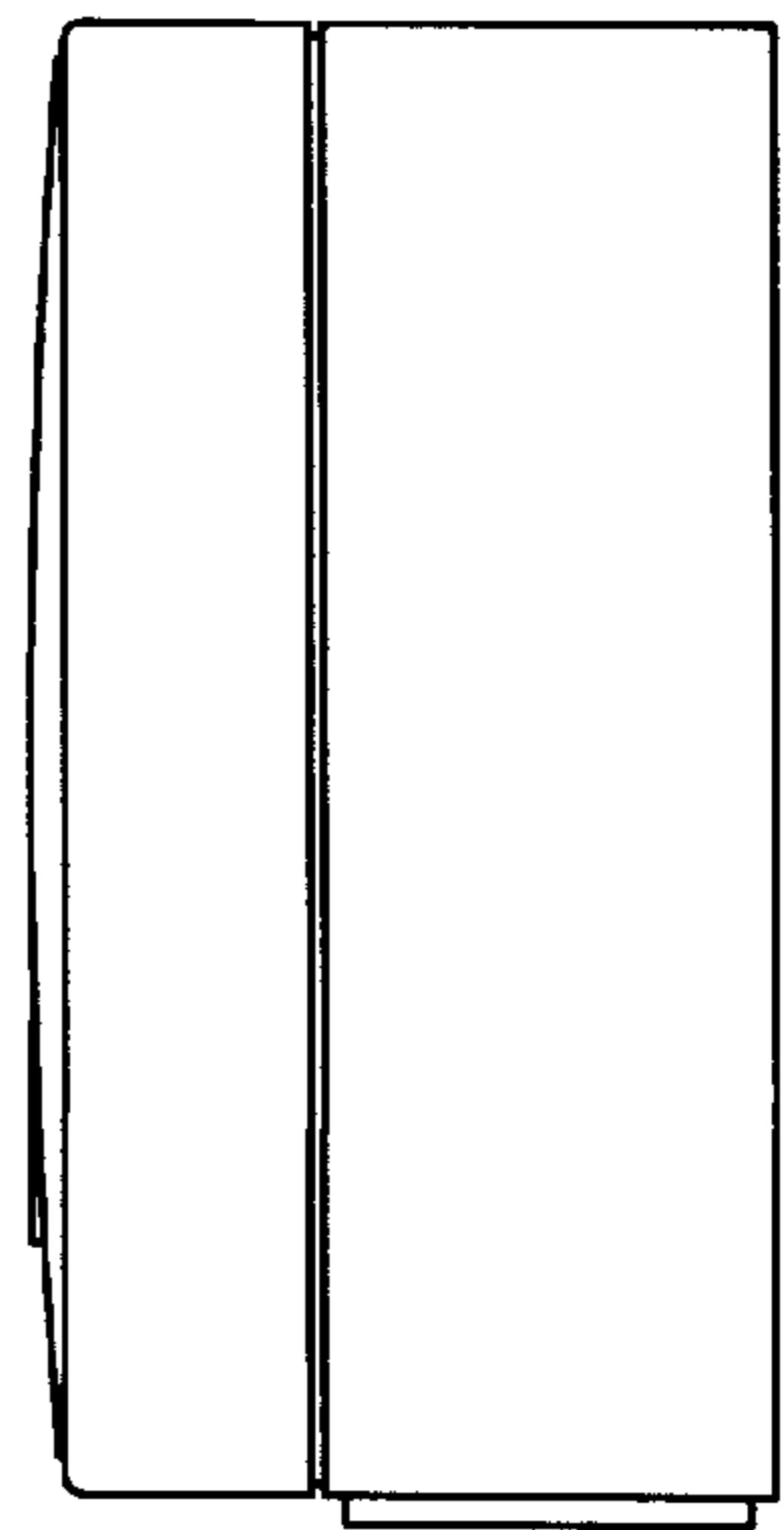


Fig. 3

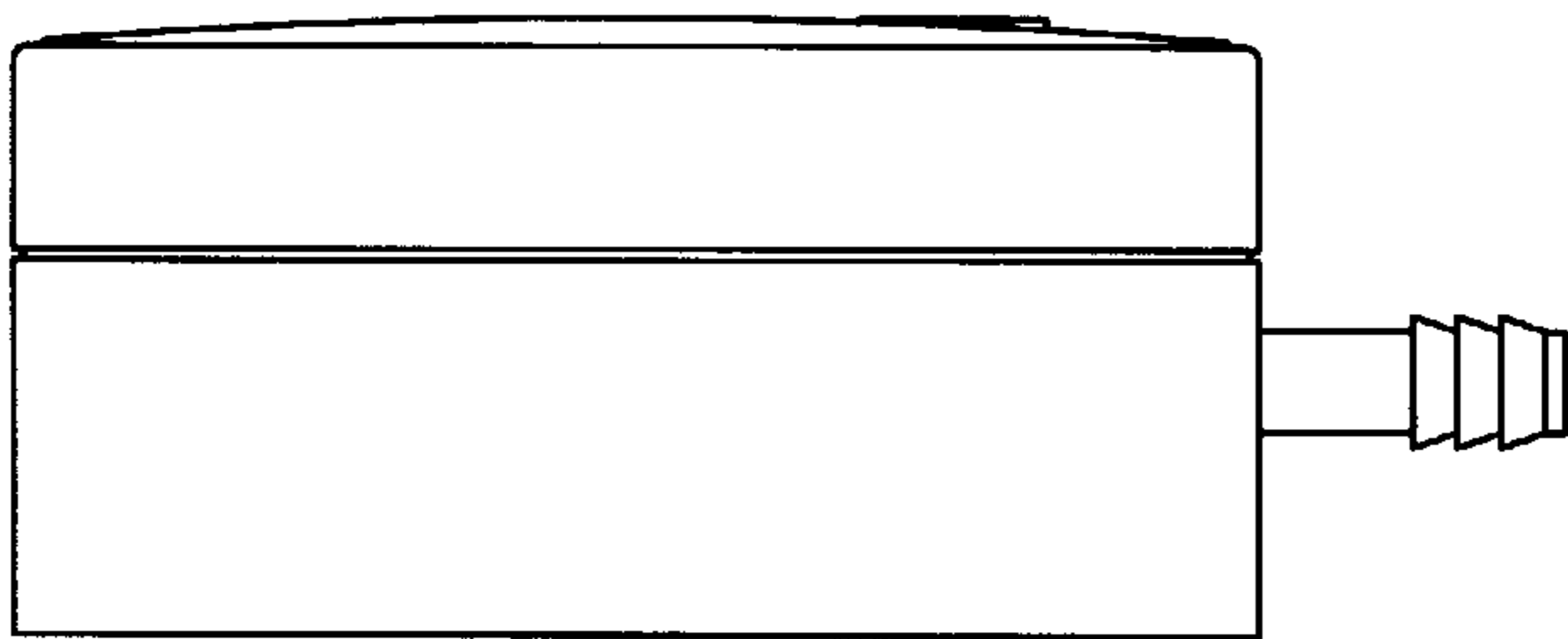


Fig. 4

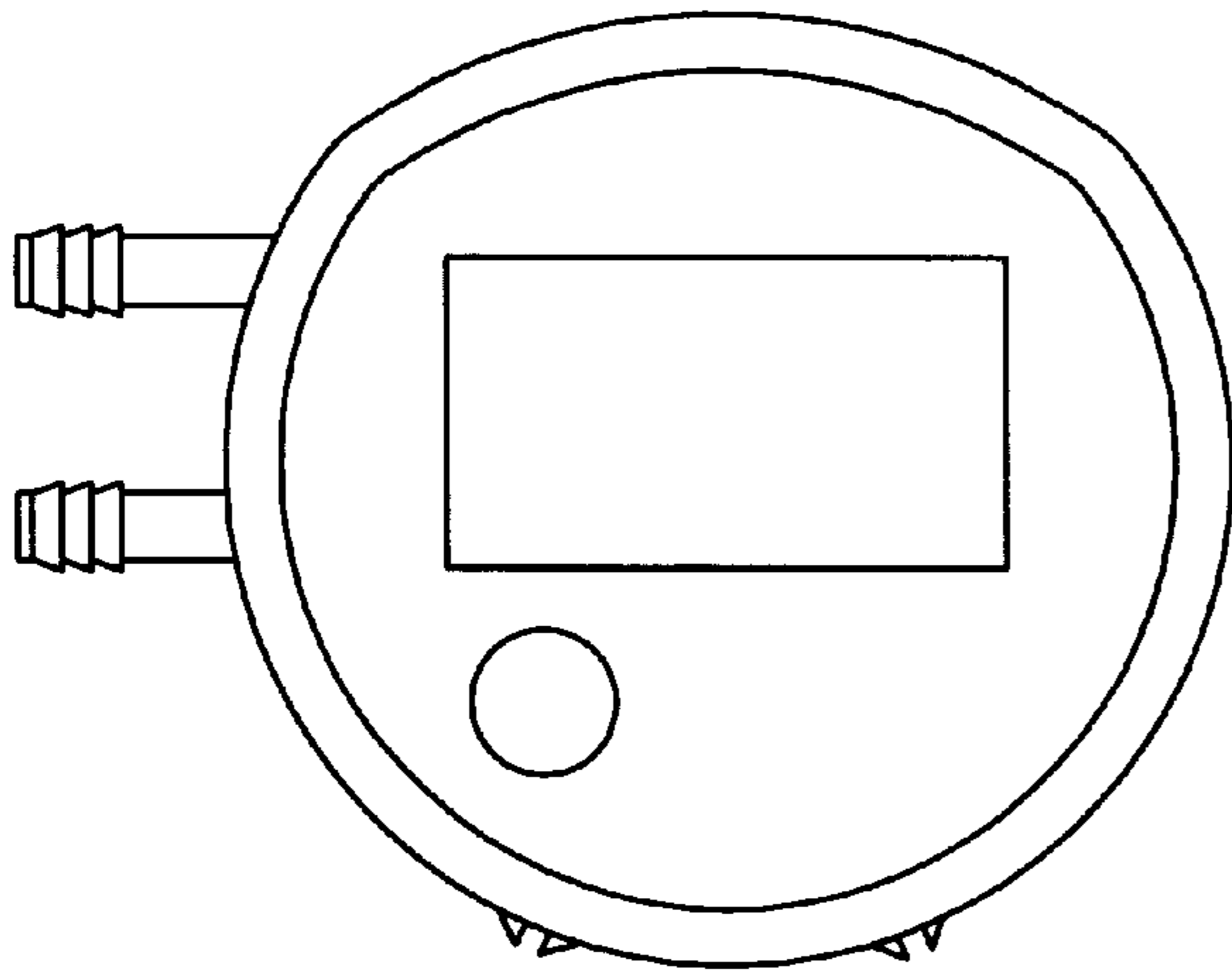


Fig. 5

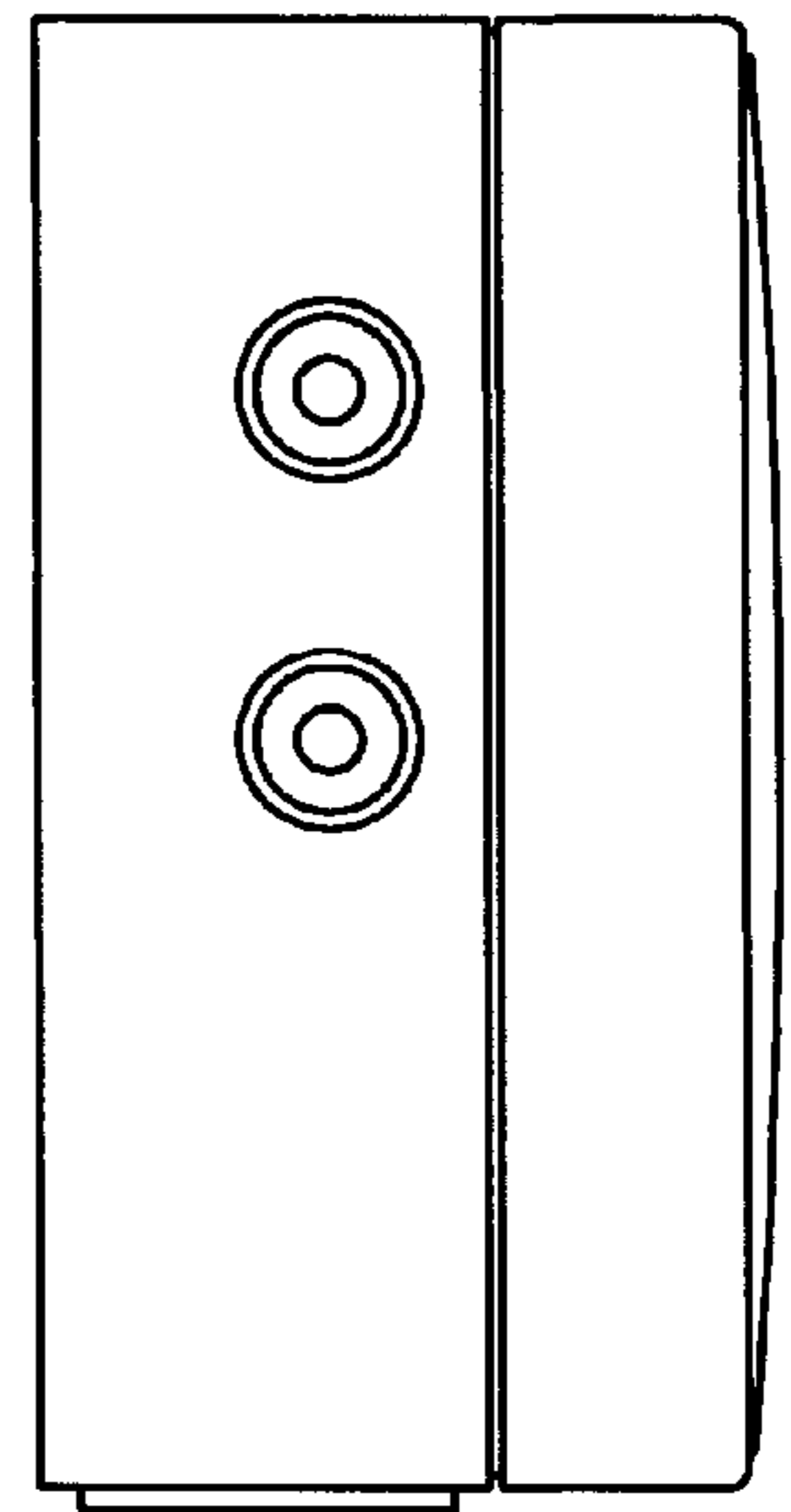


Fig. 6

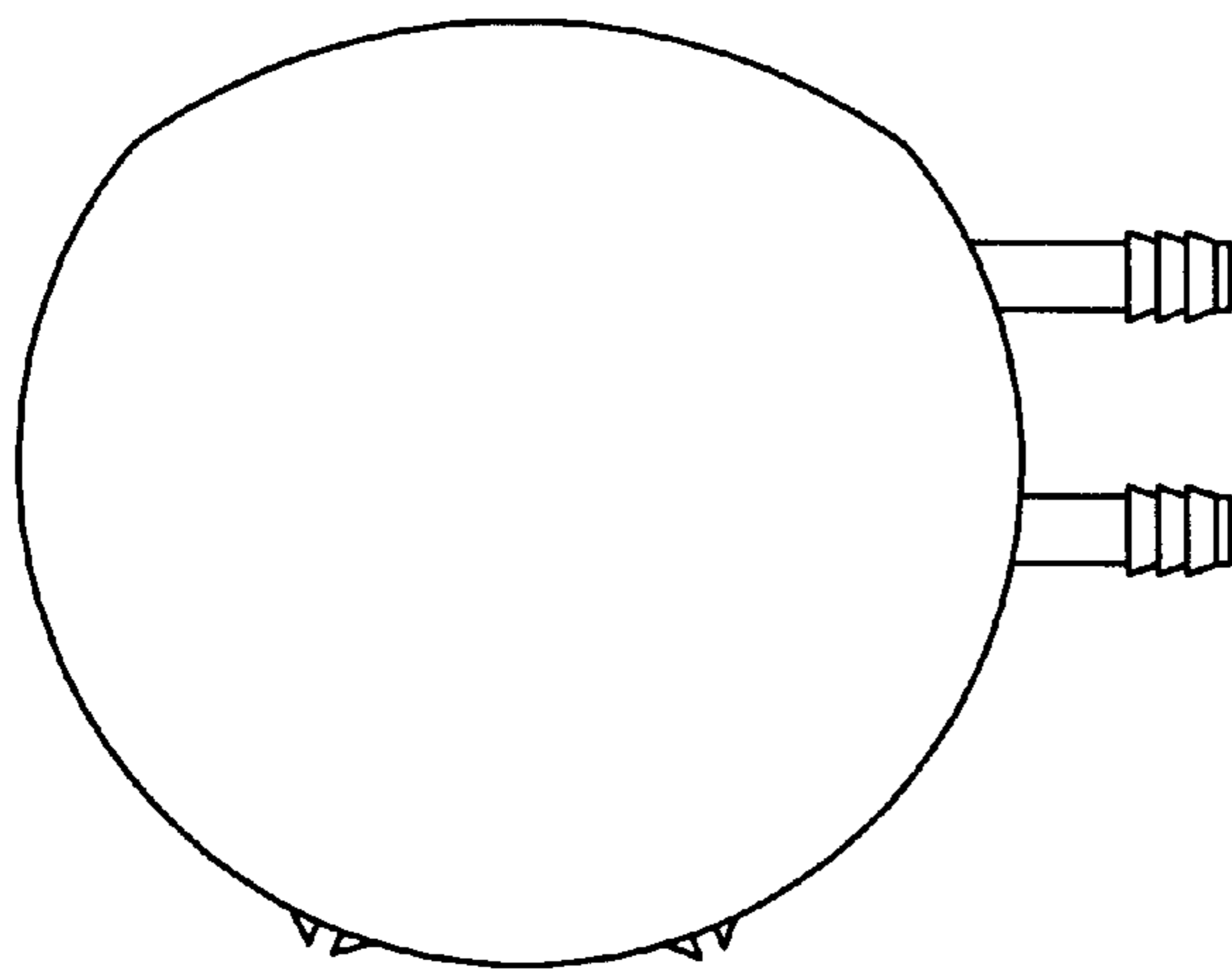


Fig. 7