



US00D421924S

United States Patent [19]

[11] **Patent Number: Des. 421,924**

Luo et al.

[45] **Date of Patent: ** Mar. 28, 2000**

[54] **THERMOCOUPLE MODULE**

*Primary Examiner—Antoine Duval Davis
Attorney, Agent, or Firm—Collard & Roe, P.C.*

[75] Inventors: **Ji Lie Luo; Deng Wei Shu**, both of Shenzhen, China

[57] **CLAIM**

[73] Assignee: **Precision Mastech Enterprises Company**, Kwun Tong, The Hong Kong Special Administrative Region of the People's Republic of China

The ornamental design for a thermocouple module, as shown and described.

[**] Term: **14 Years**

DESCRIPTION

[21] Appl. No.: **29/100,766**

FIG. 1 shows a front view of my design for a thermocouple module;

[22] Filed: **Feb. 18, 1999**

FIG. 2 shows a rear view thereof;

[51] **LOC (6) Cl. 10-04**

FIG. 3 shows a right side view thereof;

[52] **U.S. Cl. D10/49; D10/78**

FIG. 4 shows a left side view thereof;

[58] **Field of Search D10/49, 50, 52, D10/78; 324/537; 374/142, 170, 179, 181, 208; 136/221, 230**

FIG. 5 shows a bottom view thereof; and,

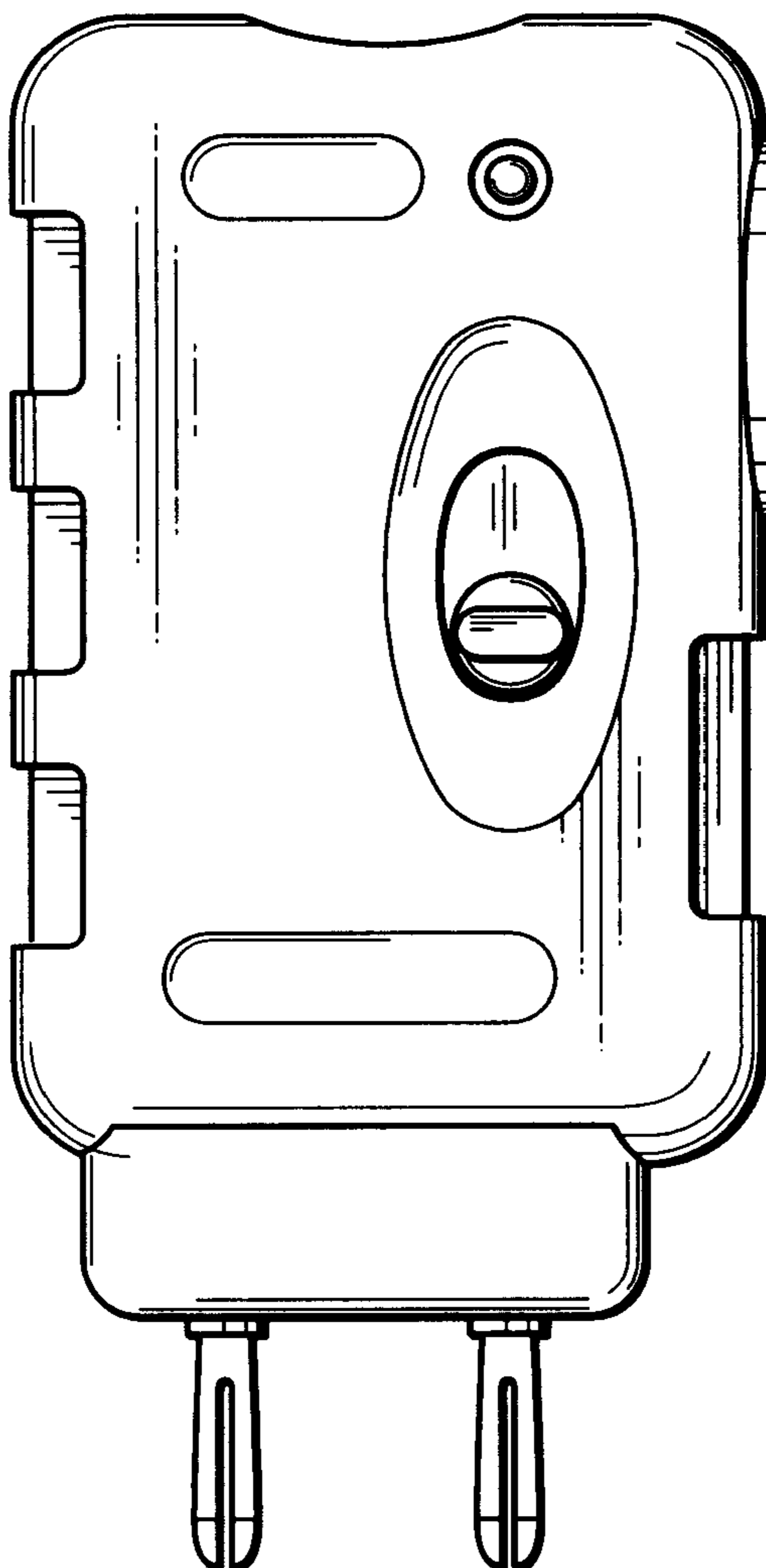
FIG. 6 shows a plan view thereof.

[56] **References Cited**

U.S. PATENT DOCUMENTS

4,527,005 7/1985 McKelvey et al. 136/221

1 Claim, 2 Drawing Sheets



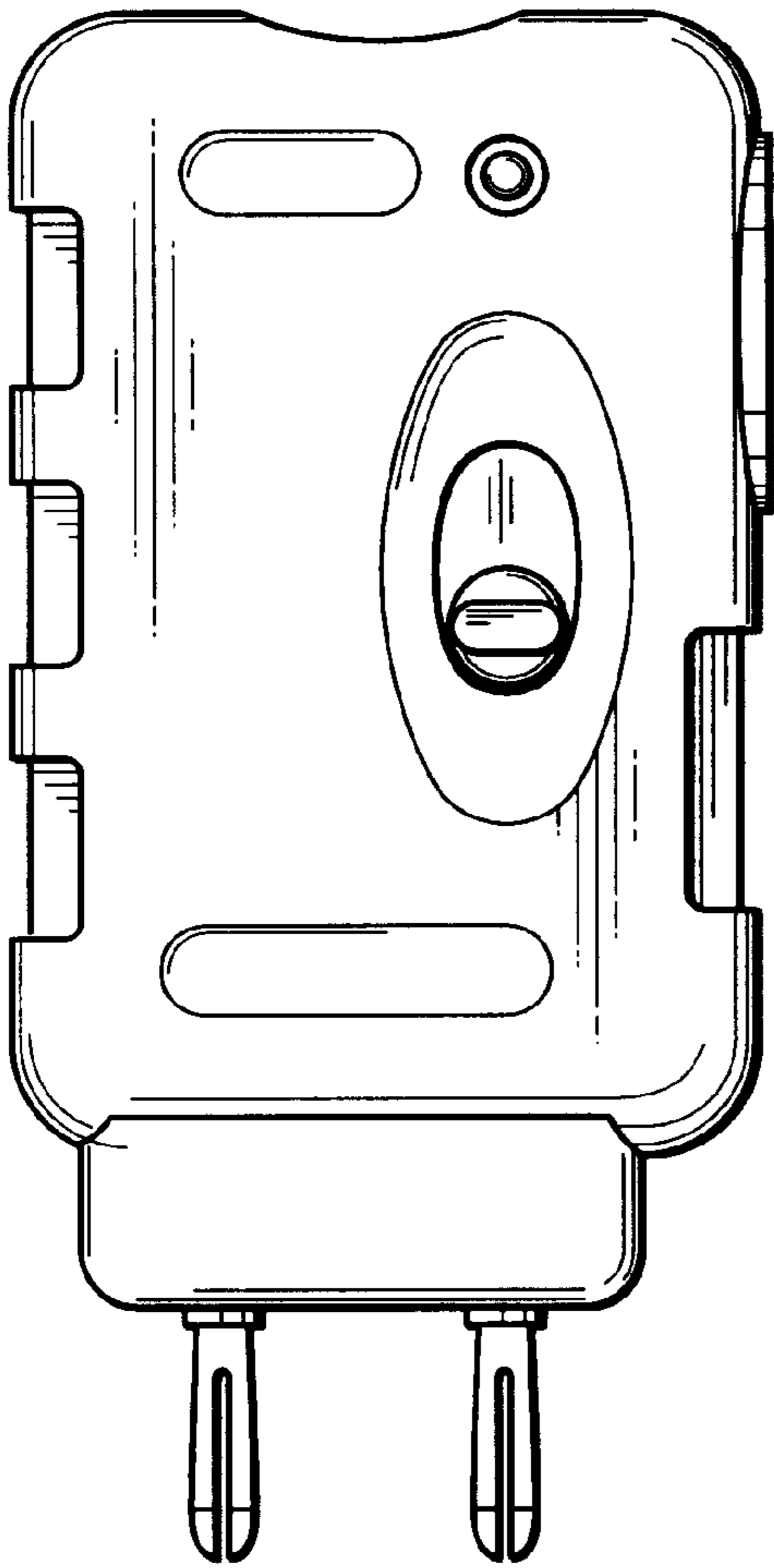


Fig. 1

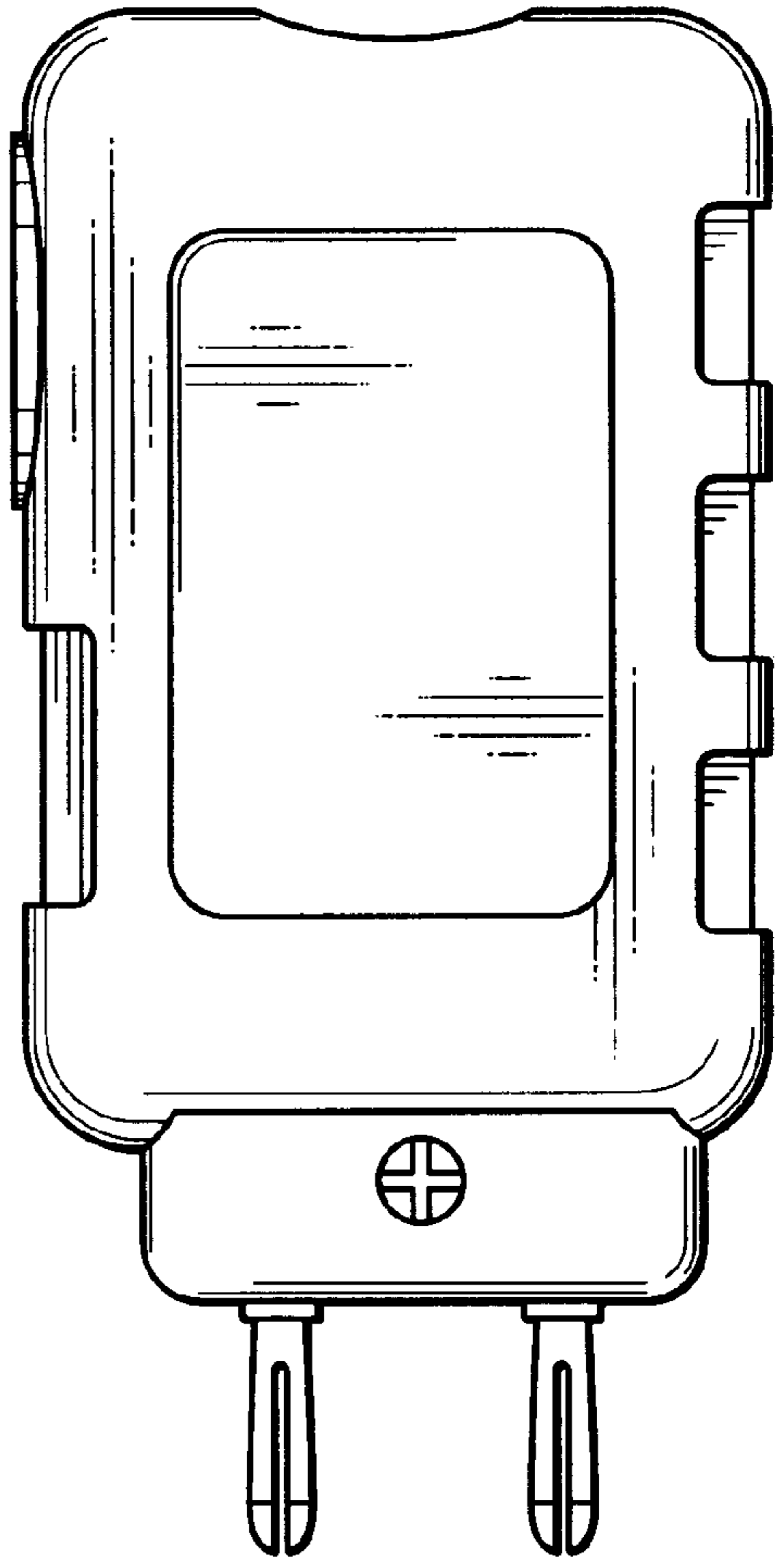


Fig. 2

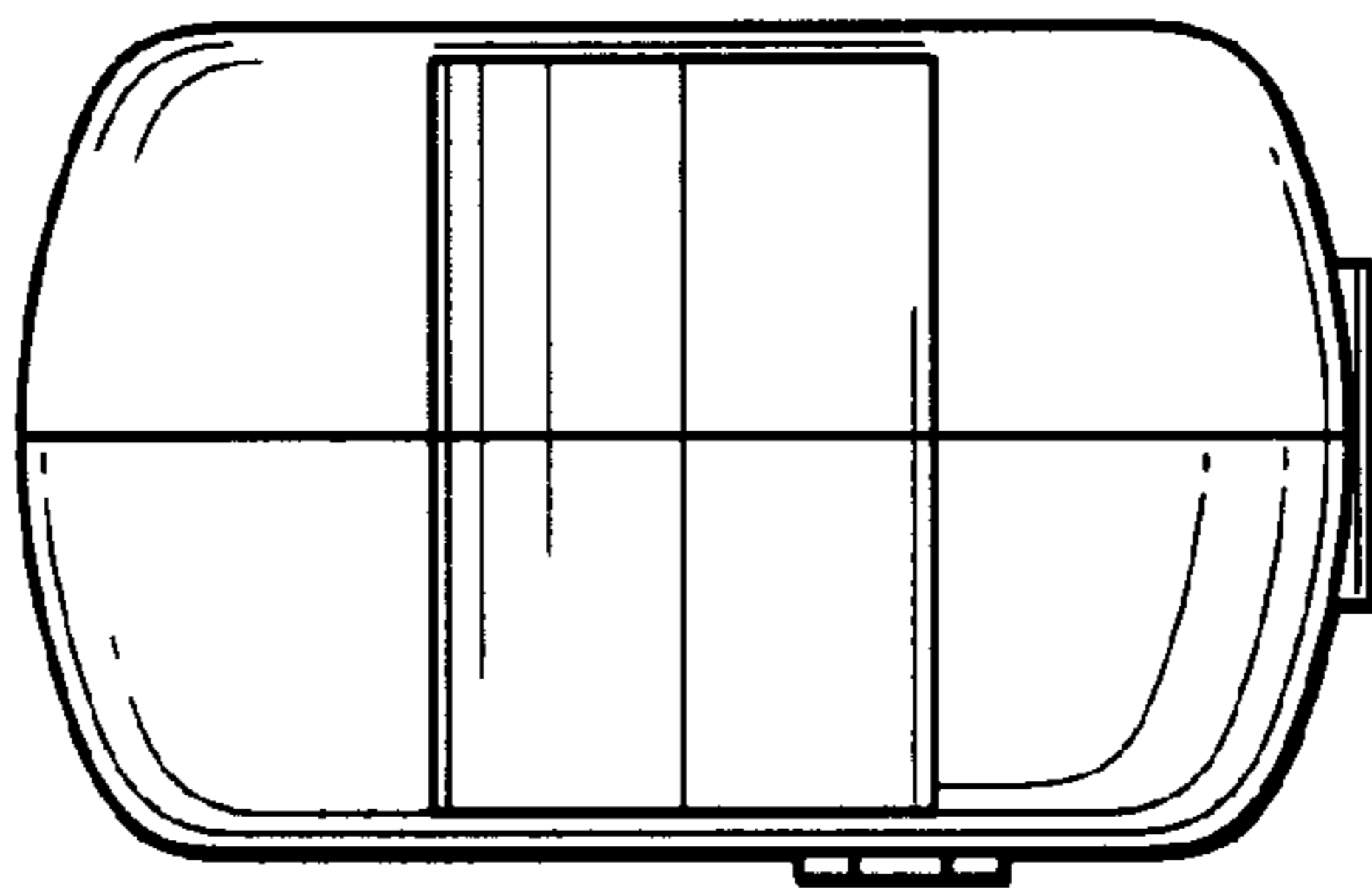


Fig. 5

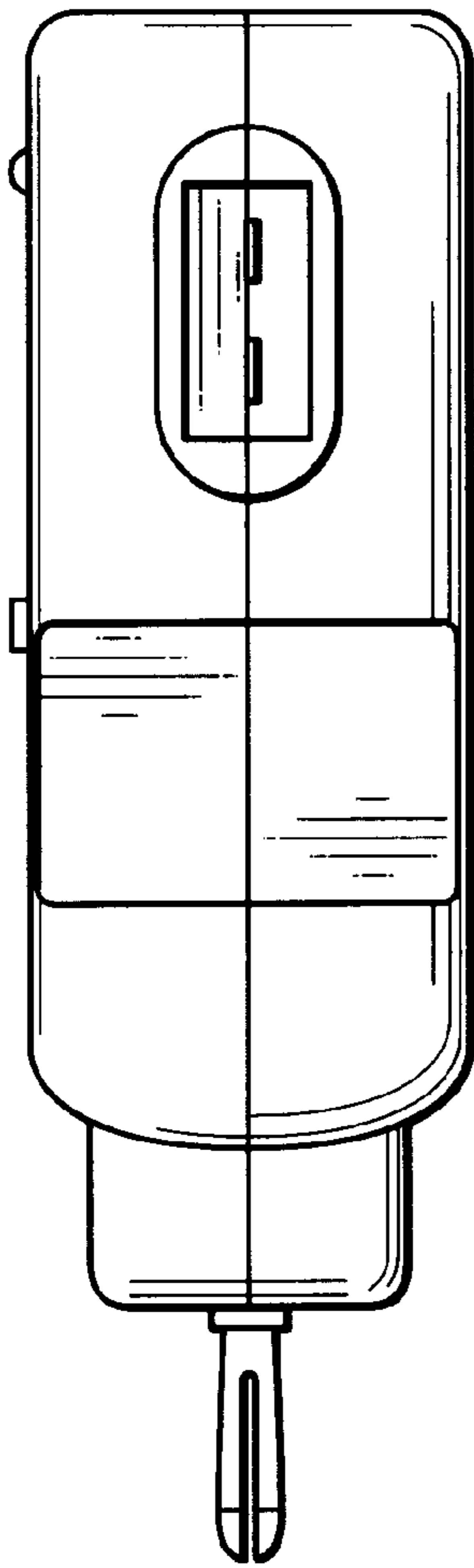


Fig. 3

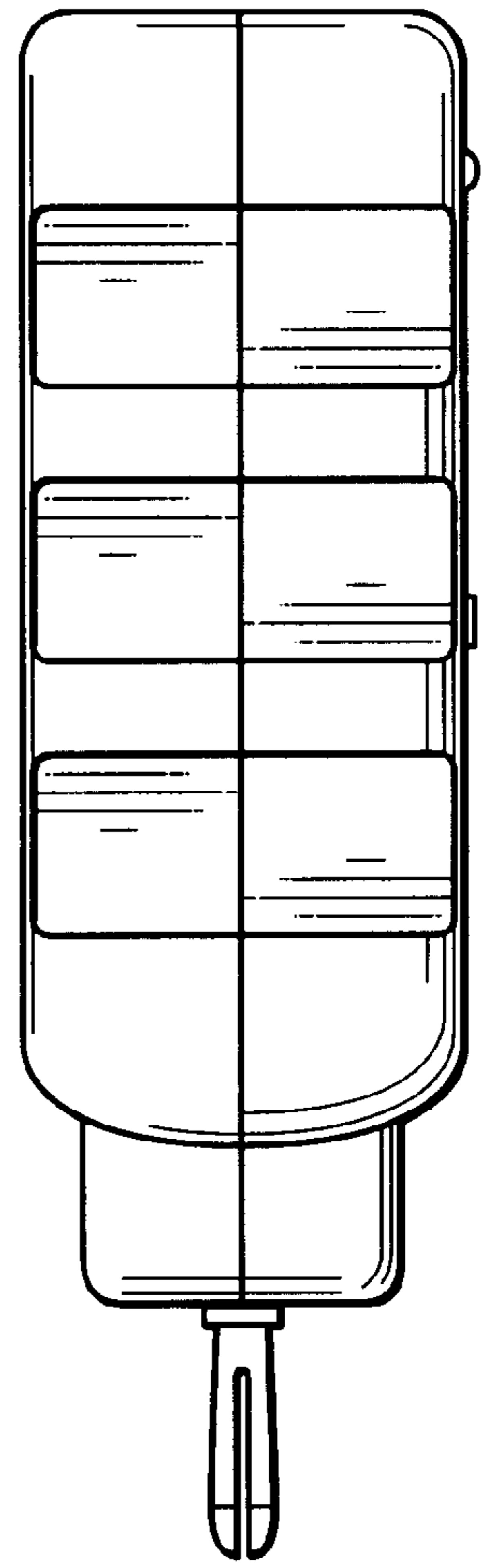


Fig. 4

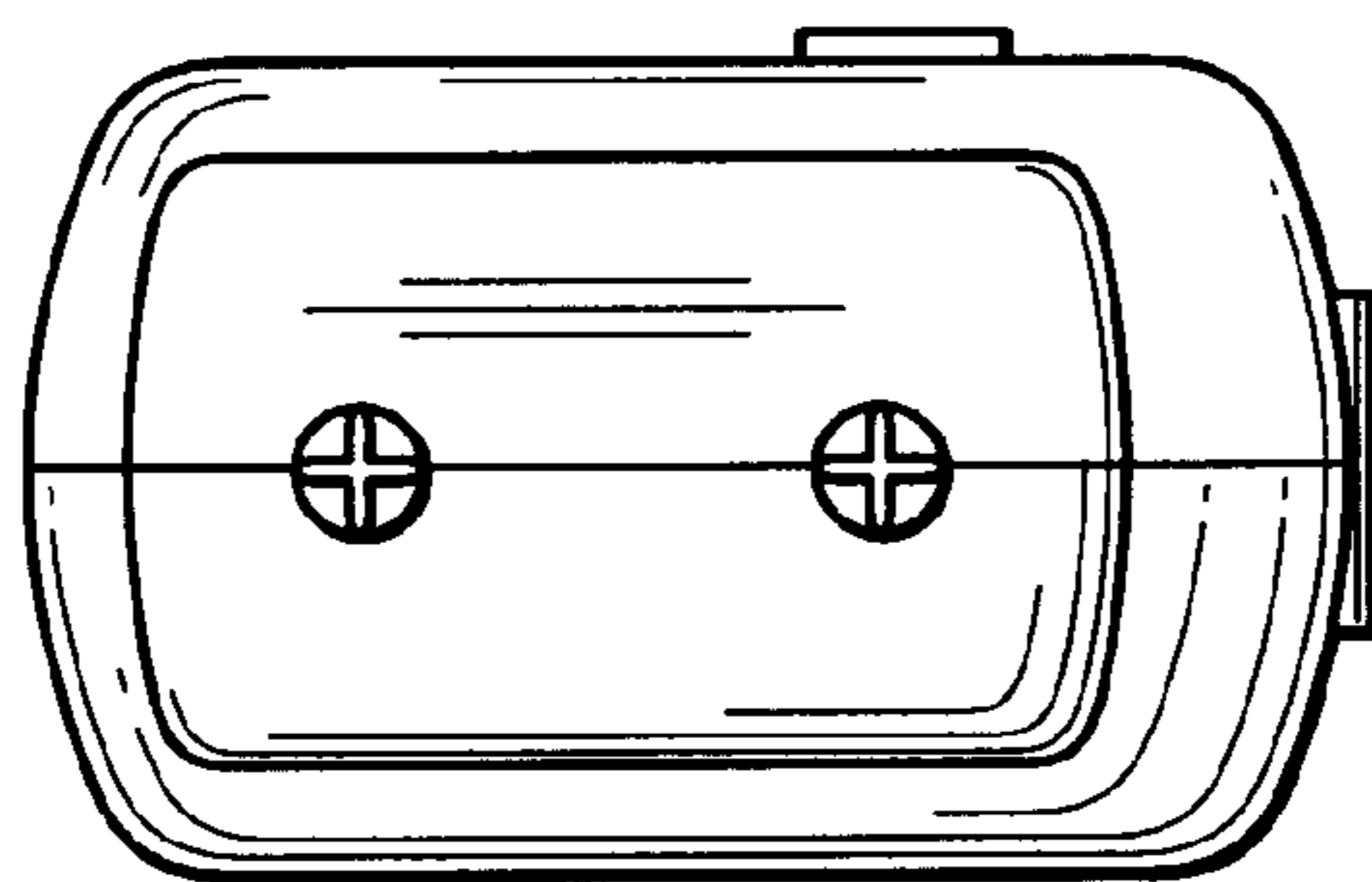


Fig. 6