



US00D421923S

United States Patent [19]

Musick et al.

[11] Patent Number: Des. 421,923

[45] Date of Patent: ** Mar. 28, 2000

[54] **COOKING TIMER**

[75] Inventors: **Hugh Musick**, Chicago; **Christopher Dorion**, Lockport, both of Ill.

[73] Assignee: **L&P Property Management Company**, Southgate, Calif.

[**] Term: **14 Years**

[21] Appl. No.: **29/099,393**

[22] Filed: **Jan. 20, 1999**

[51] **LOC (6) Cl.** **10-03**

[52] **U.S. Cl.** **D10/40**

[58] **Field of Search** D10/1-40, 122-132; 368/97-100, 107-121, 276-277, 285, 316, 317; 307/141, 141.4

[56] **References Cited**

U.S. PATENT DOCUMENTS

- D. 236,697 9/1975 Draghi D10/40
- D. 241,626 9/1976 Durco D10/15
- D. 399,139 10/1998 Carels D10/15

OTHER PUBLICATIONS

Hong Kong Enterprise—Oct. 1995—p. 204-205—Timers.
Primary Examiner—Nelson C. Holtje
Attorney, Agent, or Firm—Laff, Whitesel & Saret, Ltd.

[57] **CLAIM**

The ornamental design for a cooking timer, as shown and described.

DESCRIPTION

FIG. 1 is a first perspective view from above showing the upper and lower sections of the cooking timer aligned; FIG. 2 is a top plan view of the cooking timer; FIG. 3 is a front elevation view of the cooking timer; FIG. 4 is a bottom plan view of the cooking timer; FIG. 5 is a second perspective view from above showing the upper section rotated with respect to the lower section of the cooking timer; FIG. 6 is a third perspective view from below showing the upper section rotated with respect to the lower section of the cooking timer; and, FIG. 7 is a perspective view of the cooking timer showing the upper section removed away from the lower section.

1 Claim, 1 Drawing Sheet

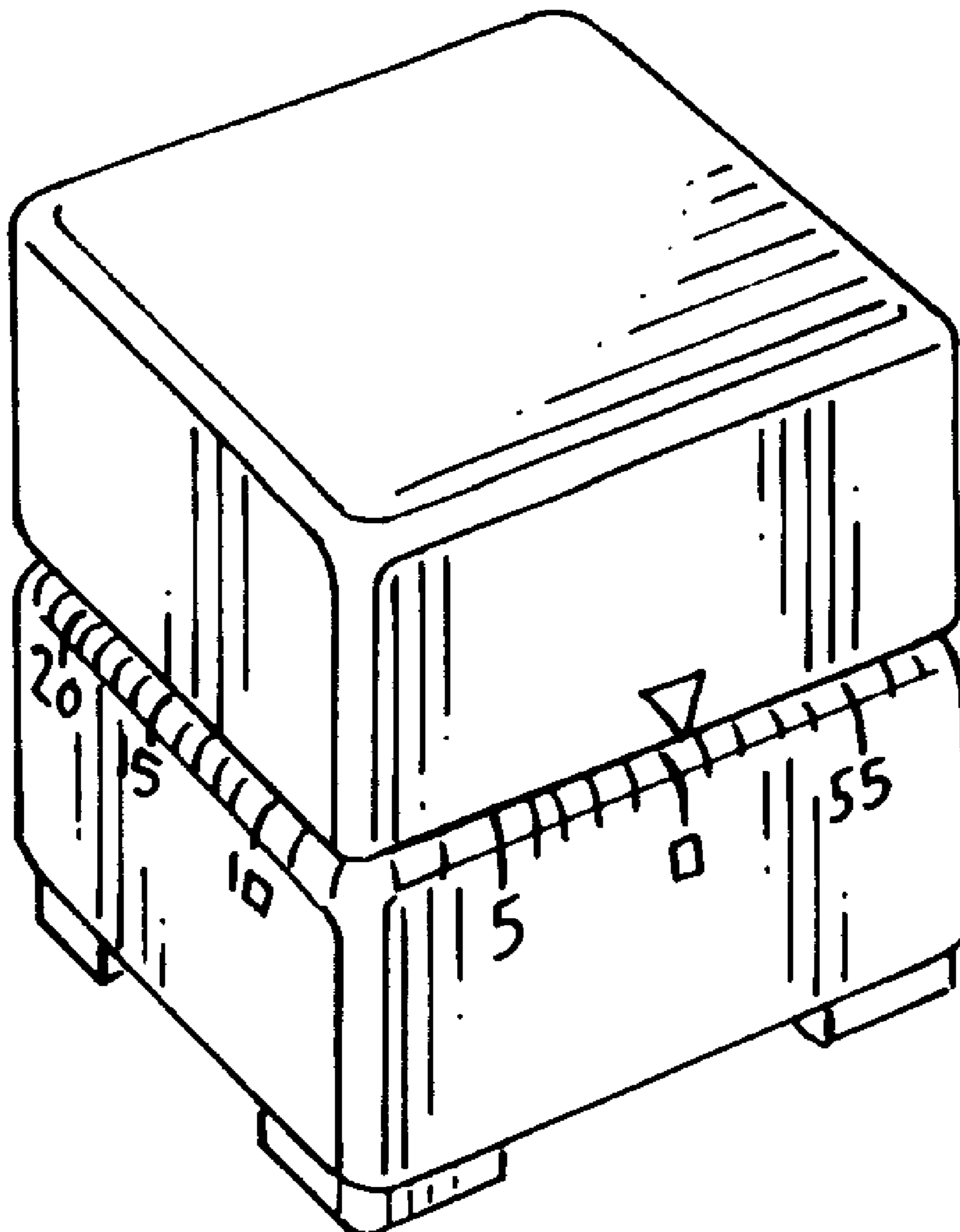


FIG. 1

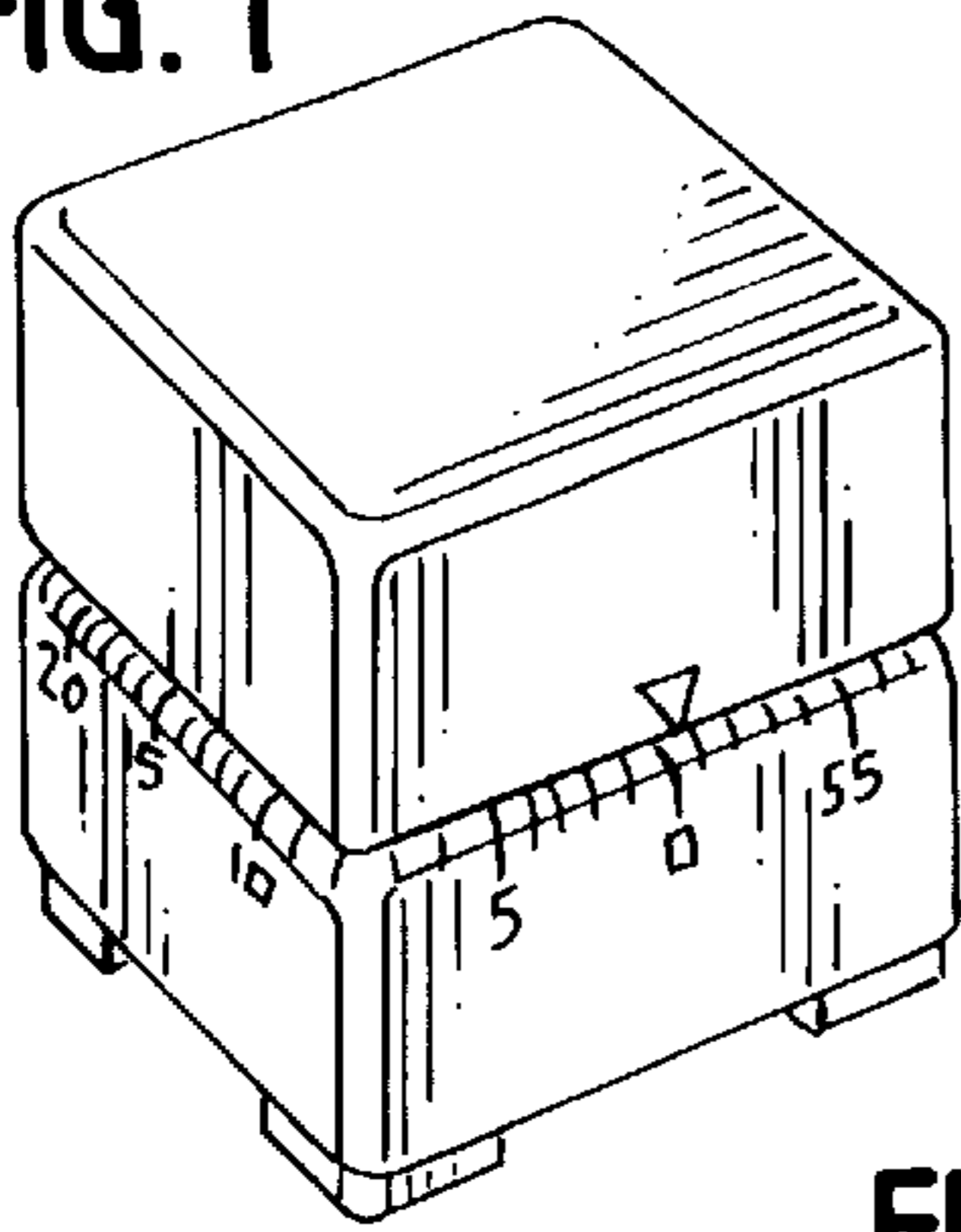


FIG. 2

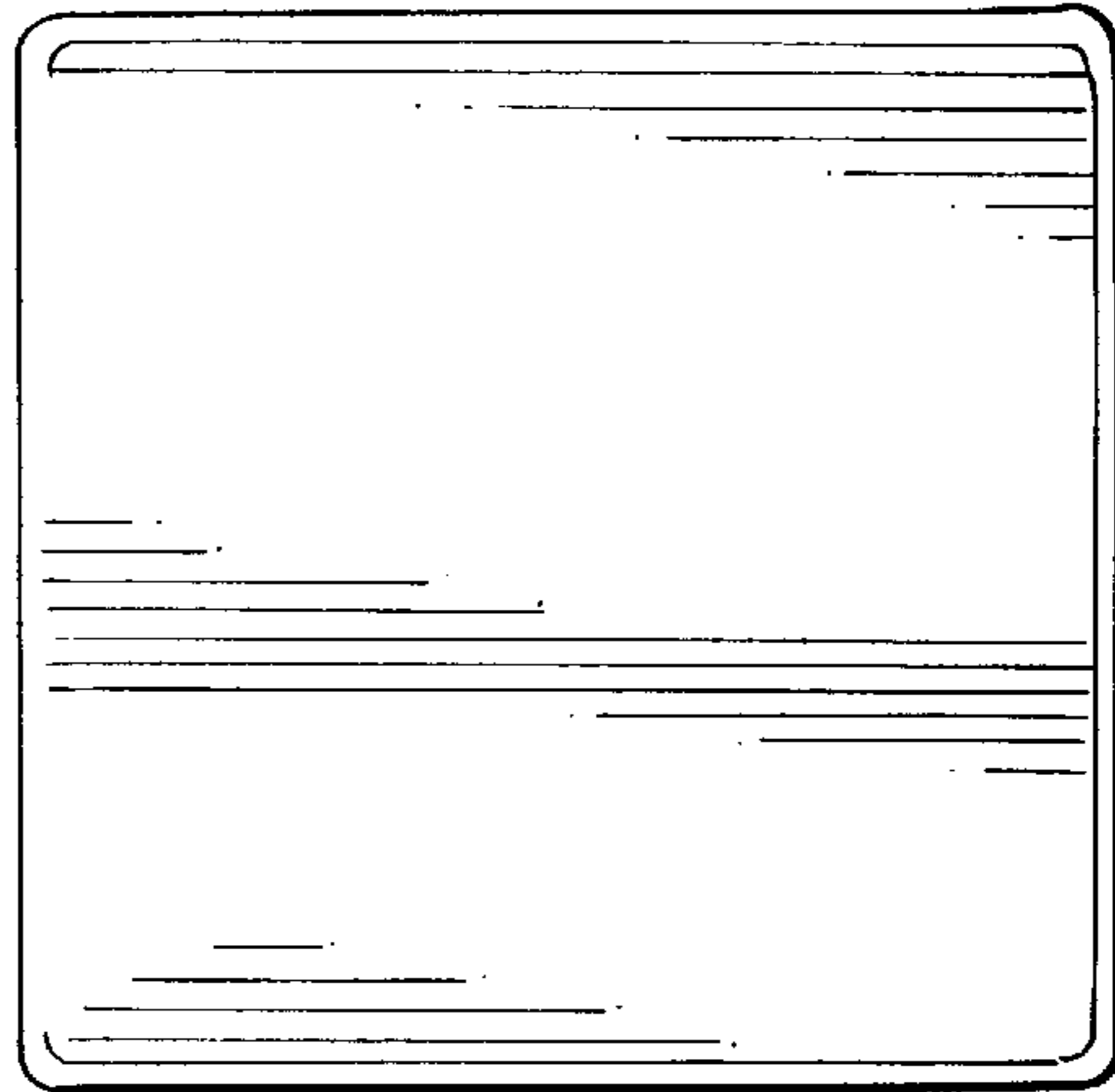


FIG. 5

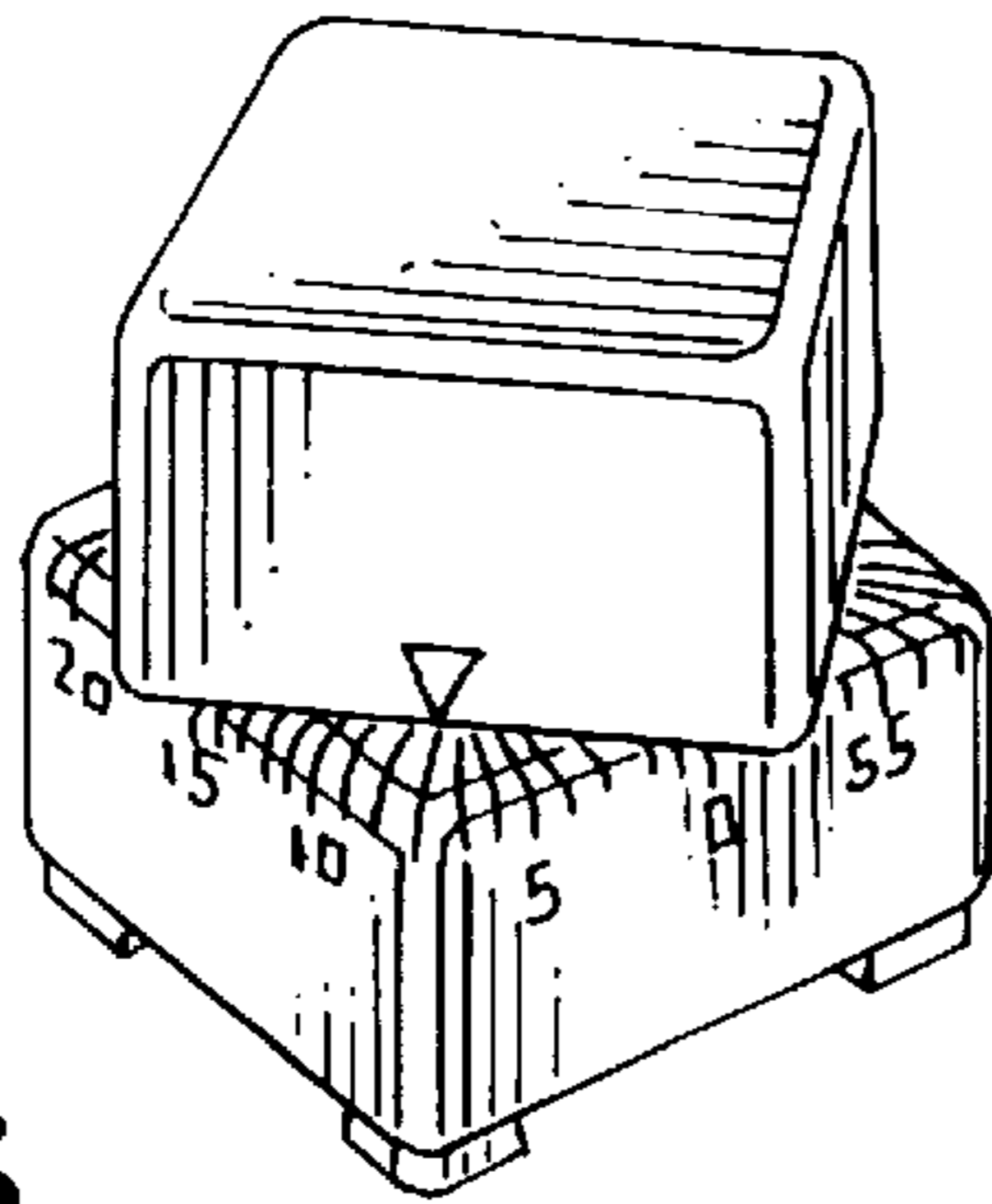


FIG. 3

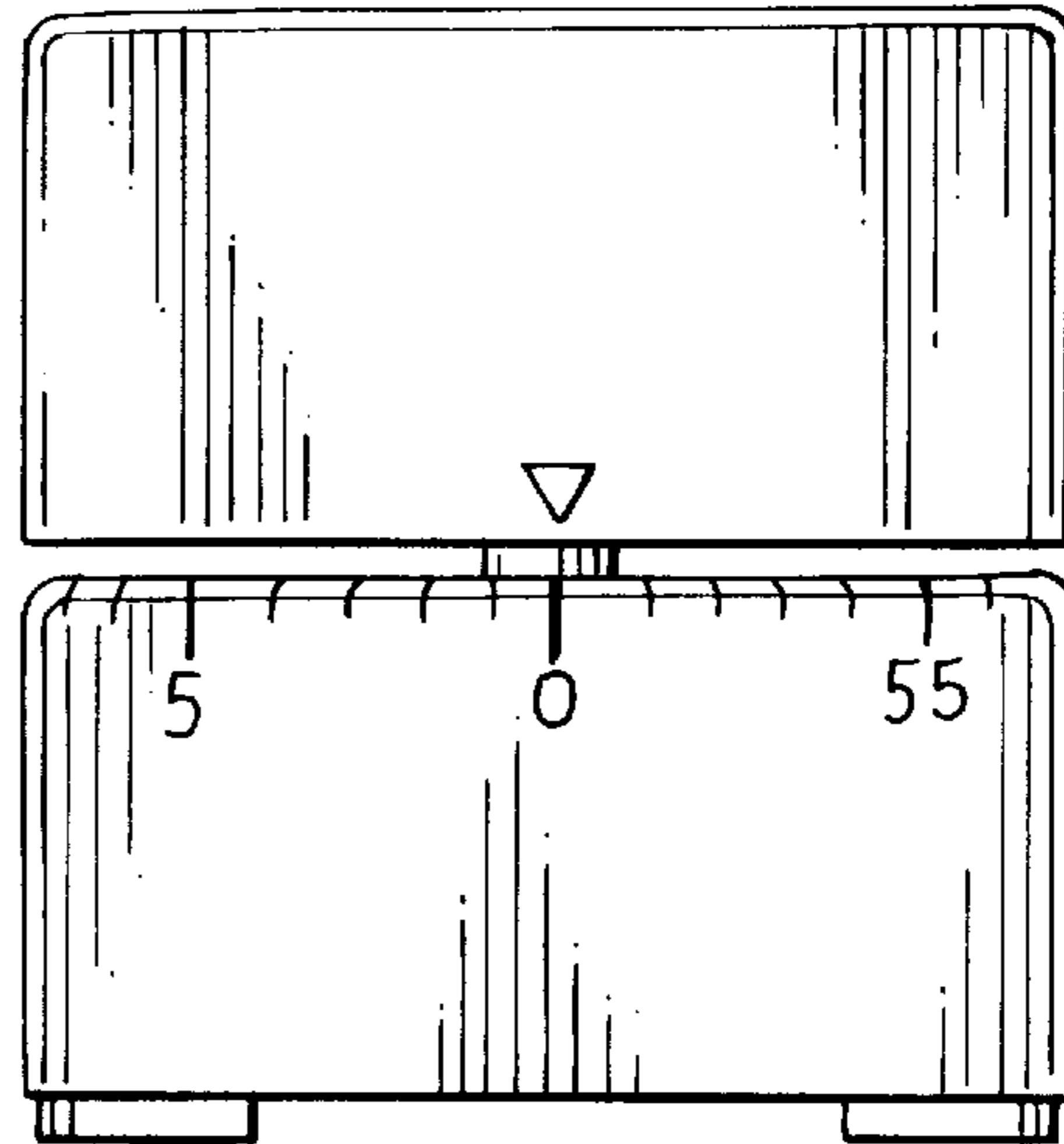


FIG. 6

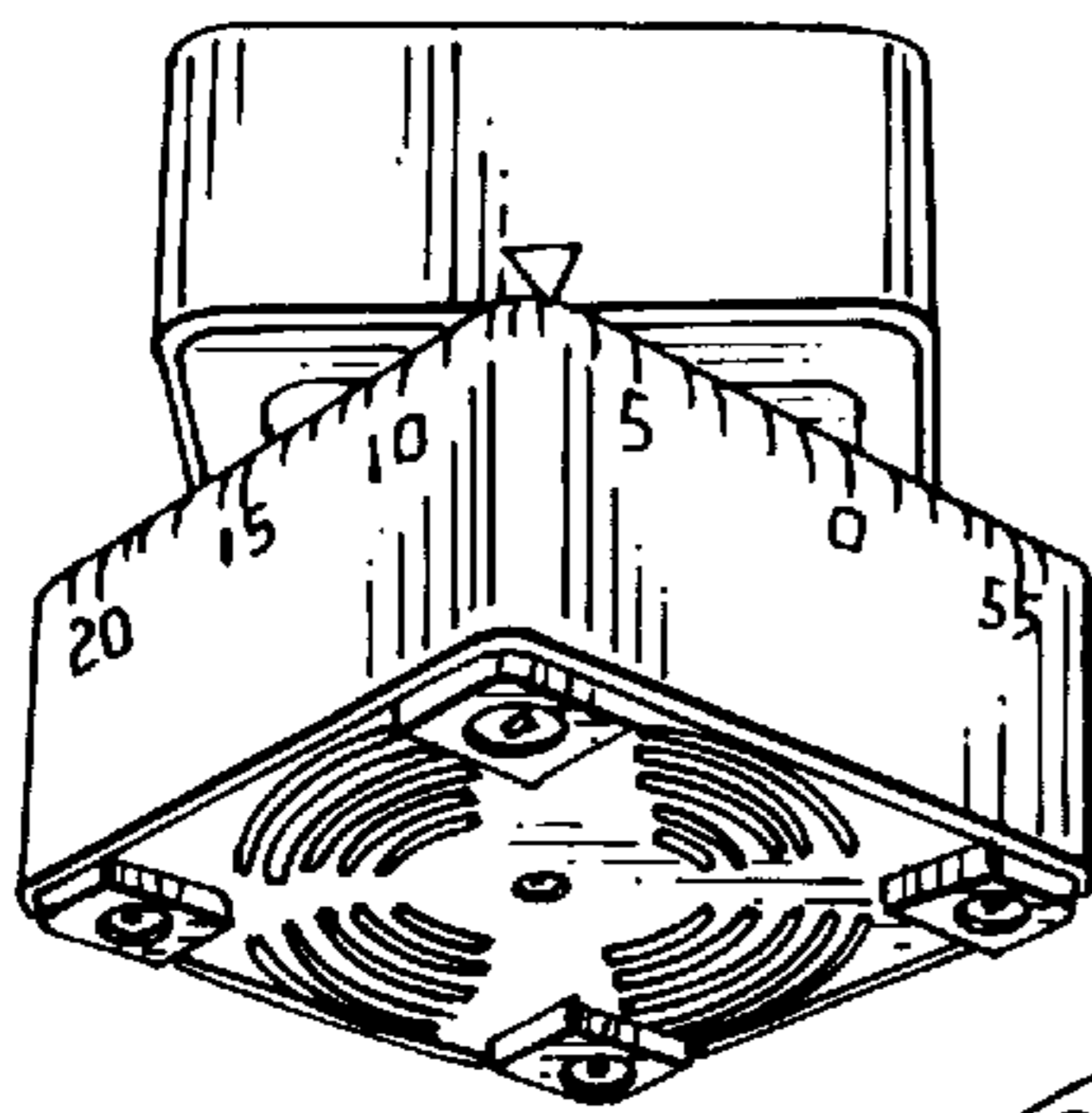


FIG. 4

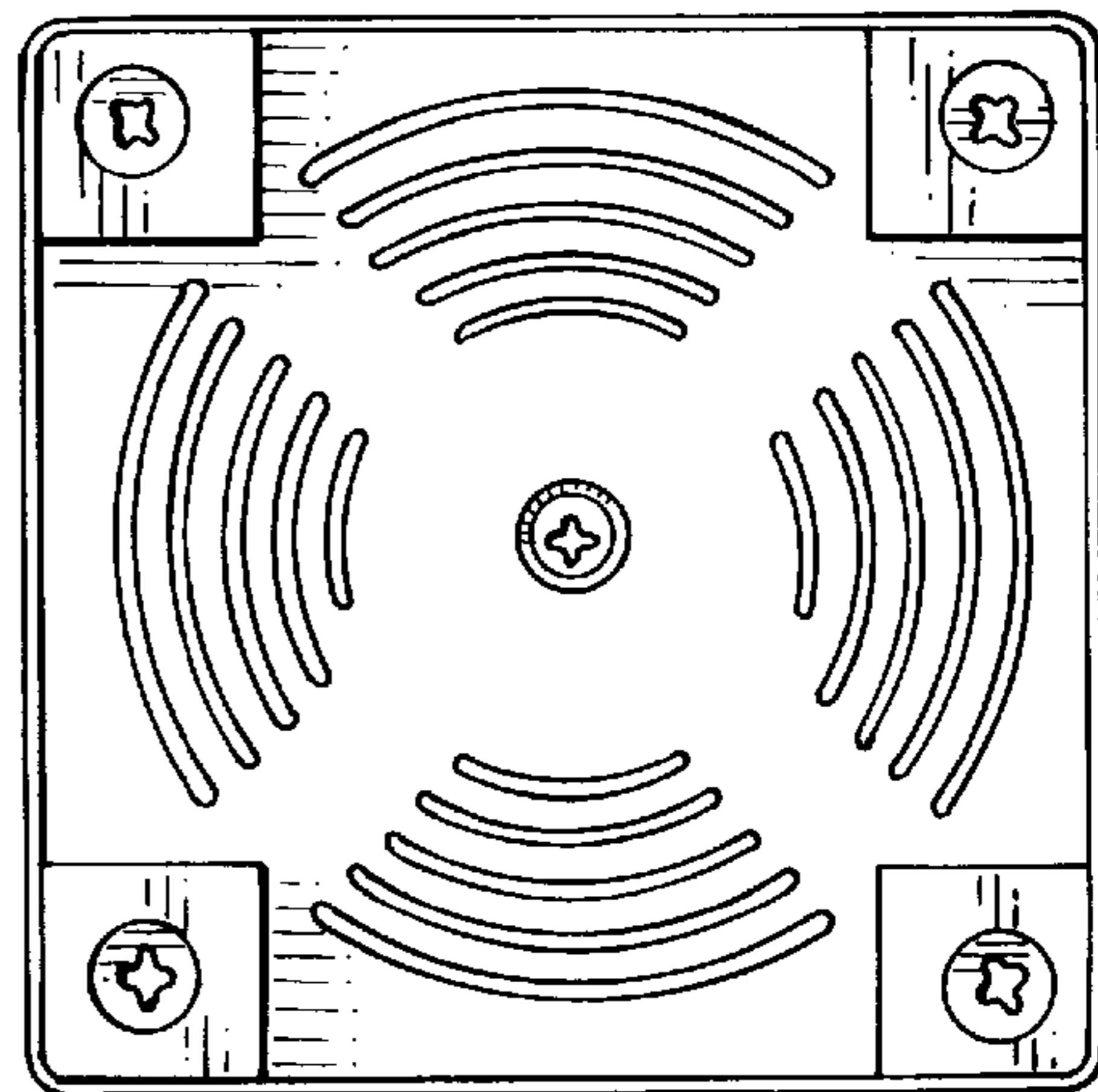


FIG. 7

