



US00D421914S

United States Patent [19]

Boucheron

[11] **Patent Number: Des. 421,914**

[45] **Date of Patent: ** Mar. 28, 2000**

[54] **COMBINED PERFUME BOTTLE AND CAP**

[75] Inventor: **Alain Boucheron**, Paris, France

[73] Assignee: **Boucheron Holding**, Paris, France

[**] Term: **14 Years**

[21] Appl. No.: **29/081,063**

[22] Filed: **Dec. 19, 1997**

[30] **Foreign Application Priority Data**

Jun. 19, 1997 [FR] France 97 3552

[51] **LOC (6) Cl.** **09-01**

[52] **U.S. Cl.** **D9/569; D9/544; D9/571**

[58] **Field of Search** D9/544, 545, 571,
D9/563, 566, 556, 569, 300; 215/382, 383,
400

[56] **References Cited**

U.S. PATENT DOCUMENTS

D. 96,107 7/1935 Funkey D9/569

D. 180,828 8/1957 Funkey D9/571

D. 189,697	1/1961	Du Pree	D9/569
D. 343,125	1/1994	Boucheron	D9/556
D. 379,766	6/1997	Schneider et al.	D9/573
D. 382,804	8/1997	Boucheron	D9/544
2,248,011	7/1941	Neuschaefer	D9/571

Primary Examiner—Lucy Lieberman
Attorney, Agent, or Firm—Young & Thompson

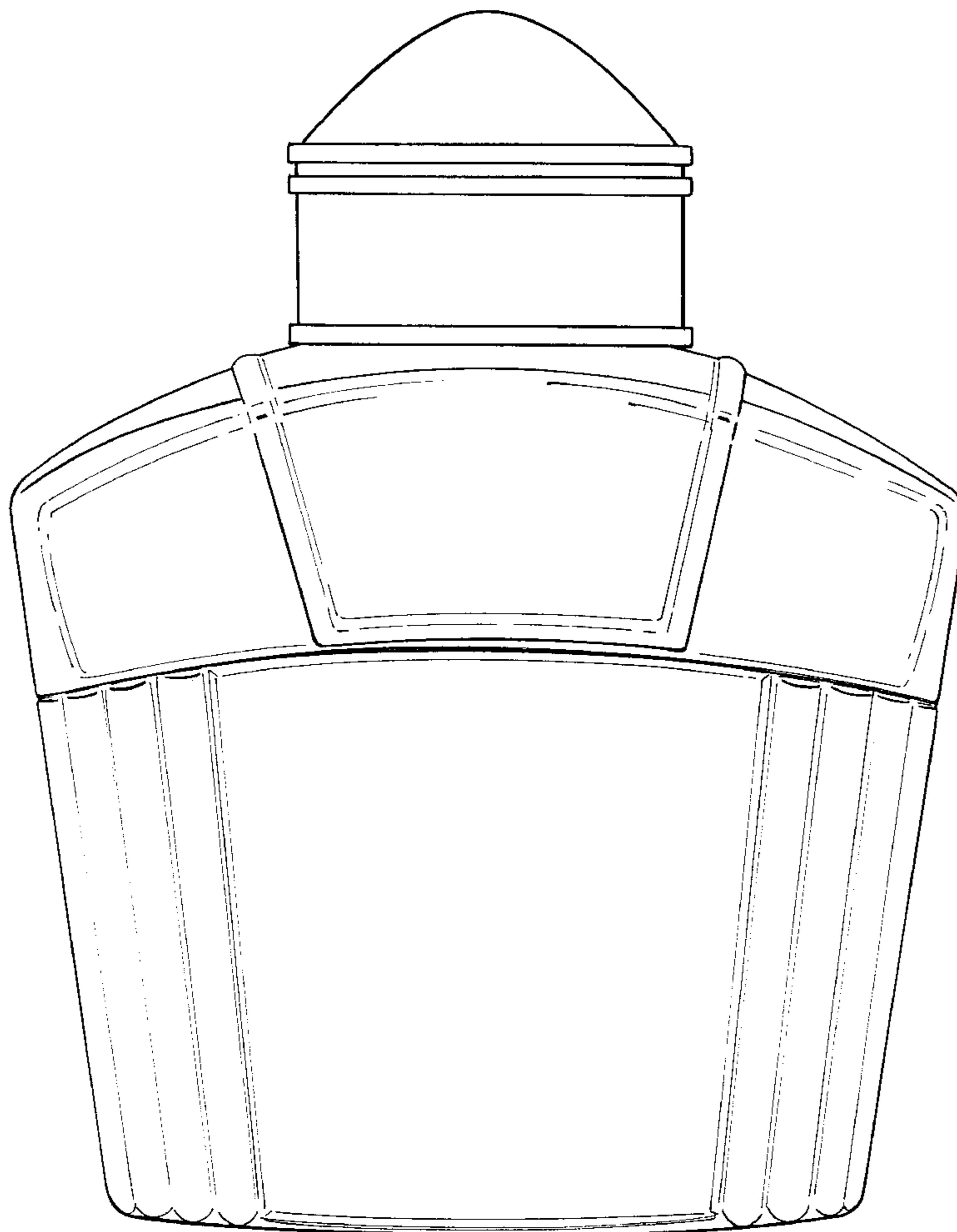
[57] **CLAIM**

The ornamental design for a combined perfume bottle and cap, as shown and described.

DESCRIPTION

FIG. 1 is a top, front and side perspective view of a combined perfume bottle and cap showing my new design; FIG. 2 is a front perspective view thereof, the rear perspective view thereof being identical thereto; FIG. 3 is a side perspective view thereof taken from the right of FIG. 2, the side perspective view from the left of FIG. 2 being identical thereto; FIG. 4 is a top view thereof; and, FIG. 5 is a bottom view thereof.

1 Claim, 5 Drawing Sheets



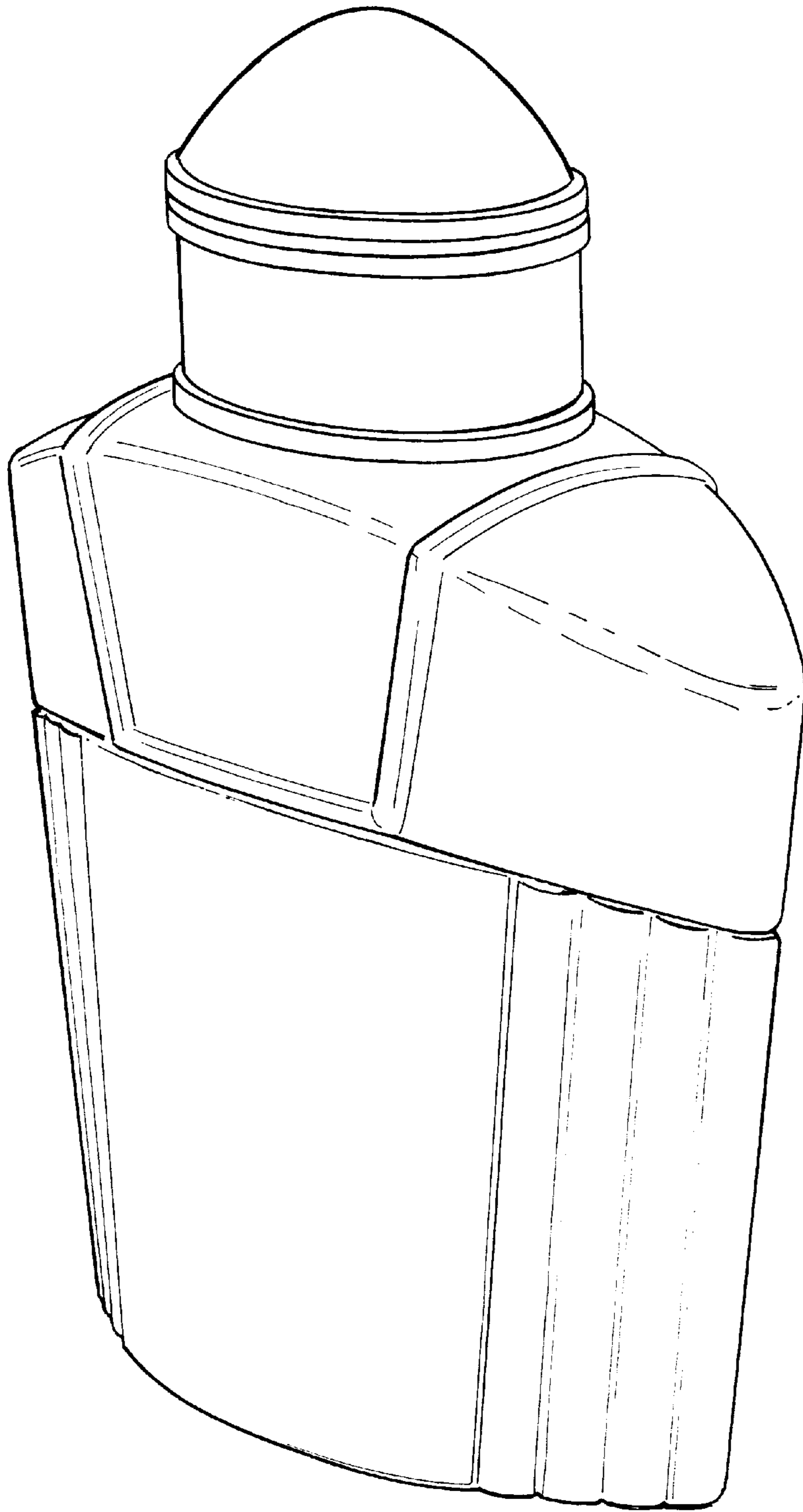


Fig. 1

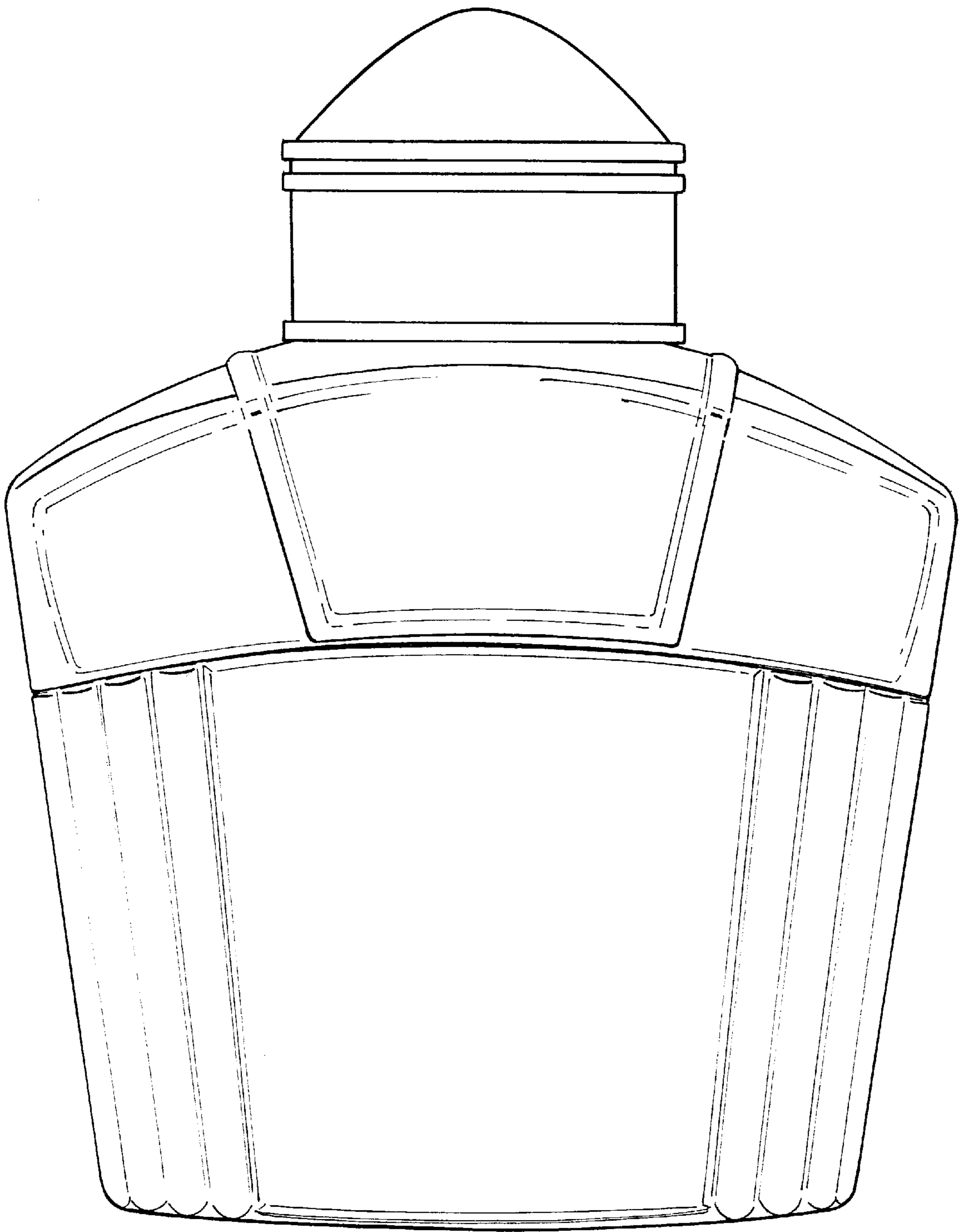


Fig. 2

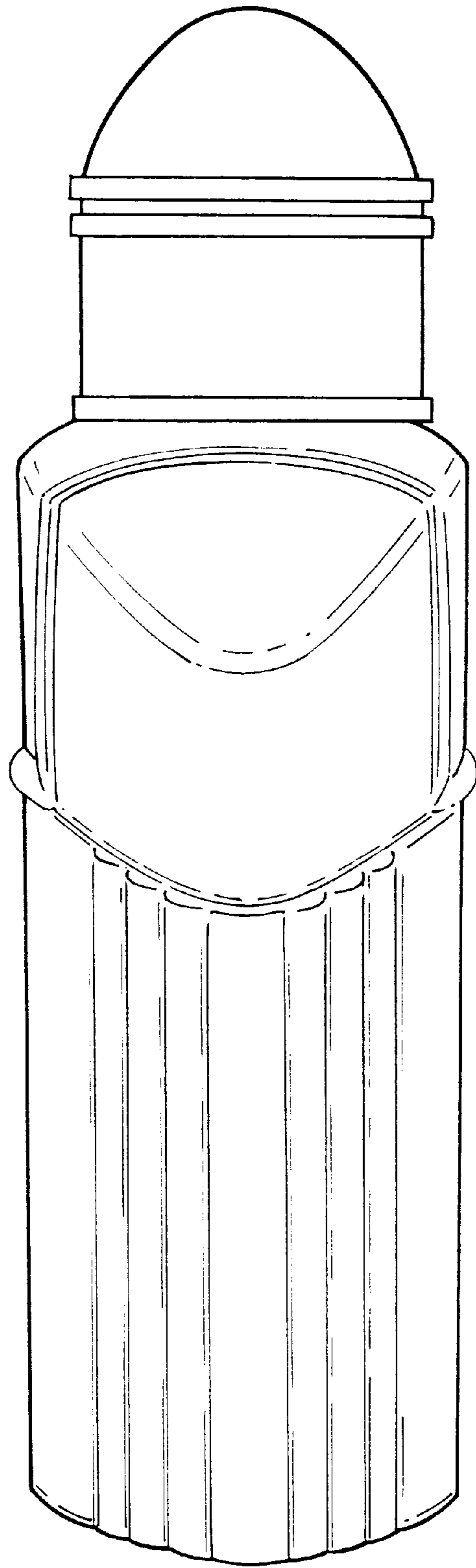


Fig. 3

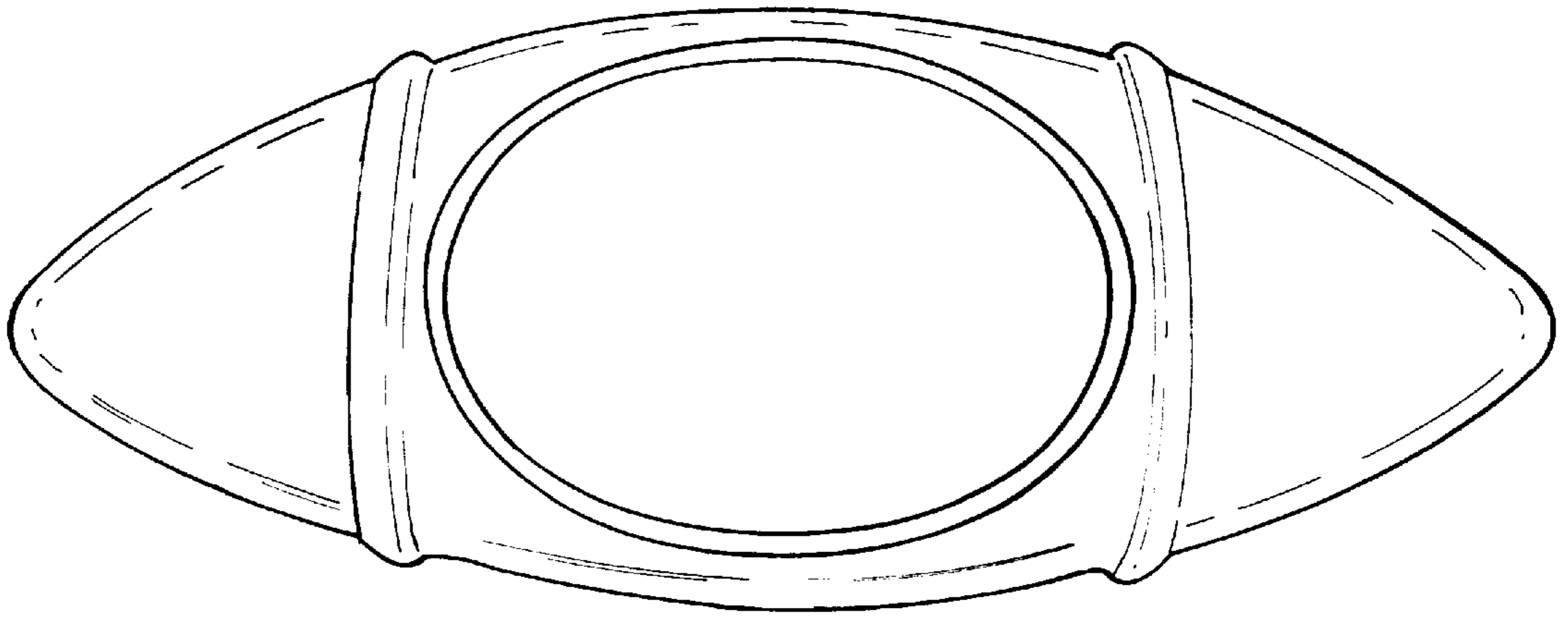


Fig. 4

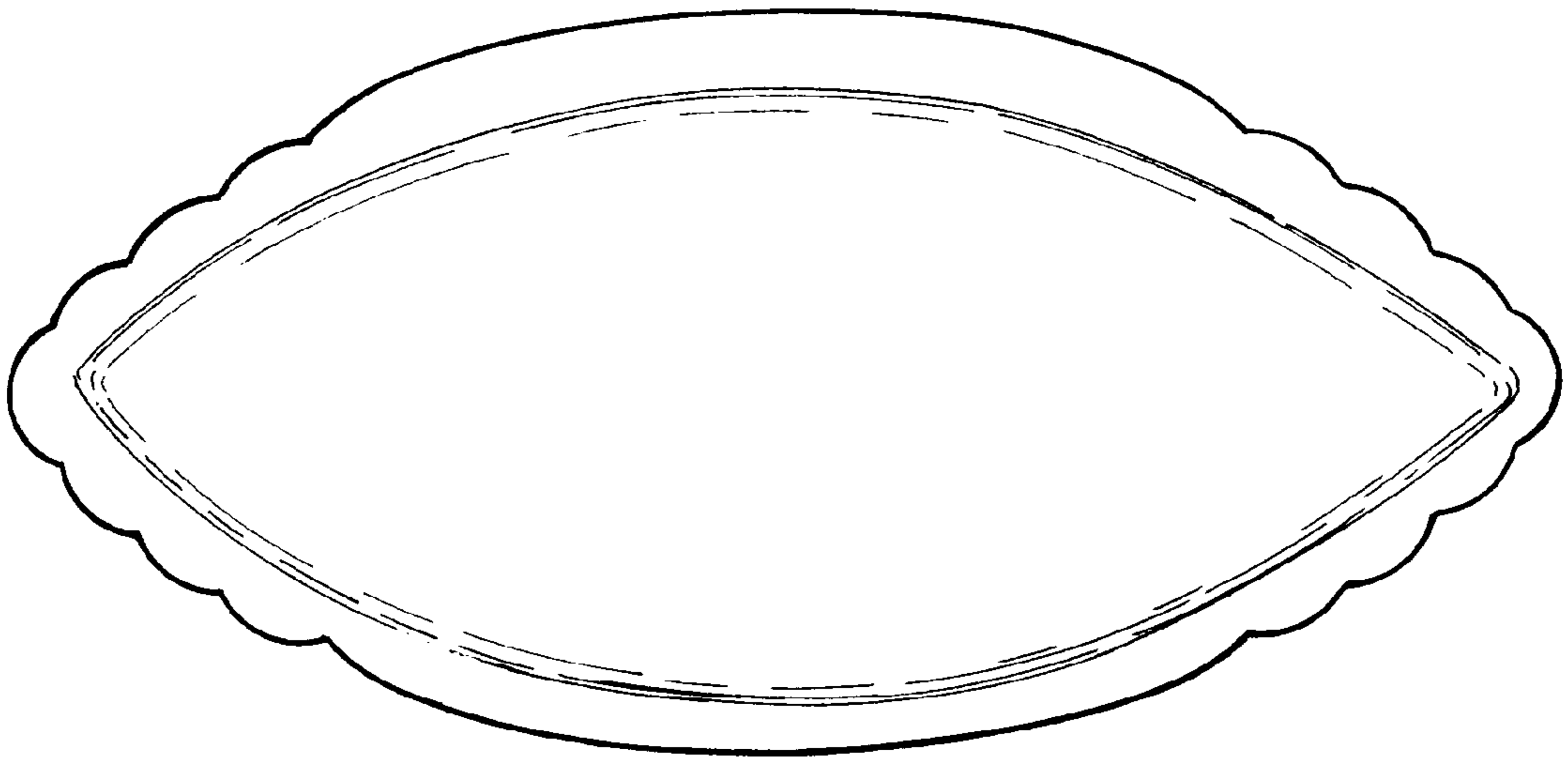


Fig. 5