



US00D421908S

United States Patent [19]

Abrams

[11] Patent Number: Des. 421,908

[45] Date of Patent: ** Mar. 28, 2000

[54] SPOUT

[76] Inventor: **Harold Abrams**, 6810 Chemin
Louis-Pasteur, Côte Saint-Luc, Canada,
H4W 3E9

[**] Term: **14 Years**

[21] Appl. No.: **29/105,991**

[22] Filed: **Jun. 8, 1999**

[51] LOC (6) Cl. **09-07**

[52] U.S. Cl. **D9/440**

[58] Field of Search D9/439, 440, 447,
D9/302; 215/355, 356, 364; 222/460, 566-571

[56] **References Cited**

U.S. PATENT DOCUMENTS

D. 54,871	4/1920	Smith	D9/302
D. 277,460	2/1985	Vadnais	D9/447
D. 289,378	4/1987	Miskinis	D9/439
4,461,454	7/1984	Vadnais	222/525 X

Primary Examiner—Cathron B. Matta

[57] **CLAIM**

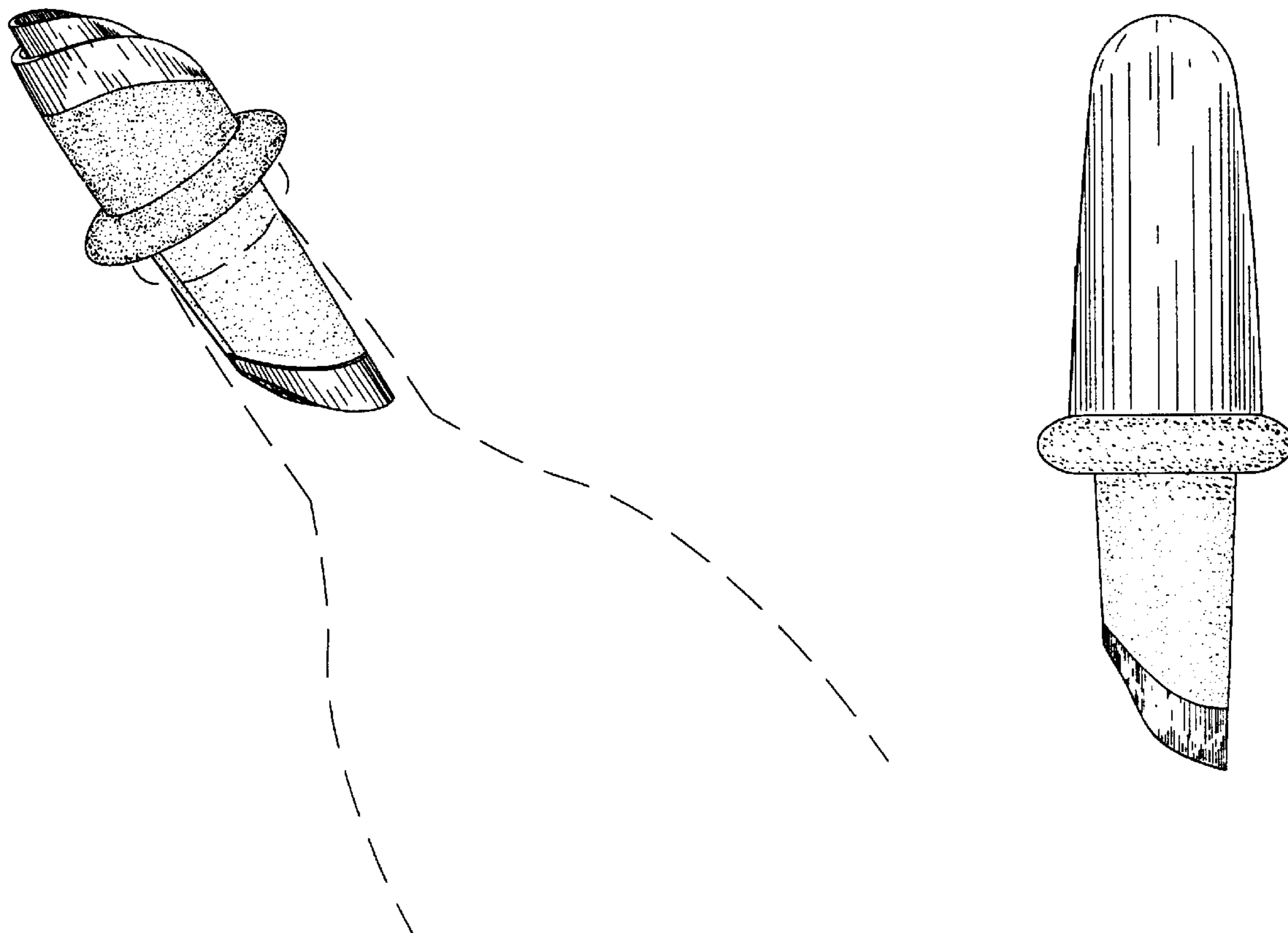
The ornamental design for a spout, as shown.

DESCRIPTION

FIG. 1 is a front perspective view of a first embodiment, without cover, showing my new design;
 FIG. 2 is a front elevational view thereof;
 FIG. 3 is a left side elevational view thereof;
 FIG. 4 is a right side elevational view thereof;
 FIG. 5 is a top plan view thereof;
 FIG. 6 is a bottom plan view thereof;
 FIG. 7 is a front elevational view of a second embodiment, with a cover, of a decorative spout showing my new design;
 FIG. 8 is a left side elevational view thereof;
 FIG. 9 is a right side elevational view thereof;
 FIG. 10 is a top plan view thereof; and,
 FIG. 11 is a bottom plan view thereof.

The broken line showing a neck of a bottle in FIGS. 1, 4 and 9 is for illustrative purposes only and forms no part of the claimed design.

1 Claim, 3 Drawing Sheets



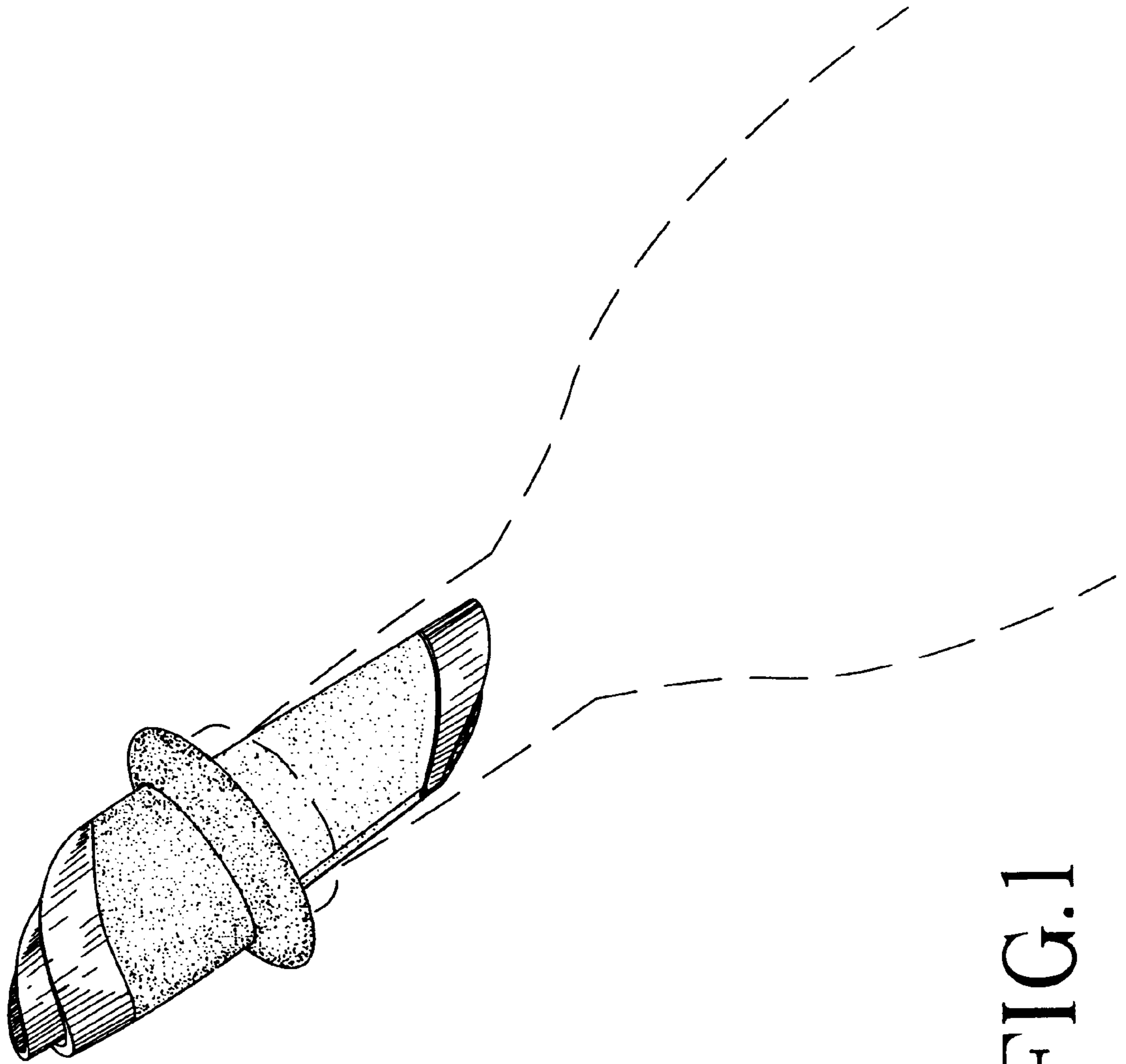


FIG.1

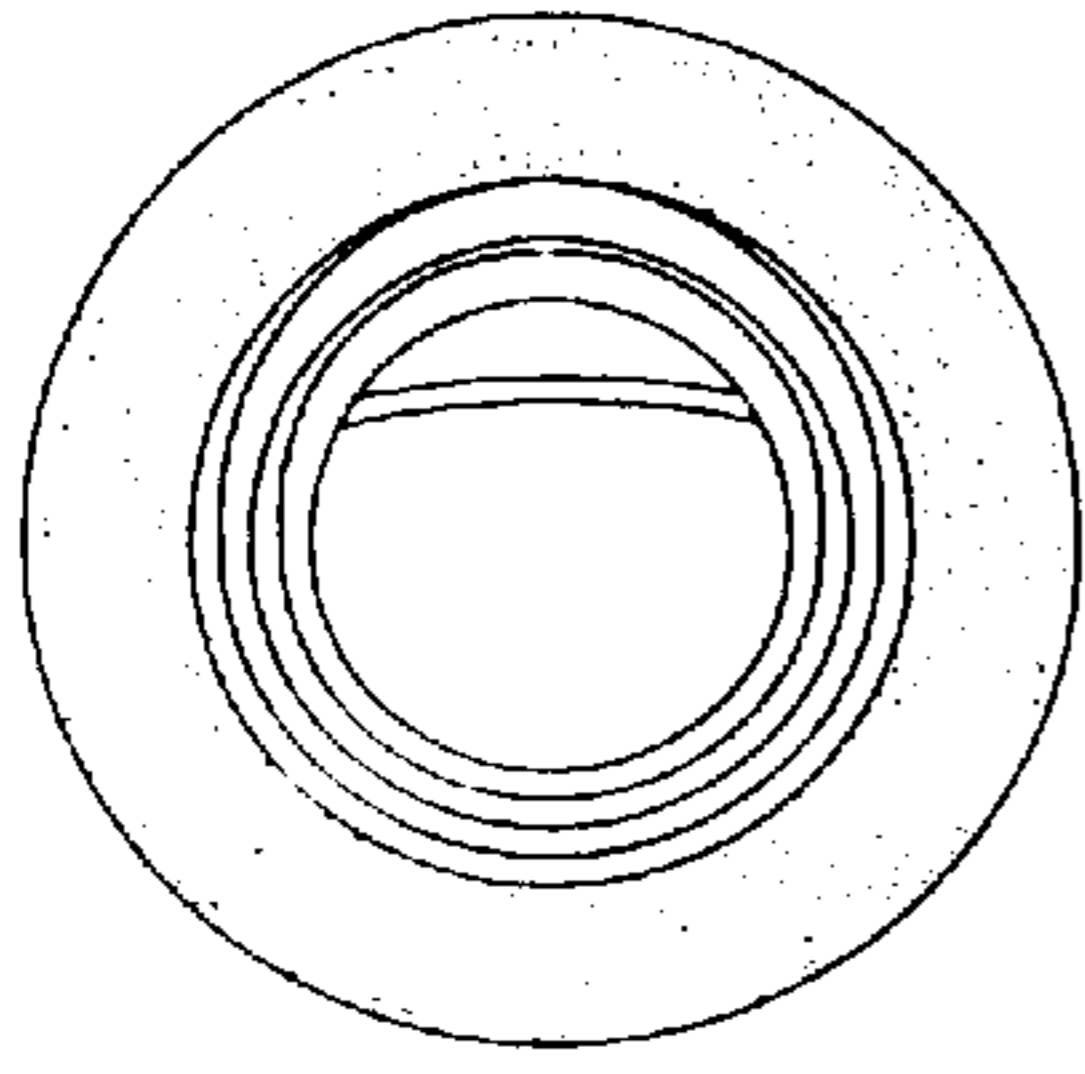


FIG. 5

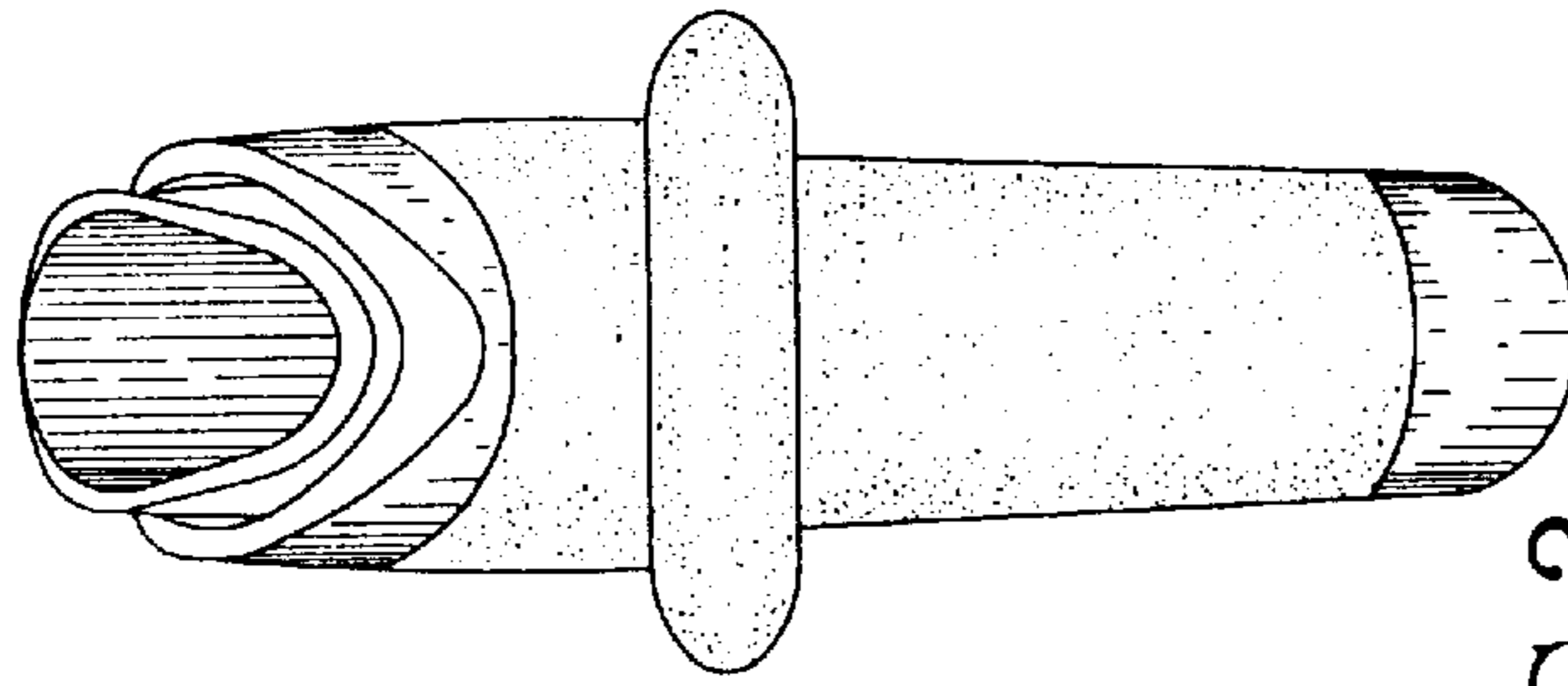


FIG. 3

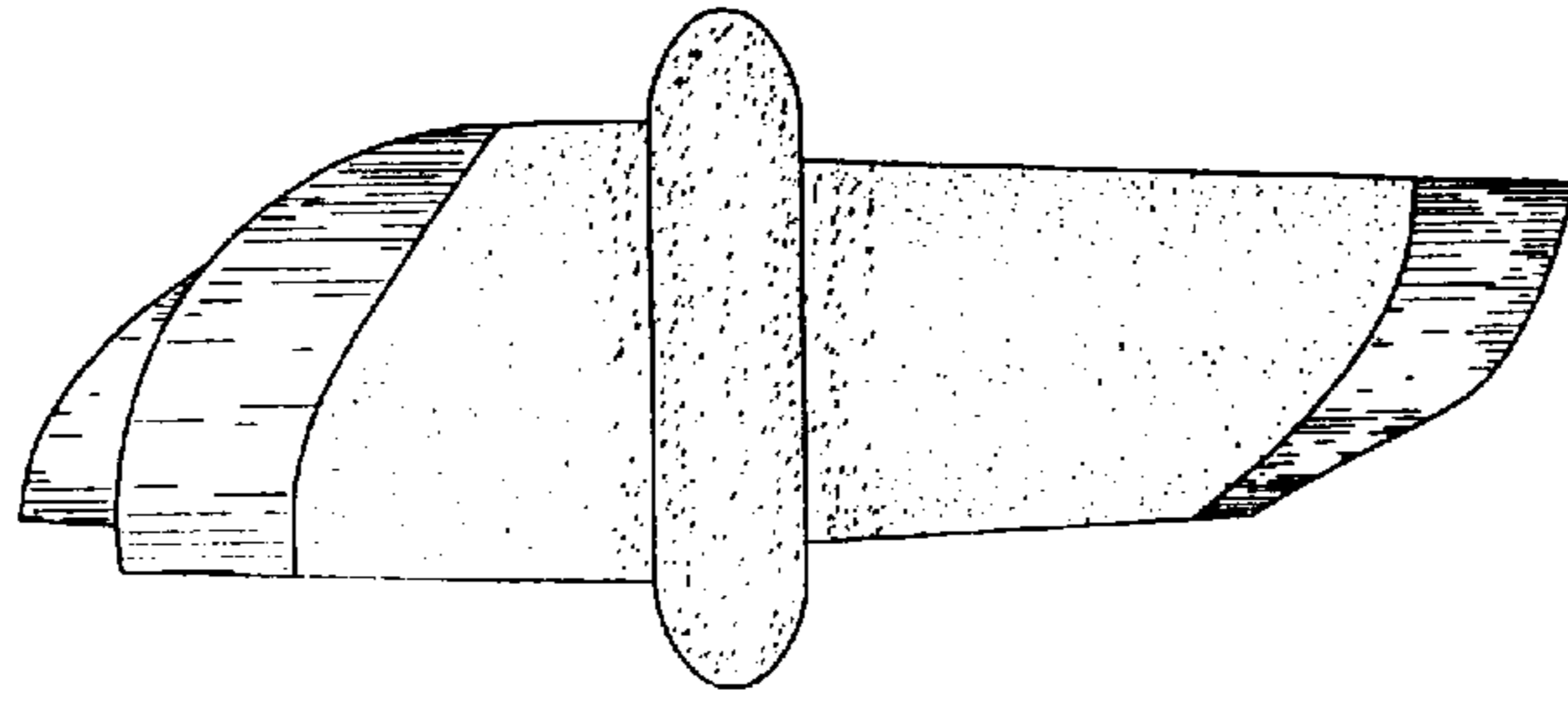


FIG. 2

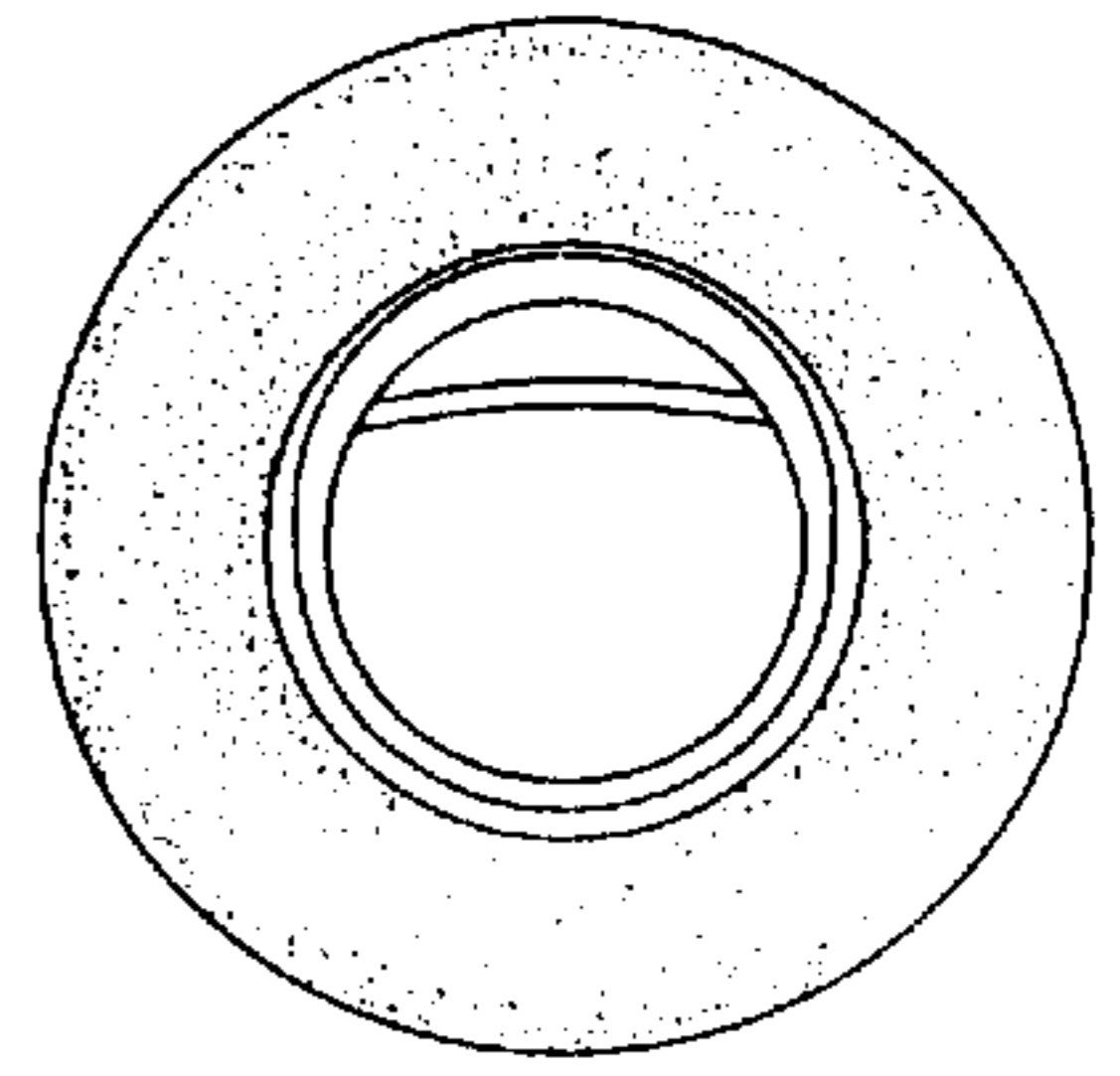


FIG. 6

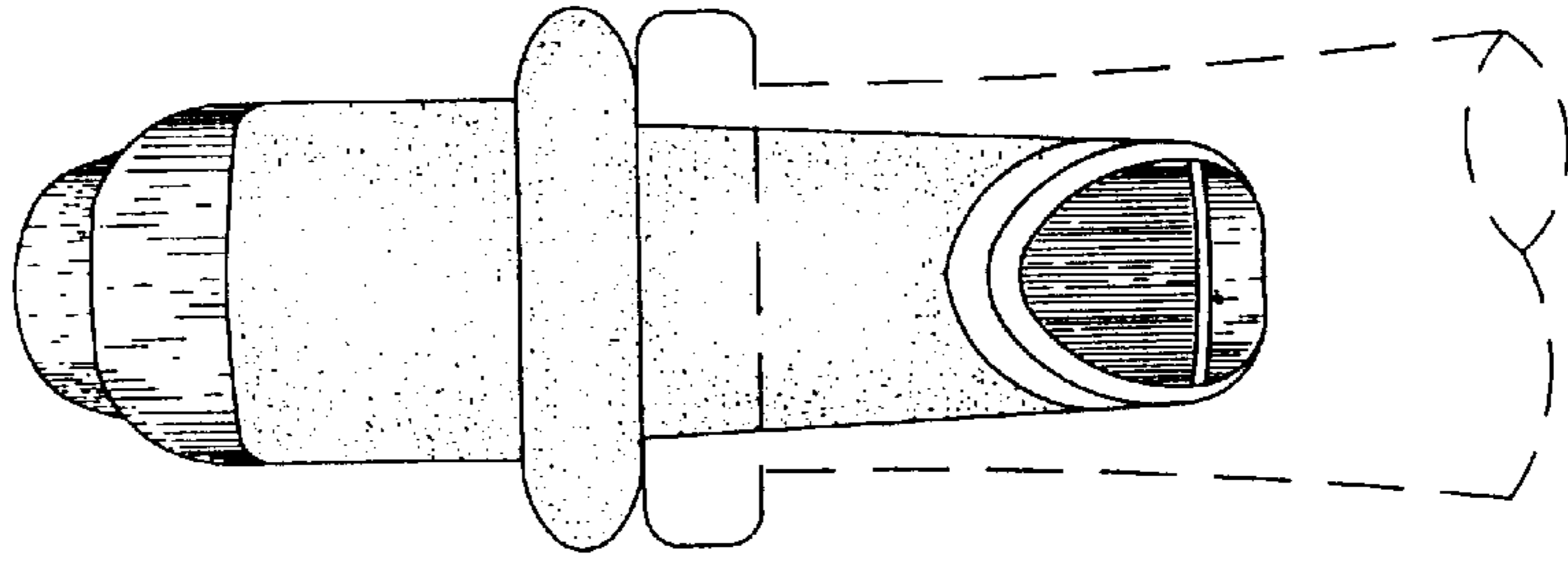


FIG. 4

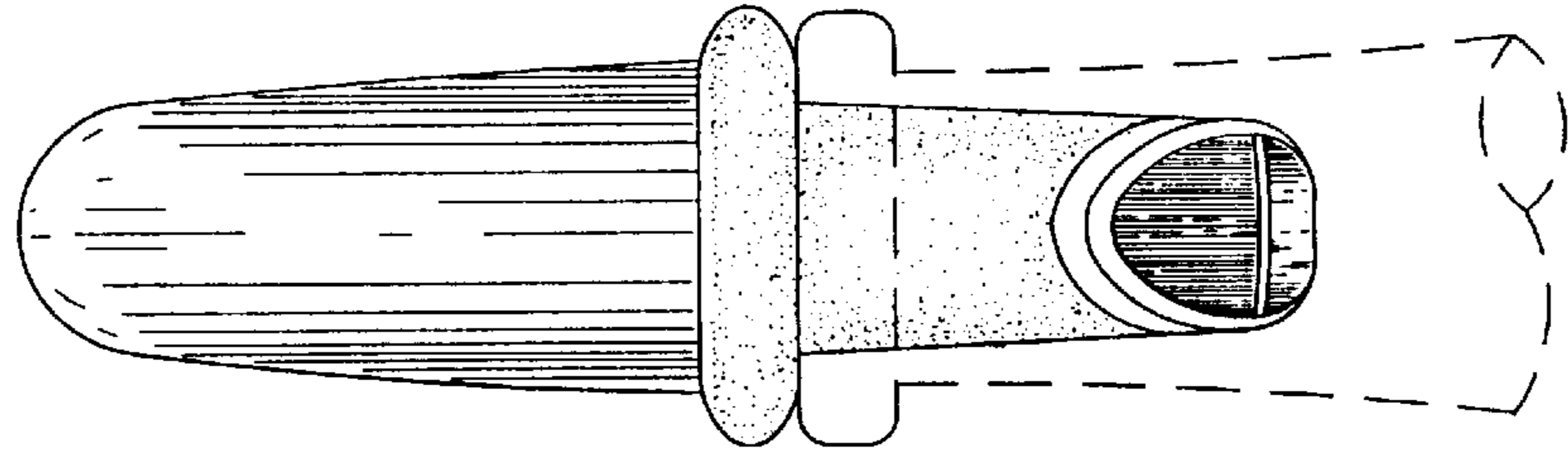


FIG. 9

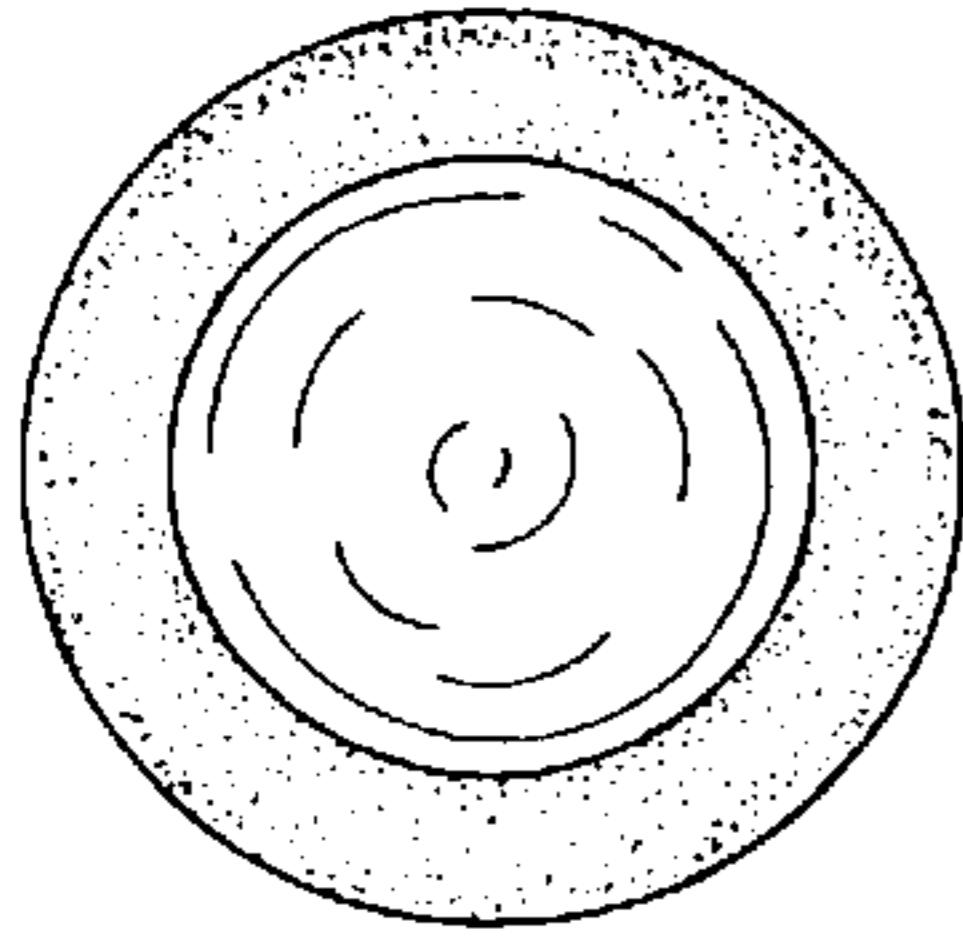


FIG. 10

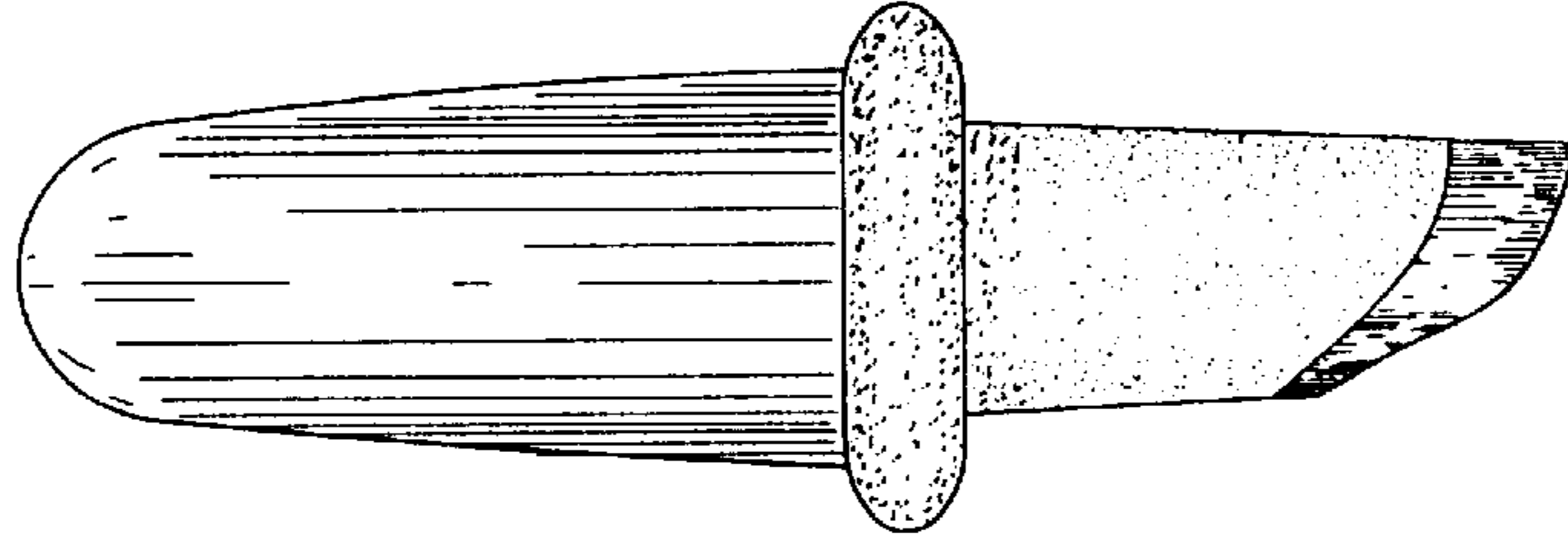


FIG. 7

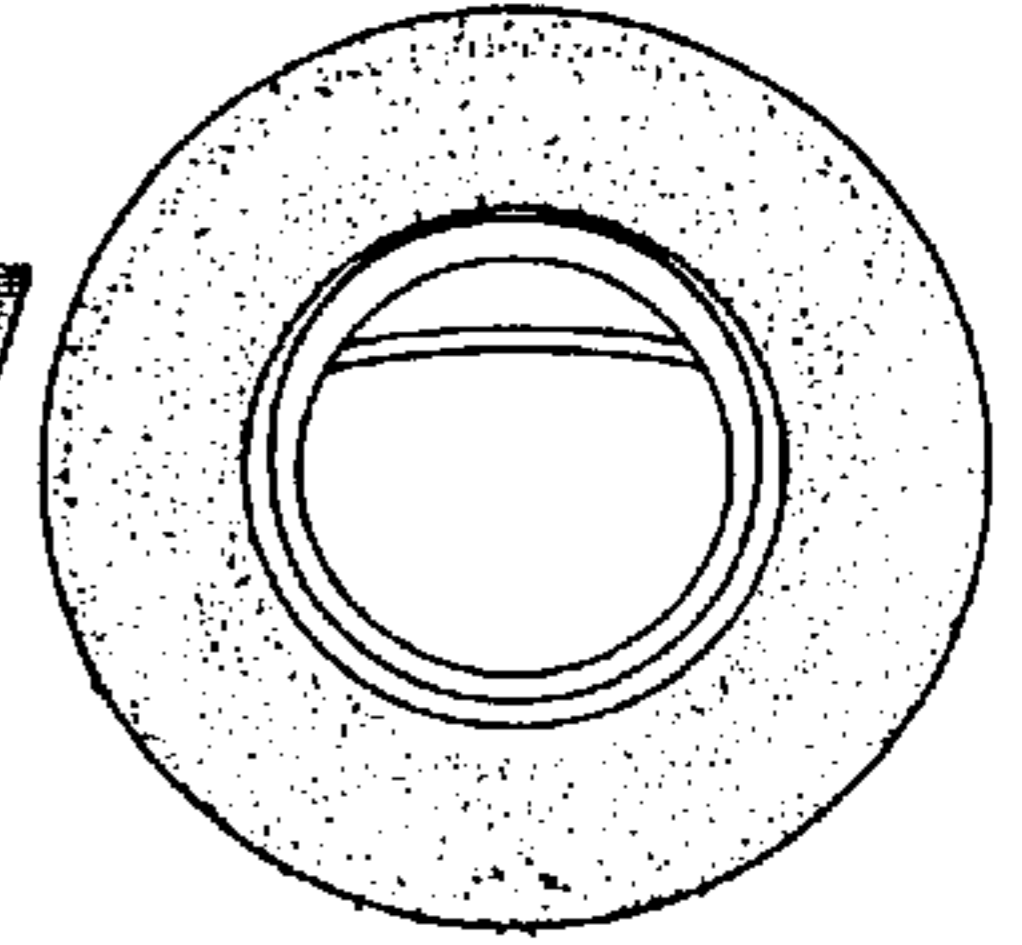


FIG. 11

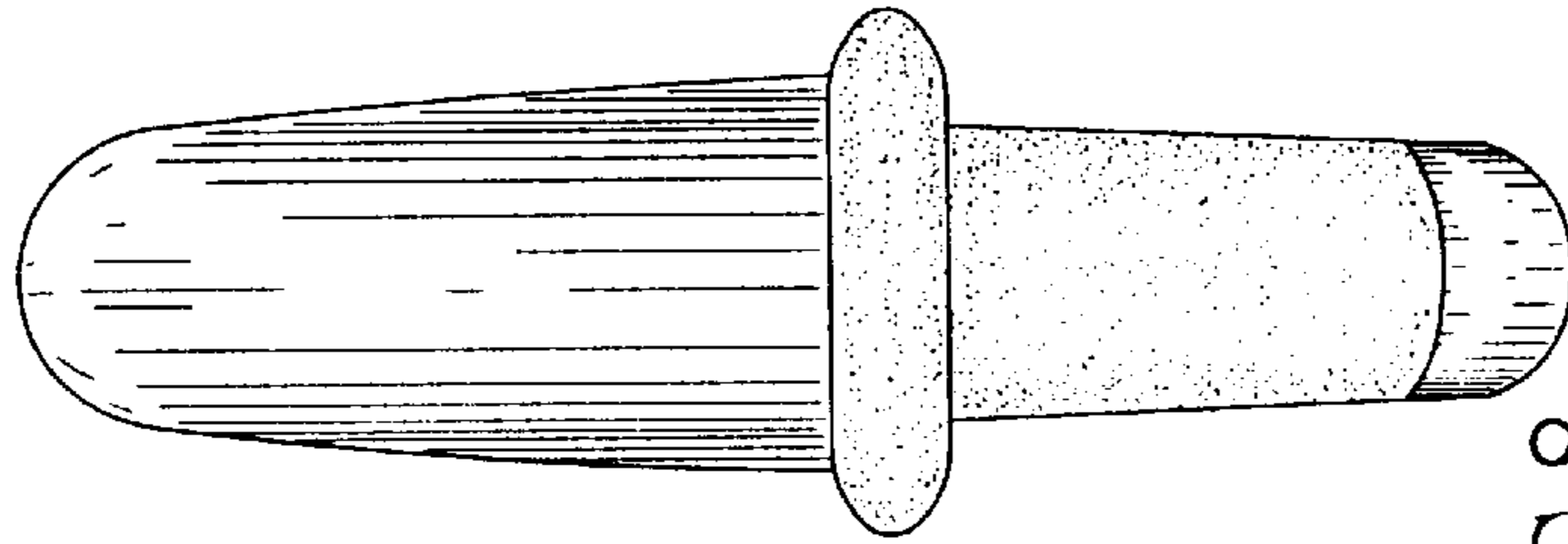


FIG. 8