



US00D421907S

United States Patent [19]
Benge et al.

[11] **Patent Number: Des. 421,907**
[45] **Date of Patent: ** Mar. 28, 2000**

[54] **EASY OPENING CAN END**
[75] Inventors: **Terence Alexander Benge**, Southmoor;
Roger Mason Cole, Wantage, both of
United Kingdom
[73] Assignee: **Crown Cork & Seal Technologies**
Corporation, Alsip, Ill.
[**] Term: **14 Years**

D. 352,898	11/1994	Vacher .	
3,221,923	12/1965	Bozek	220/273
3,381,848	5/1968	Brown	220/273
3,416,699	12/1968	Bozek	220/271
3,785,522	1/1974	Prayer et al.	220/273
3,941,277	3/1976	McKinney et al.	220/273
4,572,393	2/1986	Kobayashi et al. .	
4,890,759	1/1990	Scanga et al.	220/273
5,069,356	12/1991	Zysset .	
5,671,860	9/1997	Louwerse et al.	220/273 X

[21] Appl. No.: **29/084,857**
[22] Filed: **Mar. 12, 1998**
[30] **Foreign Application Priority Data**
Sep. 12, 1997 [GB] United Kingdom 2069047
[51] **LOC (6) Cl.** **09-07**
[52] **U.S. Cl.** **D9/438**
[58] **Field of Search** D9/435, 438, 416,
D9/518; 215/305; 220/269-273, 793, 906;
222/153.07

FOREIGN PATENT DOCUMENTS

926970 11/1992 France .

Primary Examiner—Cathron B. Matta
Attorney, Agent, or Firm—Diller, Ramik & Wight, PC

[56] **References Cited**
U.S. PATENT DOCUMENTS

D. 243,833	3/1977	Markert .	
D. 307,720	5/1990	Saunders et al.	D9/438
D. 337,521	7/1993	McNulty .	

[57] **CLAIM**
The ornamental design for easy opening can end, as shown and described.

DESCRIPTION

FIG. 1 is a top plan view of an easy opening can end showing my new design;
FIG. 2 is a top plan view of an end panel of the easy opening can end of FIG. 1 with a pull tab removed; and,
FIG. 3 is a side elevational view of the easy opening can end of FIG. 1.

1 Claim, 1 Drawing Sheet

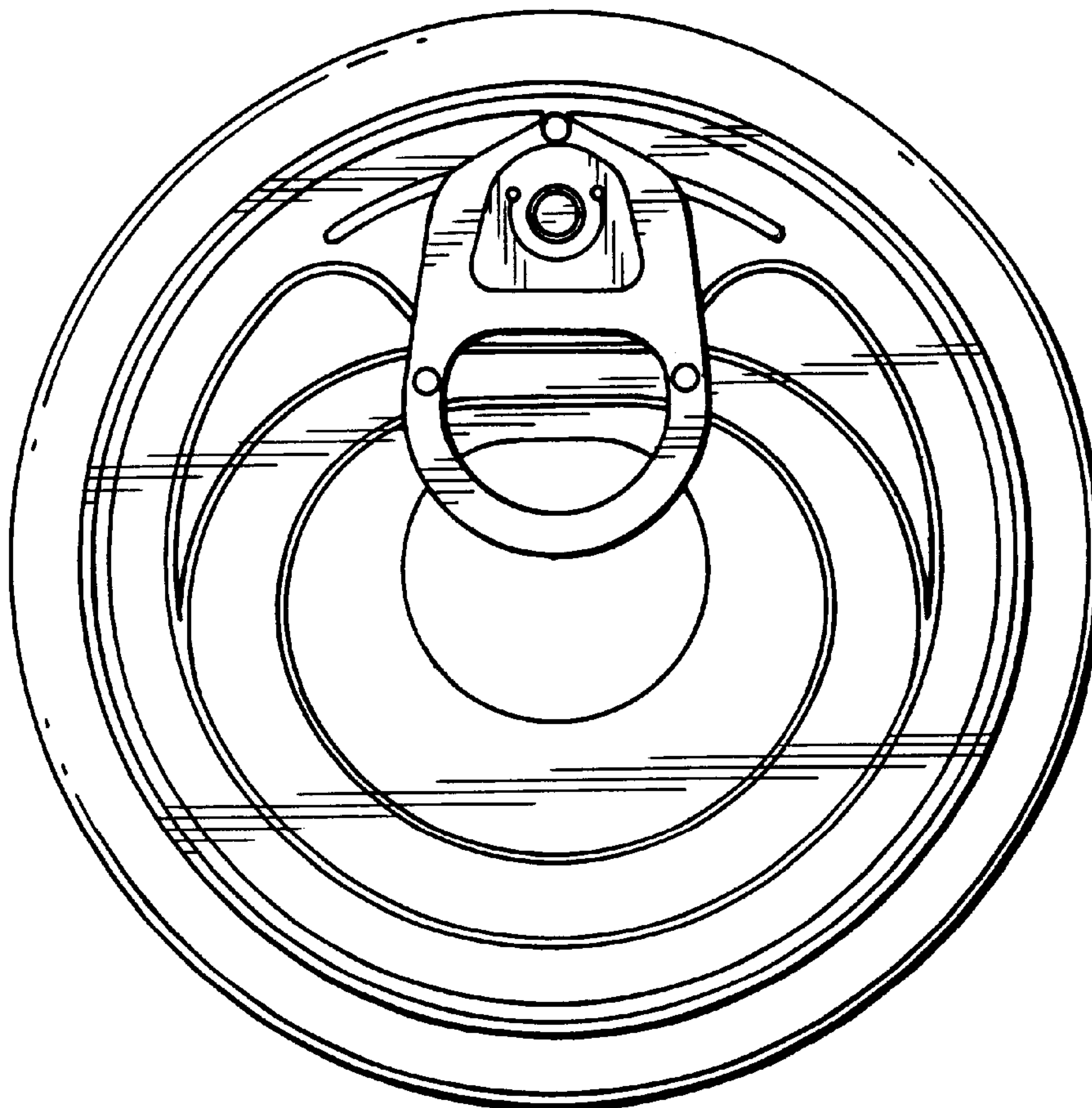


Fig. 1.

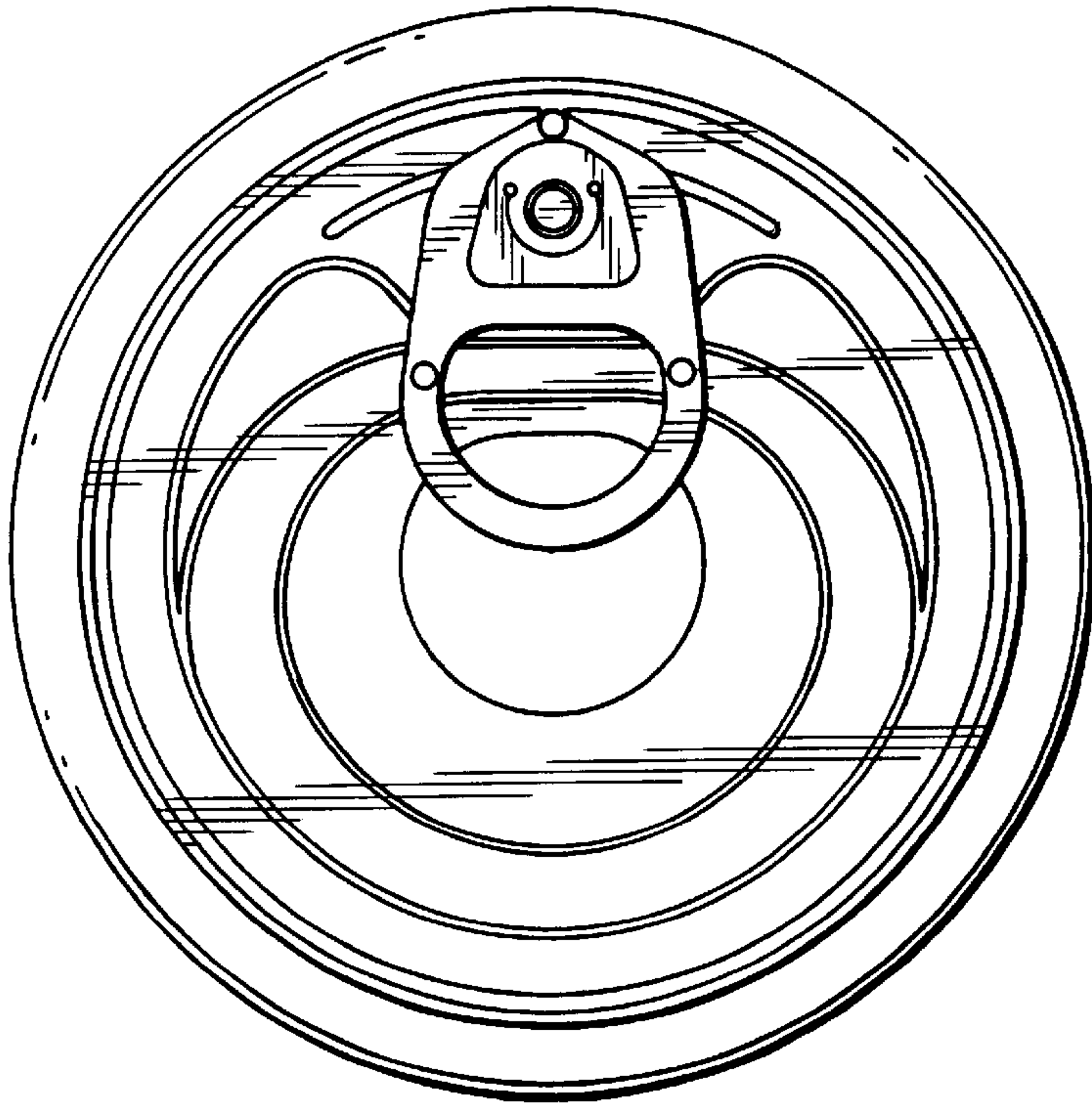


Fig. 2.

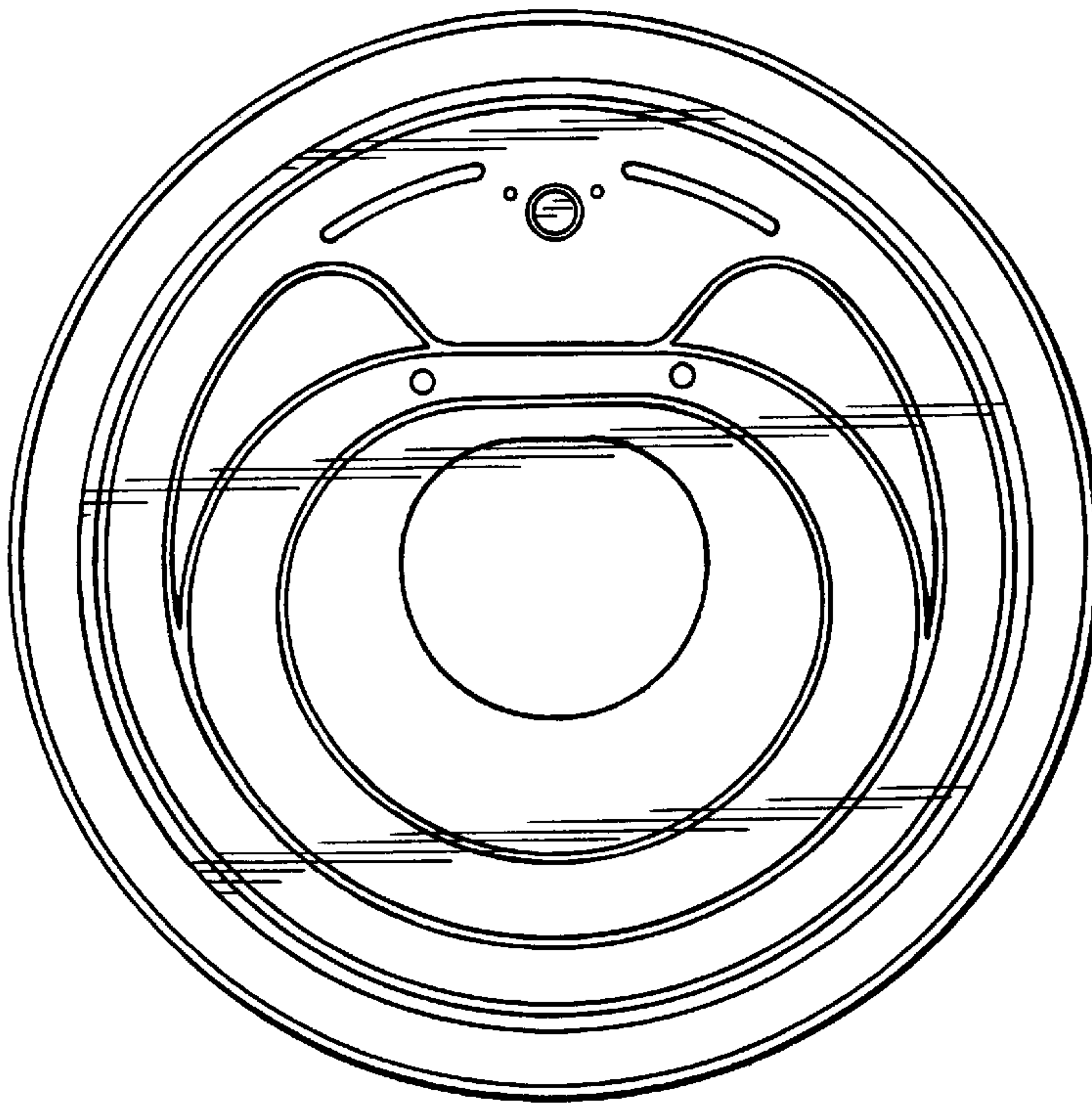


Fig. 3.

