



US00D421901S

# United States Patent [19] Hill

[11] **Patent Number: Des. 421,901**  
[45] **Date of Patent: \*\* Mar. 28, 2000**

[54] **CONTAINER**

[75] Inventor: **Simon David Julian Hill**, Wiesbaden, Germany

[73] Assignee: **The Procter & Gamble Company**, Cincinnati, Ohio

[\*\*] Term: **14 Years**

[21] Appl. No.: **29/102,302**

[22] Filed: **Mar. 22, 1999**

[30] **Foreign Application Priority Data**

Sep. 22, 1998 [GB] United Kingdom ..... 2077828

[51] **LOC (6) Cl.** ..... **09-07**

[52] **U.S. Cl.** ..... **D9/423; D9/424**

[58] **Field of Search** ..... D9/420-424, 432, D9/414, 337, 341; D3/201, 273, 294; D7/607, 629; 206/508, 823, 828, 216; 220/253, 254, 781, 836, 797, 376, 377, 380, 675, 587, 783, 832

[56] **References Cited**

**U.S. PATENT DOCUMENTS**

D. 166,195 3/1952 Howard ..... D9/420

D. 363,663	10/1995	Plater .....	D9/424 X
D. 406,057	2/1999	Hager .....	D9/420
D. 412,439	8/1999	Cormack .....	D9/423 X
2,880,859	4/1959	Tupper .....	220/257
4,787,527	11/1988	Monetti .....	220/557
5,036,997	8/1991	May et al. ....	220/832
5,366,104	11/1994	Armstrong .....	220/832
5,833,116	11/1998	Guillin .....	220/783

*Primary Examiner*—Prabhakar Deshmukh  
*Attorney, Agent, or Firm*—Leonard W. Lewis

[57] **CLAIM**

The ornamental design for a container, as shown and described.

**DESCRIPTION**

FIG. 1 is a perspective view of a container, embodying our new design;  
FIG. 2 is a front elevational view thereof;  
FIG. 3 is a back elevational view thereof;  
FIG. 4 is a left side elevational view thereof;  
FIG. 5 is a right side elevational view thereof;  
FIG. 6 is a top plan view thereof; and,  
FIG. 7 is a bottom plan view thereof.

**1 Claim, 3 Drawing Sheets**

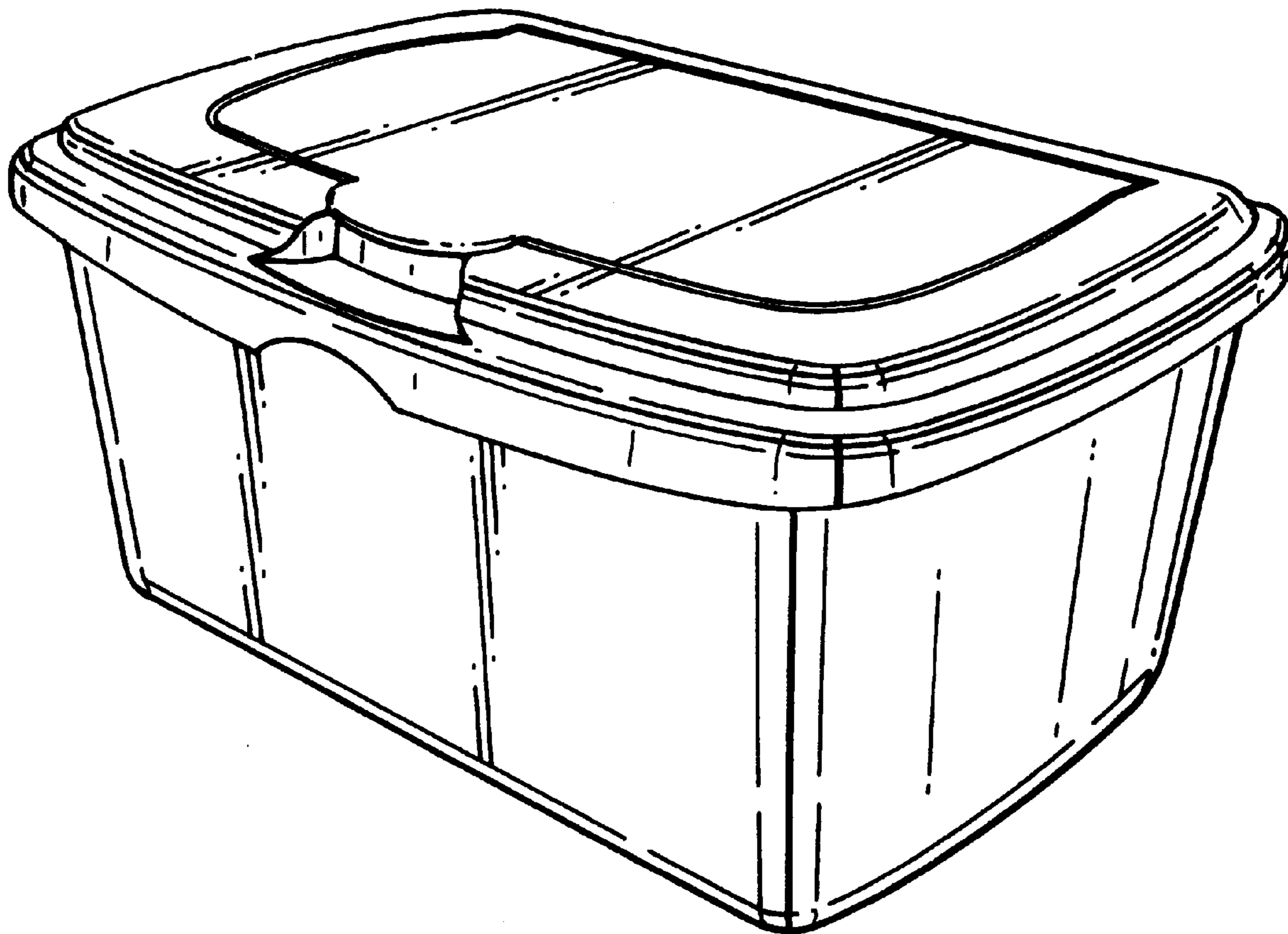


Fig. 1.

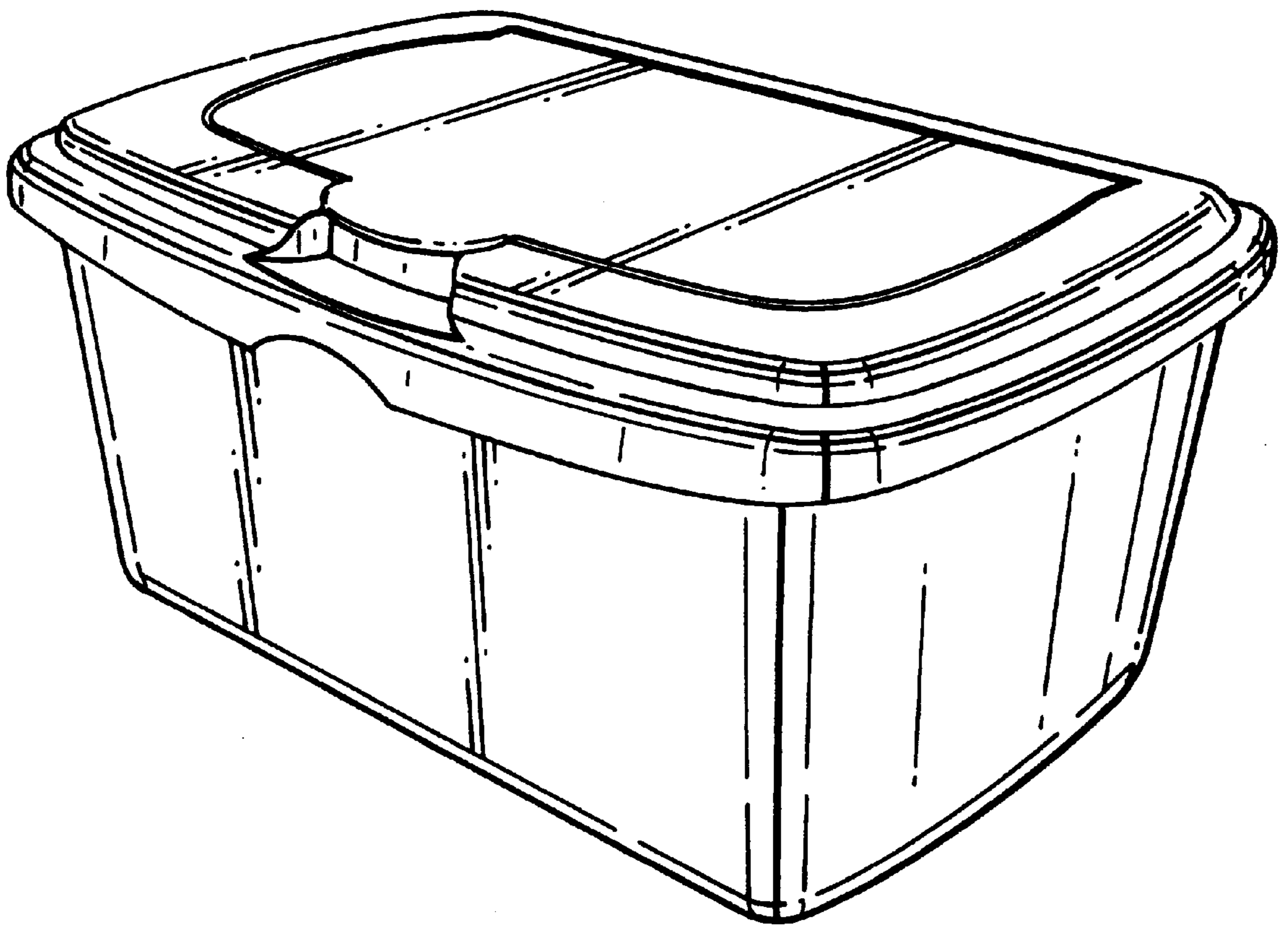


Fig.2.

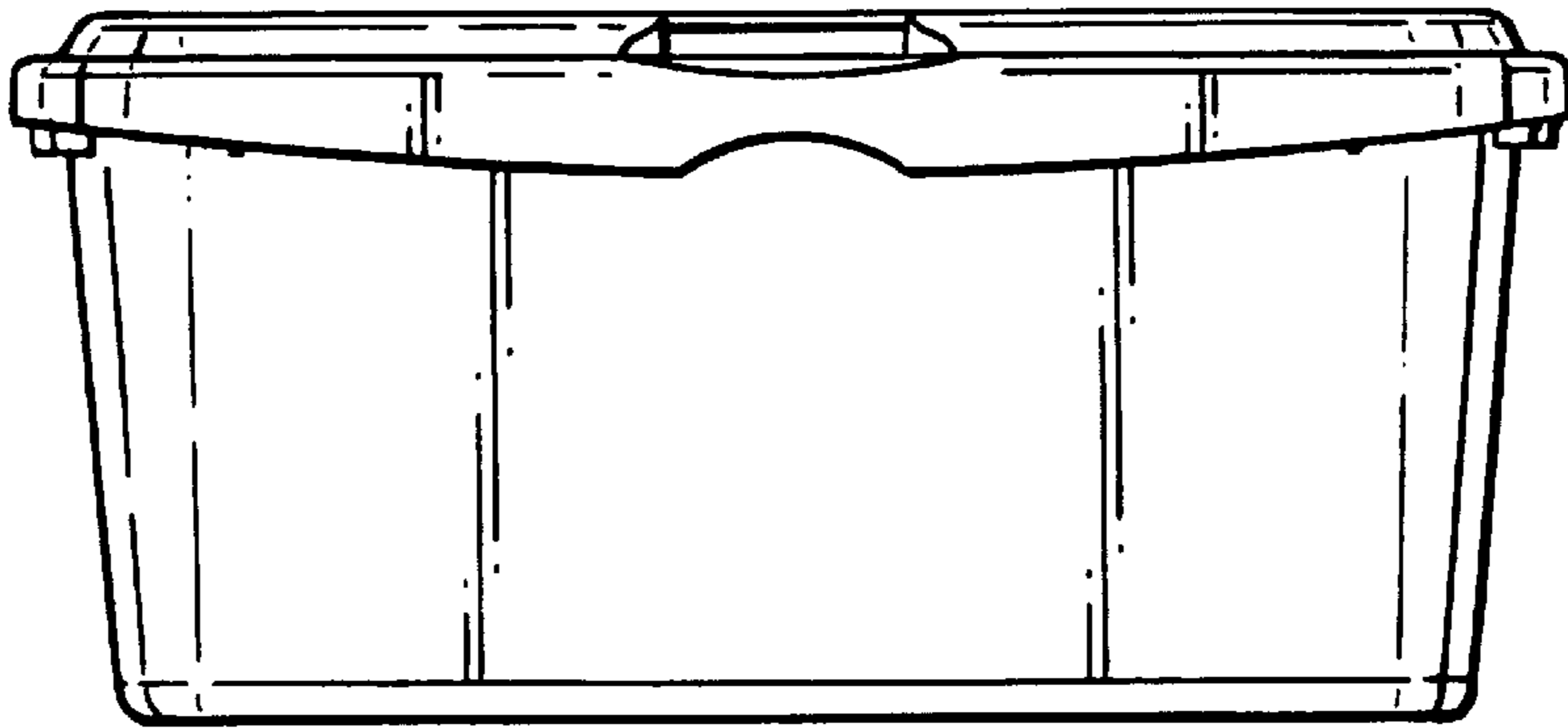


Fig.3.

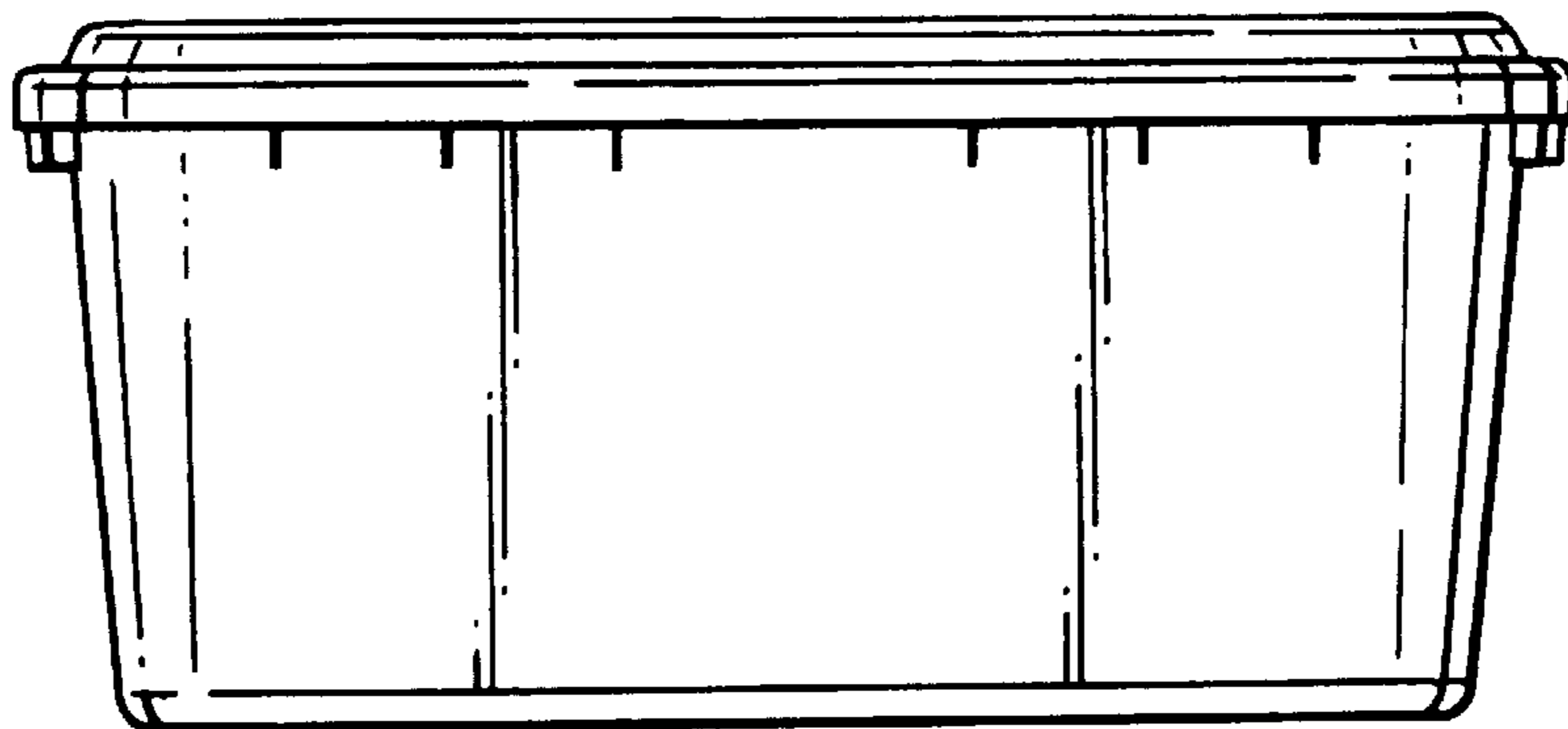


Fig.4.

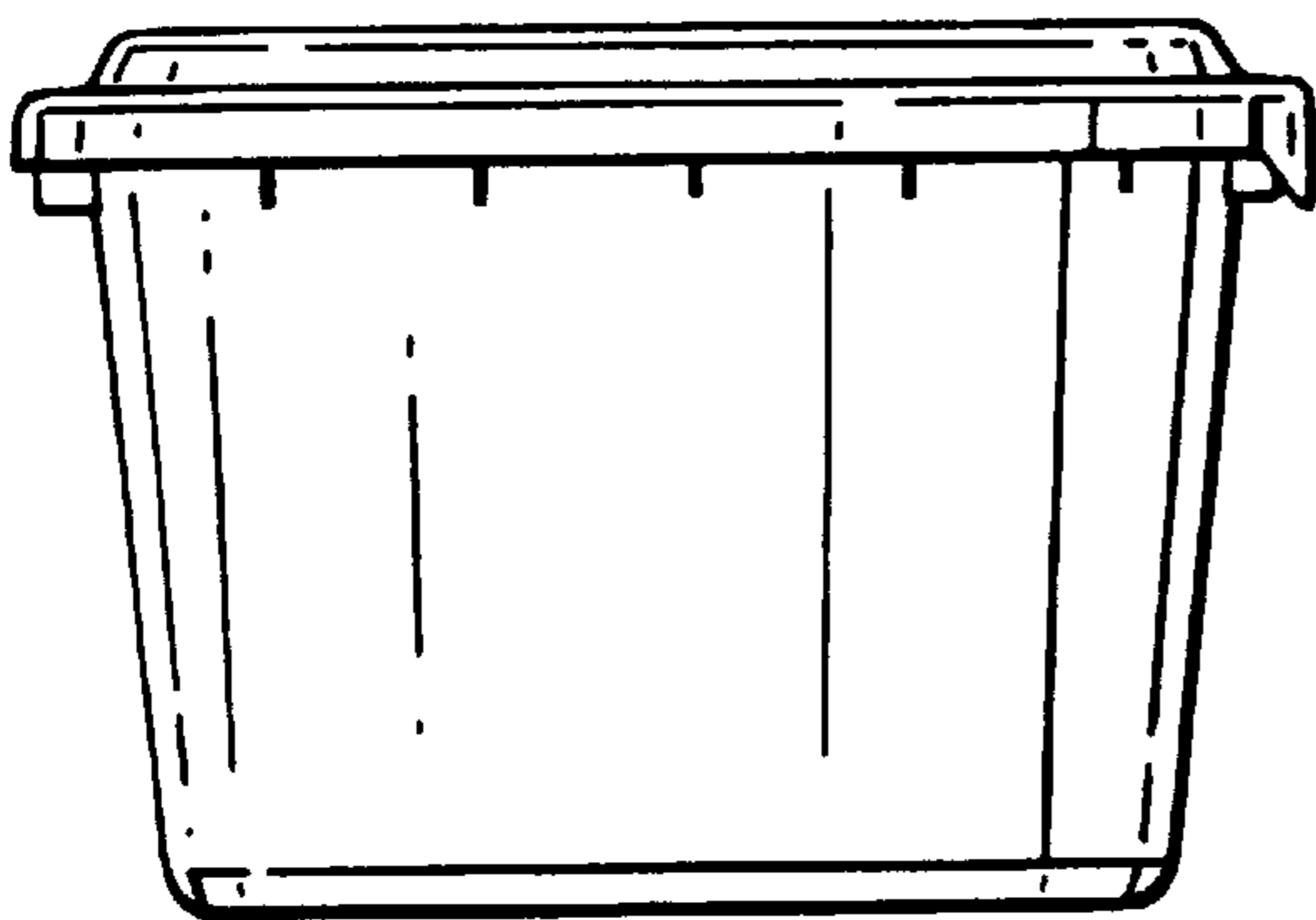


Fig.5.

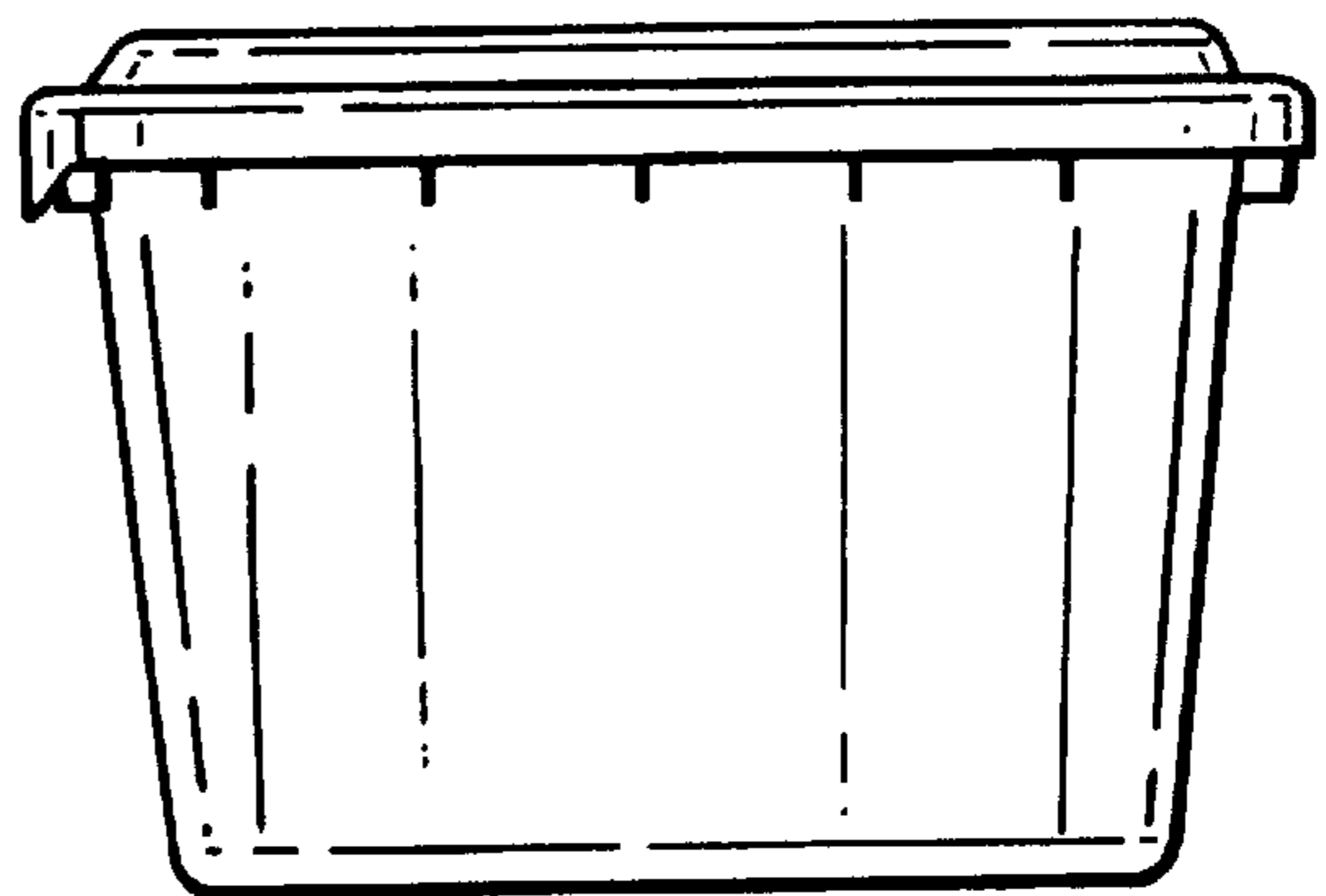


Fig.6.

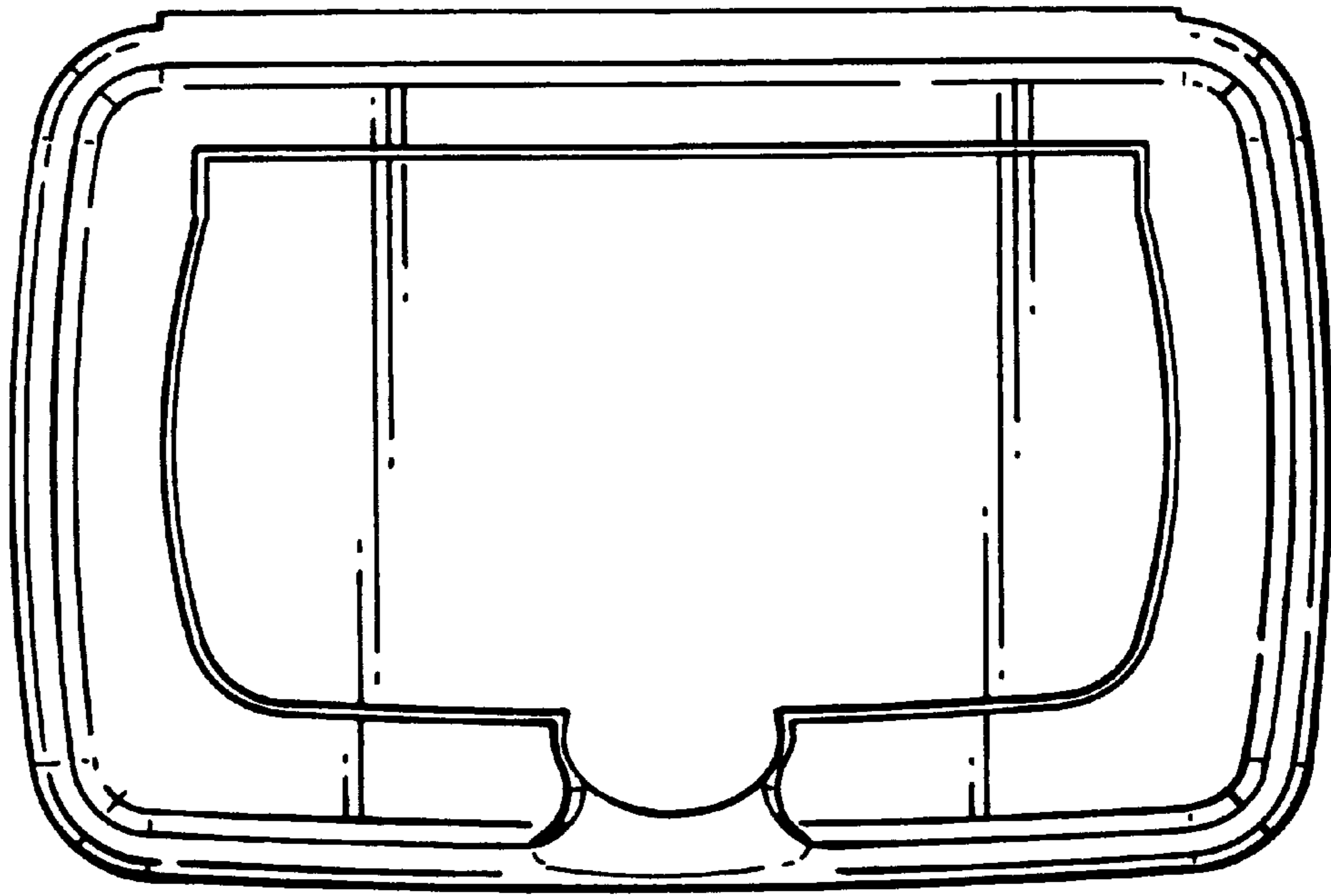


Fig.7.

