



US00D421900S

United States Patent [19]

Eneroth et al.

[11] Patent Number: **Des. 421,900**

[45] Date of Patent: **** Mar. 28, 2000**

[54] **BLISTER PACK**

[75] Inventors: **Jan Eneroth**, Göteborg; **Mats Rudèn**, Askim, both of Sweden

[73] Assignee: **Astra Aktiebolag**, Södertälje, Sweden

[**] Term: **14 Years**

[21] Appl. No.: **29/091,753**

[22] Filed: **Aug. 5, 1998**

[30] Foreign Application Priority Data

Feb. 11, 1998 [SE] Sweden 98-0347

[51] **LOC (6) Cl.** **09-03**

[52] **U.S. Cl.** **D9/341**

[58] **Field of Search** D9/337, 339, 341, D9/345, 346, 347, 348, 414, 430, 431, 432; 206/531, 532, 534, 538, 539

[56] References Cited

U.S. PATENT DOCUMENTS

D. 320,930 10/1991 Richards D9/345
2,652,149 9/1953 O'Meara 206/538

3,429,426	2/1969	Wolf et al.	206/539
3,931,885	1/1976	Nahill et al.	206/538
4,011,949	3/1977	Braber et al.	206/538
4,189,053	2/1980	Stagnitto et al.	206/531
4,305,502	12/1981	Gregory et al.	206/538
4,444,310	4/1984	Odell	206/539
4,736,849	4/1988	Leonard et al.	206/534
4,884,693	12/1989	Brutsch	206/538
5,203,703	4/1993	Schneiderman	206/531
5,911,319	6/1999	Porcelli et al.	206/539
5,927,500	7/1999	Godfrey et al.	206/538

Primary Examiner—Philip S. Hyder
Assistant Examiner—Carol Rademaker
Attorney, Agent, or Firm—White & Case LLP

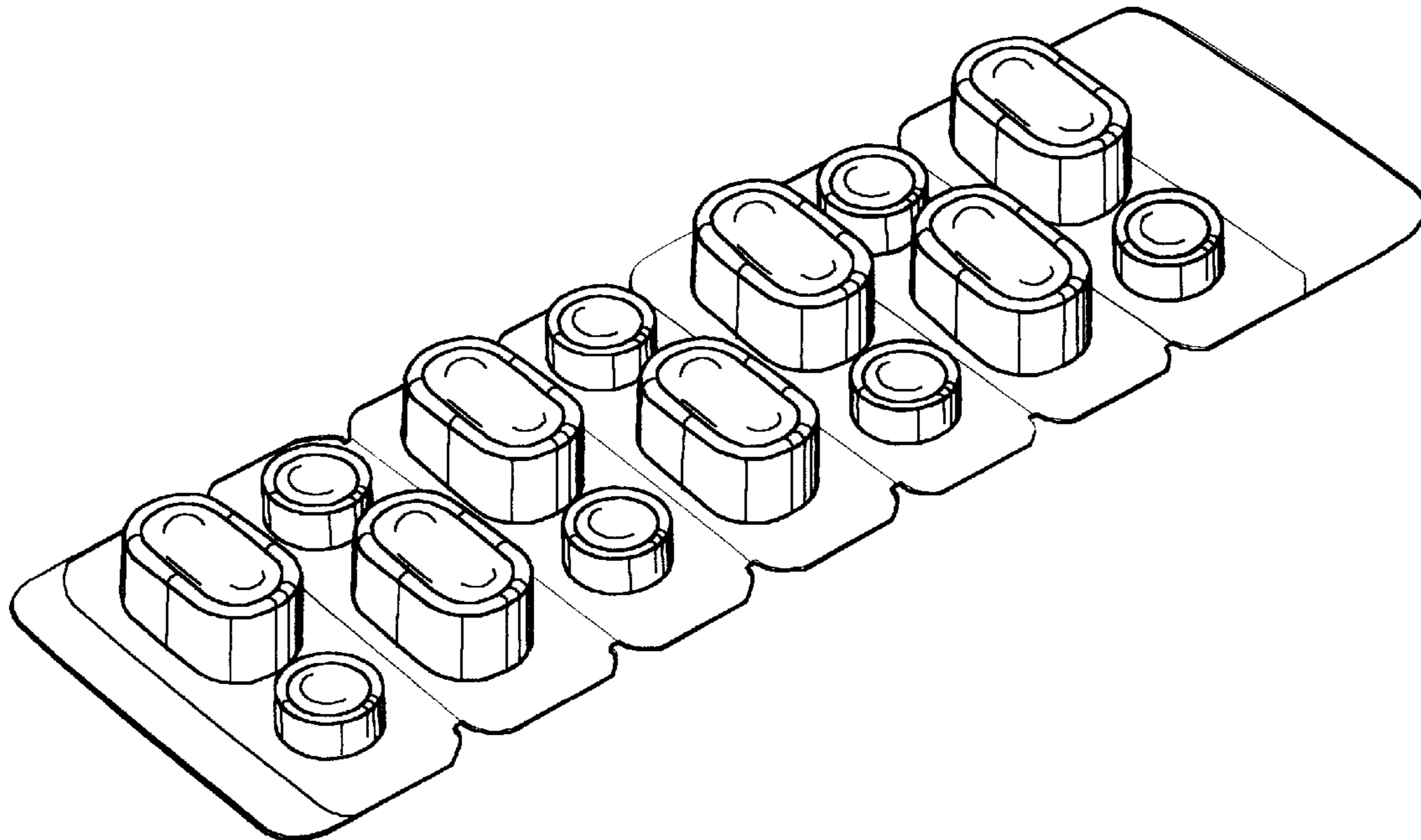
[57] CLAIM

The ornamental design for a blister pack, as shown.

DESCRIPTION

FIG. 1 is a top perspective view of the blister pack;
FIG. 2 is a bottom perspective view of the blister pack;
FIG. 3 is a side view showing the blister pack from one side;
and,
FIG. 4 is an end view showing the blister pack from one end.

1 Claim, 1 Drawing Sheet



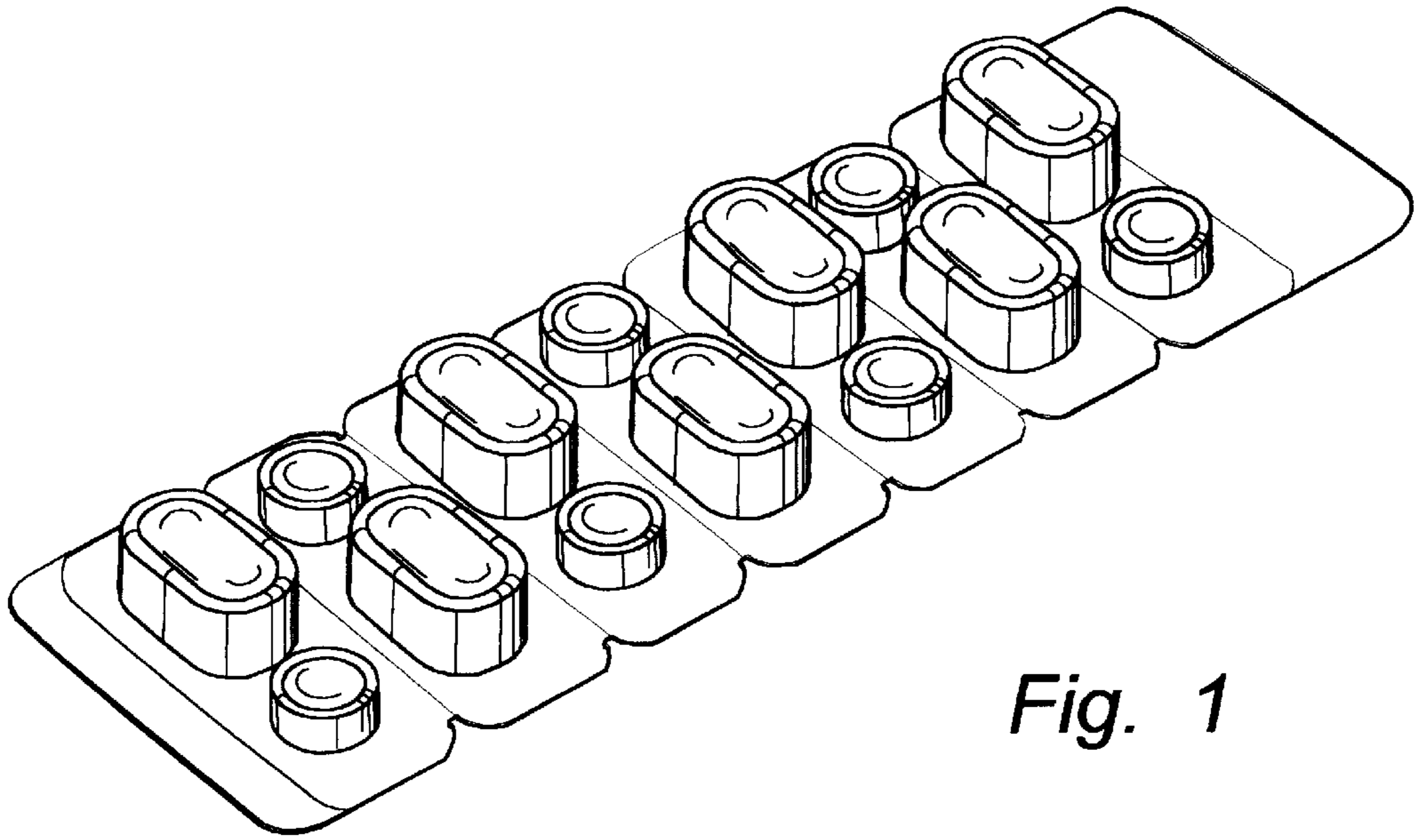


Fig. 1

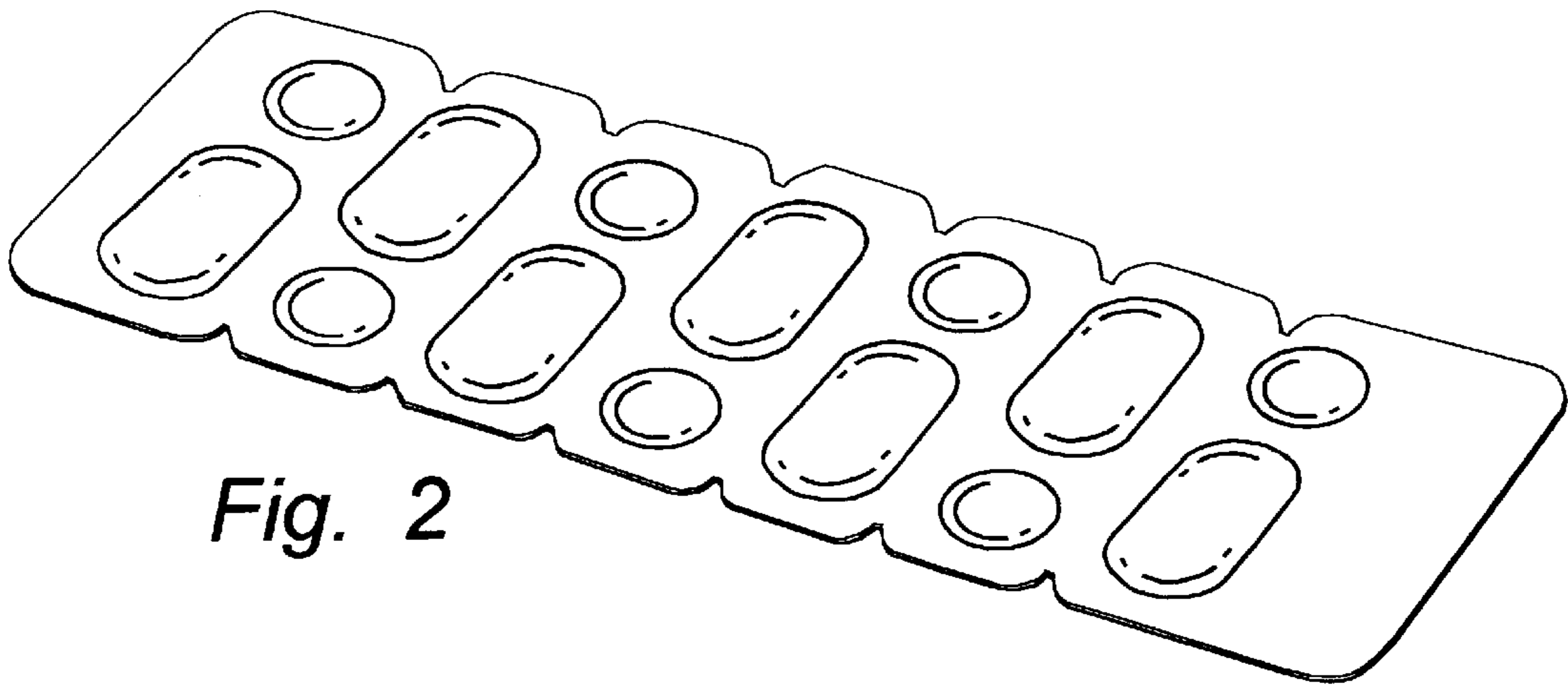


Fig. 2



Fig. 3



Fig. 4