



US00D421899S

# United States Patent [19]

Eneroth et al.

[11] Patent Number: **Des. 421,899**

[45] Date of Patent: **\*\* Mar. 28, 2000**

[54] **BLISTER PACK**

[75] Inventors: **Jan Eneroth**, Göteborg; **Mats Rudén**, Askim, both of Sweden

[73] Assignee: **Astra Aktiebolag**, Södertälje, Sweden

[\*\*] Term: **14 Years**

[21] Appl. No.: **29/091,752**

[22] Filed: **Aug. 5, 1998**

### [30] Foreign Application Priority Data

Feb. 11, 1998 [SE] Sweden ..... 98-0348

[51] **LOC (6) Cl.** ..... **09-03**

[52] **U.S. Cl.** ..... **D9/341; D9/345**

[58] **Field of Search** ..... D9/337, 339, 341, D9/345-348, 414, 430-432; 206/531-532, 534, 538-539

### [56] References Cited

#### U.S. PATENT DOCUMENTS

D. 320,930 10/1991 Richards ..... D9/345  
2,652,149 9/1953 O'Meara ..... 206/538

3,429,426	2/1969	Wolf et al. ....	206/539
3,931,885	1/1976	Nahill et al. ....	206/538
4,011,949	3/1977	Braber et al. ....	206/538
4,189,053	2/1980	Stagnitto et al. ....	206/531
4,305,502	12/1981	Gregory et al. ....	206/538
4,444,310	4/1984	Odell .....	206/539
4,736,849	4/1988	Leonard et al. ....	206/534
4,884,693	12/1989	Brutsch .....	206/538
5,203,703	4/1993	Schneiderman .....	206/531
5,911,319	6/1999	Porcelli et al. ....	206/539
5,927,500	7/1999	Godfrey et al. ....	206/538

*Primary Examiner*—Philip S. Hyder  
*Assistant Examiner*—Carol Rademaker  
*Attorney, Agent, or Firm*—White & Case LLP

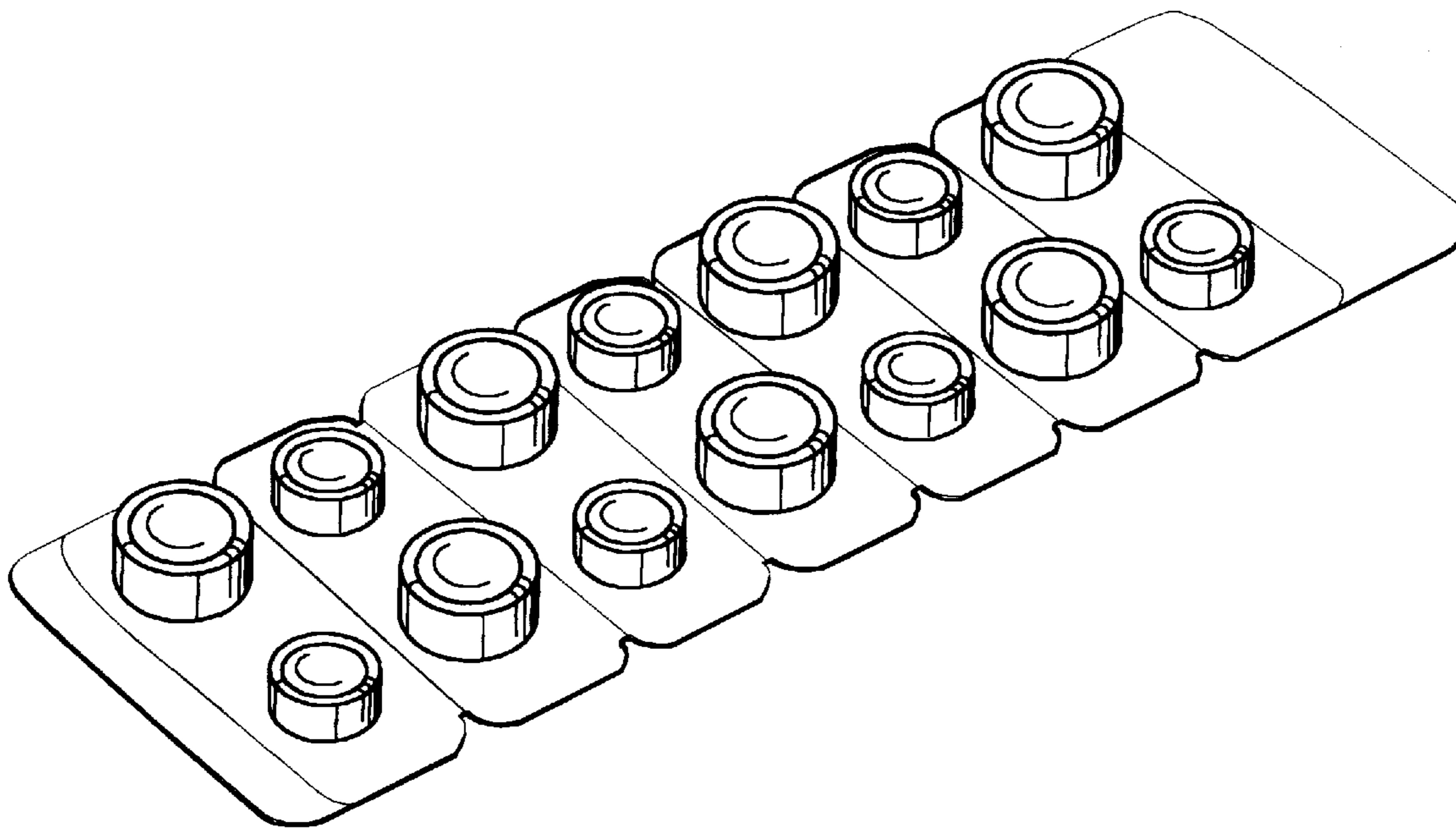
### [57] CLAIM

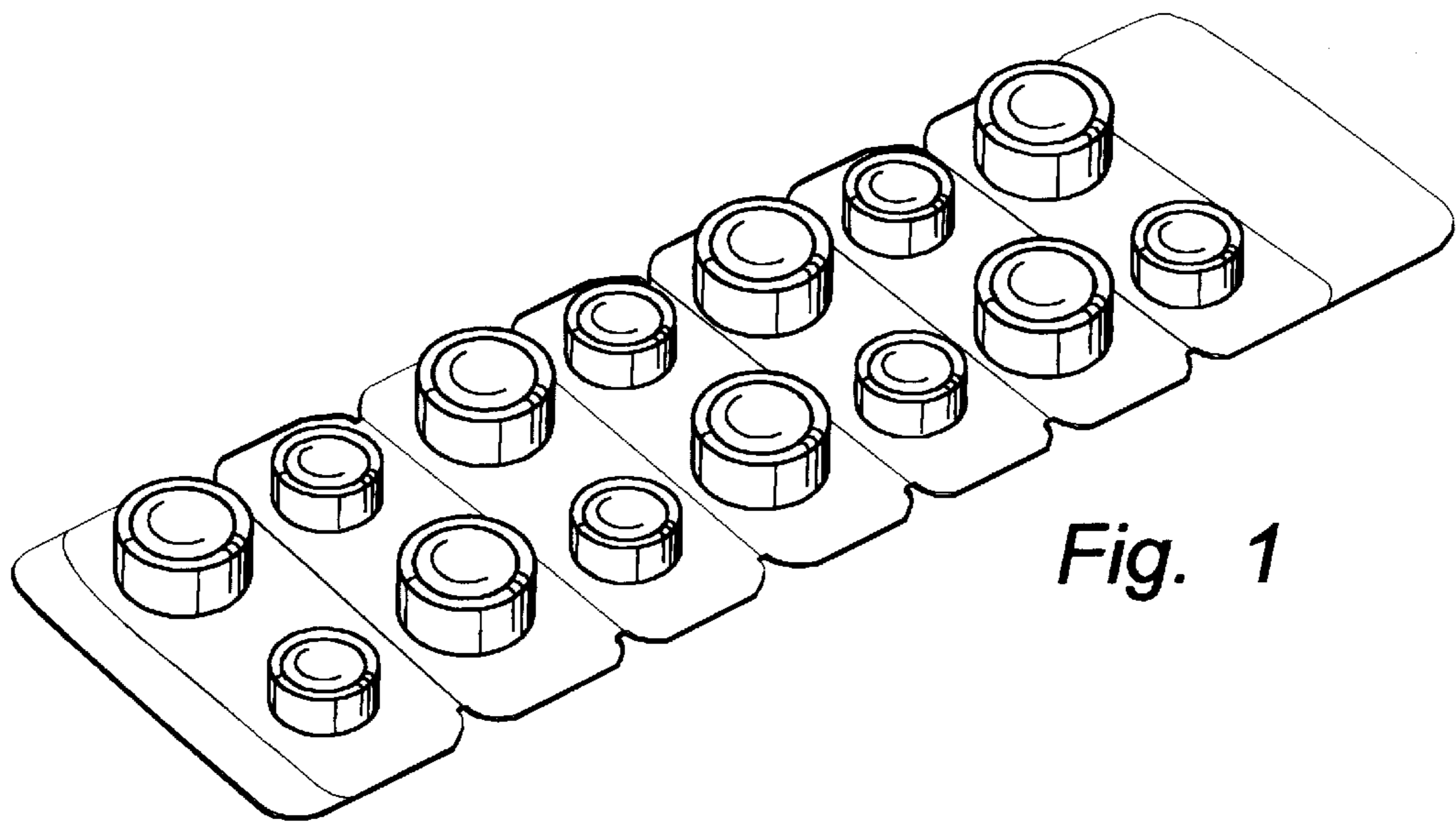
The ornamental design for a blister pack, as shown.

### DESCRIPTION

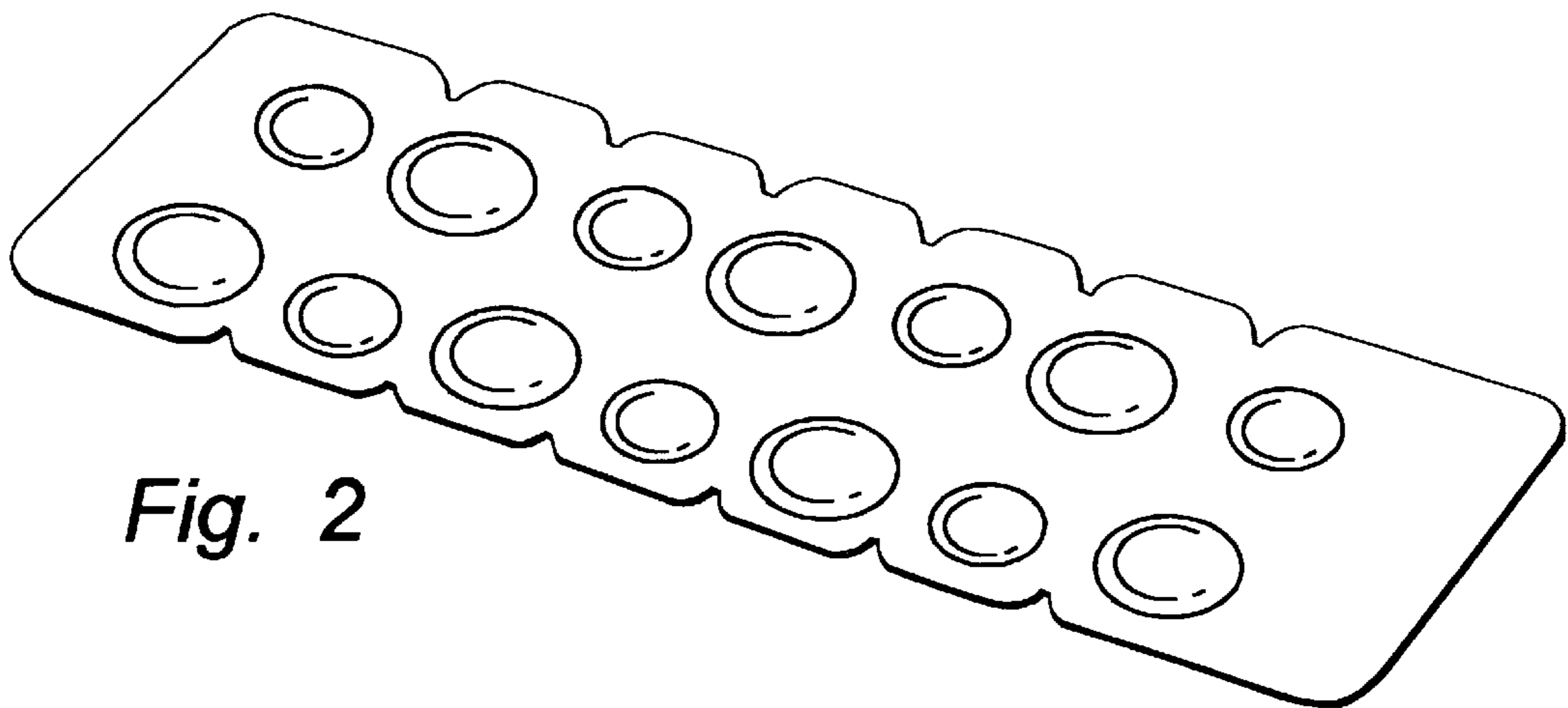
FIG. 1 is a top perspective view of the blister pack;  
FIG. 2 is a bottom perspective view of the blister pack;  
FIG. 3 is a side view showing the blister pack from one side;  
and,  
FIG. 4 is an end view showing the blister pack from one end.

**1 Claim, 1 Drawing Sheet**





*Fig. 1*



*Fig. 2*



*Fig. 3*



*Fig. 4*