



US00D421898S

United States Patent [19] Strange

[11] Patent Number: **Des. 421,898**

[45] Date of Patent: **** Mar. 28, 2000**

[54] **BAG AND BEVERAGE CUP HOLDER**

[76] Inventor: **Randall H. Strange**, 274 Portland Blvd., Lebanon, Ohio 45036

[**] Term: **14 Years**

[21] Appl. No.: **29/091,547**

[22] Filed: **Jul. 31, 1998**

[51] **LOC (6) Cl.** **09-03**

[52] **U.S. Cl.** **D9/341; D9/431**

[58] **Field of Search** D9/337, 341, 346-347, D9/414, 430-433; 206/194, 541, 549; 229/904, 117.14

[56] **References Cited**

U.S. PATENT DOCUMENTS

D. 186,554	11/1959	Tingley	D9/414
D. 267,475	1/1983	Maroszek et al.	D9/433
D. 271,944	12/1983	Wood	D9/432
2,225,822	12/1940	Crook	206/194
3,640,380	2/1972	Huffman	229/117.14
4,399,939	8/1983	Tunick	229/117.14
4,948,036	8/1990	Loughman	229/117.14
5,743,389	4/1998	Cutler et al.	229/117.14

Primary Examiner—James Gandy
Assistant Examiner—Carol Rademaker
Attorney, Agent, or Firm—Ralph J. Skinkiss

[57] **CLAIM**

The ornamental design for a bag and beverage cup holder, as shown and described.

DESCRIPTION

FIG. 1 is a perspective view of my new bag and beverage cup holder.

FIG. 2 is a right-end elevational view of the bag and beverage cup holder illustrated in FIG. 1.

FIG. 3 is a rear elevational view of the bag and beverage cup holder illustrated in FIG. 1.

FIG. 4 is a left-end elevational view of the bag and beverage cup holder illustrated in FIG. 1.

FIG. 5 is a front elevational view of the bag and beverage cup holder illustrated in FIG. 1.

FIG. 6 is a top plan view of the bag and beverage cup holder illustrated in FIG. 1.

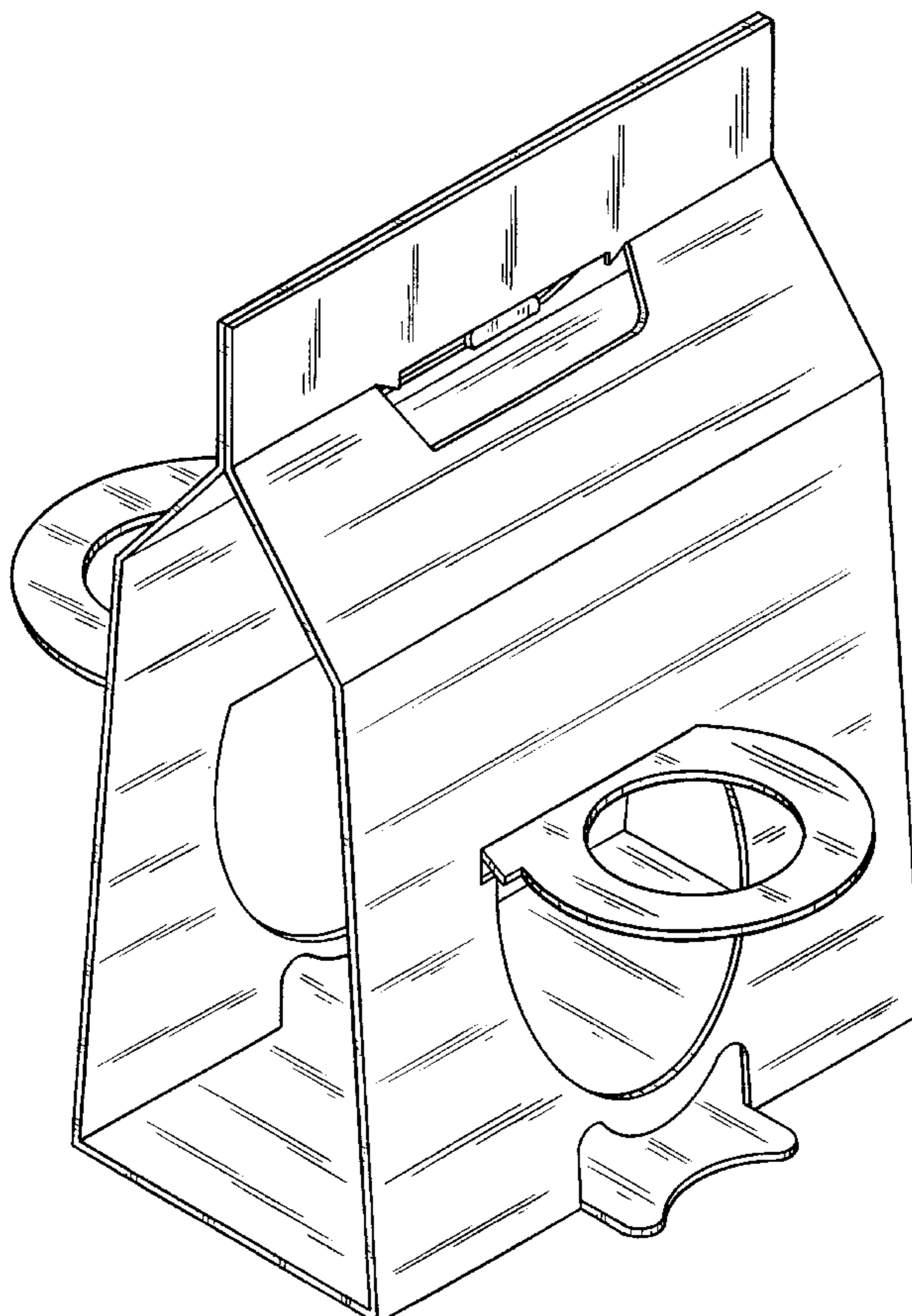
FIG. 7 is a bottom view of the bag and beverage cup holder illustrated in FIG. 1; and,

FIG. 8 is a perspective view of the bag and beverage cup holder showing a second embodiment of my new design, the sole difference being the inclusion of a partial side panel, it being understood that the opposite side is a mirror image thereof and the top and bottom are the same as the first embodiment shown in FIGS. 6 & 7.

The bag and cups shown in broken lines are not intended to be a part of my new design.

The broken line showing for the bag and cups in FIGS. 2-7 is for illustrative purposes only and forms no part of the claimed design.

1 Claim, 8 Drawing Sheets



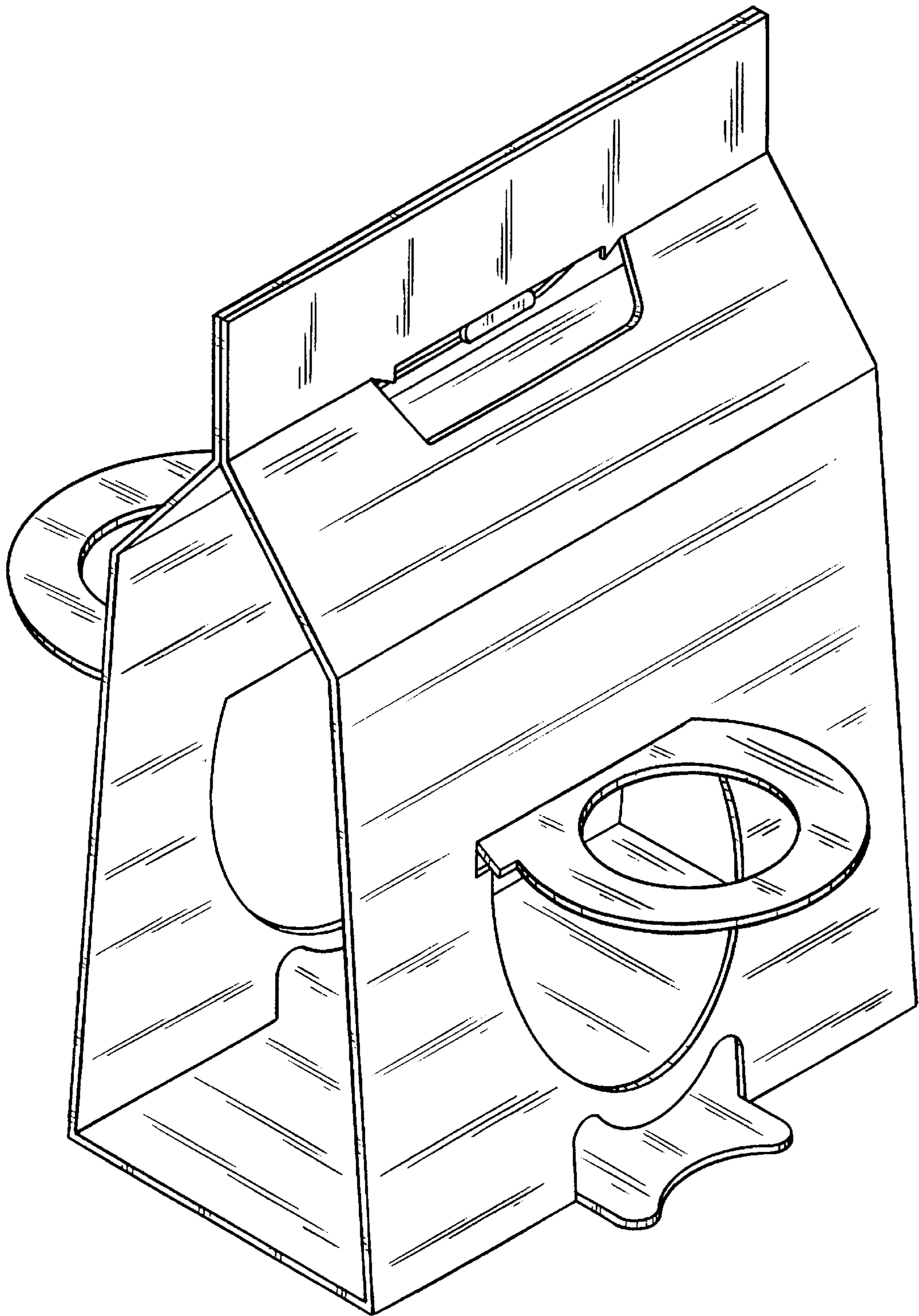
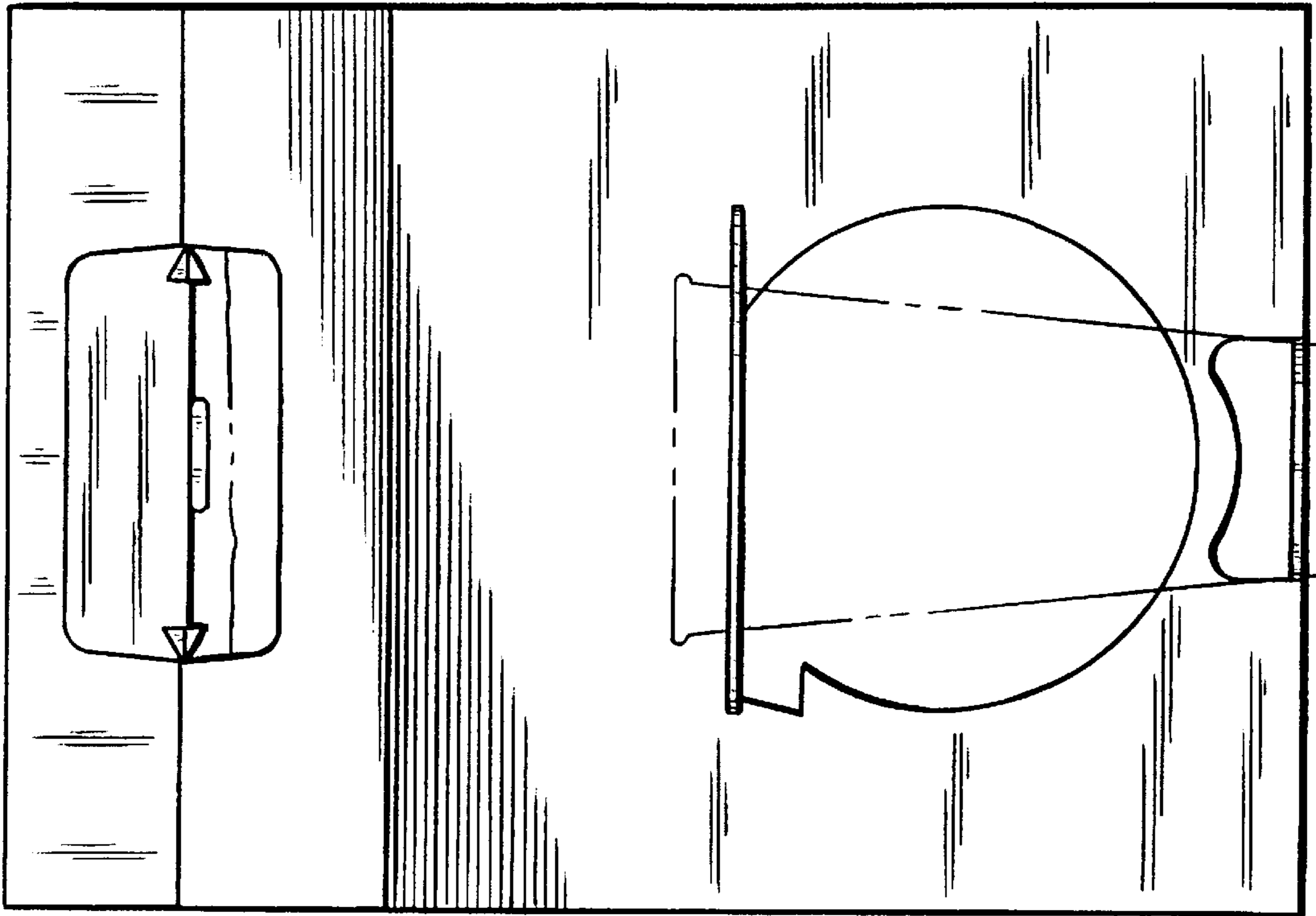


FIG. 1

FIG. 2



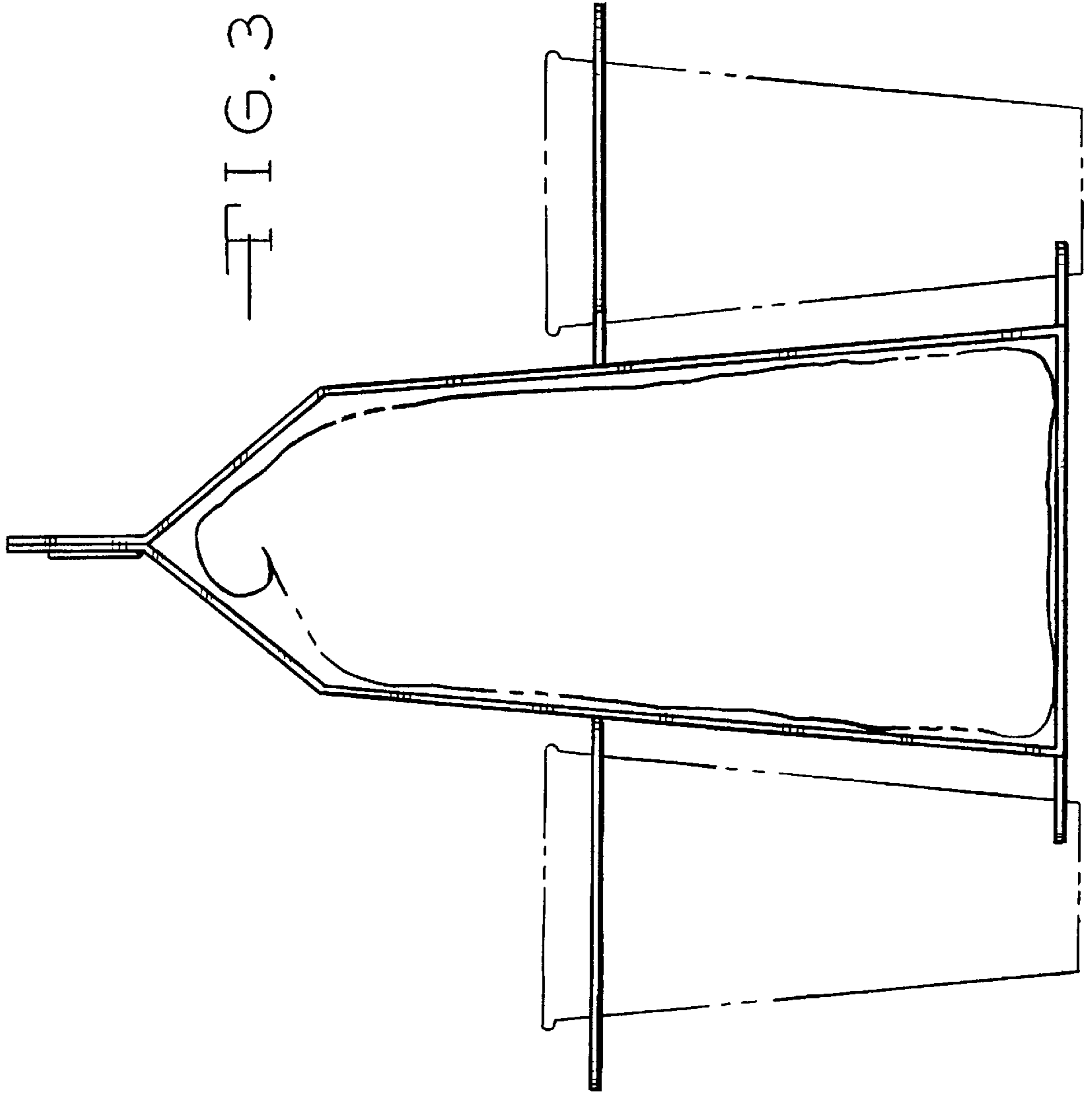


FIG. 4

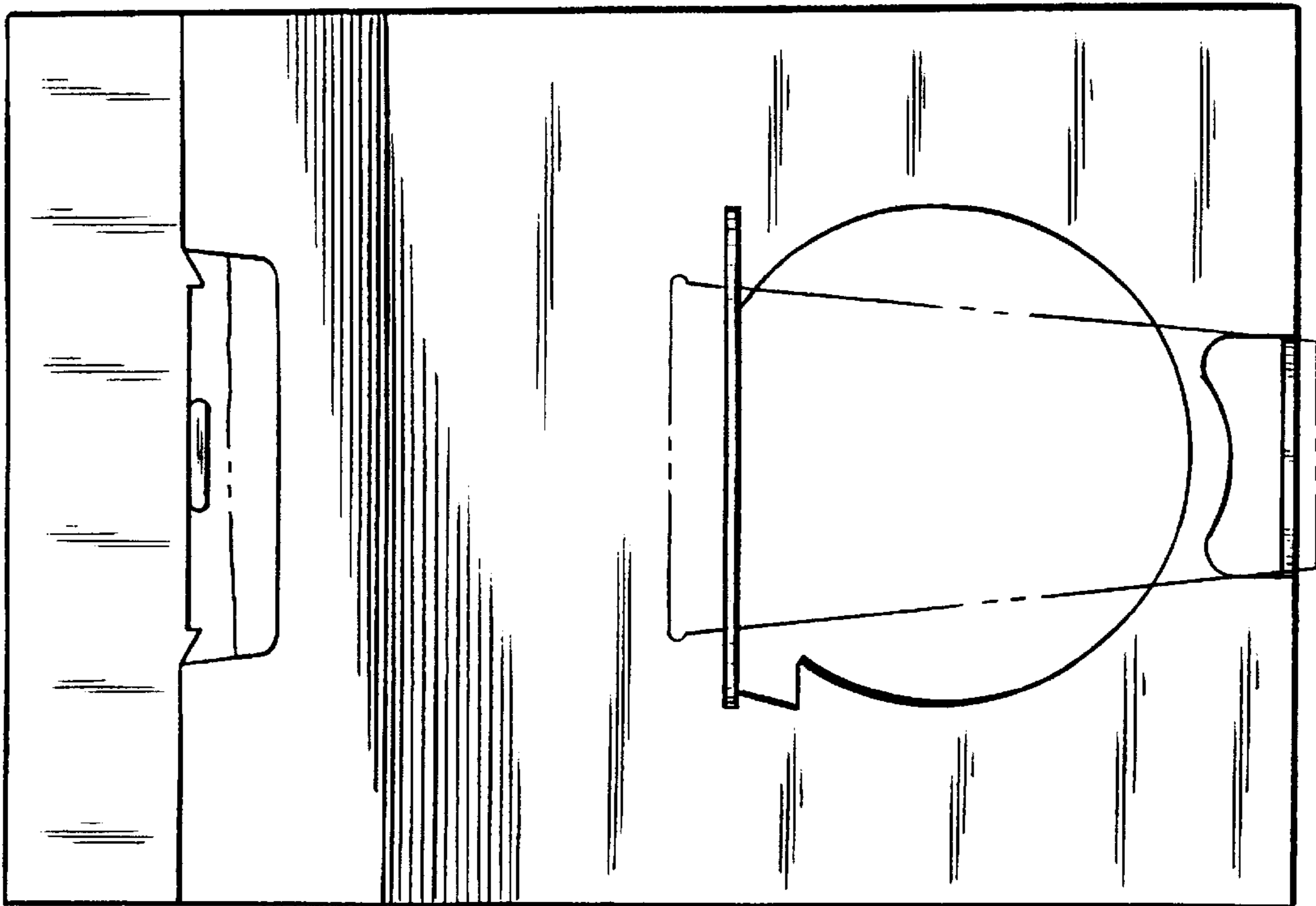
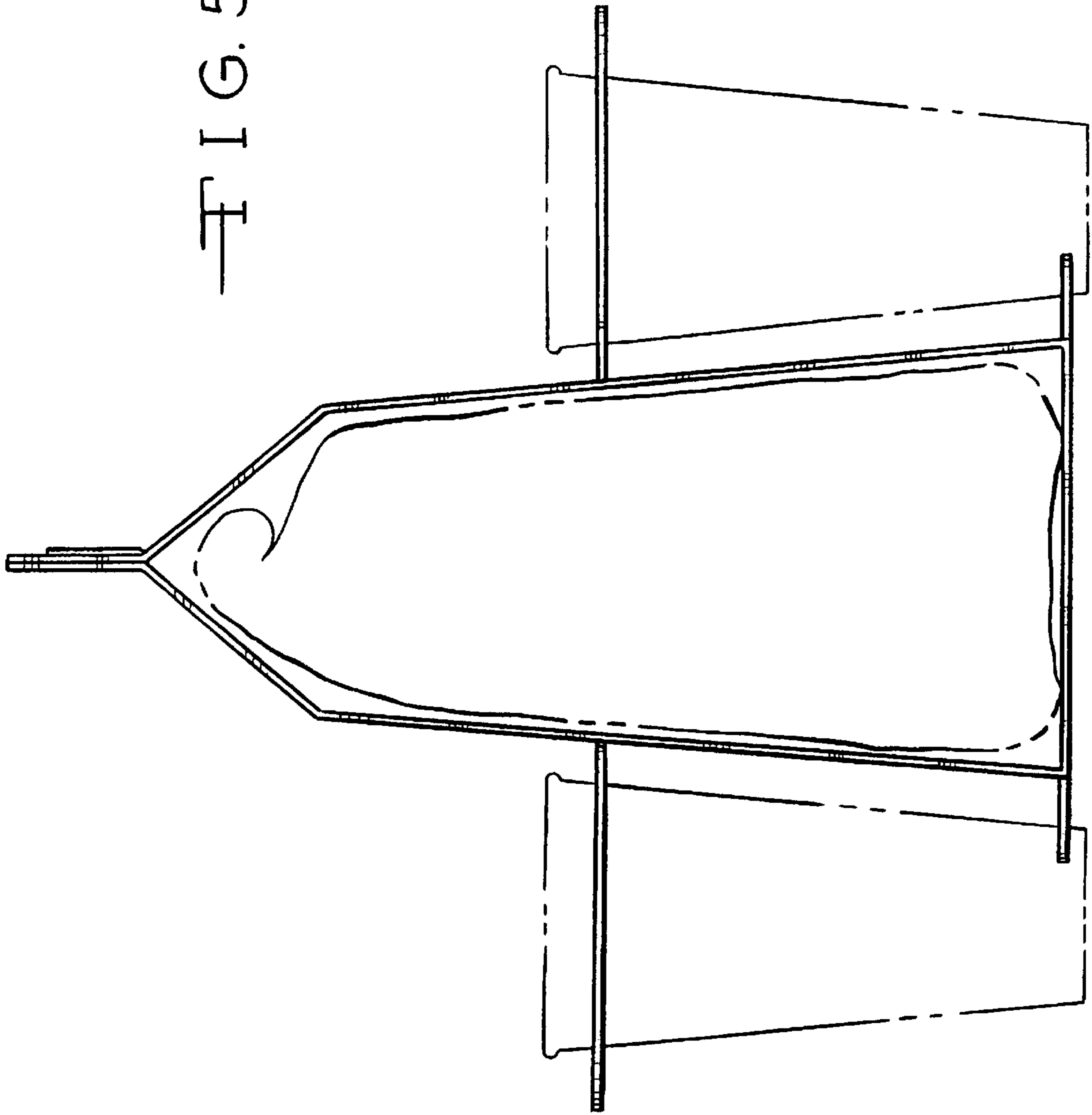


FIG. 5



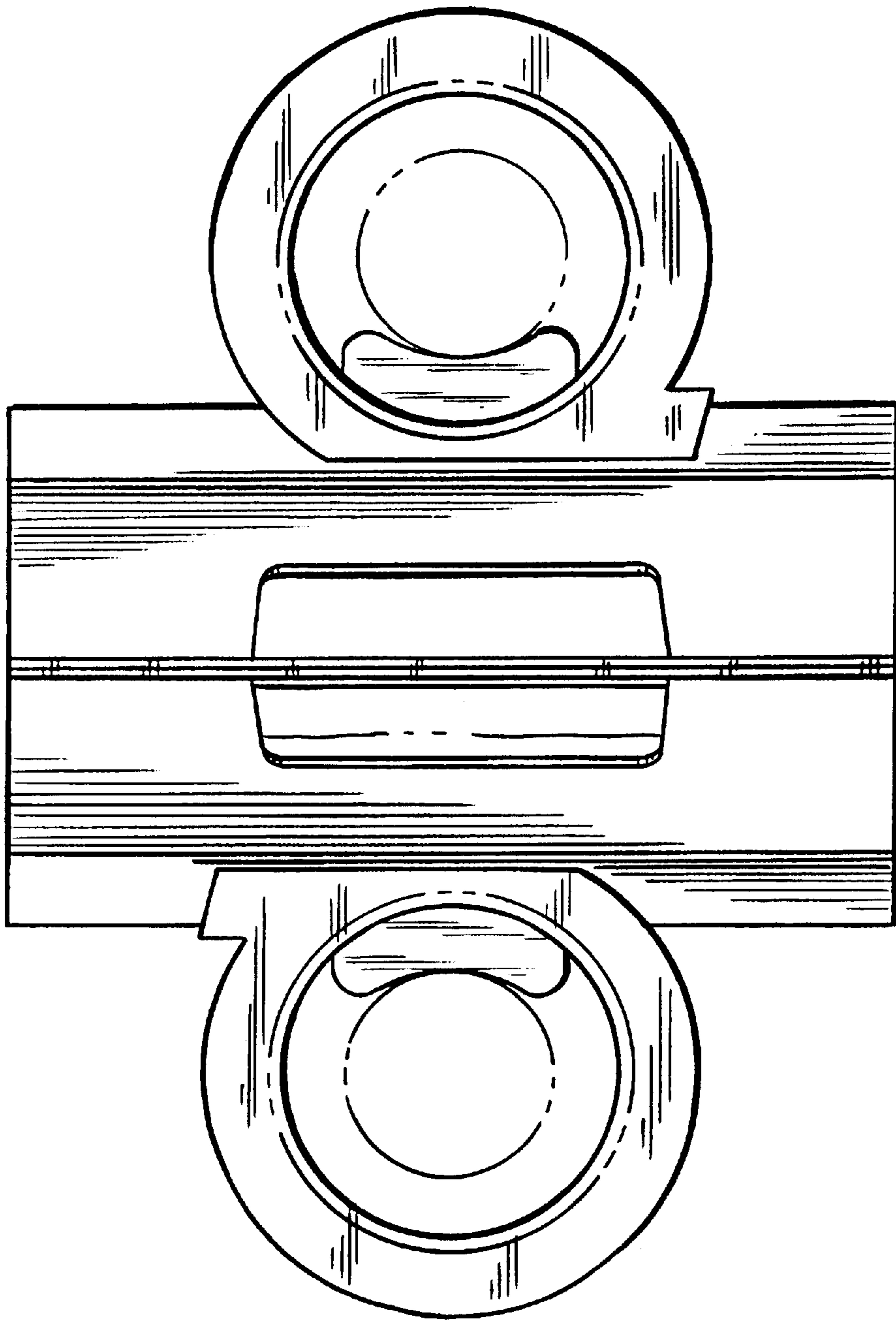


FIG. 6

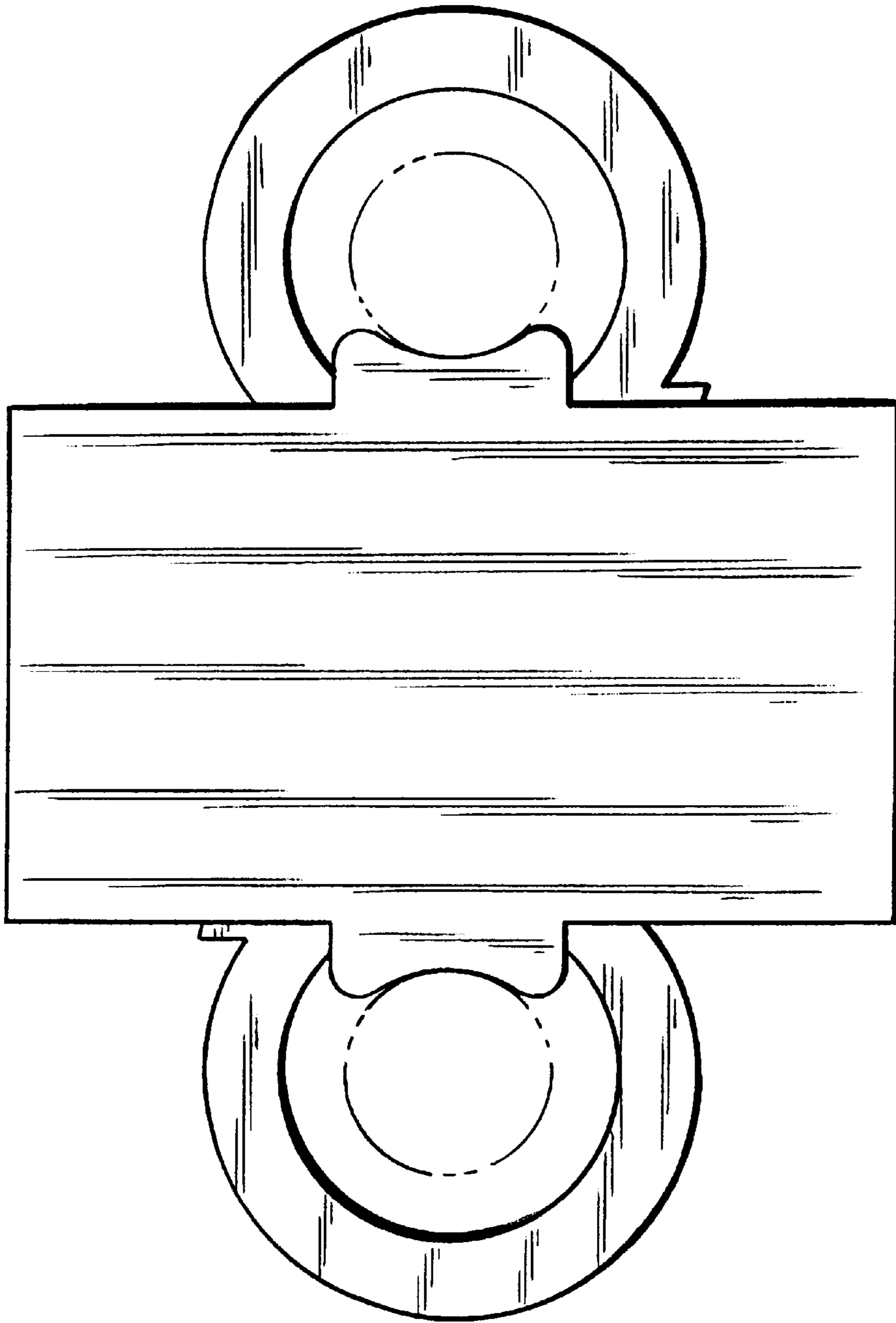


FIG. 7

FIG. 8

