



US00D421895S

United States Patent [19] Snell

[11] **Patent Number: Des. 421,895**

[45] **Date of Patent: ** Mar. 28, 2000**

[54] **FINIAL**

D. 410,377 1/1999 Bredemeier D8/363
D. 412,827 8/1999 Bredemeier D8/363

[75] Inventor: **Russell Benton Snell**, Shaker Heights, Ohio

Primary Examiner—Brian N. Vinson
Attorney, Agent, or Firm—D. Peter Hochberg; William H. Holt

[73] Assignee: **InterDesign, Inc.**, Solon, Ohio

[**] Term: **14 Years**

[57] **CLAIM**

The ornamental design for a finial, as shown and described.

[21] Appl. No.: **29/107,102**

DESCRIPTION

[22] Filed: **Jun. 25, 1999**

[51] **LOC (6) Cl. 08-05**

[52] **U.S. Cl. D8/378**

[58] **Field of Search** D8/373, 376, 378;
248/188.9, 261-262; 160/349.1, 349.2

FIG. 1 is a top, front, and right side perspective view of a finial showing my new design;
FIG. 2 is a left side elevational view thereof;
FIG. 3 is a top plan view thereof;
FIG. 4 is a right side elevational view thereof; and,
FIG. 5 is a front elevational view thereof.

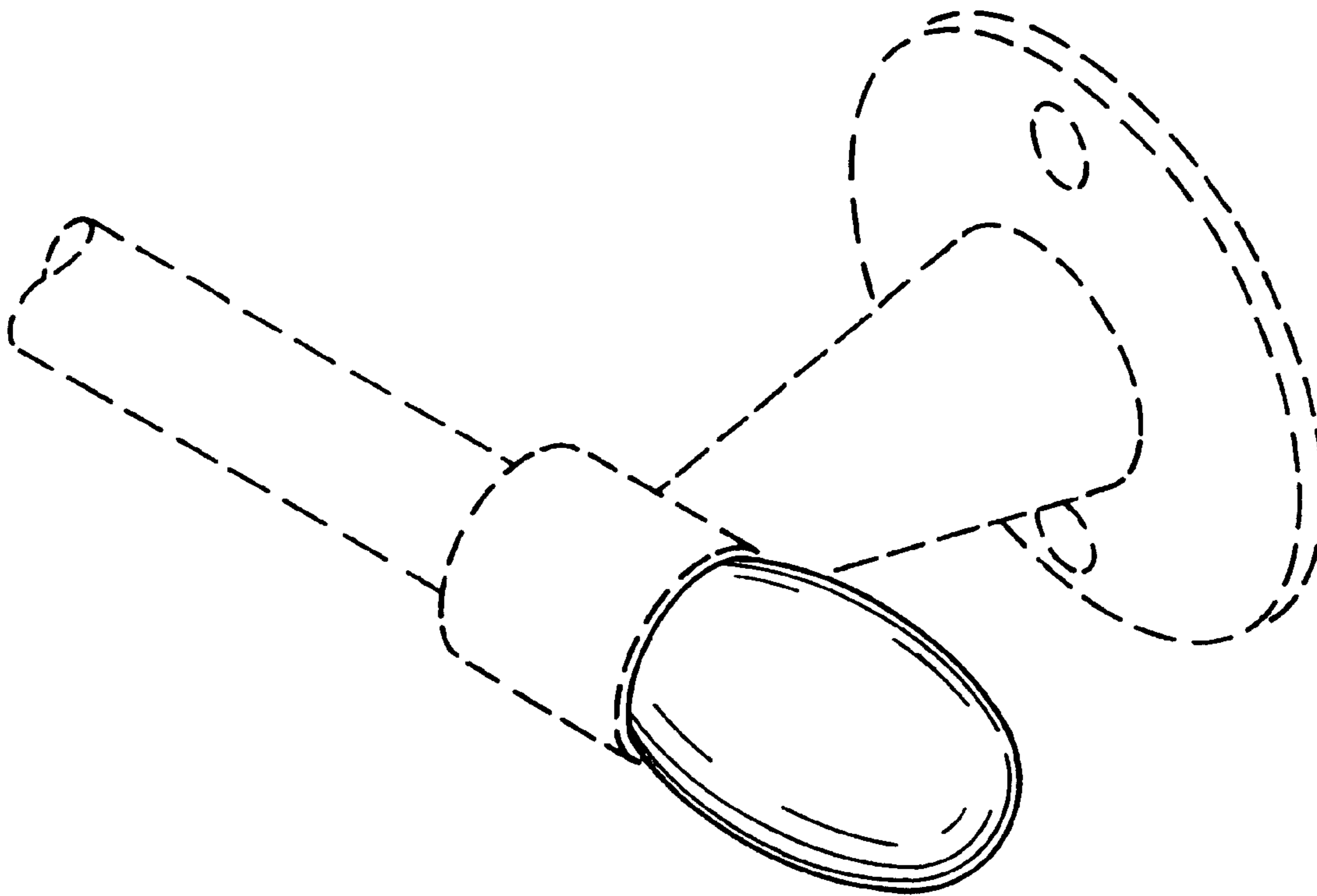
[56] **References Cited**

The fragmentary broken-line disclosure of a towel bar and bracket in the views are for illustrative purposes only and form no part of the claimed design.

U.S. PATENT DOCUMENTS

D. 072,258 3/1927 Hofman D8/376
D. 327,421 6/1992 Pagan D8/376

1 Claim, 1 Drawing Sheet



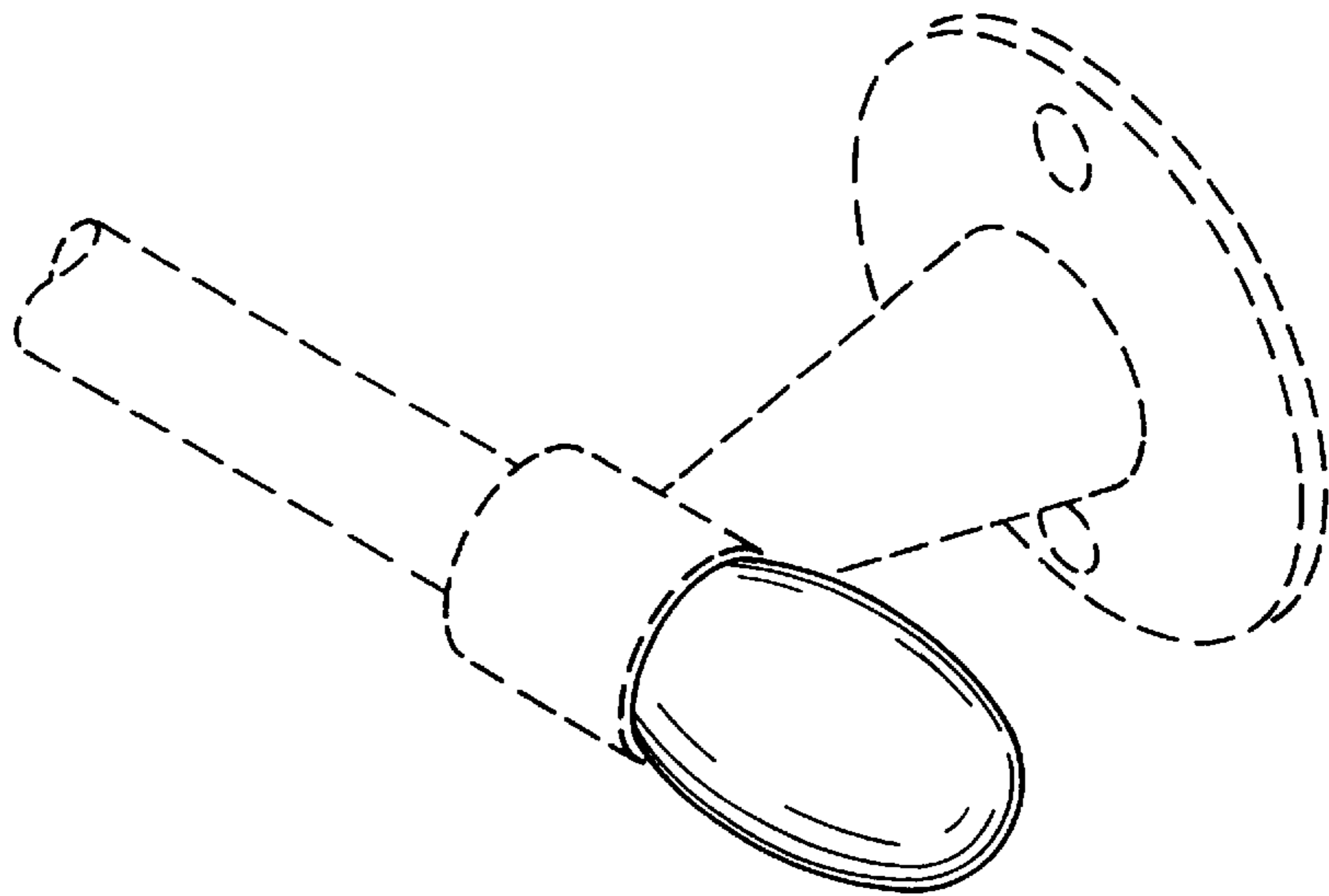


FIG. 1

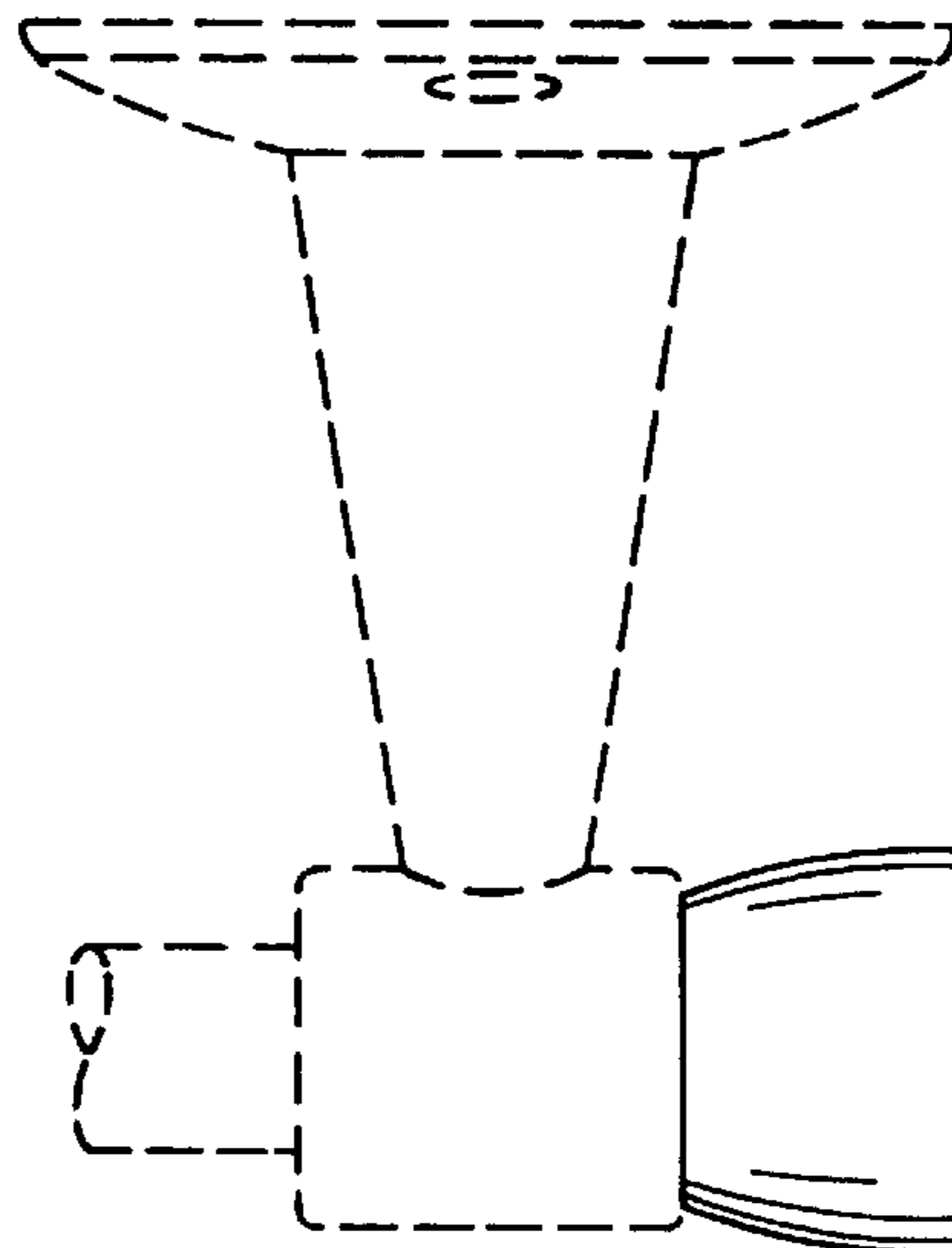


FIG. 3

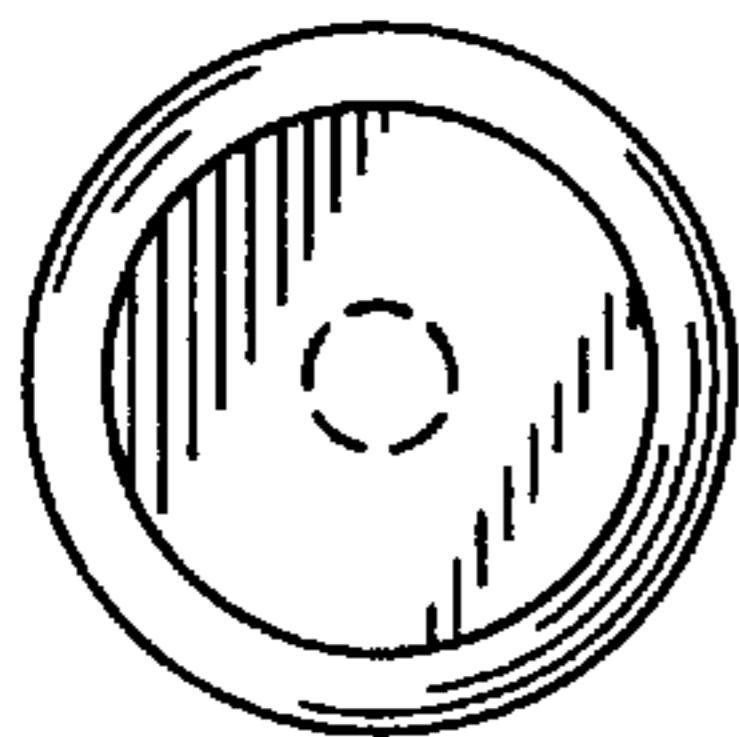


FIG. 2

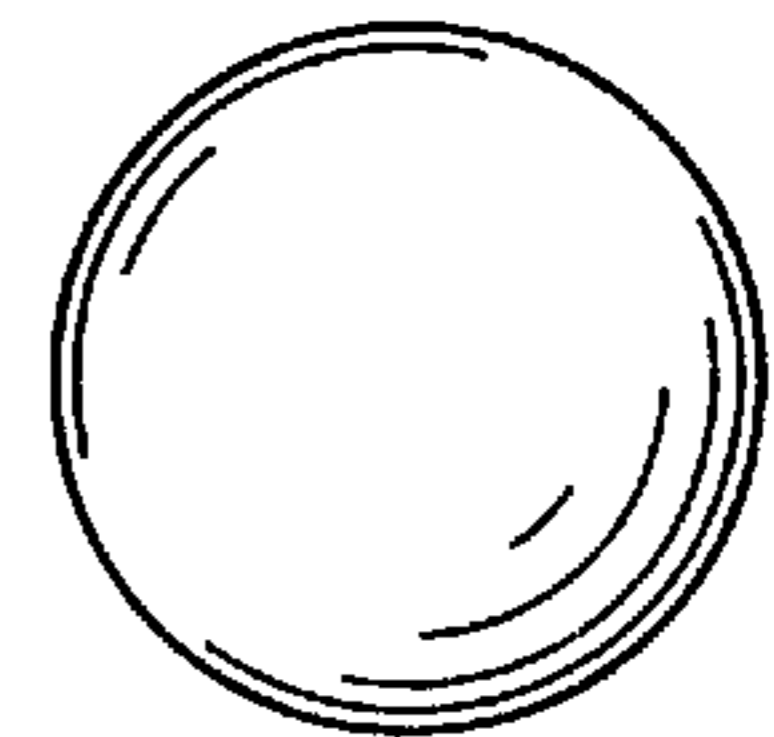


FIG. 4

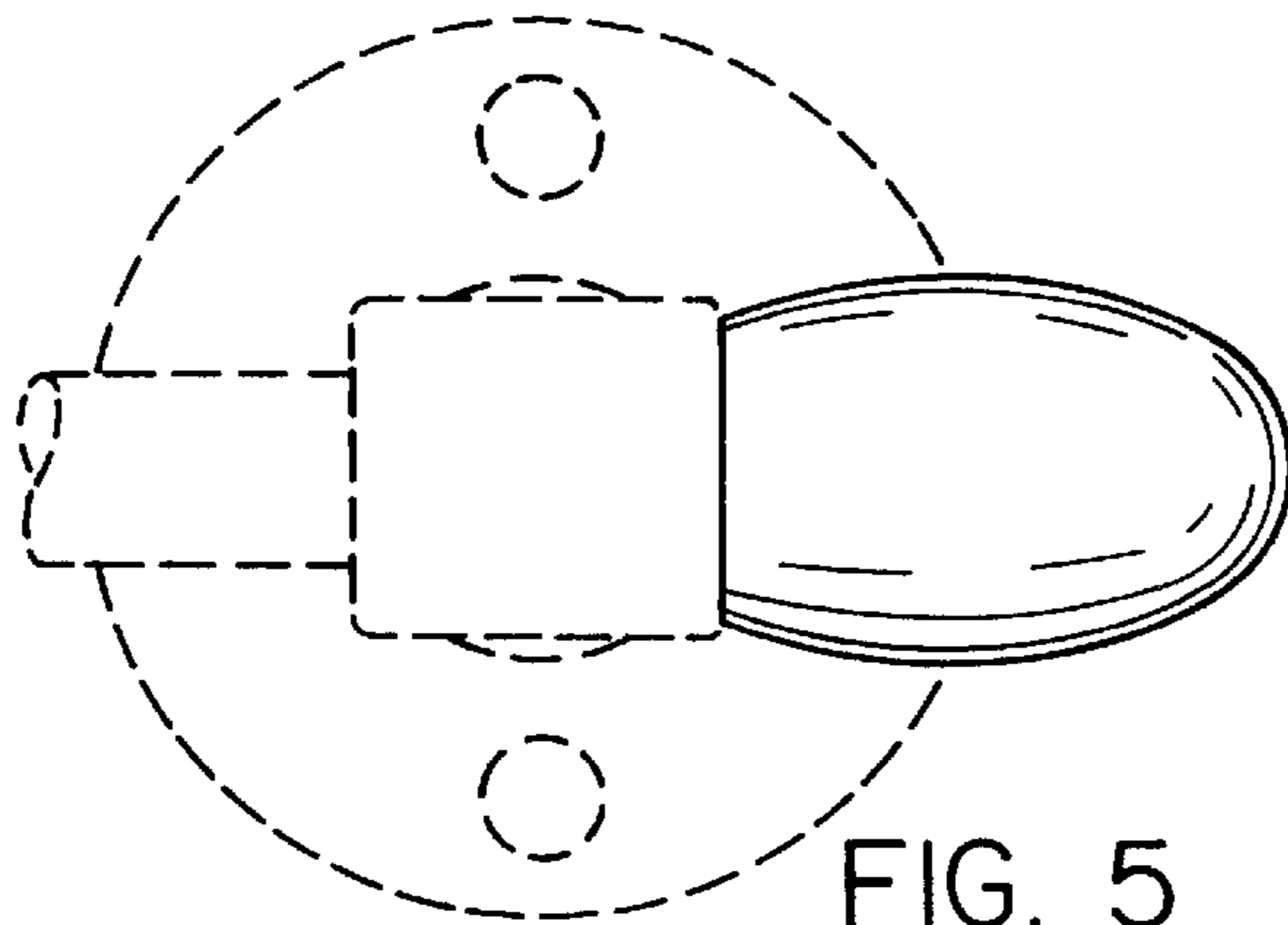


FIG. 5