



US00D421893S

United States Patent [19]

Weinerman et al.

[11] Patent Number: **Des. 421,893**

[45] Date of Patent: **** Mar. 28, 2000**

[54] **STRIKER HOUSING FOR LATCHES AND LOCKS**

[75] Inventors: **Lee S. Weinerman**, Medina; **Scott A. Arthurs**, Brunswick, both of Ohio

[73] Assignee: **The Eastern Company**, Cleveland, Ohio

[**] Term: **14 Years**

[21] Appl. No.: **29/097,280**

[22] Filed: **Dec. 3, 1998**

[51] **LOC (6) Cl.** **08-07**

[52] **U.S. Cl.** **D8/344; D8/343; D8/346**

[58] **Field of Search** **D8/330, 331, 343, D8/344, 346; 70/431, 448, 210, DIG. 34, 158, 208; 292/1, 146, 340, 341.14, 341.18, DIG. 11, DIG. 55**

[56] **References Cited**

U.S. PATENT DOCUMENTS

D. 303,754	10/1989	Weinerman et al.	D8/344
927,824	7/1909	Welch	292/146
2,370,781	3/1945	Cullum	292/341.18
3,191,244	6/1965	Burke	20/92.4
3,251,619	5/1966	Schlage	292/341.18
3,464,729	9/1969	Chambers	292/218
4,014,572	3/1977	Binns	292/108

4,113,293	9/1978	Paquette	292/341.18
4,457,146	7/1984	Weinerman	70/100
4,498,694	2/1985	Warwick	292/337
4,503,692	3/1985	Grint	70/418
4,505,504	3/1985	Matzkin et al.	292/337
4,507,010	3/1985	Fujiya	403/322
4,598,940	7/1986	Degroat	292/108
4,624,491	11/1986	Vincent	292/201
4,841,755	6/1989	Weinerman et al.	70/208
5,257,841	11/1993	Geringer et al.	292/340

Primary Examiner—Susan J. Lucas
Assistant Examiner—Jennifer Rivard
Attorney, Agent, or Firm—David A. Burge

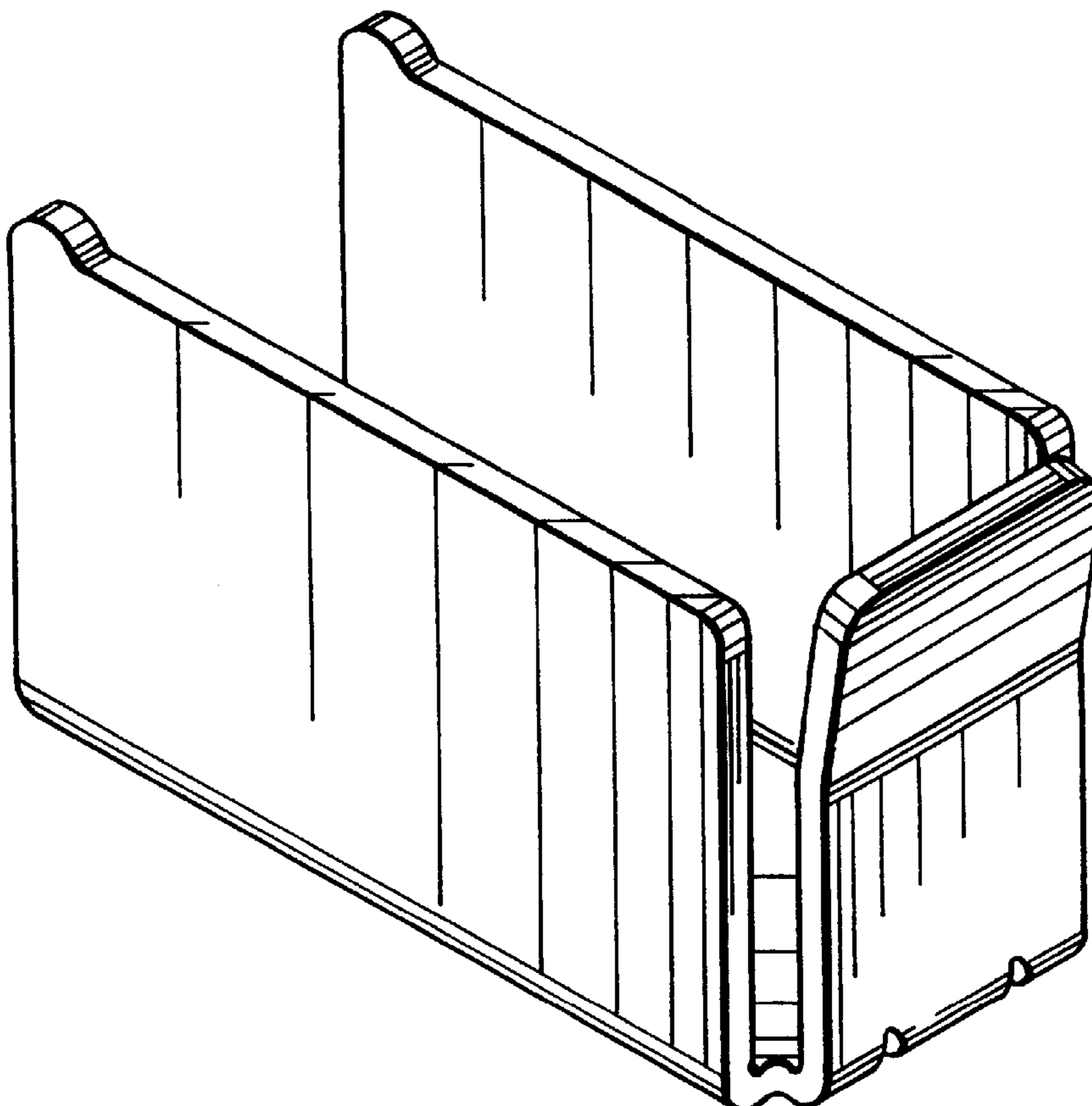
[57] **CLAIM**

We claim the ornamental design for a striker housing for latches and locks, as shown and described.

DESCRIPTION

FIG. 1 is a perspective view of a striker housing for latch and lock;
FIG. 2 is an elevational view of one side thereof, it being understood that the opposite side has a mirror-image appearance, reversed left-to-right;
FIG. 3 is a top plan view thereof;
FIG. 4 is a bottom plan view thereof;
FIG. 5 is an elevational view of one end thereof; and,
FIG. 6 is an elevational view of the opposite end thereof.

1 Claim, 2 Drawing Sheets



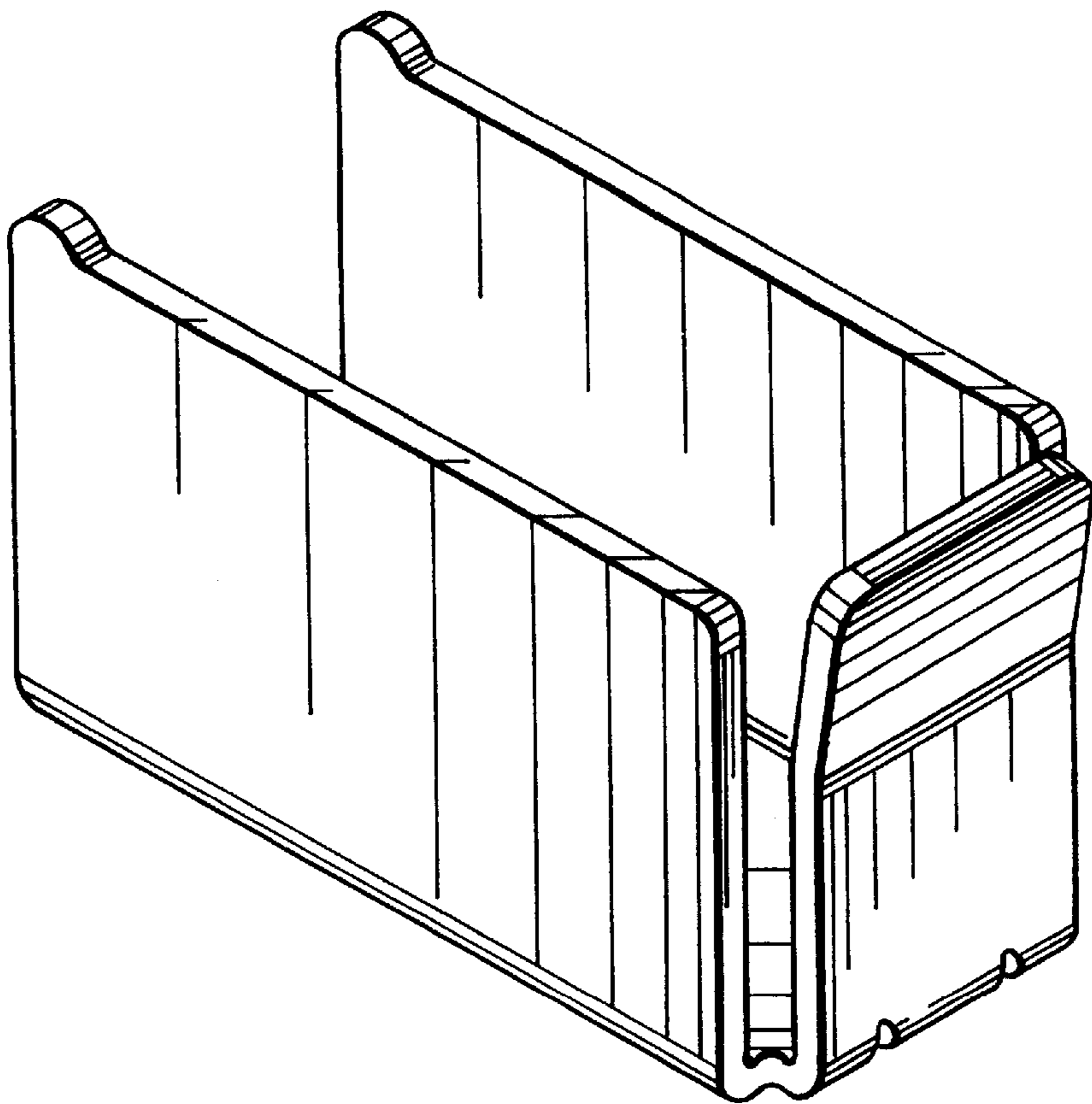


FIG. 1

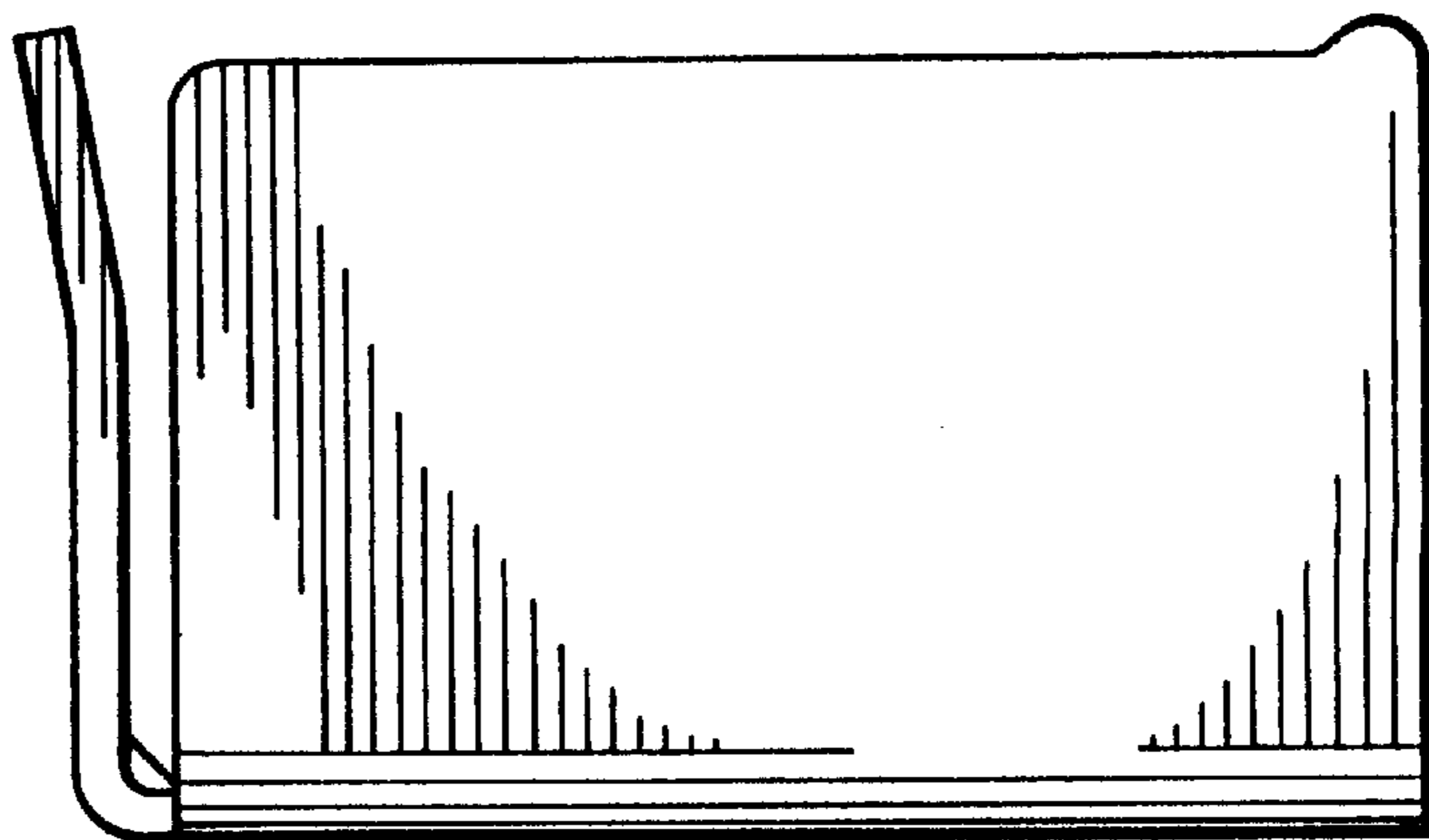


FIG. 2

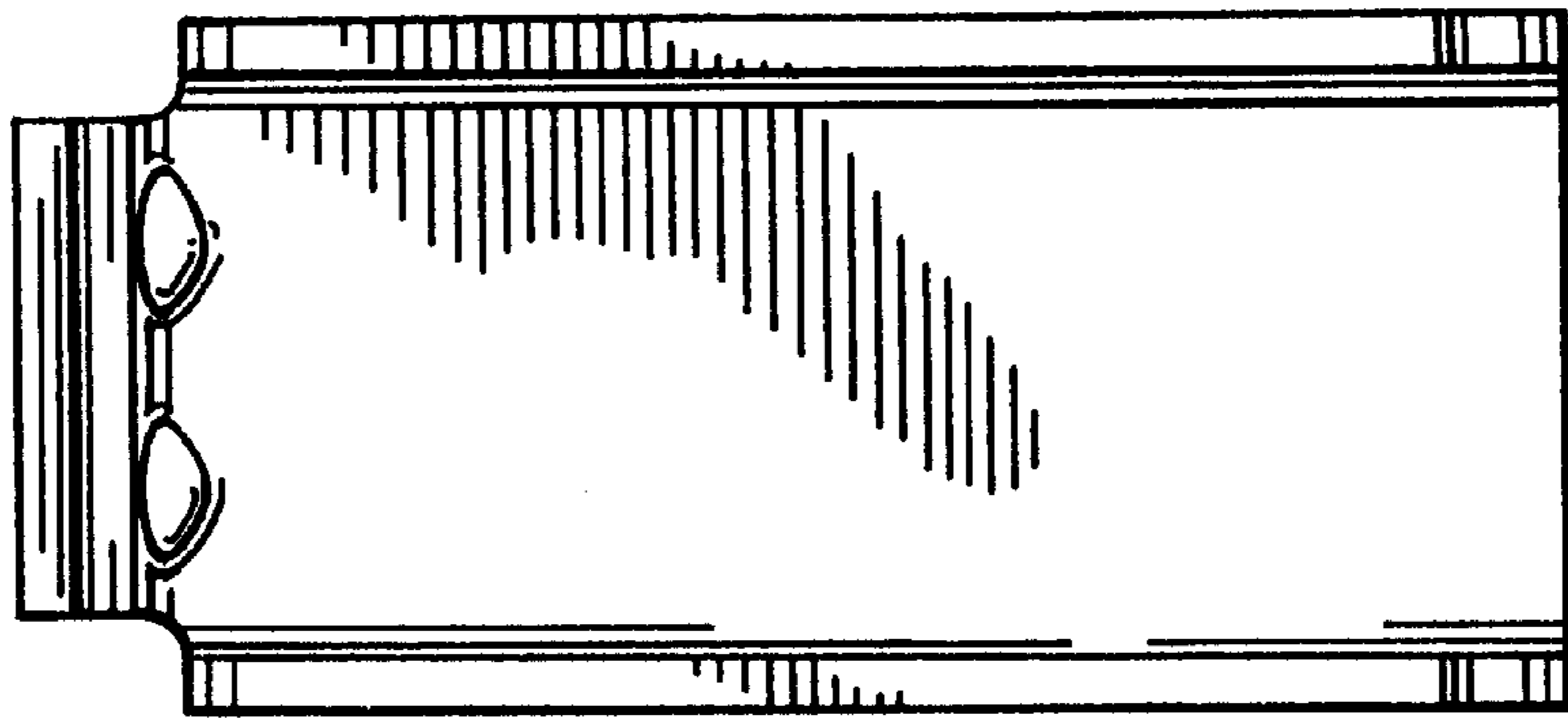


FIG. 3

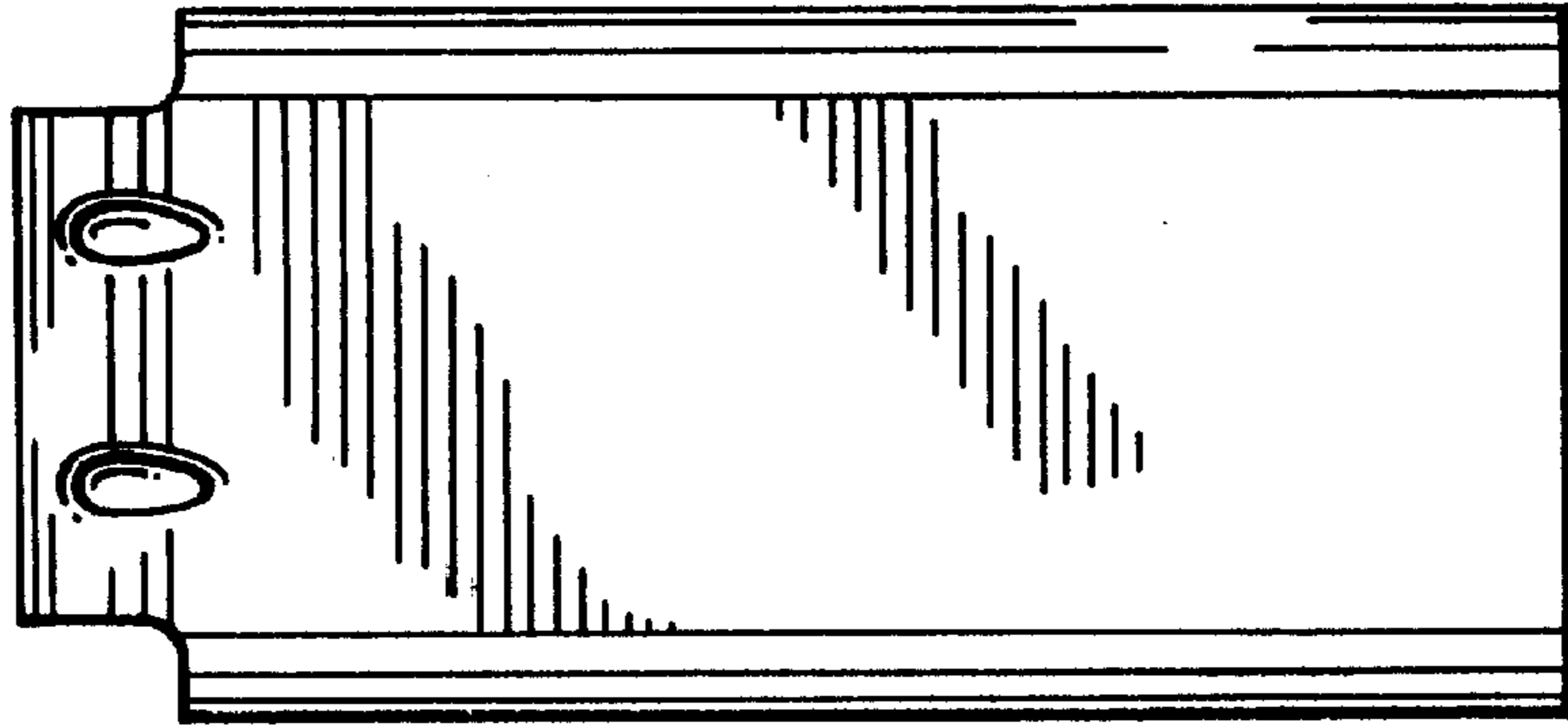


FIG. 4

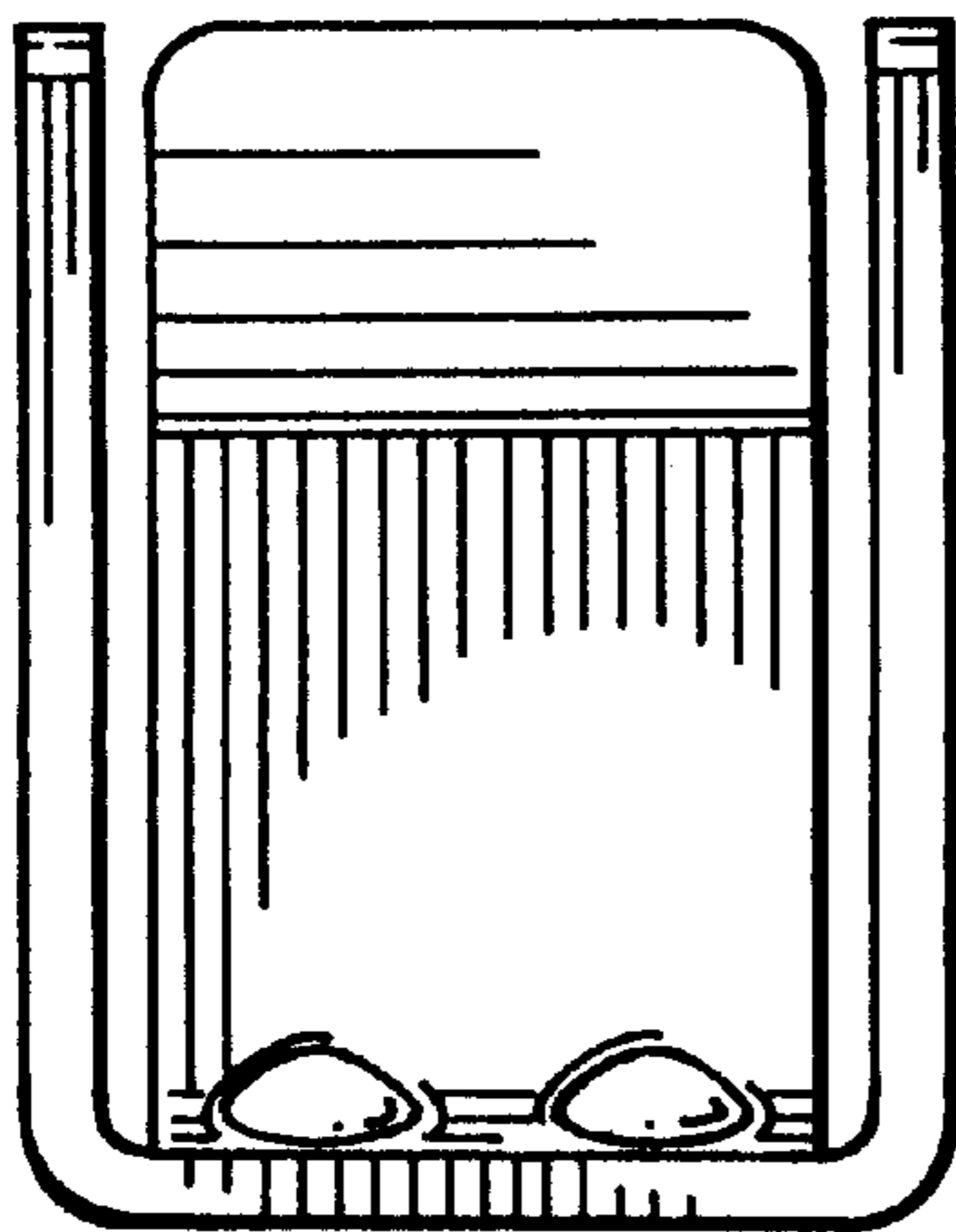


FIG. 5

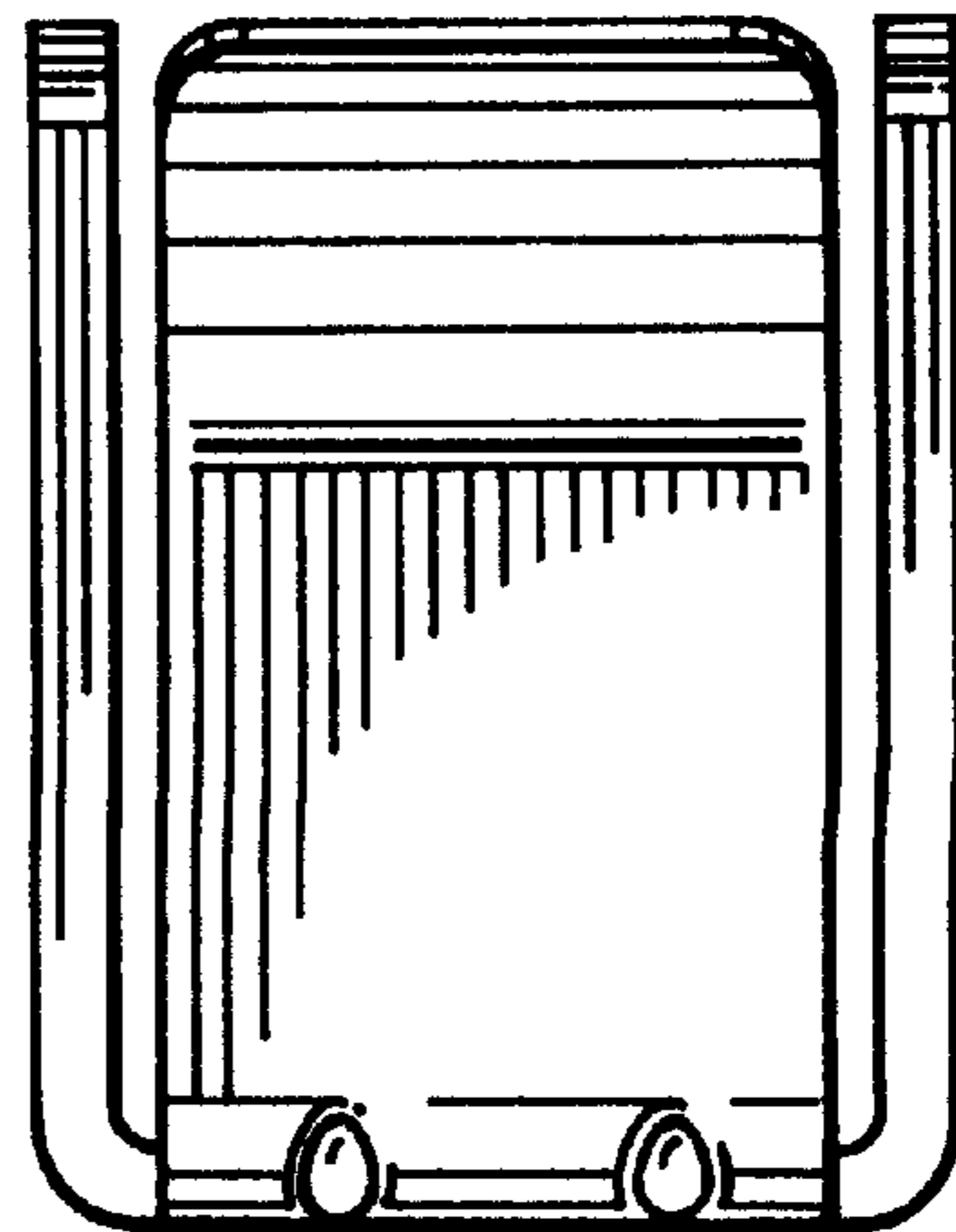


FIG. 6