



US00D421887S

United States Patent [19] Hung

[11] **Patent Number: Des. 421,887**

[45] **Date of Patent: ** Mar. 28, 2000**

[54] **SCREWDRIVER**

[75] **Inventor: Kun-Chih Hung, Taichung Hsien, Taiwan**

[73] **Assignee: Sopa International Co., Ltd., Taichung Hsien, Taiwan**

[**] **Term: 14 Years**

[21] **Appl. No.: 29/103,714**

[22] **Filed: Apr. 20, 1999**

[51] **LOC (6) Cl. 08-04**

[52] **U.S. Cl. D8/83; D8/82**

[58] **Field of Search D8/82, 83, 84, D8/85, 86, 87, 107; 81/436, 437, 438, 439, 440, 177.1; 16/110 R**

[56] **References Cited**

U.S. PATENT DOCUMENTS

D. 312,563 12/1990 Hillinger D8/83

- D. 358,316 5/1995 Markwart et al. D8/82
- D. 363,012 10/1995 Humphries D8/83
- D. 376,305 12/1996 Kung D8/87
- D. 404,277 1/1999 Shiao D8/83
- D. 405,335 2/1999 Lin D8/82
- D. 412,096 7/1999 Kung et al. D8/87

Primary Examiner—Philip S. Hyder
Attorney, Agent, or Firm—Rosenberg, Klein & Lee

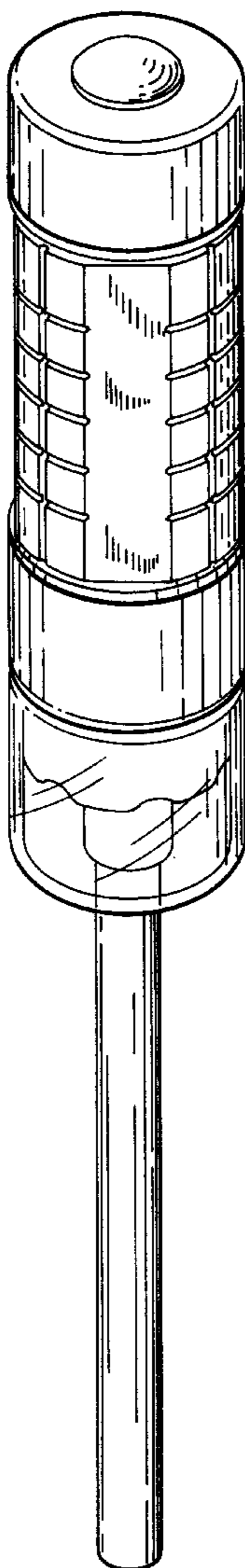
[57] **CLAIM**

The ornamental design for a screwdriver, as shown and described.

DESCRIPTION

FIG. 1 is a perspective view of a screwdriver showing my invention;
FIG. 2 is a front elevational view thereof; wherein the rear, the right side, and the left side views are identical thereto;
FIG. 3 is a top view thereof; and,
FIG. 4 is a bottom view thereof.

1 Claim, 3 Drawing Sheets



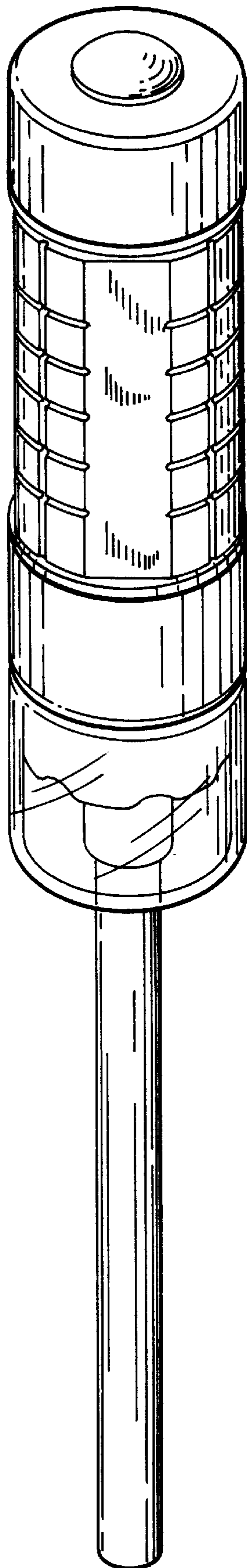


FIG .1

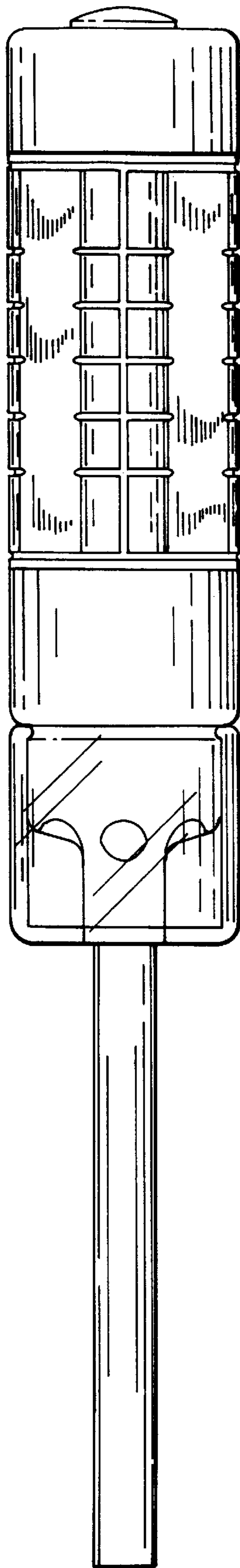


FIG. 2

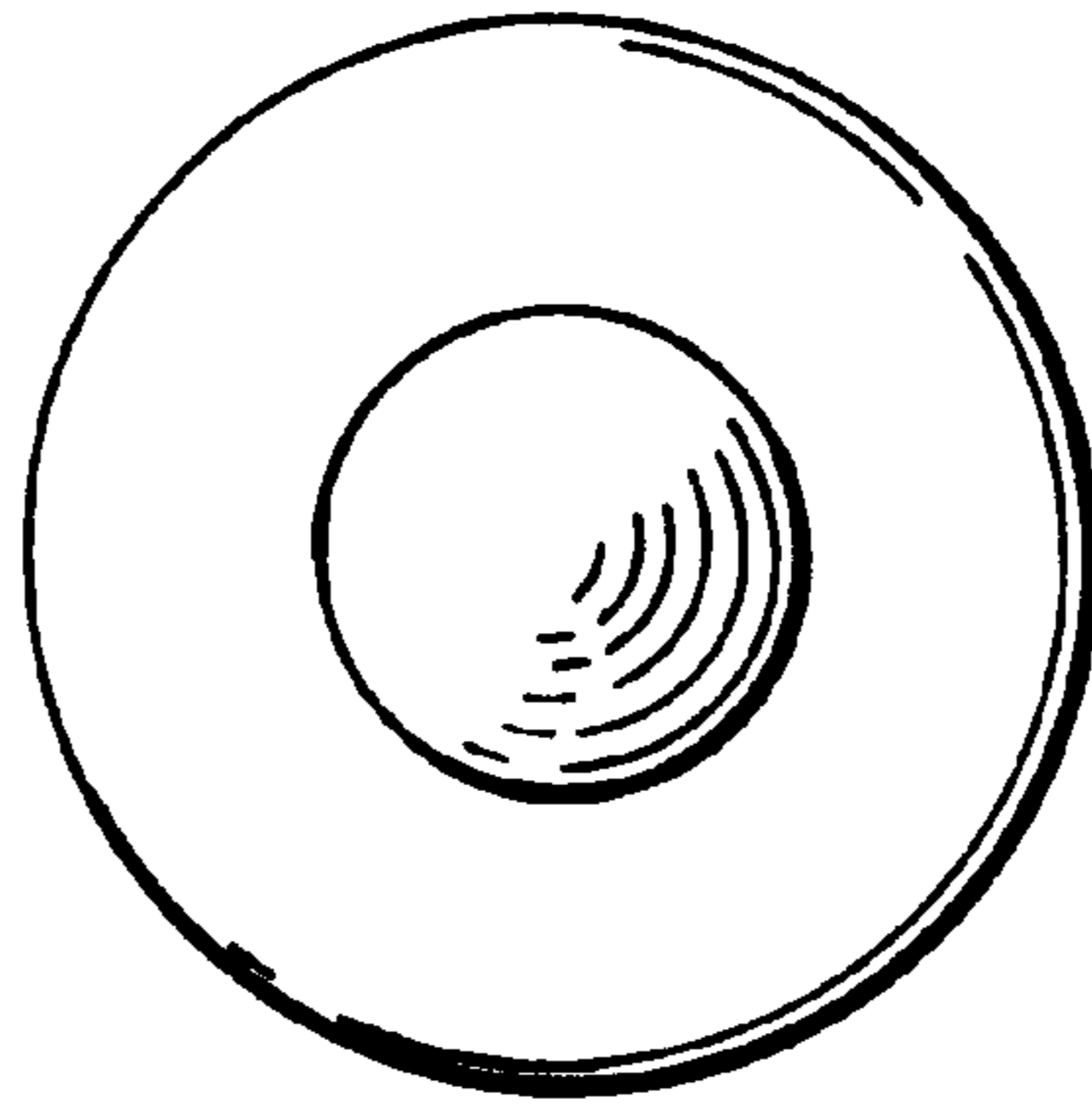


FIG . 3

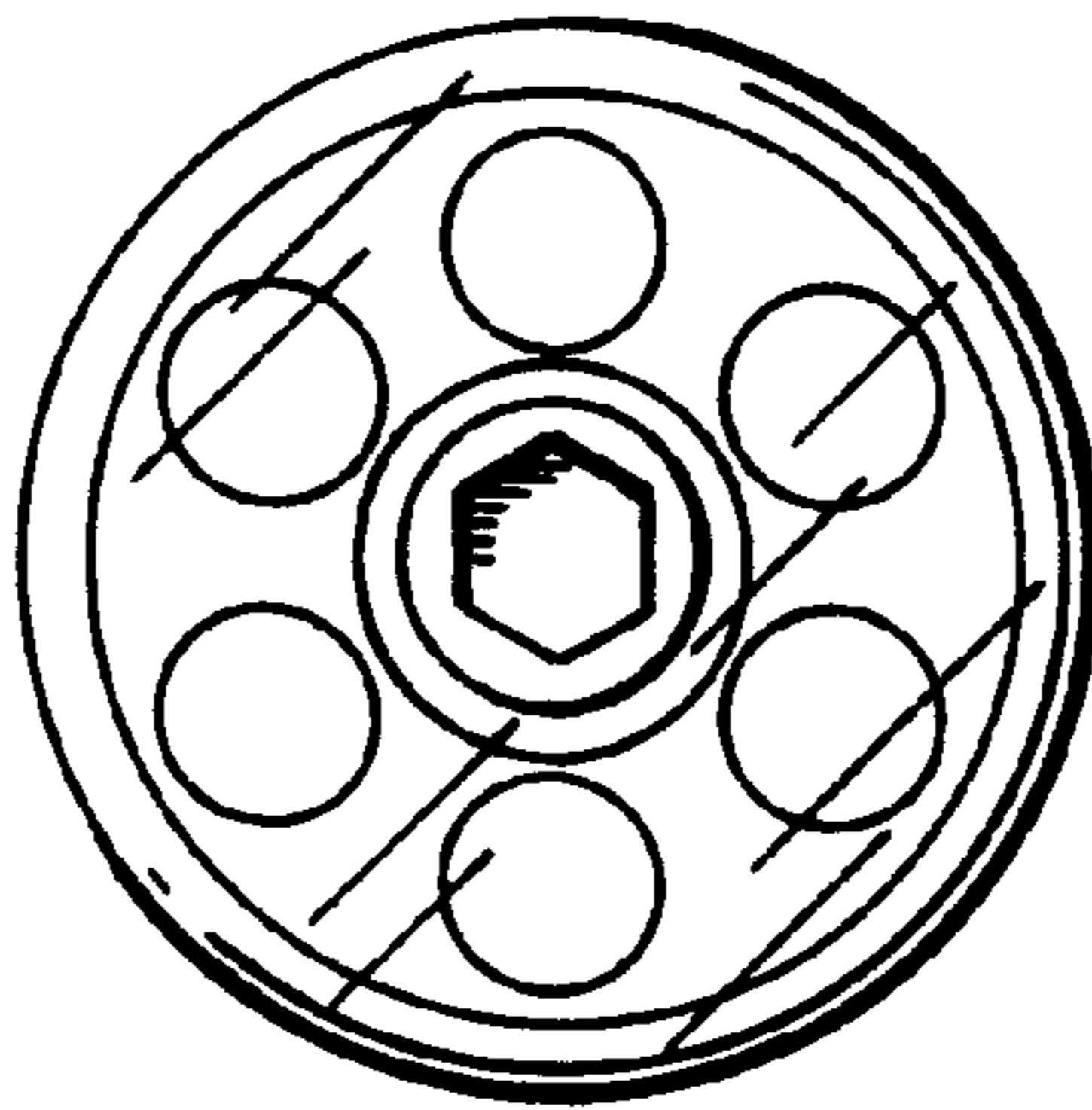


FIG . 4