



US00D421885S

# United States Patent [19]

Zurwelle et al.

[11] Patent Number: **Des. 421,885**

[45] Date of Patent: **\*\* Mar. 28, 2000**

[54] **HOUSING FOR A CIRCULAR SAW**

[75] Inventors: **Donald W. Zurwelle**, Lutherville, Md.;  
**Bruce M. Waters**, Lancaster, Pa.;  
**Brand Hollinger**, Lancaster, Pa.;  
**Meyric K. Rogers**, Lancaster, Pa.

[73] Assignee: **Black & Decker Inc.**, Newark, Del.

[\*\*] Term: **14 Years**

[21] Appl. No.: **29/096,998**

[22] Filed: **Nov. 24, 1998**

### Related U.S. Application Data

[62] Division of application No. 29/083,521, Feb. 6, 1998, Pat. No. Des. 408,248.

[51] **LOC (6) Cl.** ..... **08-05**

[52] **U.S. Cl.** ..... **D8/70; D8/66**

[58] **Field of Search** ..... D8/61, 66, 67,  
D8/68, 69; 30/388-392, 375-377

### [56] References Cited

#### U.S. PATENT DOCUMENTS

D. 327,828 7/1992 Hoshino et al. .... D8/66

D. 329,363 9/1992 Sasaki et al. .... D8/66  
D. 332,735 1/1993 Fushiya et al. .... D8/66  
D. 378,488 3/1997 Ito et al. .... D8/66  
D. 400,772 11/1998 Gallagher et al. .... D8/66  
D. 408,248 4/1999 Zurwelle ..... D8/66

*Primary Examiner*—Nelson C. Holtje  
*Attorney, Agent, or Firm*—Adan Ayala

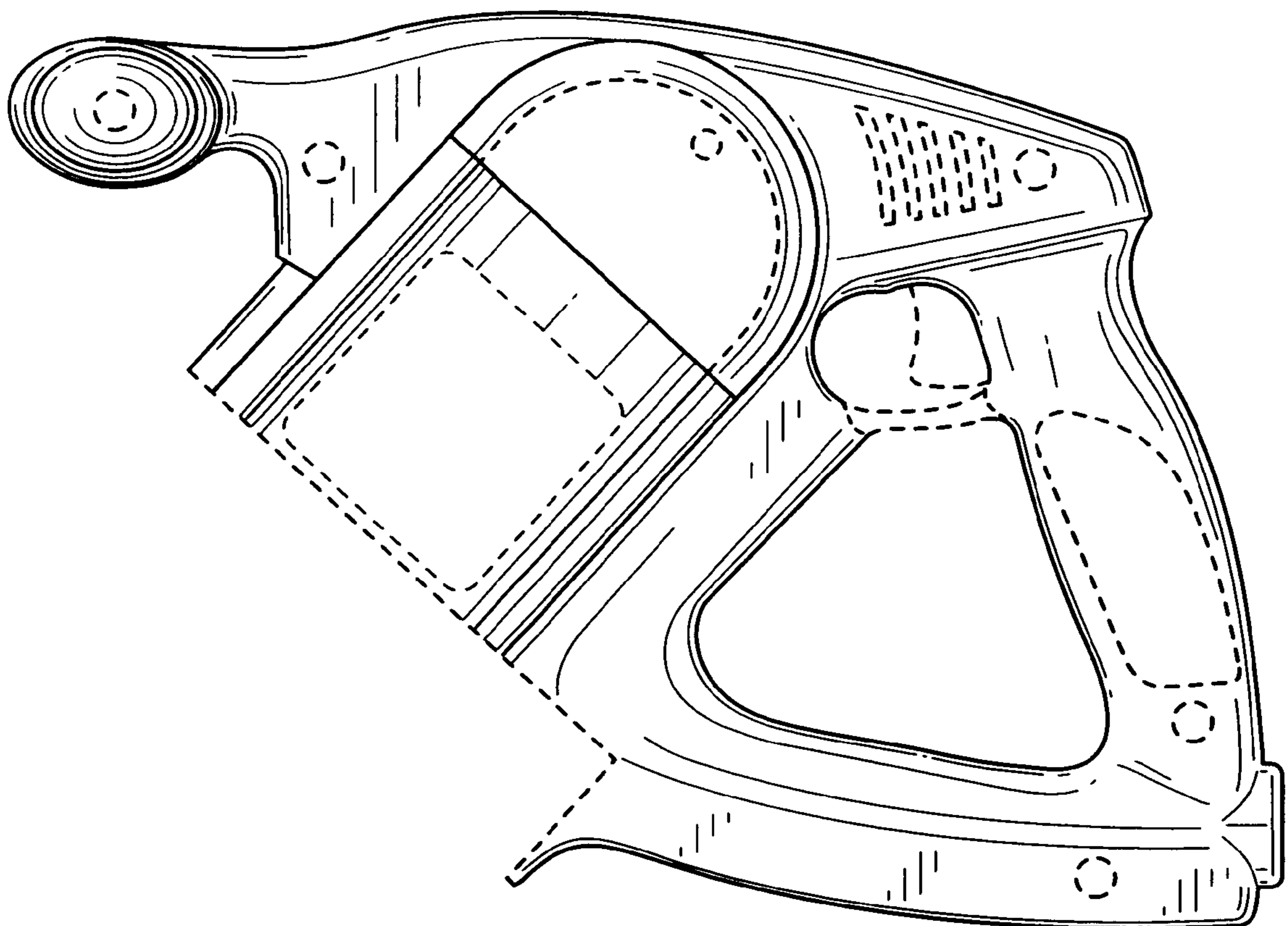
### [57] CLAIM

The ornamental design for a housing for a circular saw, as shown and described.

### DESCRIPTION

FIG. 1 is a right side perspective view from the front of a housing of a circular saw showing my new design; FIG. 2 is a right side elevational view of the housing; FIG. 3 is a left side elevational view of the housing; FIG. 4 is a front elevational view of the housing; FIG. 5 is a rear elevational view of the housing; FIG. 6 is a top plan view of the housing; FIG. 7 is a bottom plan view of the housing. FIG. 8 is a right side elevational view of the housing of FIG. 2 shown separately; and, FIG. 9 is a left side elevational view of the housing of FIG. 3 shown separately.

**1 Claim, 9 Drawing Sheets**



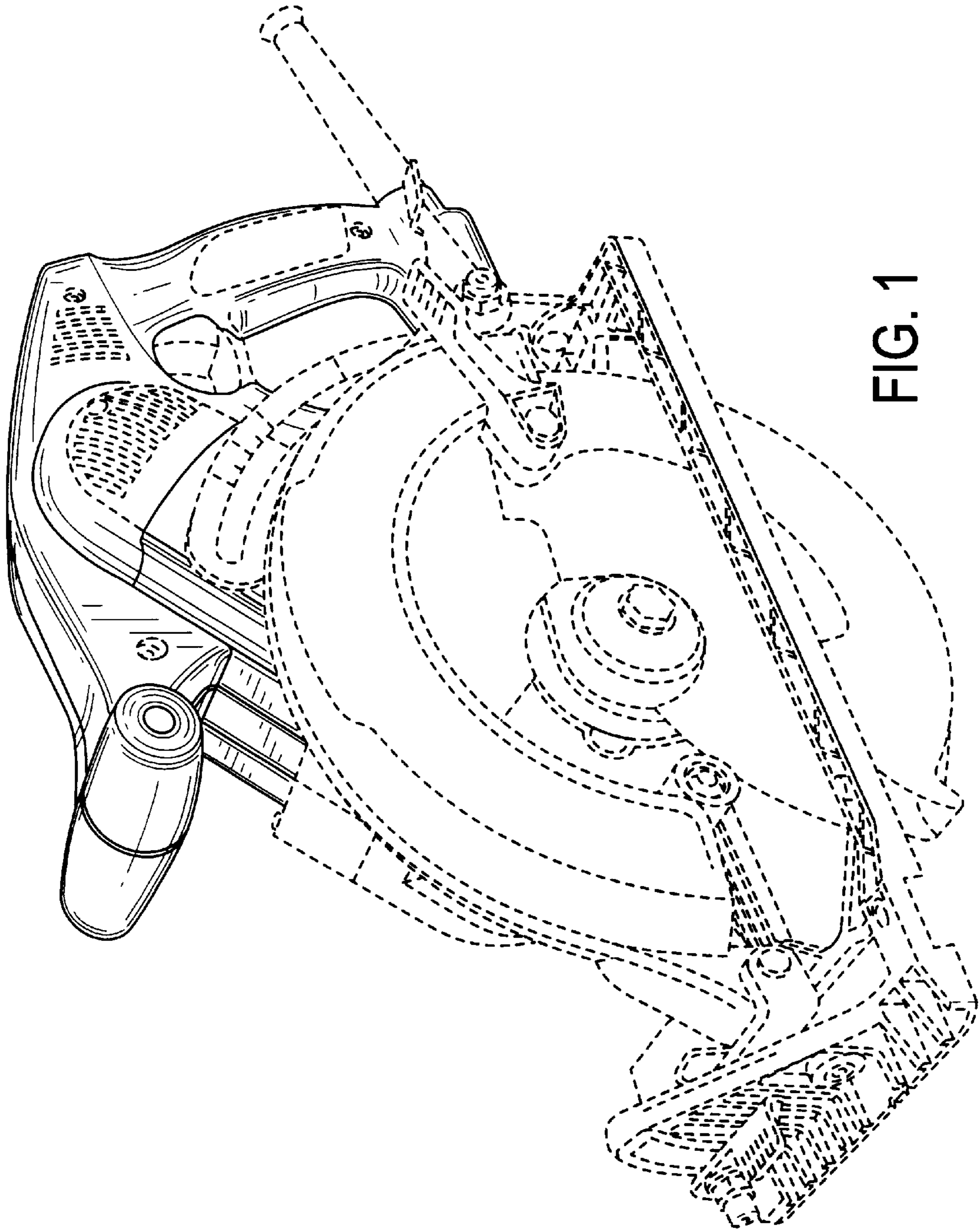


FIG. 1

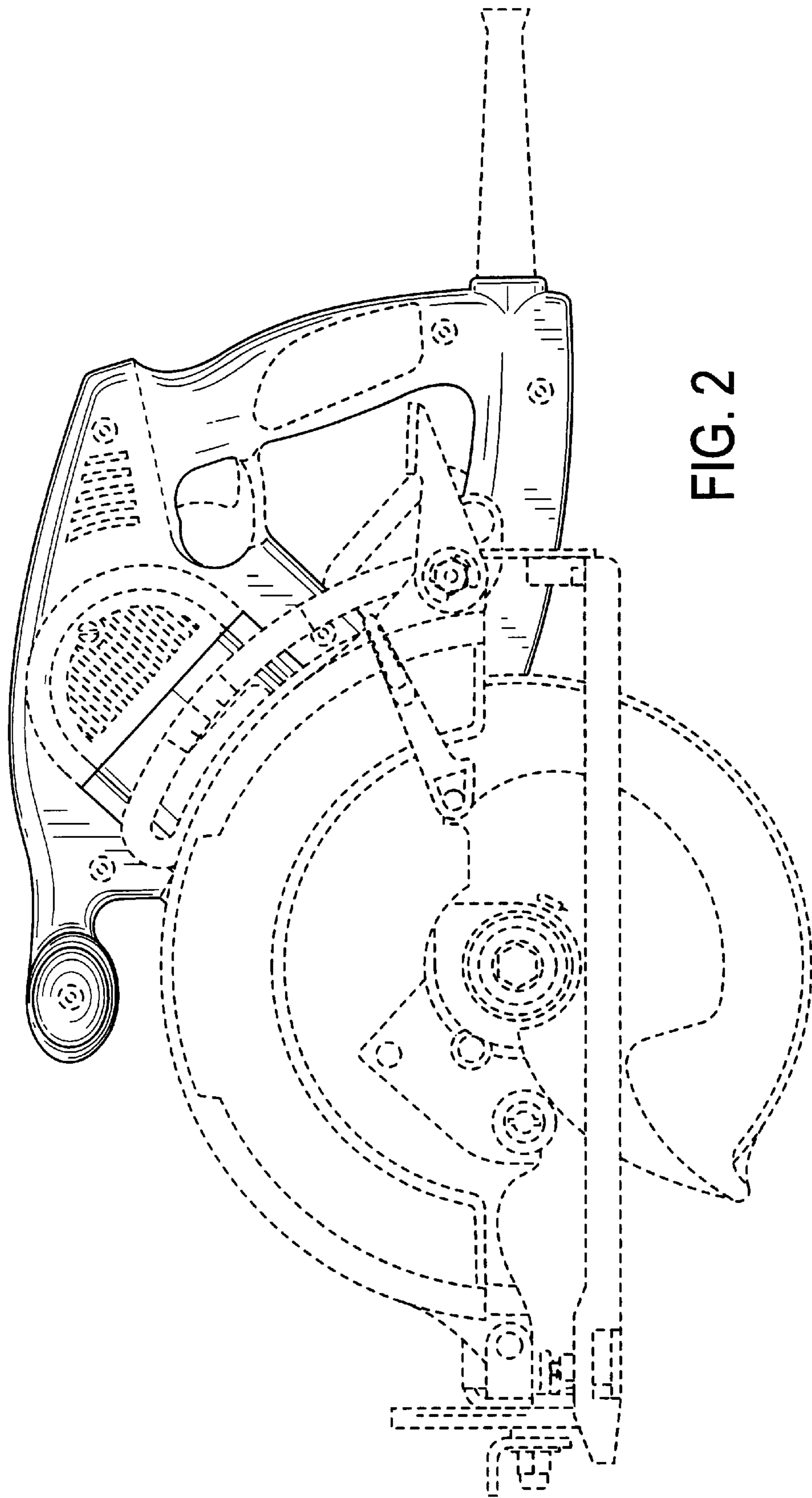


FIG. 2

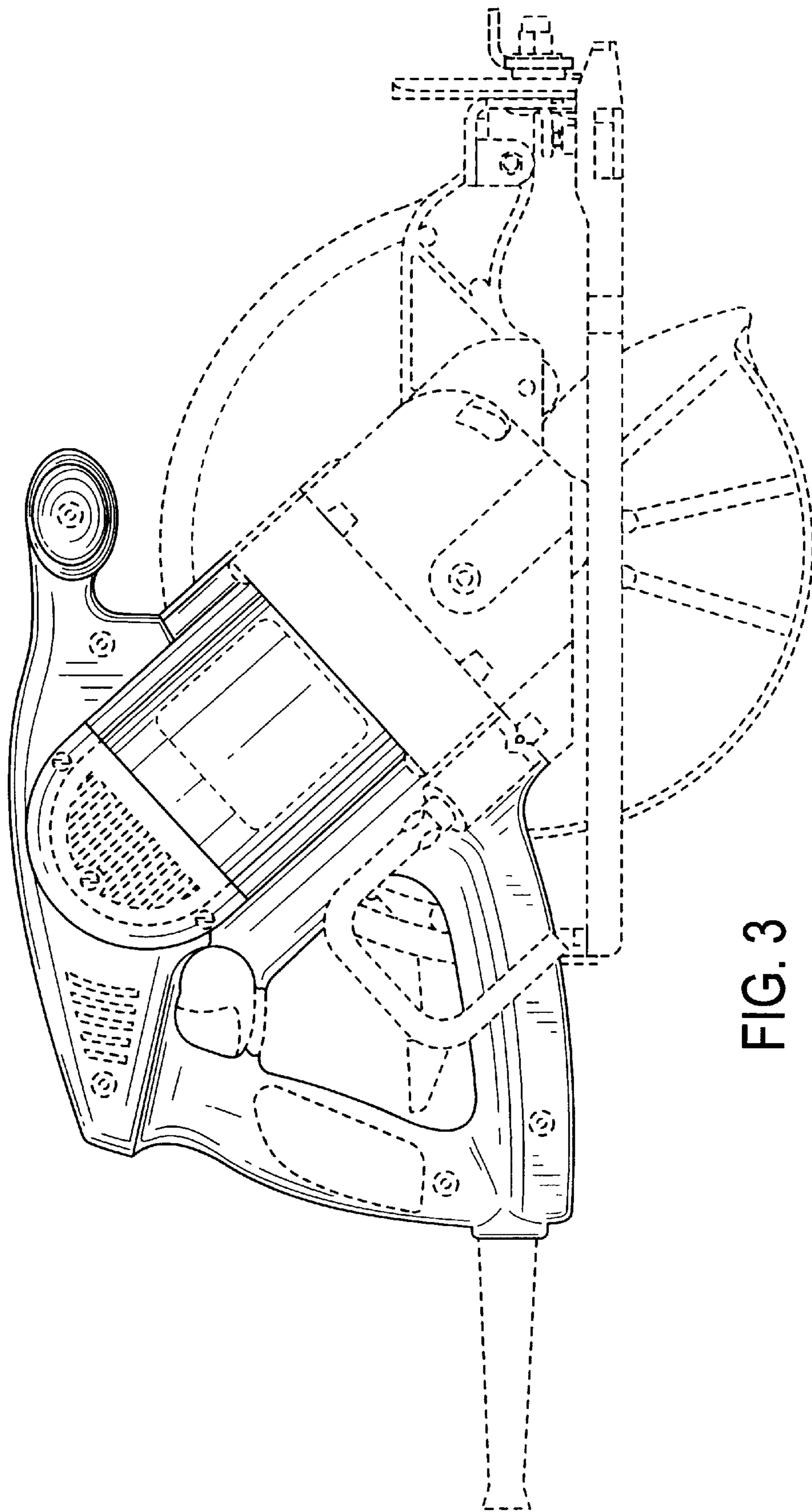


FIG. 3

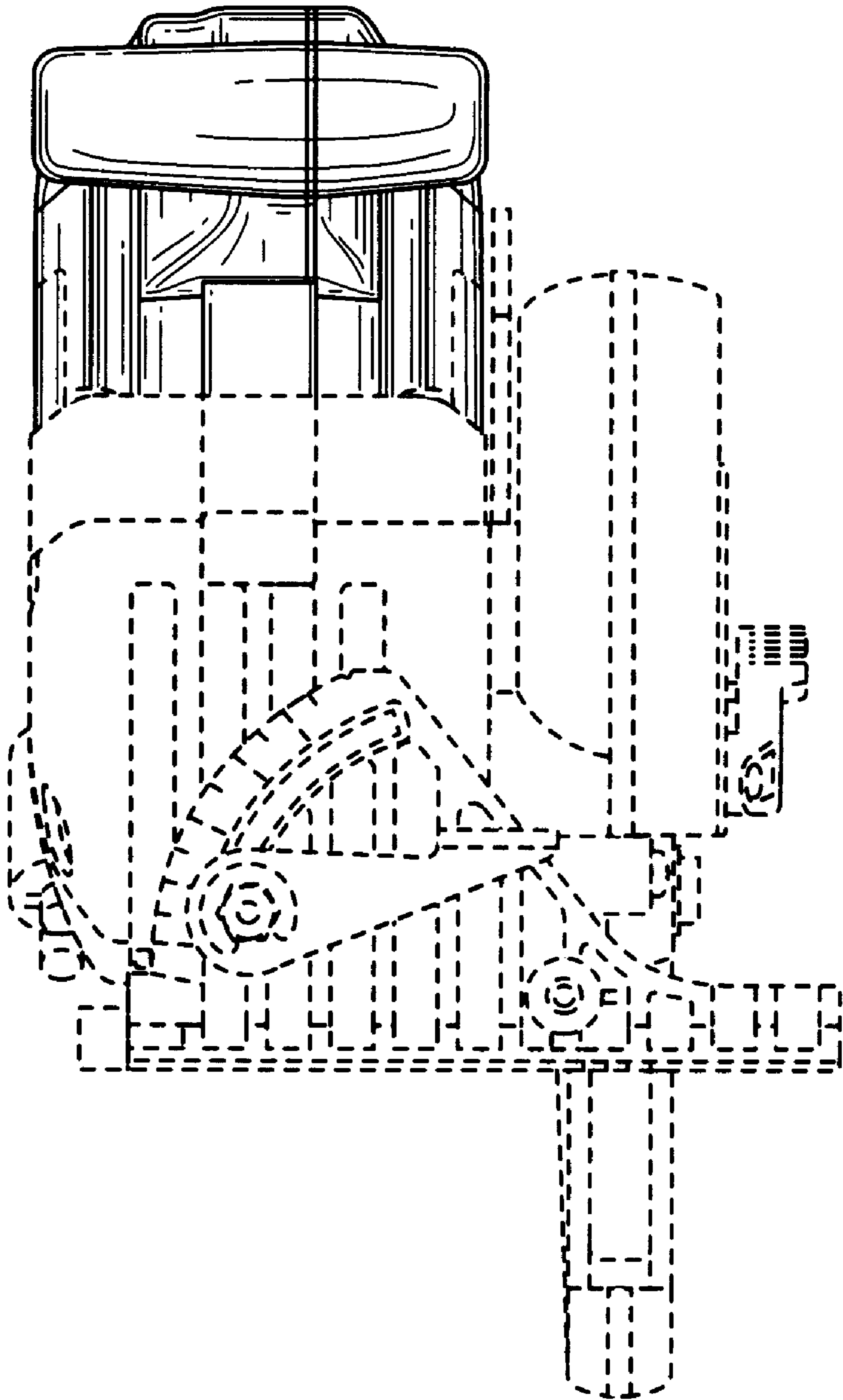


FIG. 4

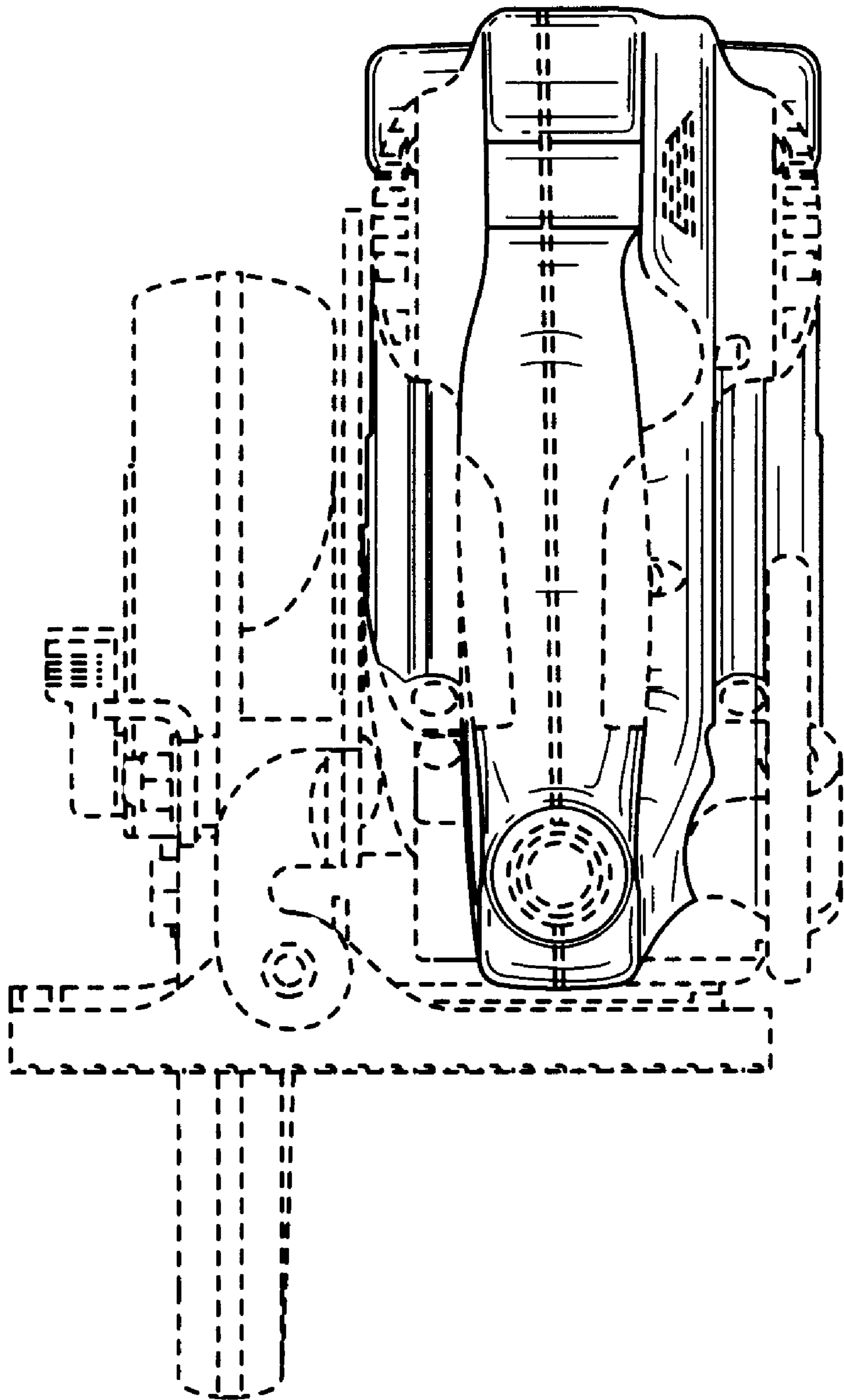


FIG. 5

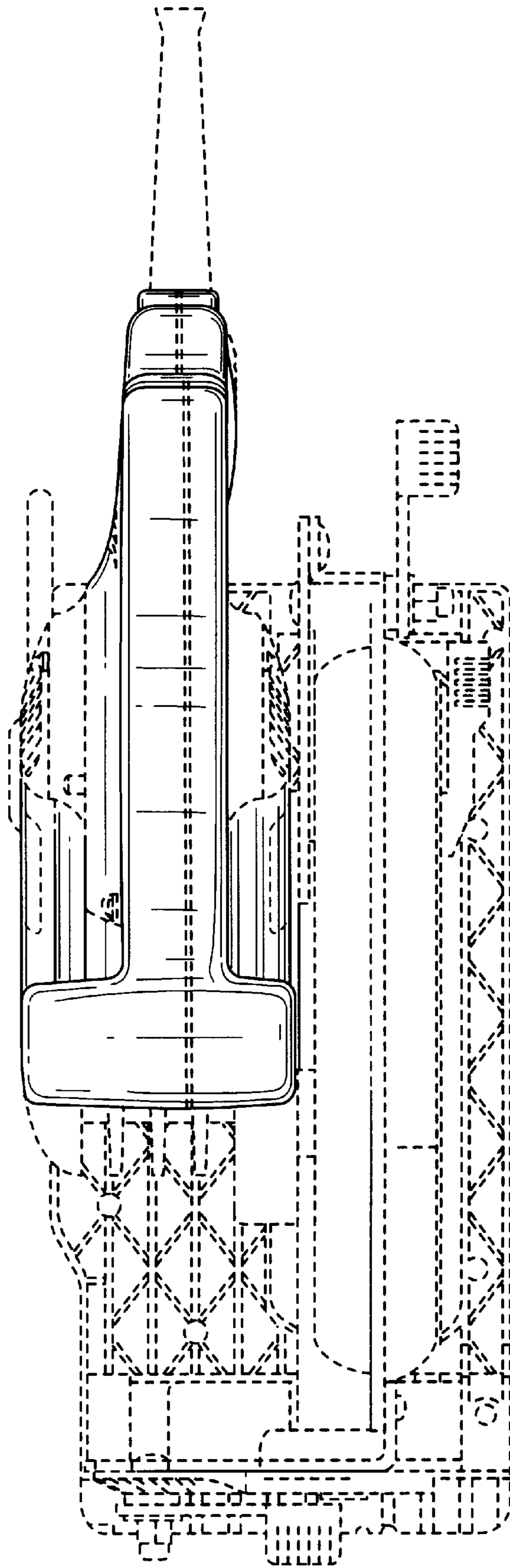


FIG. 6

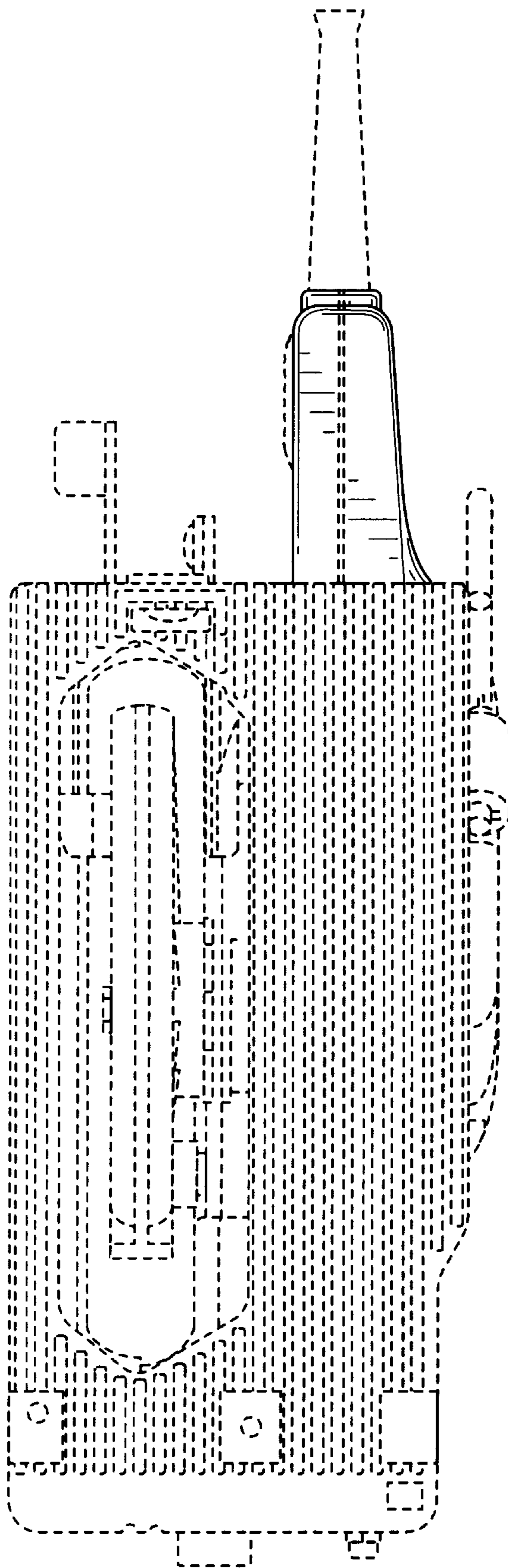


FIG. 7



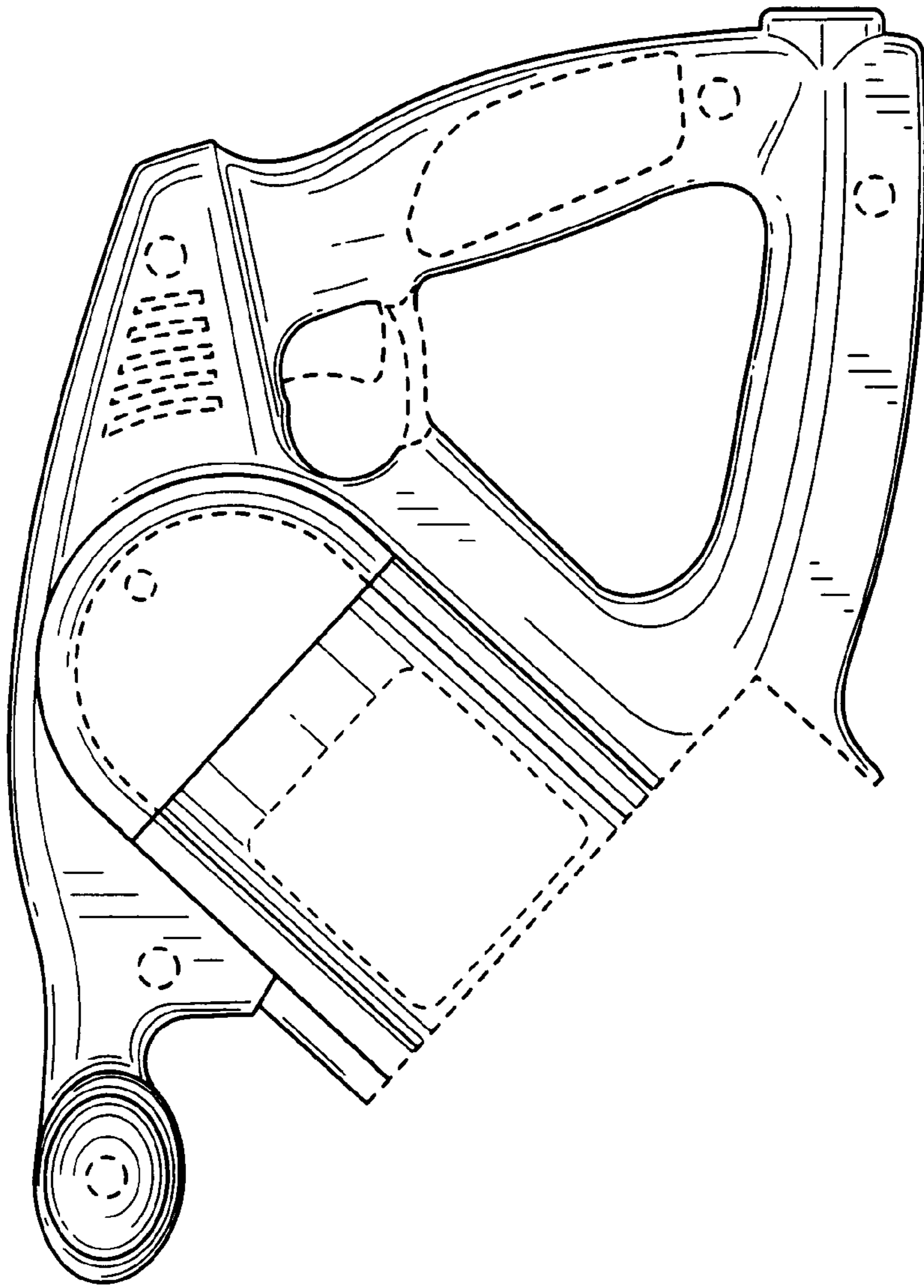


FIG. 8

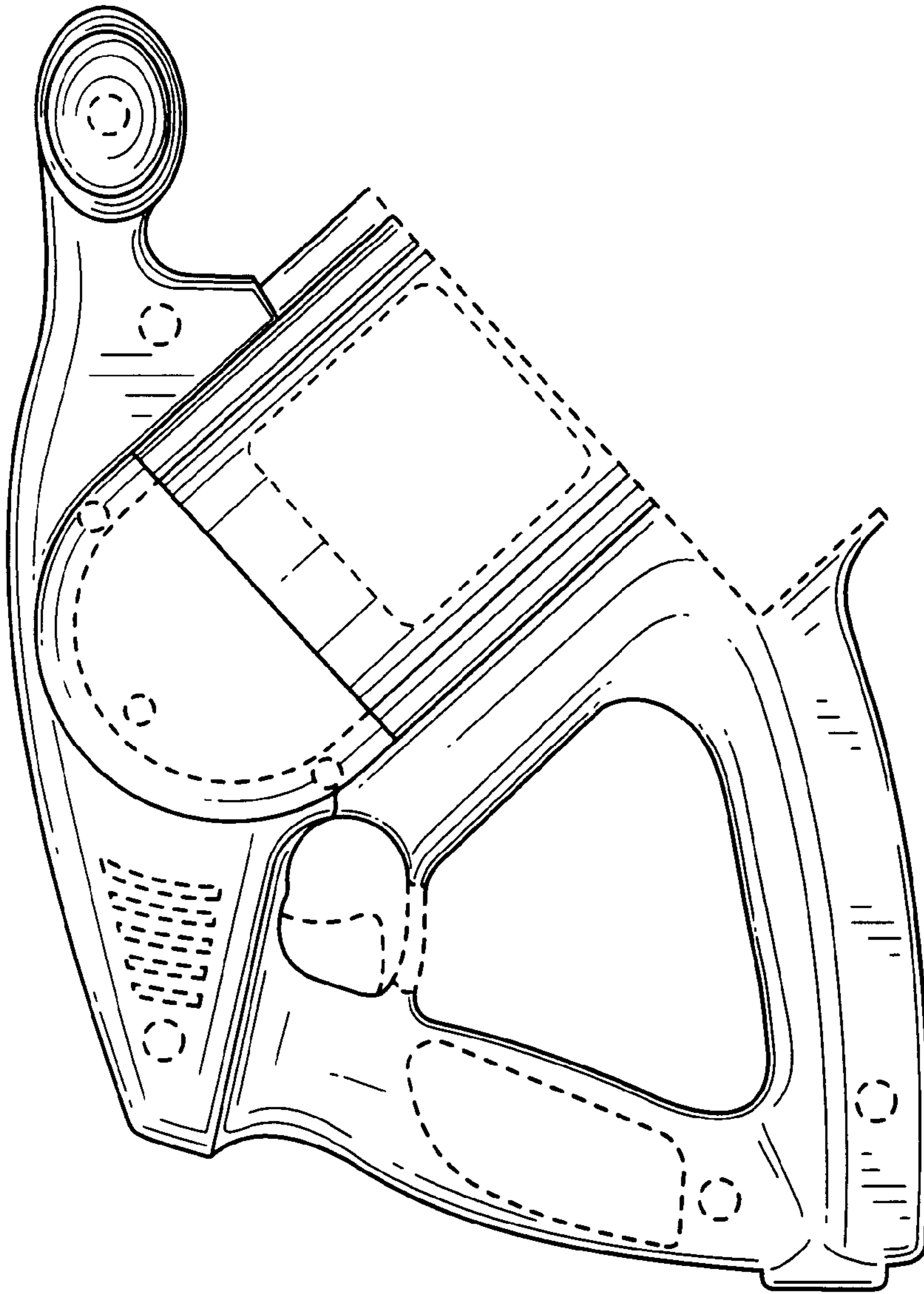


FIG. 9