



US00D421884S

United States Patent [19] Hattori

[11] Patent Number: **Des. 421,884**

[45] Date of Patent: **** Mar. 28, 2000**

[54] **PNEUMATIC SCREW DRIVING MACHINE**

[75] Inventor: **Takeo Hattori**, Tokyo, Japan

[73] Assignee: **Max Co., Ltd.**, Tokyo, Japan

[**] Term: **14 Years**

[21] Appl. No.: **29/101,709**

[22] Filed: **Mar. 10, 1999**

[30] **Foreign Application Priority Data**

Sep. 11, 1998 [JP] Japan 10-26016

[51] **LOC (6) Cl.** **08-05**

[52] **U.S. Cl.** **D8/69**

[58] **Field of Search** D8/61-70; 81/45-46,
81/57.37, 433-434; 227/8, 10, 100, 114,
120, 117, 129-132, 152, 135, 137

[56] **References Cited**

U.S. PATENT DOCUMENTS

D. 337,252 7/1993 Tsuru et al. D8/69
D. 377,592 1/1997 Hattori D8/69
D. 387,259 12/1997 Braddock et al. D8/69
D. 387,260 12/1997 Hattori D8/69

D. 392,862 3/1998 Kaiser et al. D8/68
D. 403,938 1/1999 Matsuoka et al. D8/68
D. 408,250 4/1999 Matsuoka et al. D8/68
3,971,421 7/1976 Damratowski 81/434
4,774,863 10/1988 Geist 81/434
5,027,679 7/1991 Kawashima et al. 81/434
5,267,682 12/1993 Okouchi 227/151

Primary Examiner—Nelson C. Holtje
Attorney, Agent, or Firm—Morgan, Lewis & Bockius LLP

[57] CLAIM

The ornamental design for a pneumatic screw driving machine, as shown and described.

DESCRIPTION

FIG. 1 is a perspective view of the front, bottom and right side of a pneumatic screw driving machine showing my new design;

FIG. 2 is a front elevational view thereof;

FIG. 3 is a top plan view thereof;

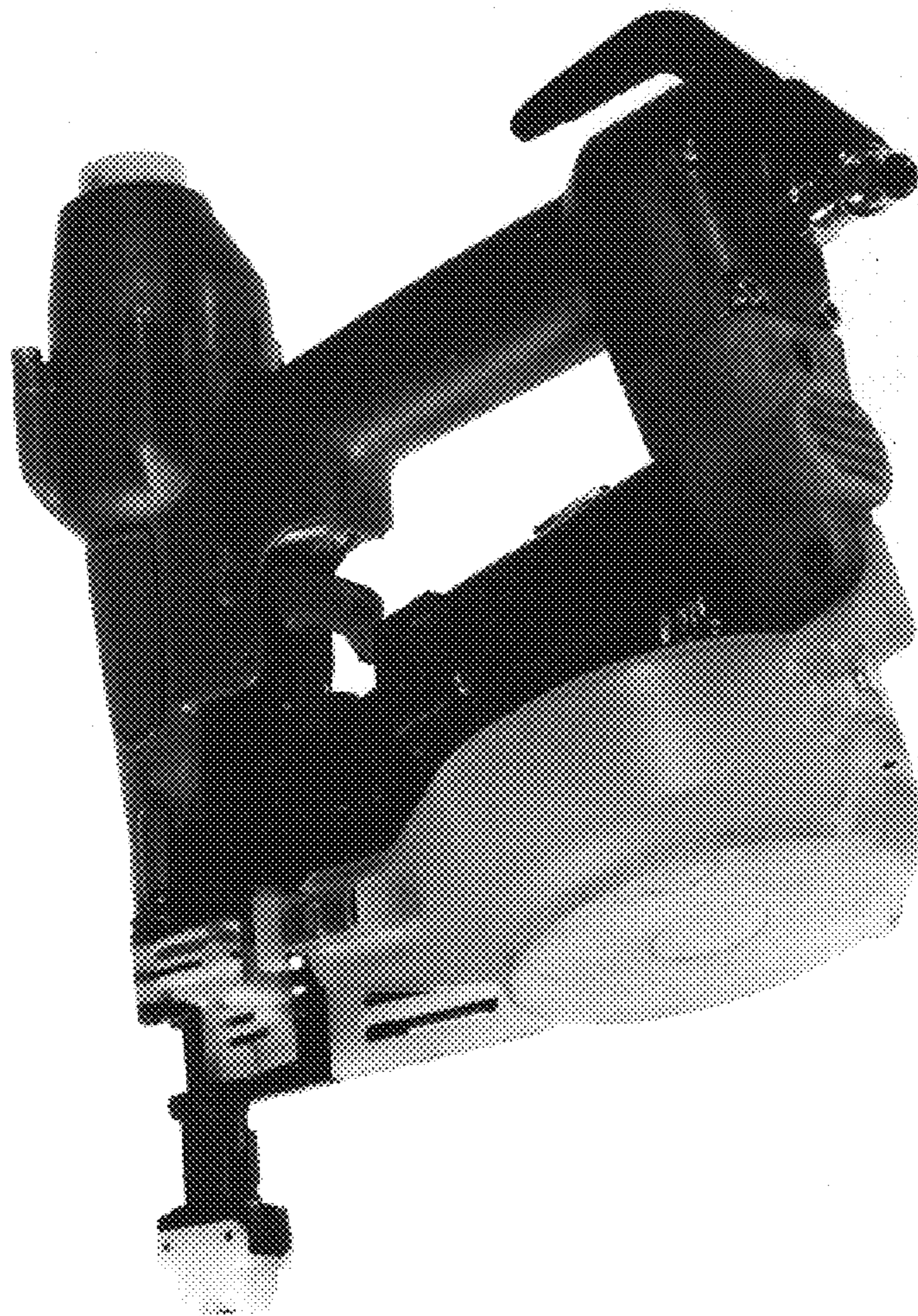
FIG. 4 is a left side elevational view thereof;

FIG. 5 is a right side elevational view thereof;

FIG. 6 is a rear elevational view thereof; and,

FIG. 7 is a bottom plan view thereof.

1 Claim, 7 Drawing Sheets



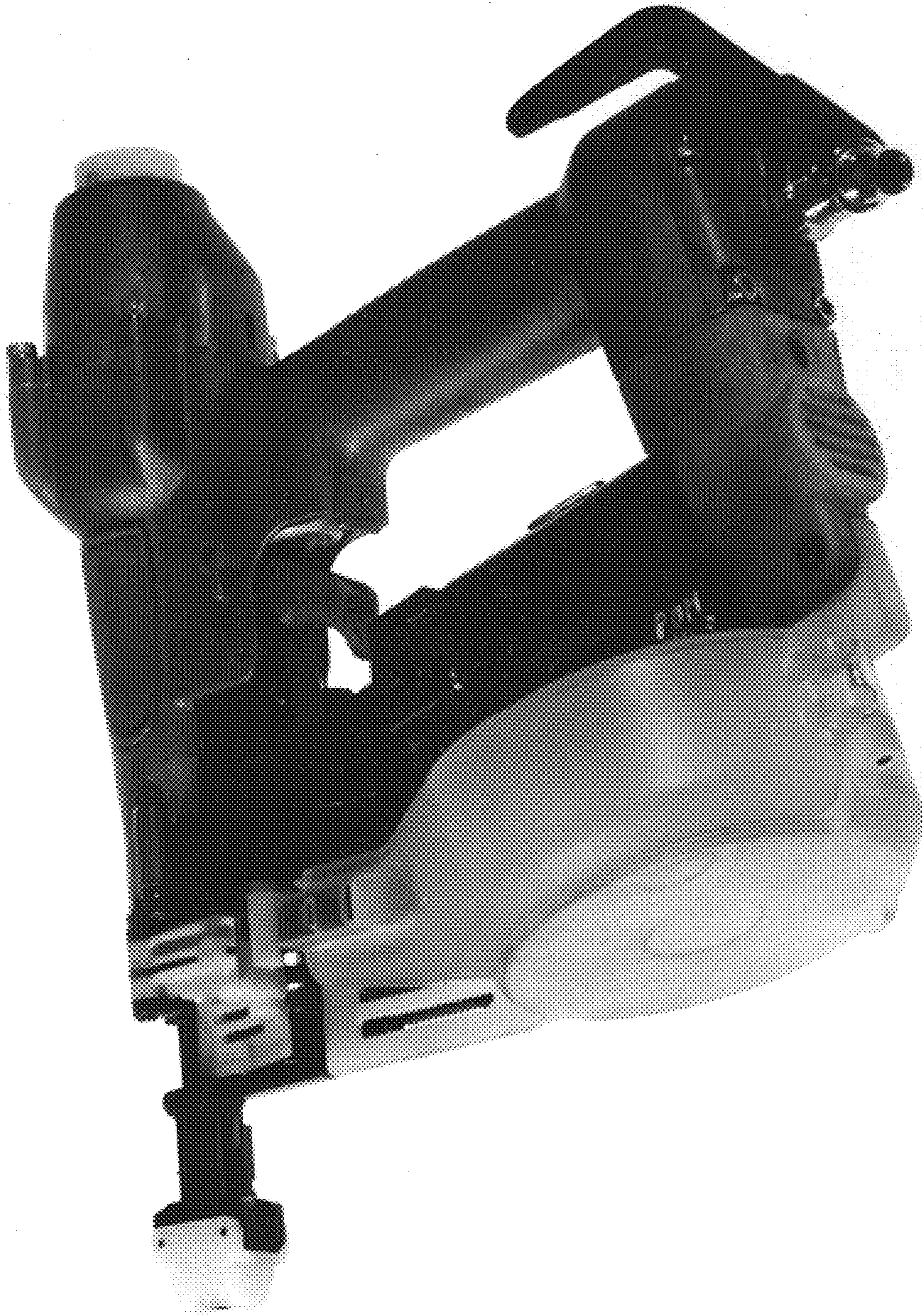


FIG. 1

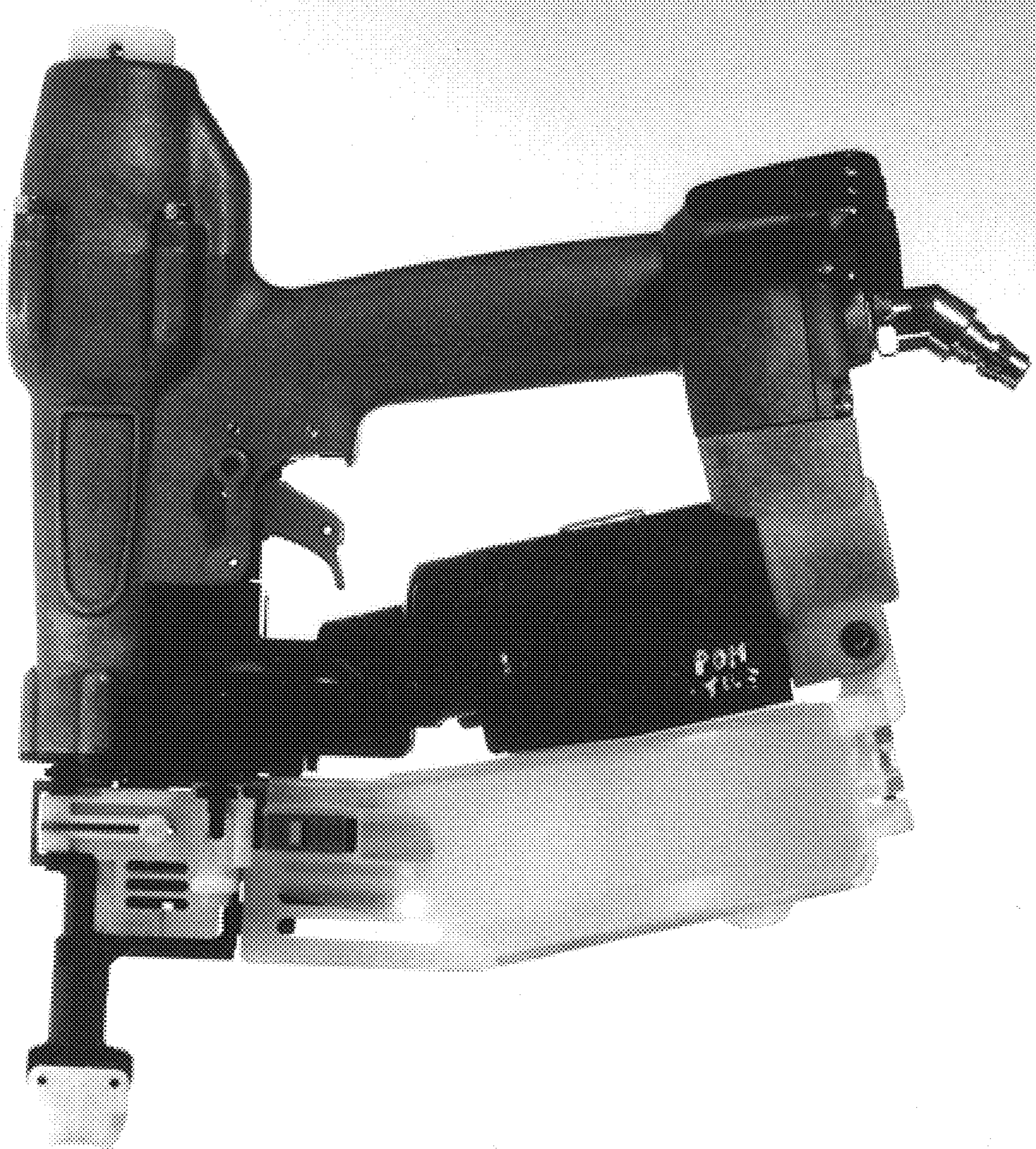


FIG. 2

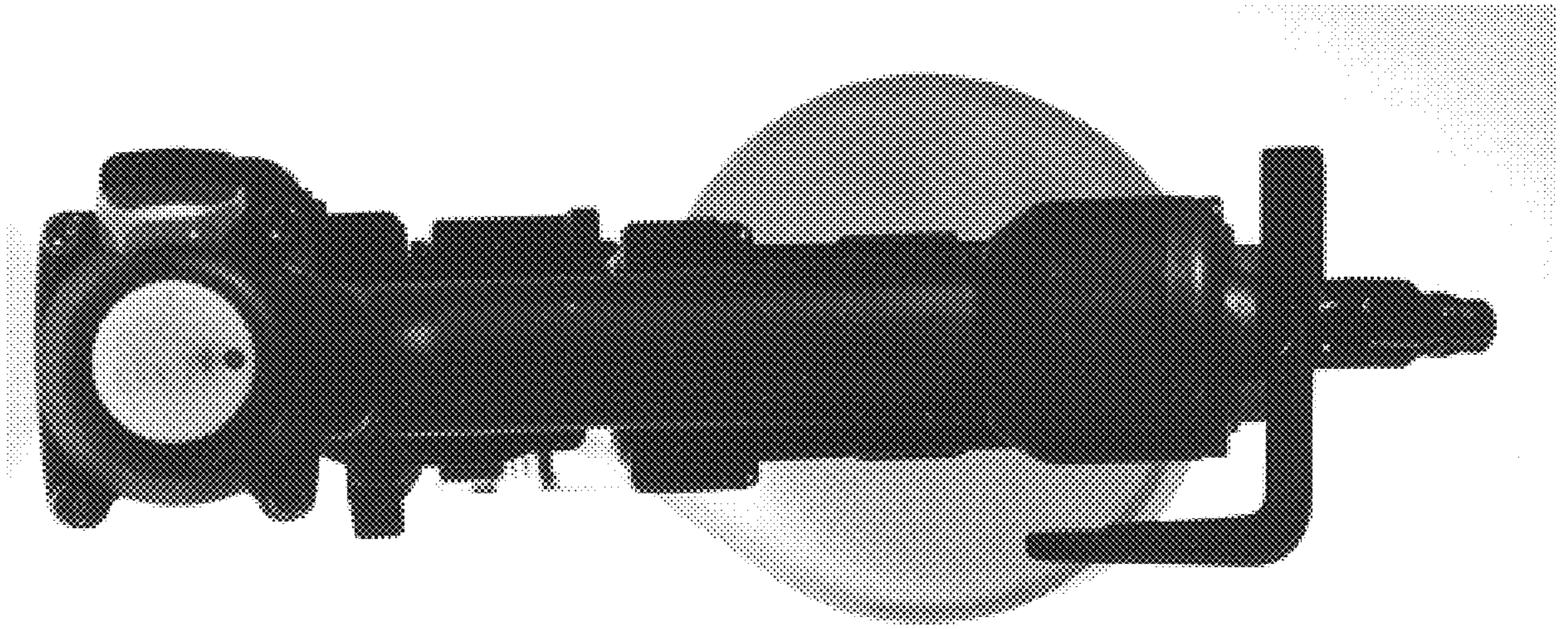


FIG. 3

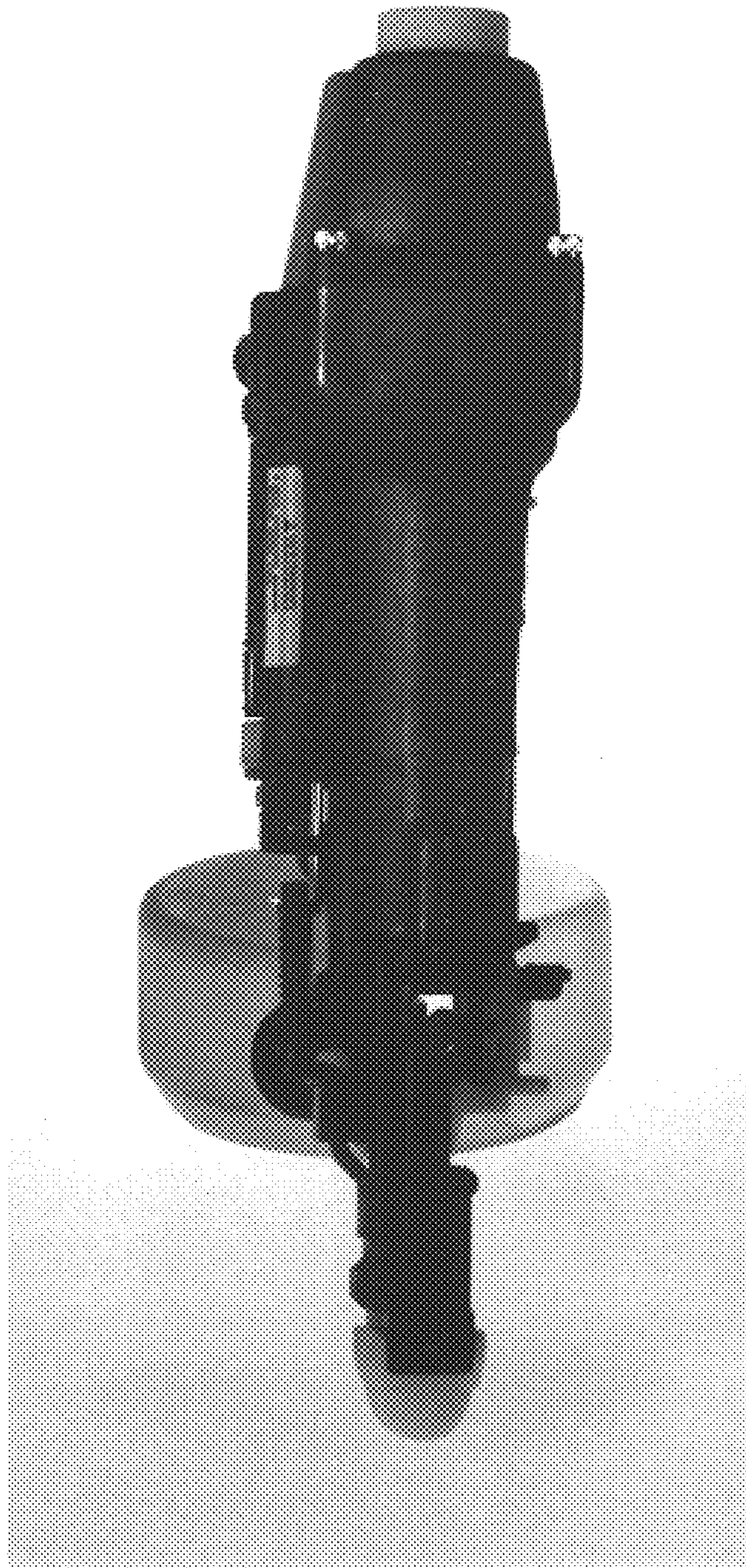


FIG. 4



FIG. 5

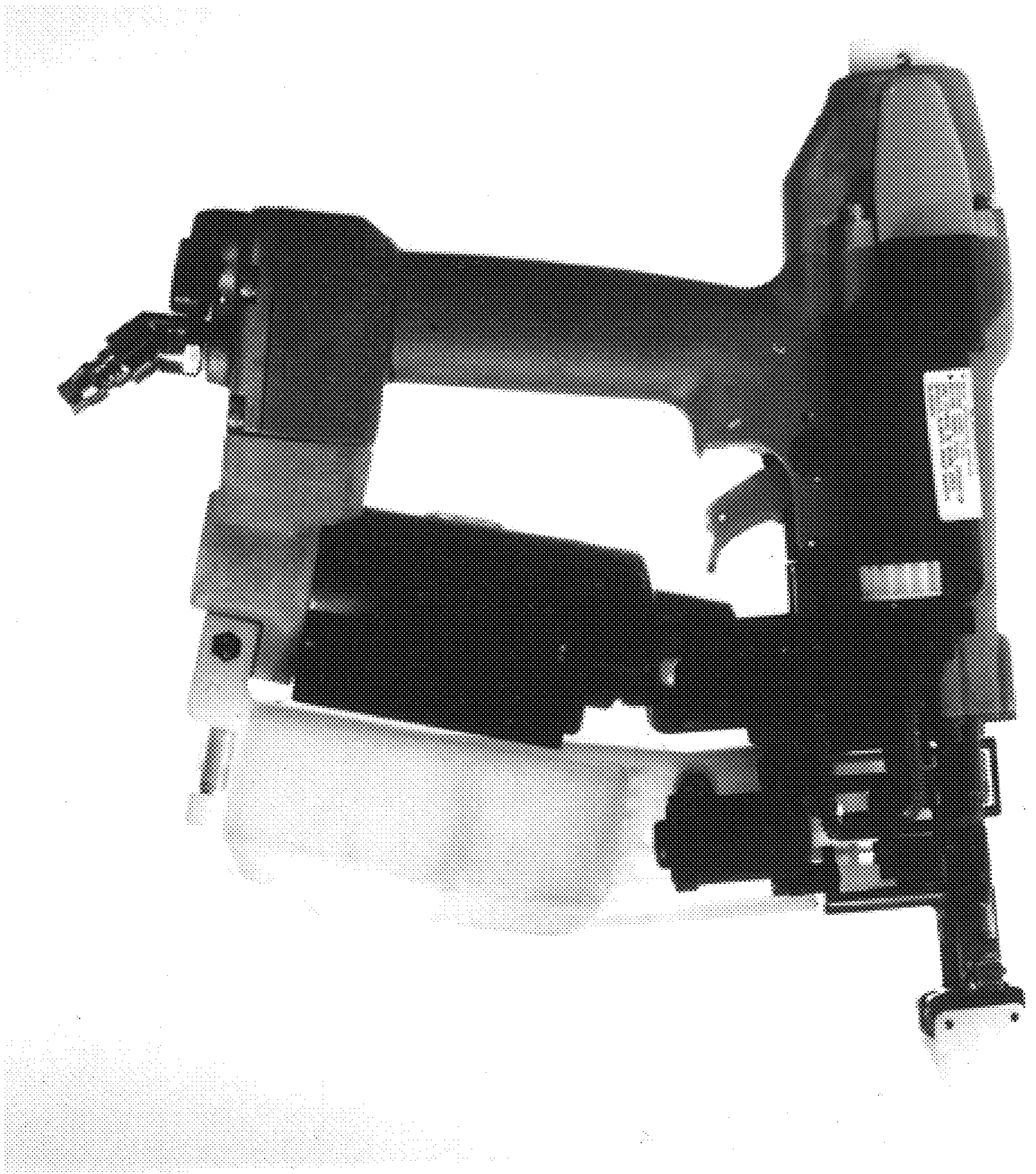


FIG. 6

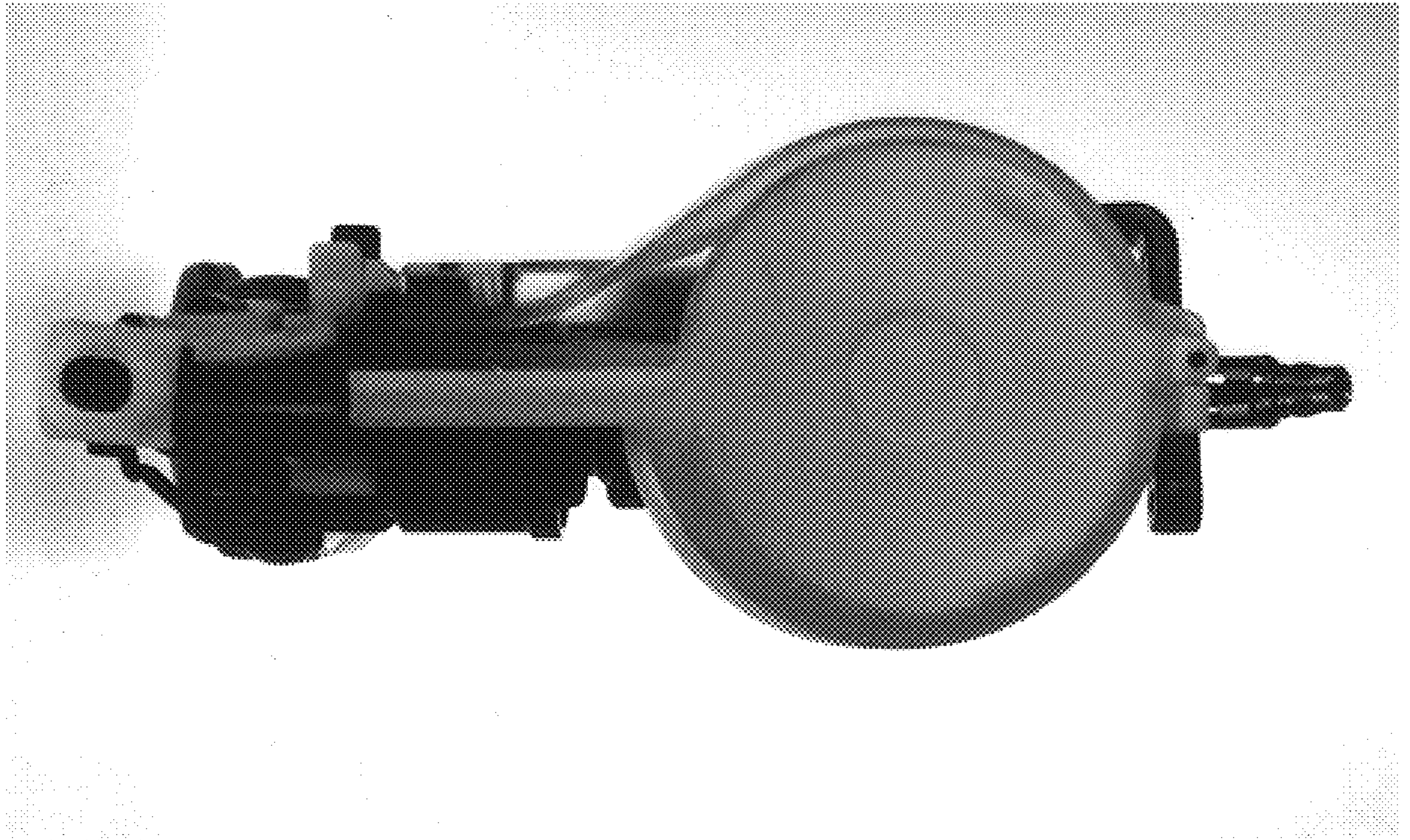


FIG. 7