



US00D421883S

# United States Patent [19]

[11] Patent Number: Des. 421,883

Watson et al.

[45] Date of Patent: \*\* Mar. 28, 2000

[54] CORDLESS ELECTRIC DRILL

[75] Inventors: James B. Watson, Conyers; Jae Ho Cha, Lithonia, both of Ga.

[73] Assignee: Ryobi North America, Inc., Anderson, S.C.

[\*\*] Term: 14 Years

[21] Appl. No.: 29/092,248

[22] Filed: Aug. 14, 1998

[51] LOC (6) Cl. .... 08-05

[52] U.S. Cl. .... D8/68

[58] Field of Search ..... D8/61, 68; 81/55, 81/57.11, 57.13, 59.14, 57.43, 177.1, 177.4, 177.6; 173/169-170

- D. 380,952 7/1997 Kim .
- D. 382,457 8/1997 Ghode et al. .
- D. 384,261 9/1997 Hayakawa et al. .
- D. 386,662 11/1997 Tozawa et al. .... D8/68
- D. 389,384 1/1998 Lui .
- D. 392,530 3/1998 Lui .
- D. 394,995 6/1998 Cooper .
- D. 396,177 7/1998 Schultz .
- D. 402,872 12/1998 Clowers et al. .... D8/68
- D. 404,276 1/1999 Ghode et al. .... D8/68
- 5,230,261 7/1993 Akazawa et al. .

### FOREIGN PATENT DOCUMENTS

- 92 02 349 10/1992 Germany .
- 94 01 137 2/1994 Germany .
- 94 01 141 8/1994 Germany .
- 94 06 883 1/1995 Germany .
- 595750 6/1989 Japan .
- 894180 3/1994 Japan .
- 826221 7/1994 Japan .

### [56] References Cited

#### U.S. PATENT DOCUMENTS

- D. 279,957 8/1985 Akazawa et al. .
- D. 295,141 4/1988 Hoshino et al. .
- D. 296,413 6/1988 Hoshino et al. .
- D. 296,655 7/1988 Yonezawa et al. .
- D. 299,808 2/1989 Hoshino et al. .
- D. 314,498 2/1991 Hoshino et al. .
- D. 323,606 2/1992 Chang .
- D. 327,619 7/1992 Tsai .
- D. 329,580 9/1992 Sasaki et al. .
- D. 332,208 1/1993 Sakamoto et al. .
- D. 335,073 4/1993 Anthony et al. .
- D. 339,727 9/1993 Kikuchi ..... D8/68
- D. 340,394 10/1993 Okumura .
- D. 345,090 3/1994 Okumura .
- D. 359,215 6/1995 Zurwelle .
- D. 360,814 8/1995 Kimata .
- D. 362,167 9/1995 Zurwelle .
- D. 368,214 3/1996 Zurwelle .
- D. 377,442 1/1997 Kikuchi .
- D. 377,893 2/1997 Lui .
- D. 378,268 3/1997 Schultz .

### OTHER PUBLICATIONS

Hardware Age, Oct. 1986, p. 130.  
 New Equipment Digest, Sep., 1984, p. 48.  
*Primary Examiner*—Nelson C. Holtje  
*Attorney, Agent, or Firm*—Brooks & Kushman P.C.

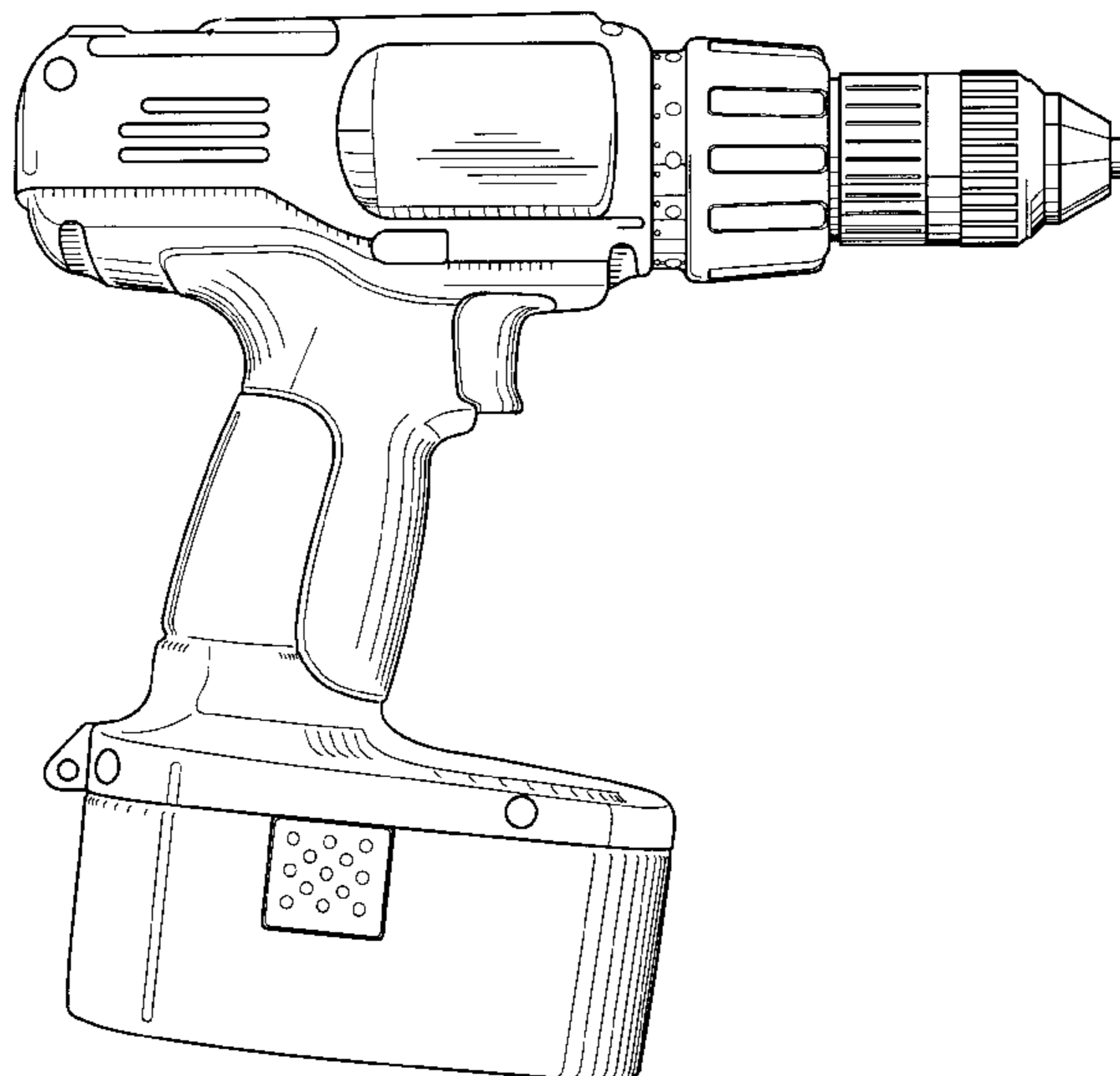
### [57] CLAIM

The ornamental design for a cordless electric drill, as shown and described.

### DESCRIPTION

FIG. 1 is a right side elevational view of a cordless electric drill;  
 FIG. 2 is a left side elevational view;  
 FIG. 3 is a top plan view;  
 FIG. 4 is a bottom plan view;  
 FIG. 5 is a front end elevational view; and,  
 FIG. 6 is a rear end elevational view.

1 Claim, 2 Drawing Sheets



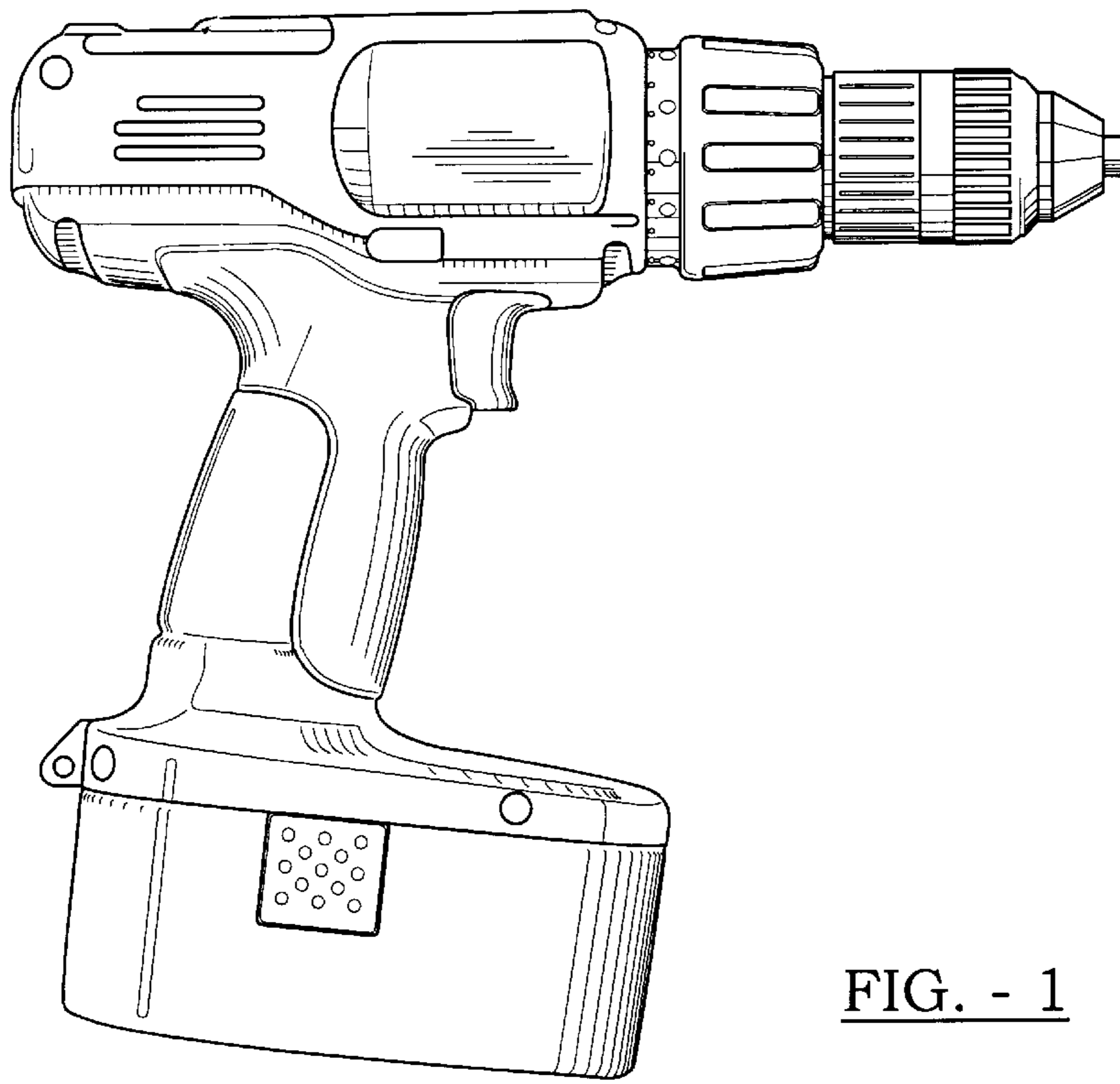


FIG. - 1

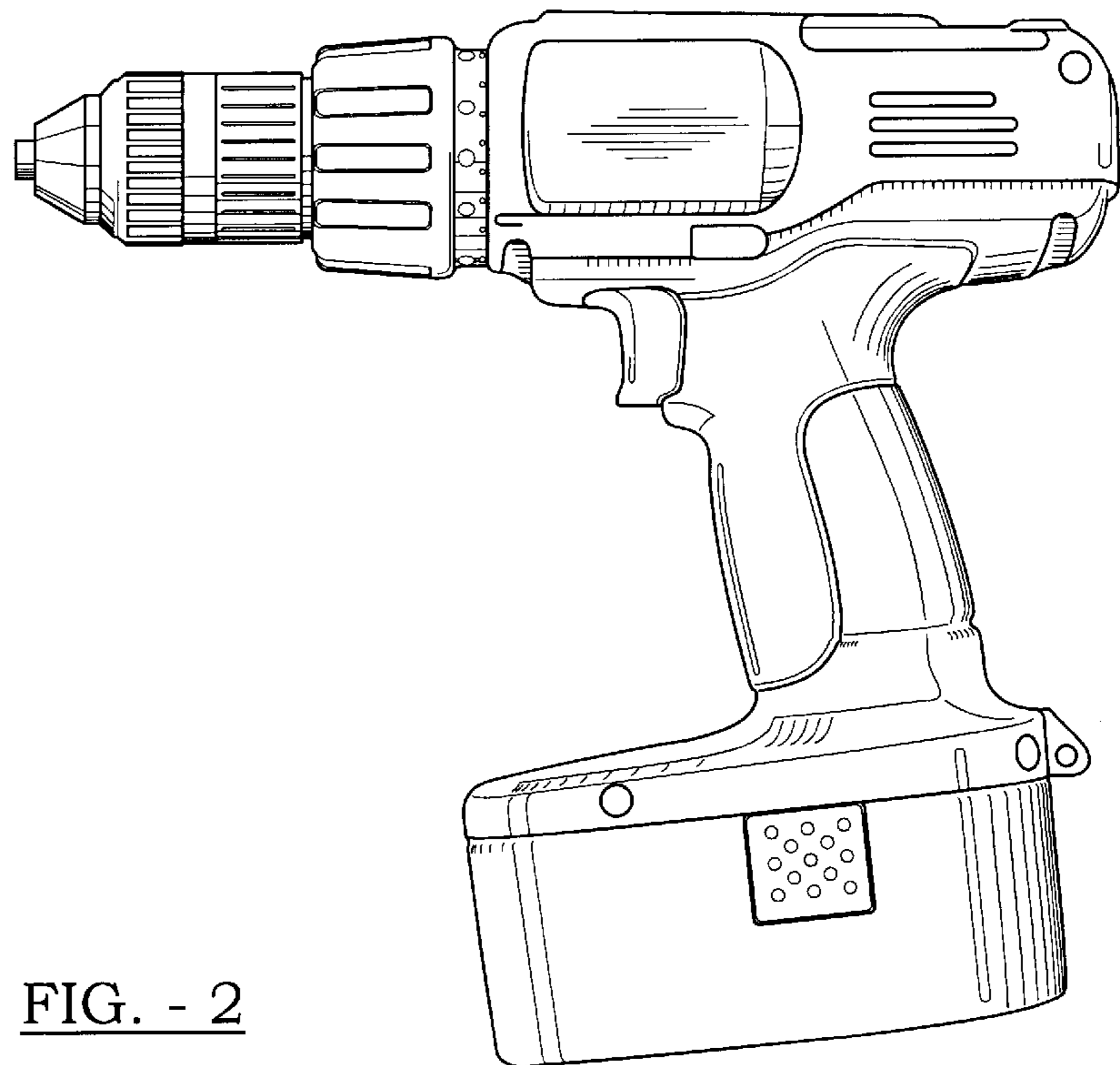


FIG. - 2

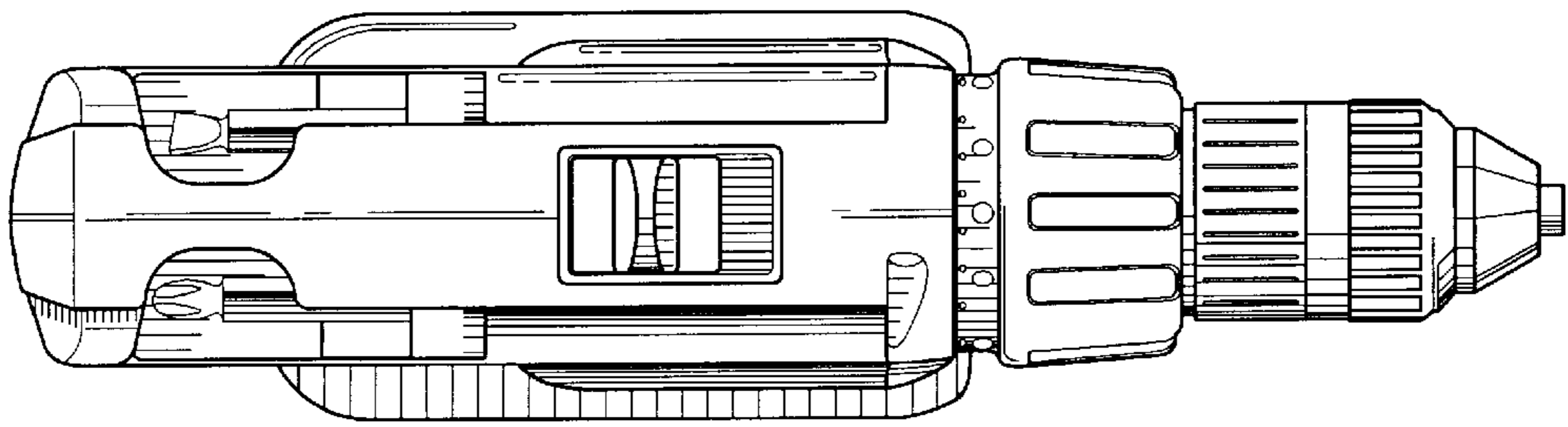


FIG. - 3

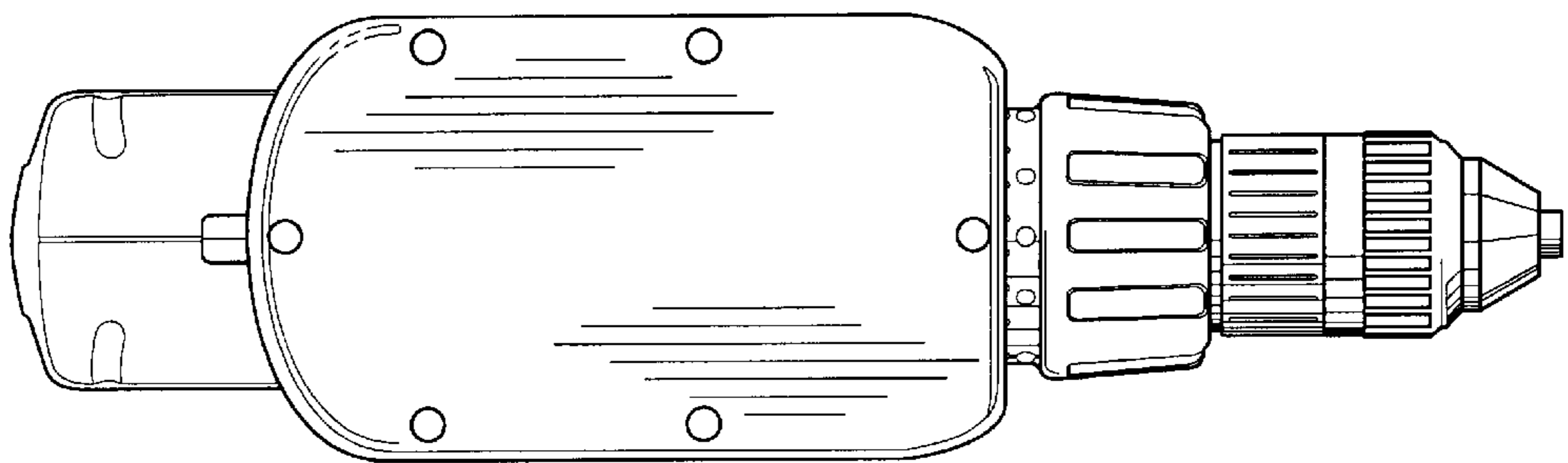


FIG. - 4

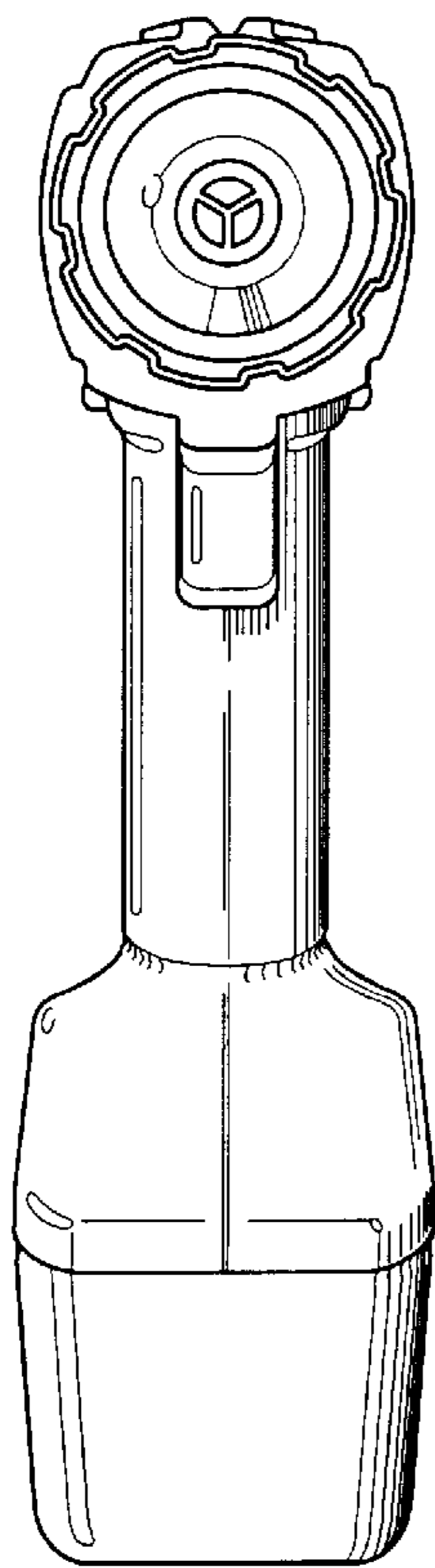


FIG. - 5

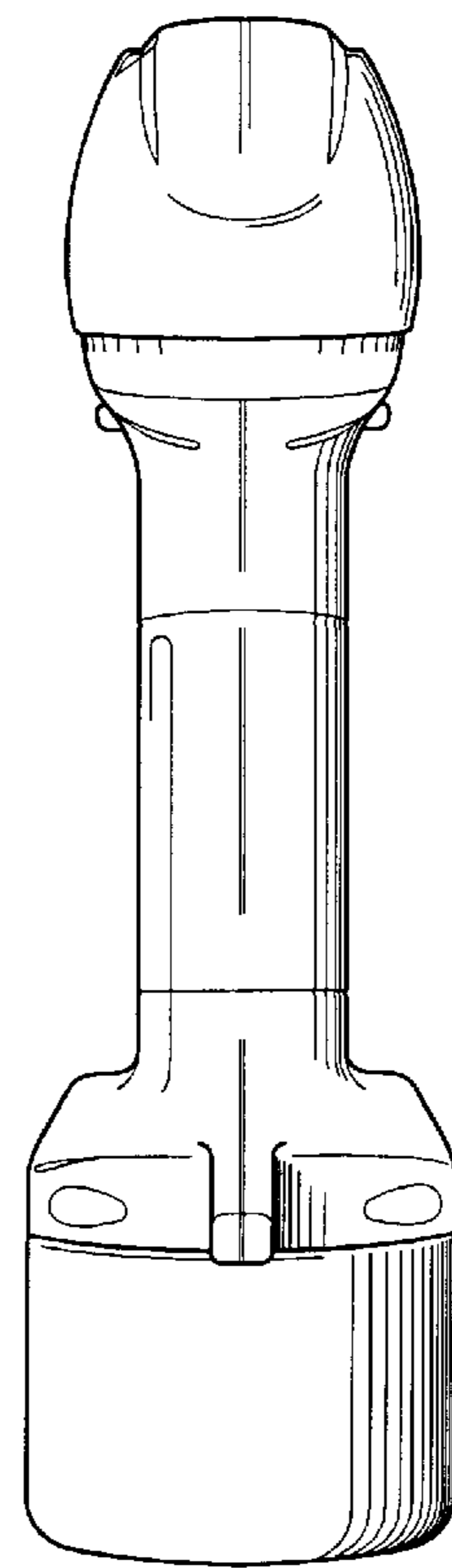


FIG. - 6