



US00D421882S

United States Patent [19]
Mattei

[11] **Patent Number: Des. 421,882**
[45] **Date of Patent: ** Mar. 28, 2000**

[54] **MUSICAL INSTRUMENT STRING
INSTALLER**

[76] Inventor: **Michael R. Mattei**, 7870 Amsterdam
Ct., Plainfield, Ind. 46168

[**] Term: **14 Years**

[21] Appl. No.: **29/093,043**

[22] Filed: **Sep. 2, 1998**

[51] **LOC (6) Cl.** **08-05**

[52] **U.S. Cl.** **D8/29; D17/20; 84/458**

[58] **Field of Search** D8/14, 21, 29,
D8/70; D17/20, 99; 81/121.1, 124.2, 124.4,
177.85; 84/453, 454, 458, 459

[56] **References Cited**

U.S. PATENT DOCUMENTS

D. 195,736	7/1963	McManus	D8/29
245,382	8/1881	Jones	84/459
D. 267,410	12/1982	Spercel	D17/20
D. 303,342	9/1989	Katz	D8/29
D. 342,001	12/1993	Hibbert	D8/29
D. 366,996	2/1996	Torres	D8/29
D. 397,596	9/1998	Morin	D8/70
754,069	3/1904	Johnson	81/63.2

1,181,565	5/1916	Block	81/124.2
1,512,699	10/1924	Korach	84/459
3,392,621	7/1968	Pease	84/454
3,713,983	1/1973	Yokotsuka et al.	195/66
3,813,983	6/1974	Paul	84/458
4,287,806	9/1981	Neary	84/458
4,476,770	10/1984	McGowan	84/458
4,791,849	12/1988	Kelley	84/458

Primary Examiner—Adir Aronovich
Attorney, Agent, or Firm—Clifford W. Browning; Woodard,
Emhardt, Naughton, Moriarty & McNett

[57] **CLAIM**

The ornamental design for a musical instrument string installer, as shown and described.

DESCRIPTION

FIG. 1 is a front view of a musical instrument string installer, showing my new design, the rear view being a mirror image thereof.

FIG. 2 is a right side view of FIG. 1.

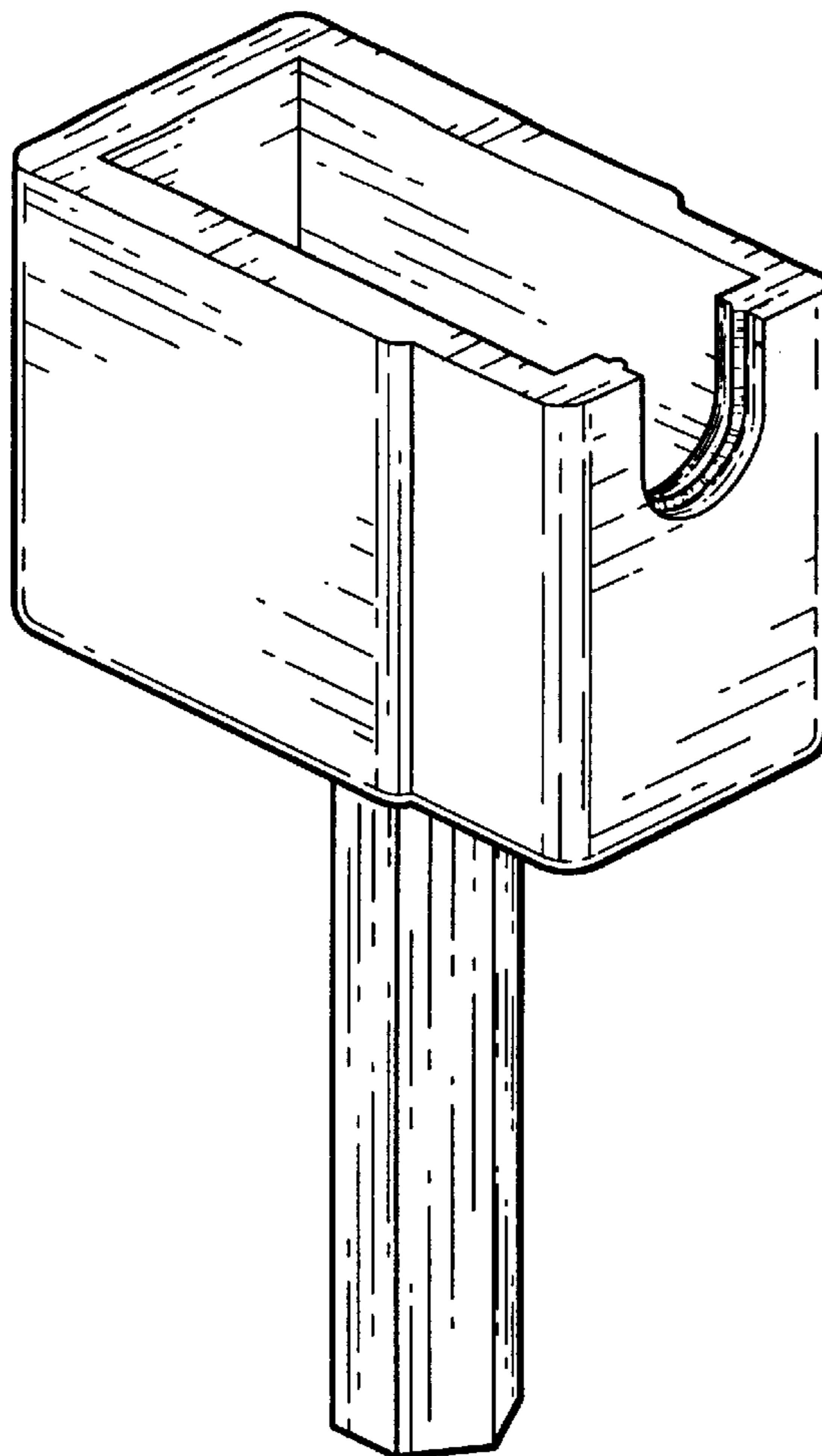
FIG. 3 is a left side view of FIG. 1.

FIG. 4 is a top plan view of FIG. 1.

FIG. 5 is a bottom plan view of FIG. 1; and,

FIG. 6 is a perspective view of FIG. 1.

1 Claim, 2 Drawing Sheets



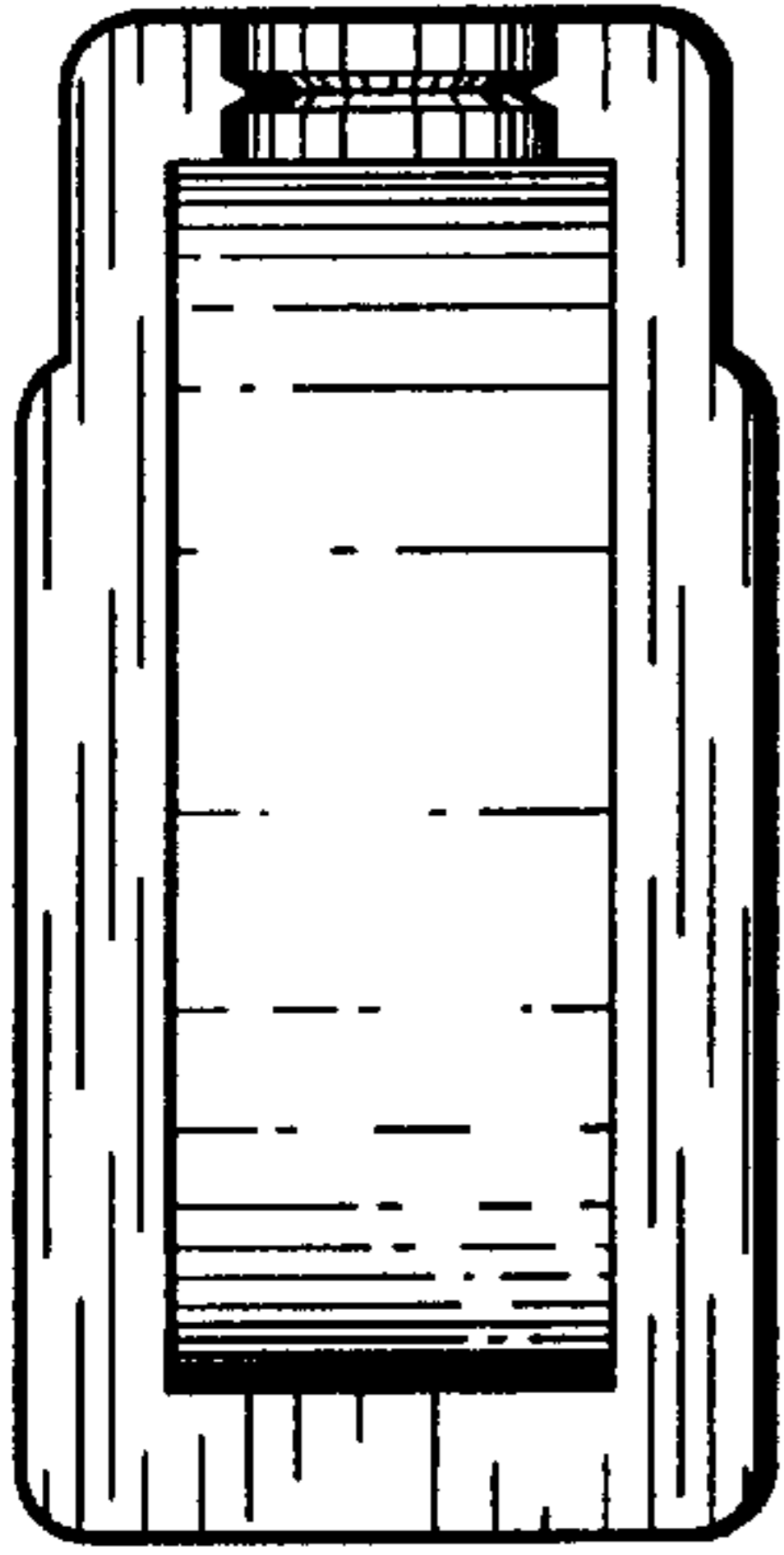


Fig. 4

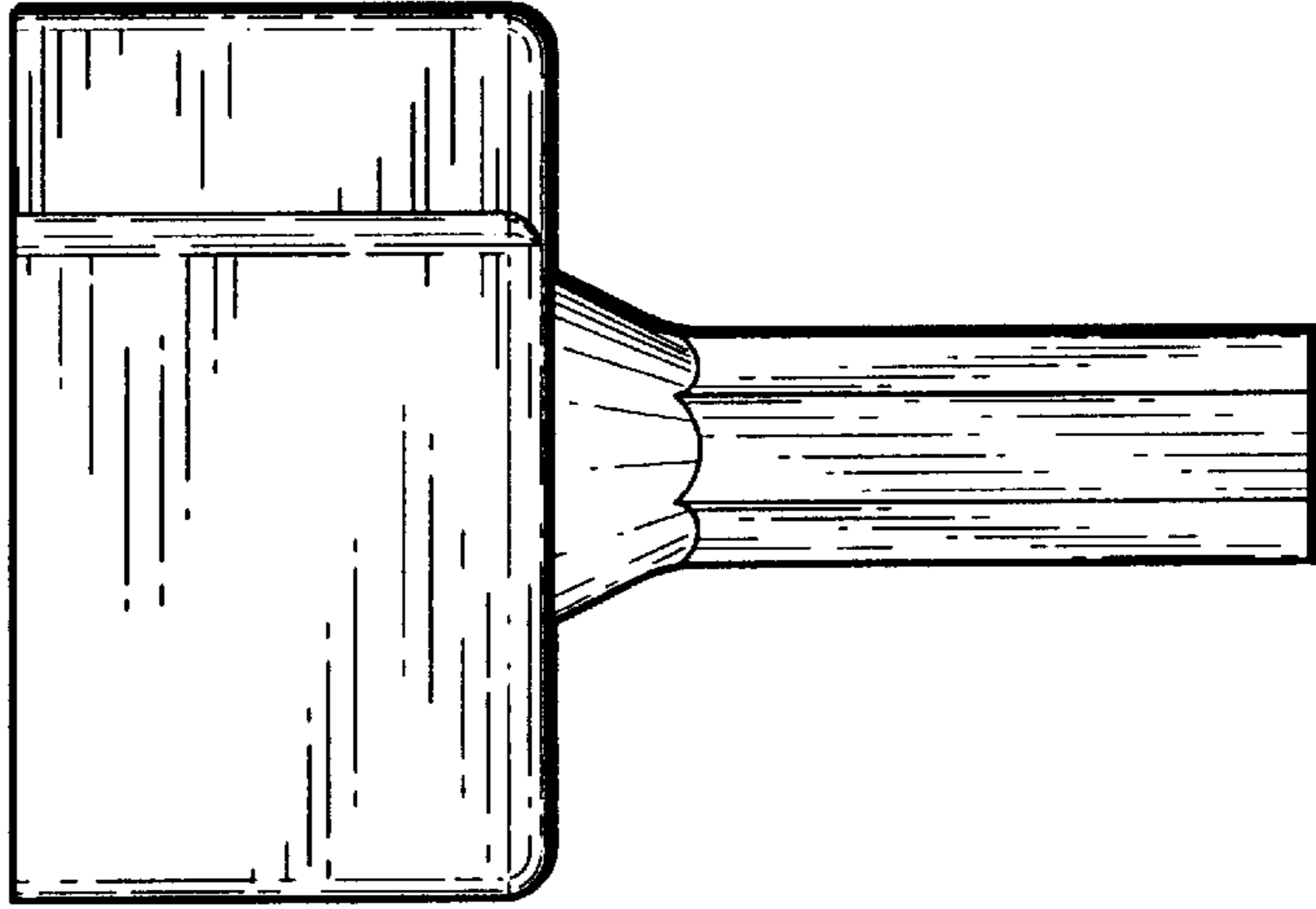


Fig. 1

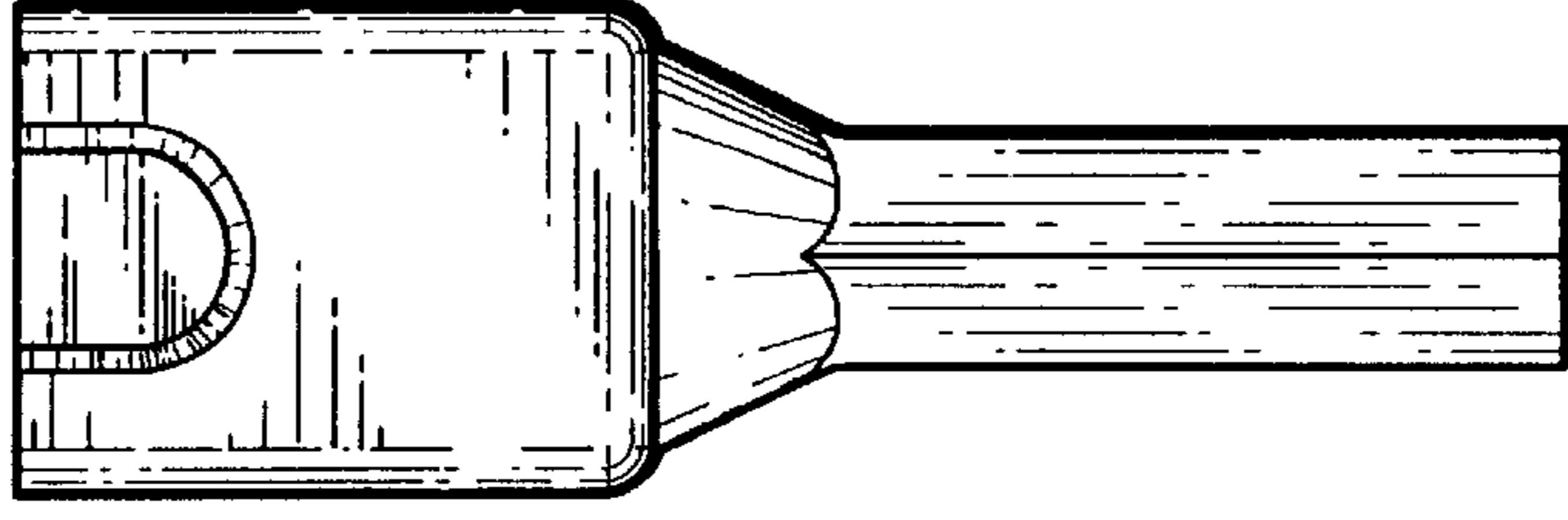


Fig. 2

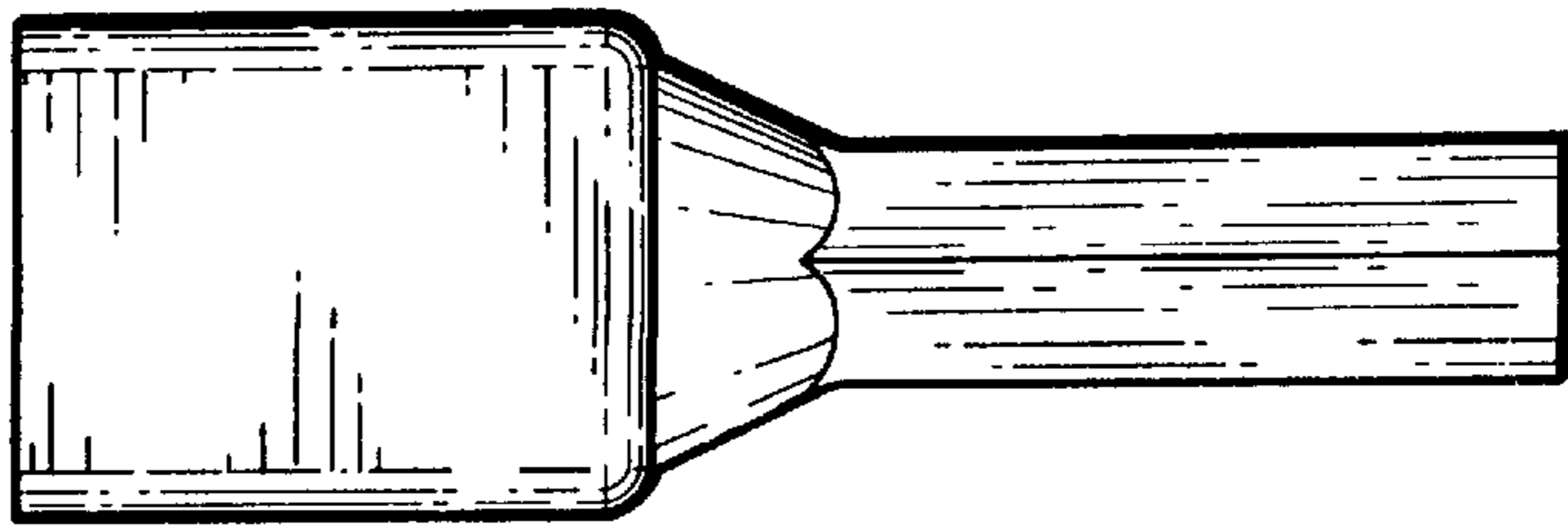


Fig. 3

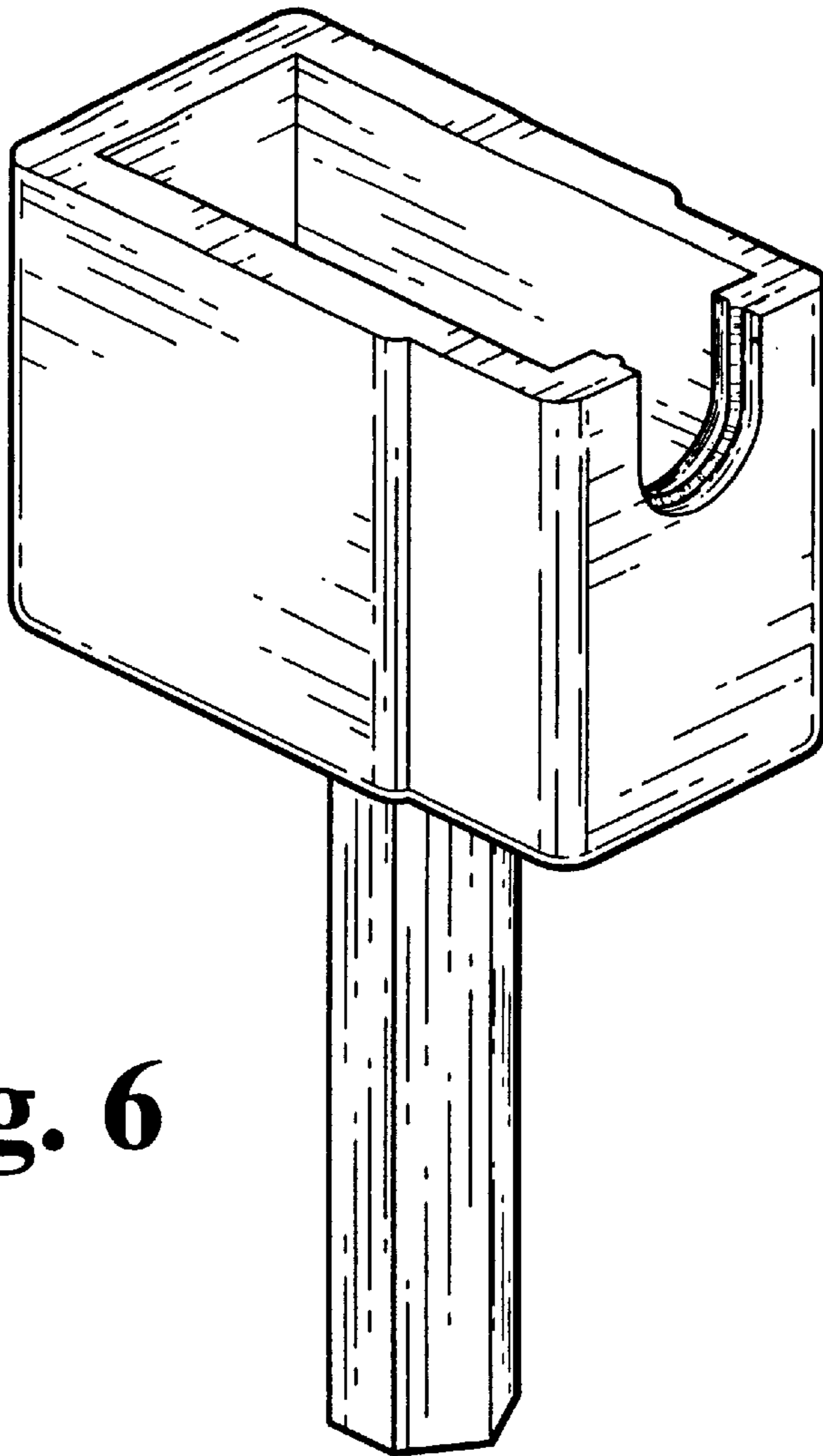


Fig. 6

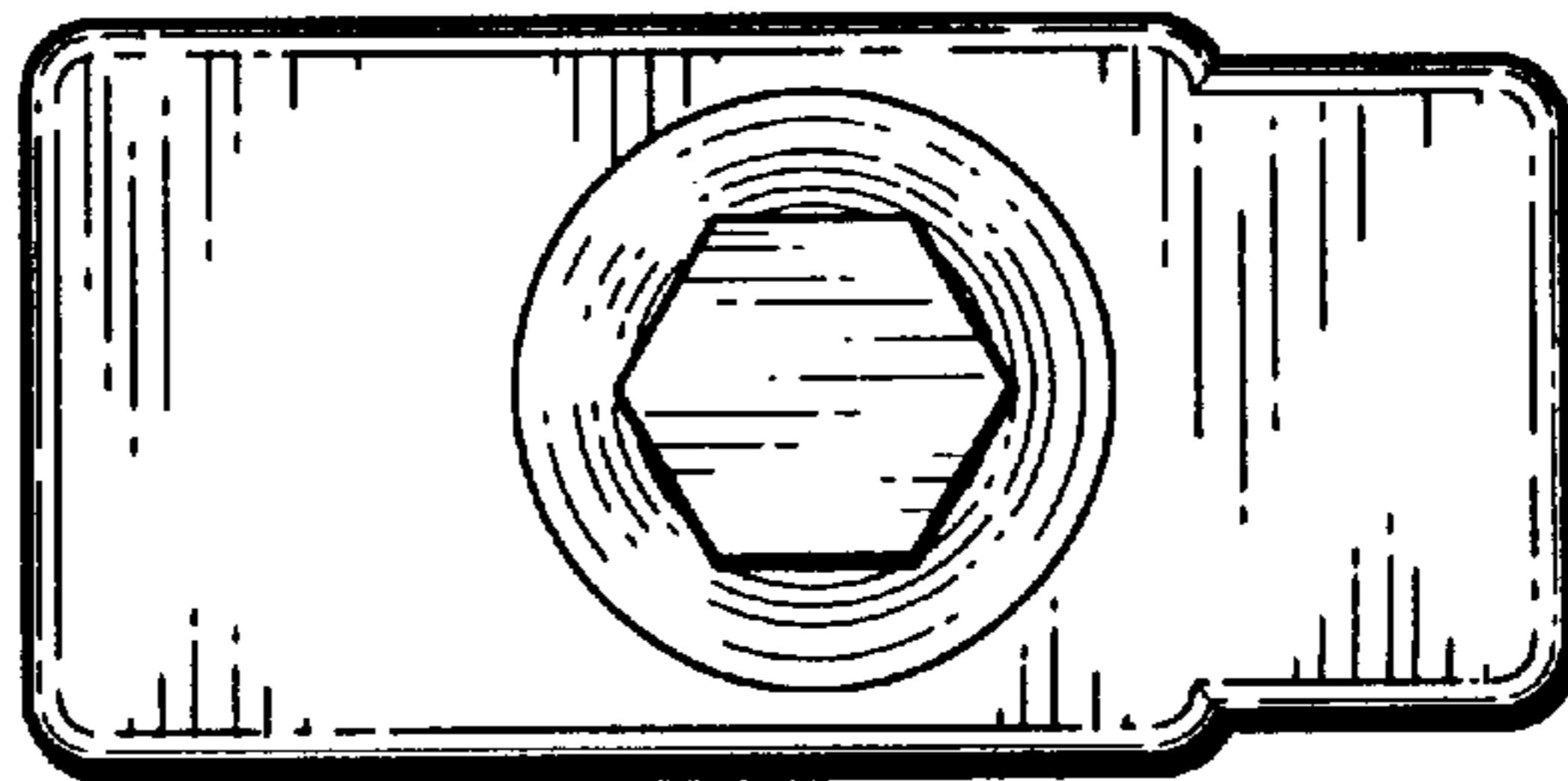


Fig. 5