



US00D421880S

United States Patent [19] Stills

[11] **Patent Number: Des. 421,880**

[45] **Date of Patent: ** Mar. 28, 2000**

[54] **FORK**

[75] Inventor: **James L. Stills**, Ashville, Ala.

[73] Assignee: **Stills, Inc**, Ashville, Ala.

[**] Term: **14 Years**

[21] Appl. No.: **29/100,972**

[22] Filed: **Feb. 22, 1999**

[51] **LOC (6) Cl.** **07-04**

[52] **U.S. Cl.** **D7/683; D7/686**

[58] **Field of Search** D7/683, 686; 30/129,
30/322, 323; 294/99.1, 99.2, 118, 119

[56] **References Cited**

U.S. PATENT DOCUMENTS

D. 402,860	12/1998	Stills	D7/683
540,958	6/1895	Dow	30/129
1,065,433	6/1913	Dow et al.	30/129

Primary Examiner—Terry A. Wallace
Attorney, Agent, or Firm—Robert J. Veal; Veal & Bush, LLC

[57] **CLAIM**

The ornamental design for the fork, as shown and described.

DESCRIPTION

FIG. 1 is a perspective view of a fork showing my new design;

FIG. 2 is a side elevational view thereof;

FIG. 3 a side elevational view of the side opposite that shown in FIG. 2;

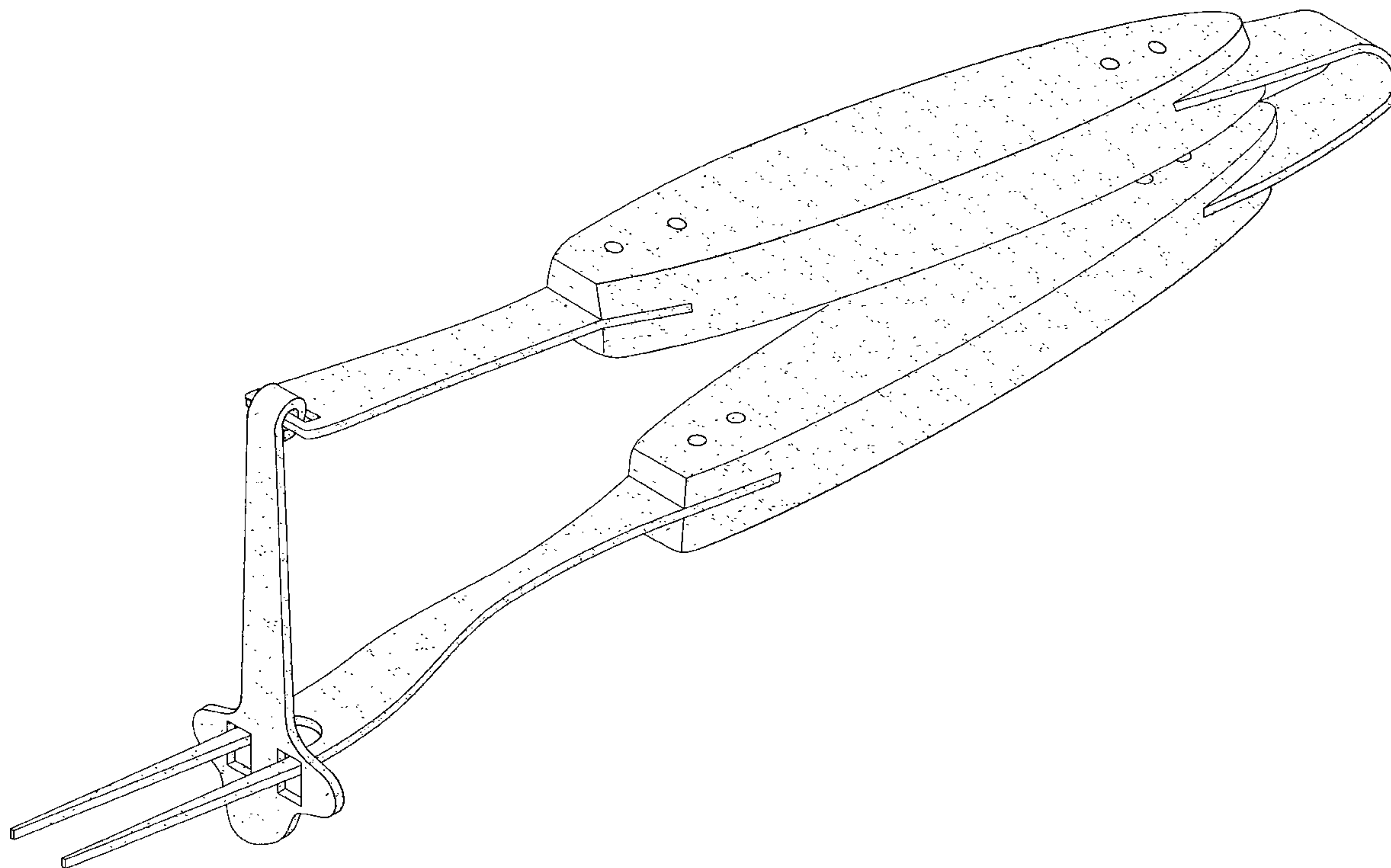
FIG. 4 is a top plan view thereof;

FIG. 5 is a bottom view thereof;

FIG. 6 is an end elevational view thereof; and,

FIG. 7 is a end elevational view of the end opposite that shown in FIG. 6.

1 Claim, 2 Drawing Sheets



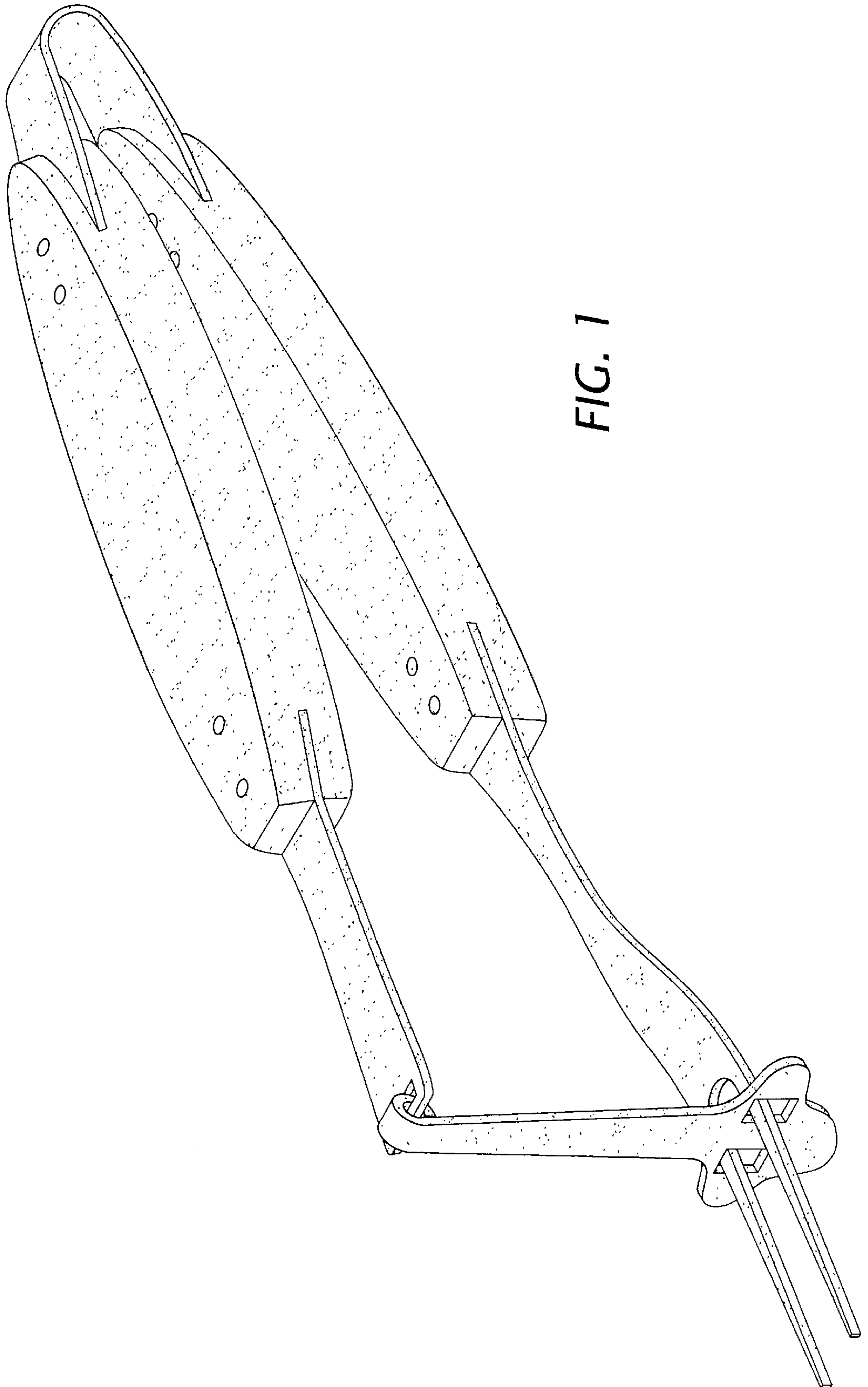


FIG. 1

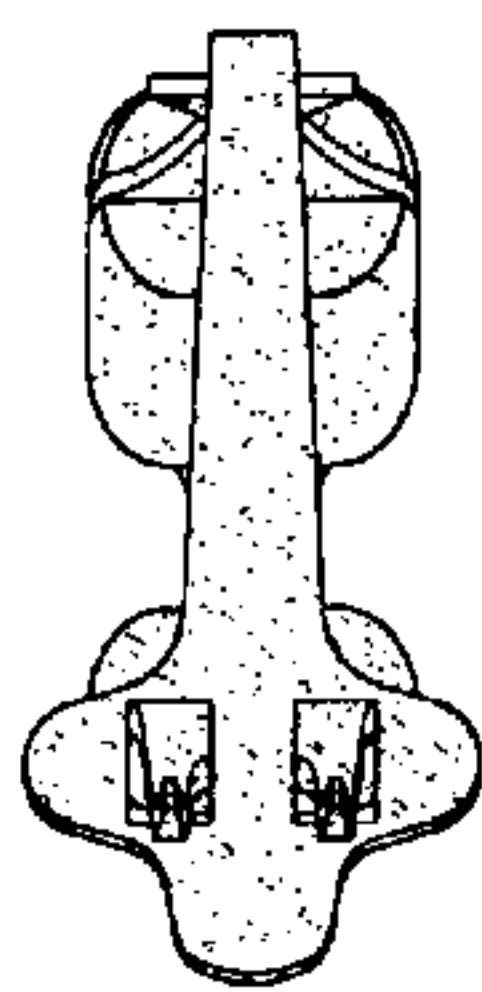
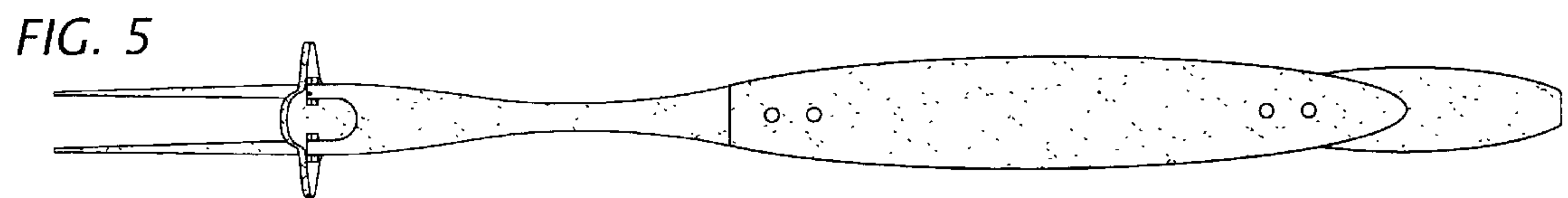
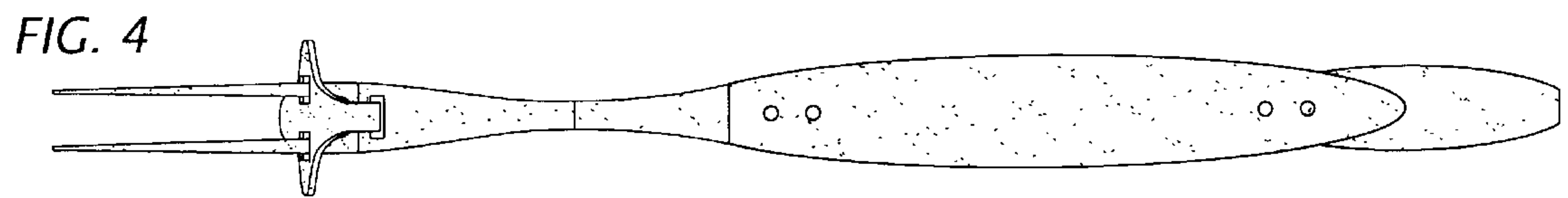
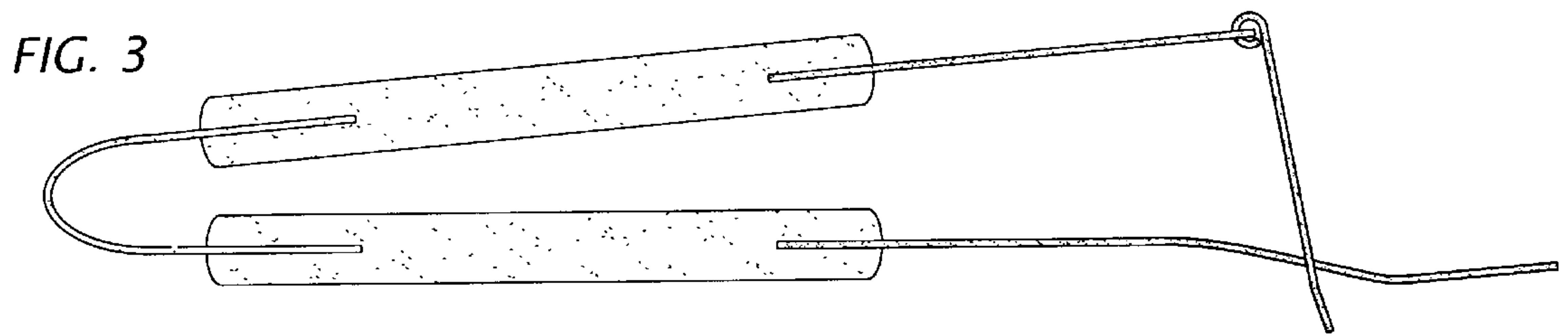
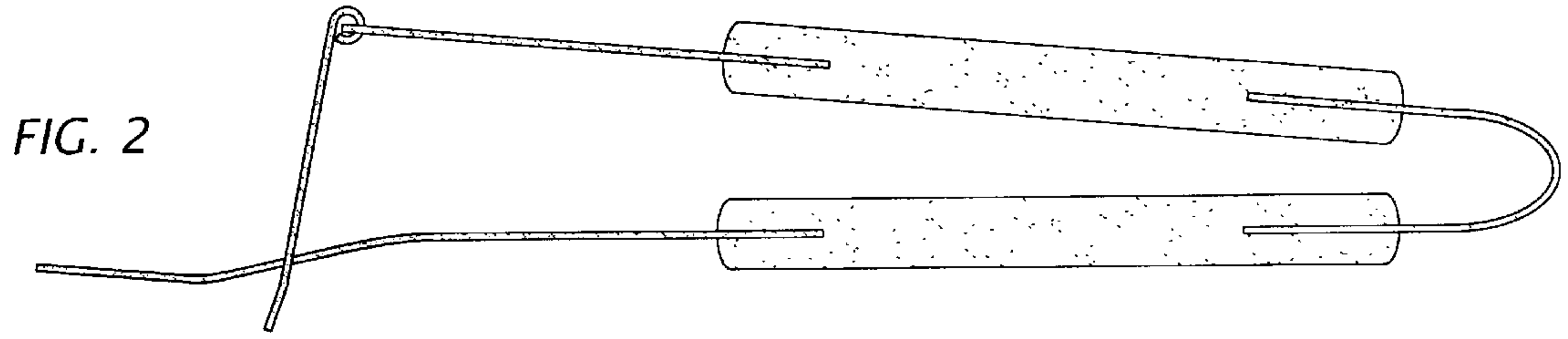


FIG. 6

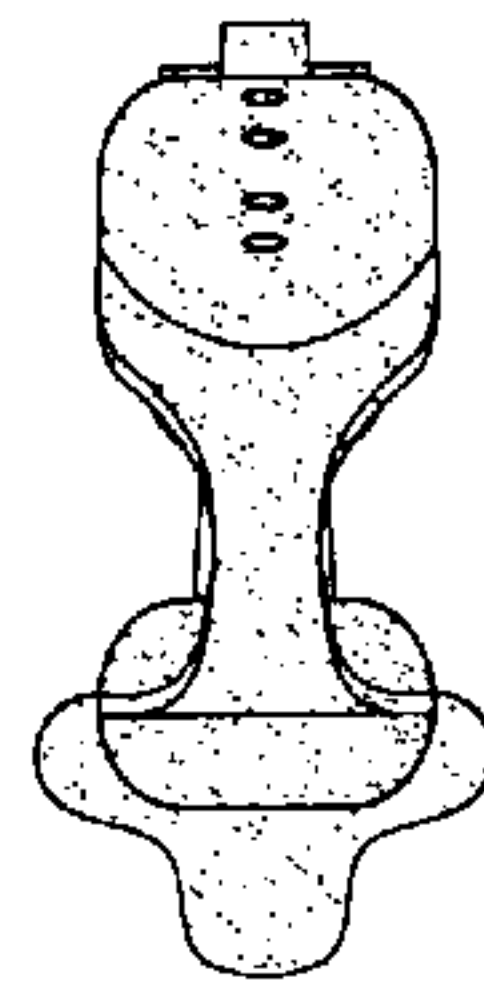


FIG. 7