



US00D421879S

United States Patent [19]

Miller et al.

[11] Patent Number: **Des. 421,879**

[45] Date of Patent: **** Mar. 28, 2000**

[54] **KNIFE BLOCK WITH SLOT RECESS**

4,966,339 10/1990 Lu 248/37.3

[75] Inventors: **D. Scott Miller**, Orlando; **Morison S. Cousins**, Winter Park; **Samuel E. Hodges**, Leesburg, all of Fla.

Primary Examiner—Terry A. Wallace
Attorney, Agent, or Firm—Taylor J. Ross

[73] Assignee: **Dart Industries Inc.**, Orlando, Fla.

[57] **CLAIM**

[**] Term: **14 Years**

The ornamental design for a knife block with slot recess, as shown and described.

[21] Appl. No.: **29/107,300**

DESCRIPTION

[22] Filed: **Jun. 30, 1999**

FIG. 1 is a top, side and front perspective view of a knife block with slot recess showing the new design;
FIG. 2 is a bottom, side and front perspective view thereof;
FIG. 3 is a front elevation view thereof;
FIG. 4 is a rear elevation view thereof;
FIG. 5 is a left side elevation view thereof;
FIG. 6 is a right side elevation view thereof;
FIG. 7 is a top plan view thereof; and,
FIG. 8 is a bottom plan view thereof.

[51] **LOC (6) Cl.** **07-99**

[52] **U.S. Cl.** **D7/637**

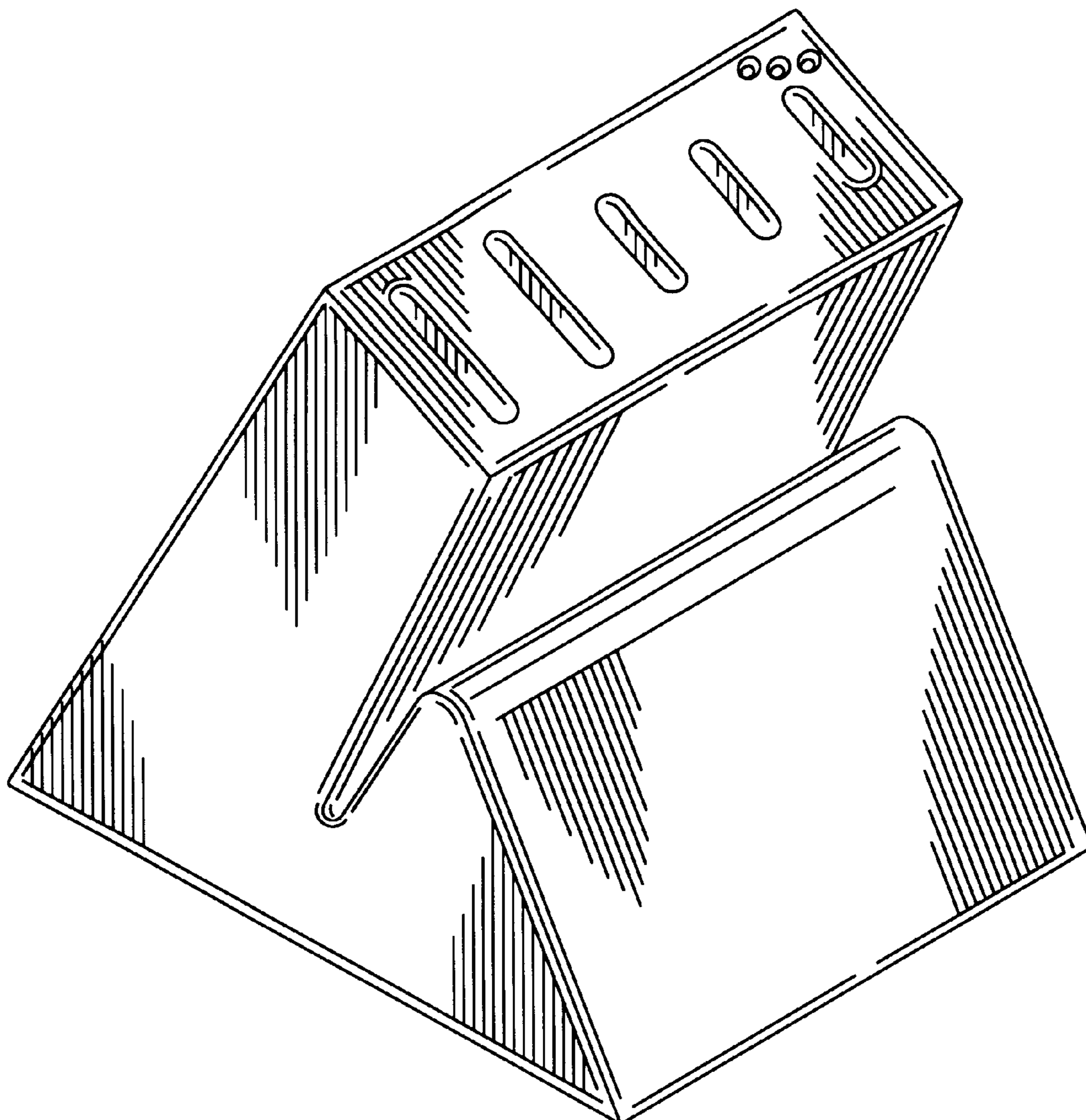
[58] **Field of Search** D7/637-641; 211/60.1, 211/70.6, 70.7; 248/37.3

[56] **References Cited**

U.S. PATENT DOCUMENTS

D. 366,990 2/1996 Cheung D7/637

1 Claim, 4 Drawing Sheets



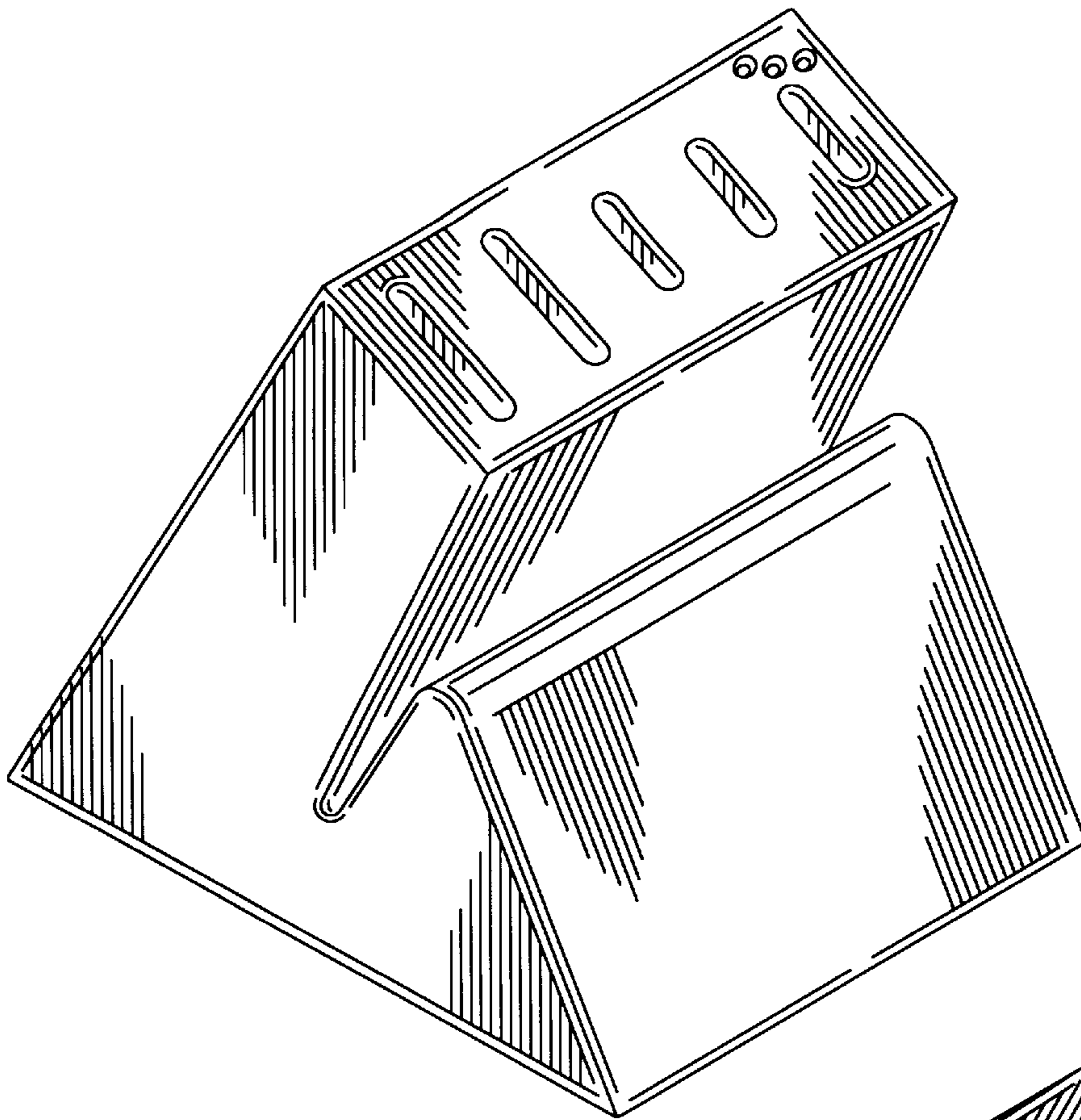


FIG. 1

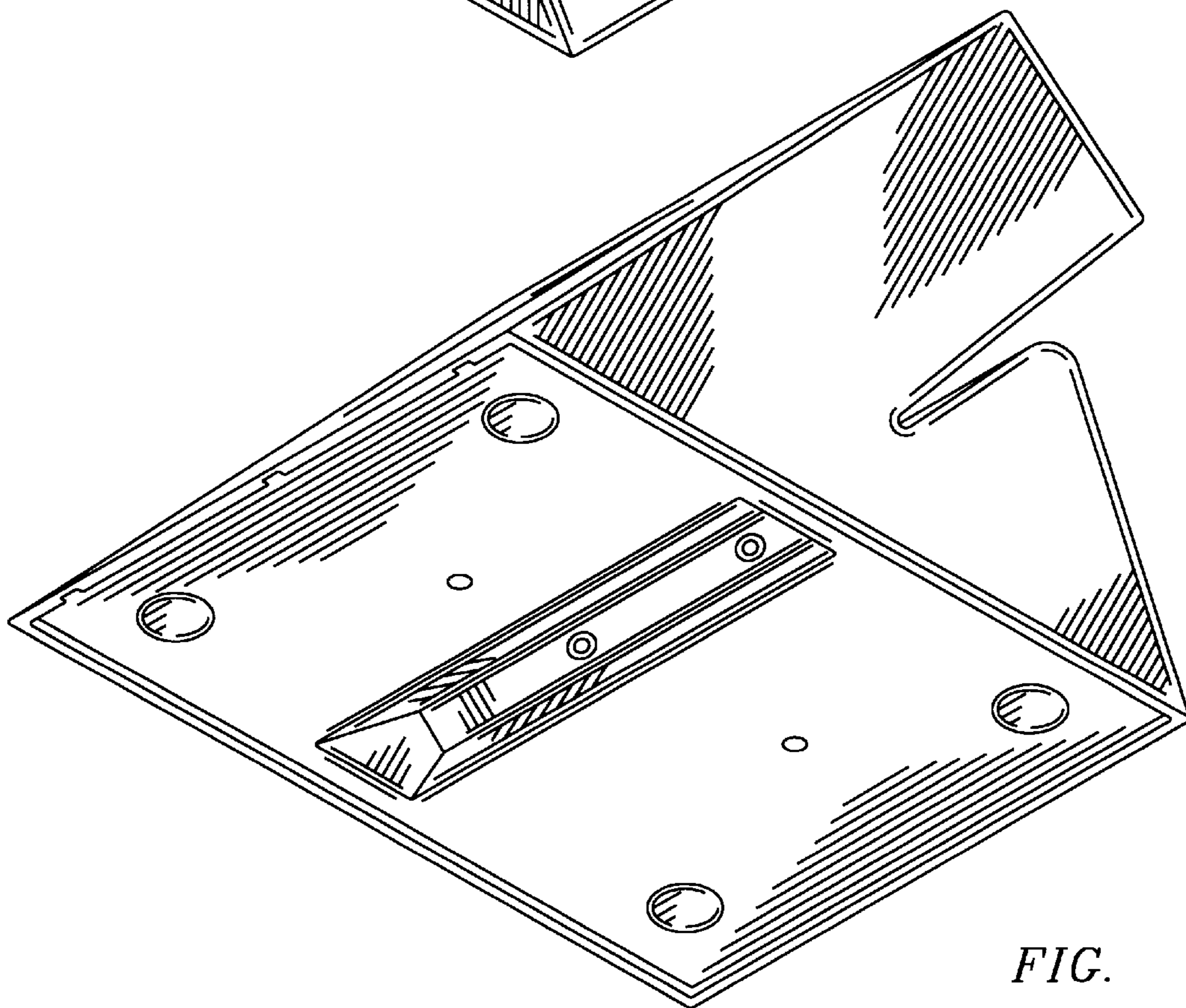


FIG. 2

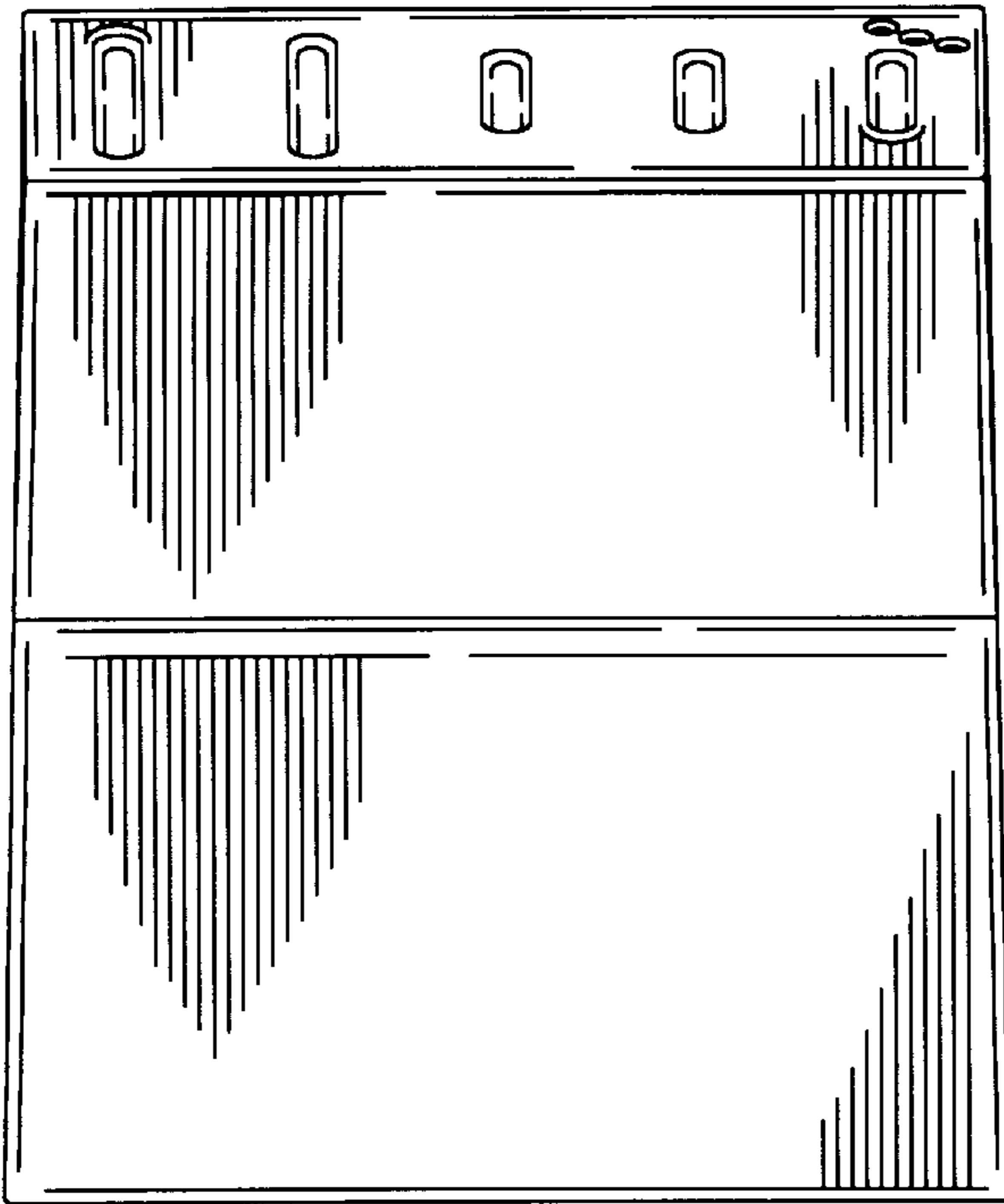


FIG. 3

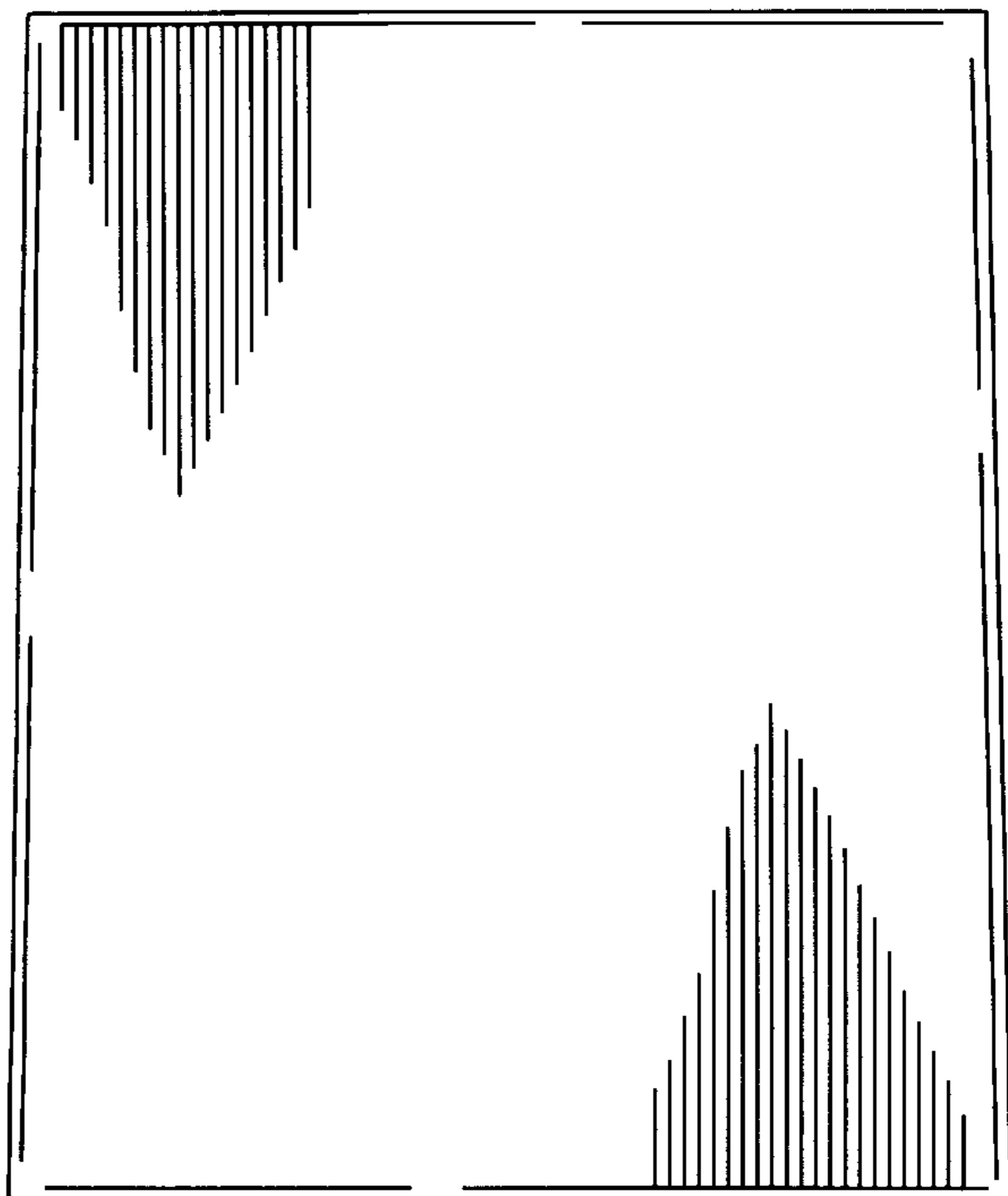


FIG. 4

FIG. 5

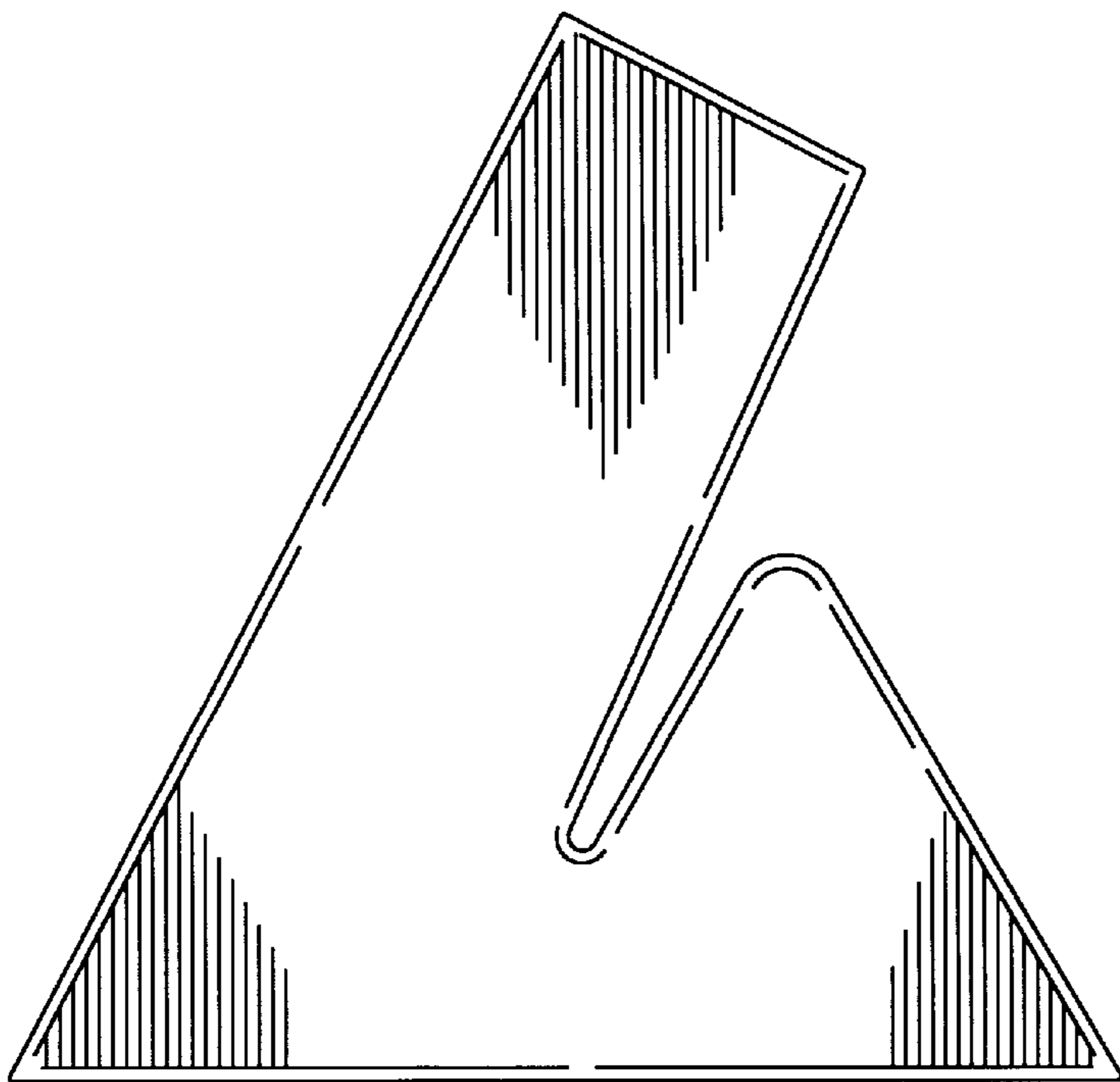
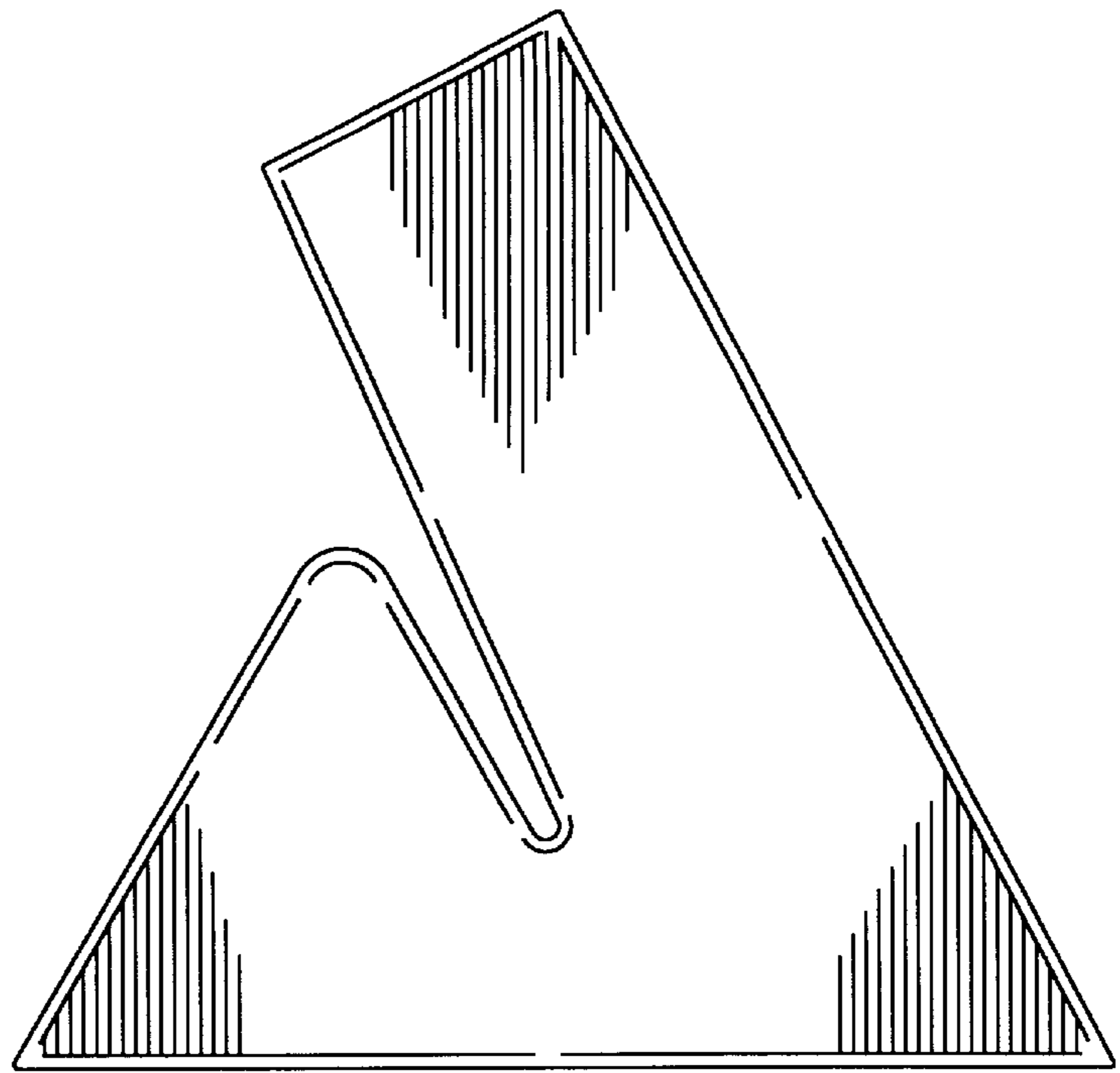


FIG. 6

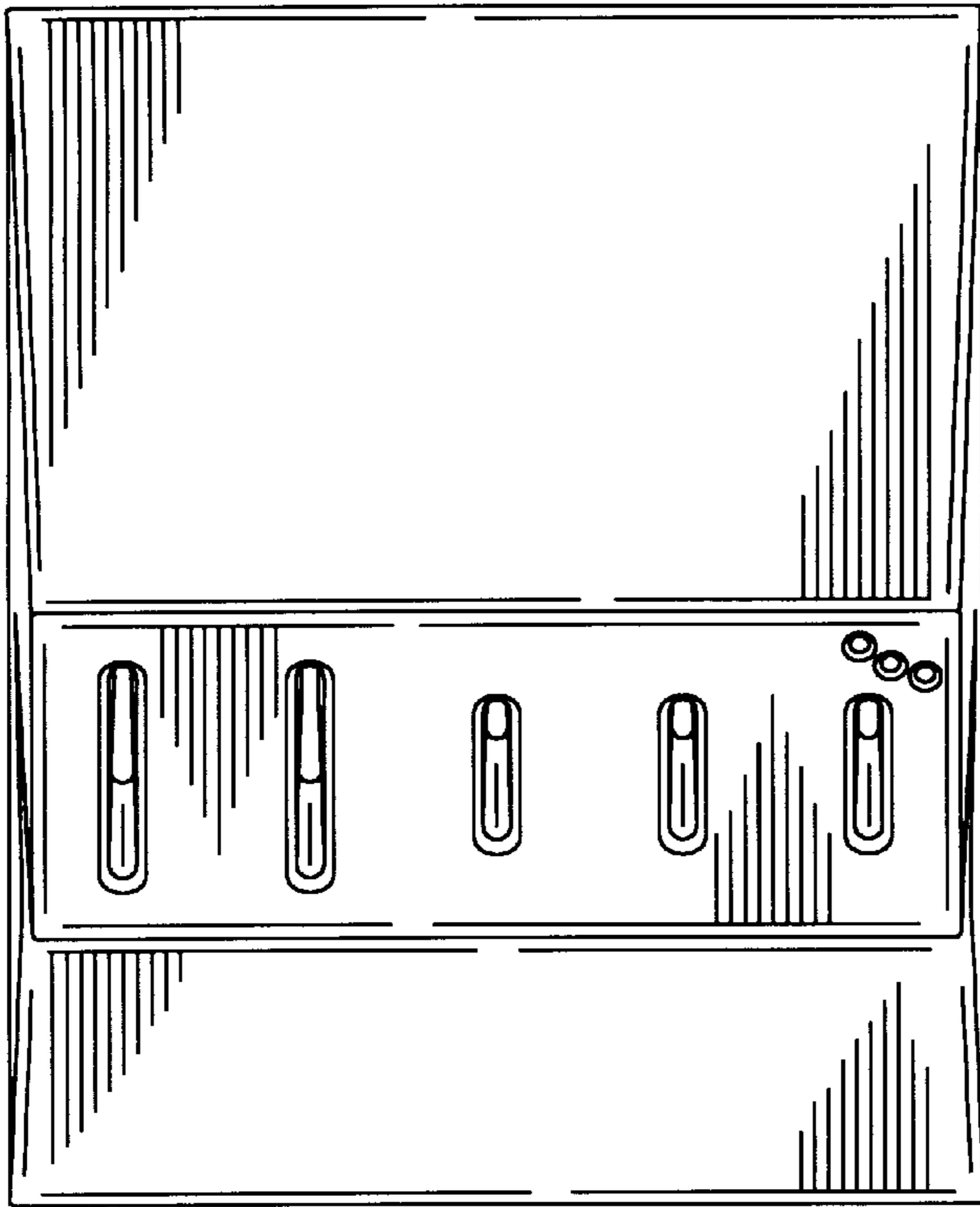


FIG. 7

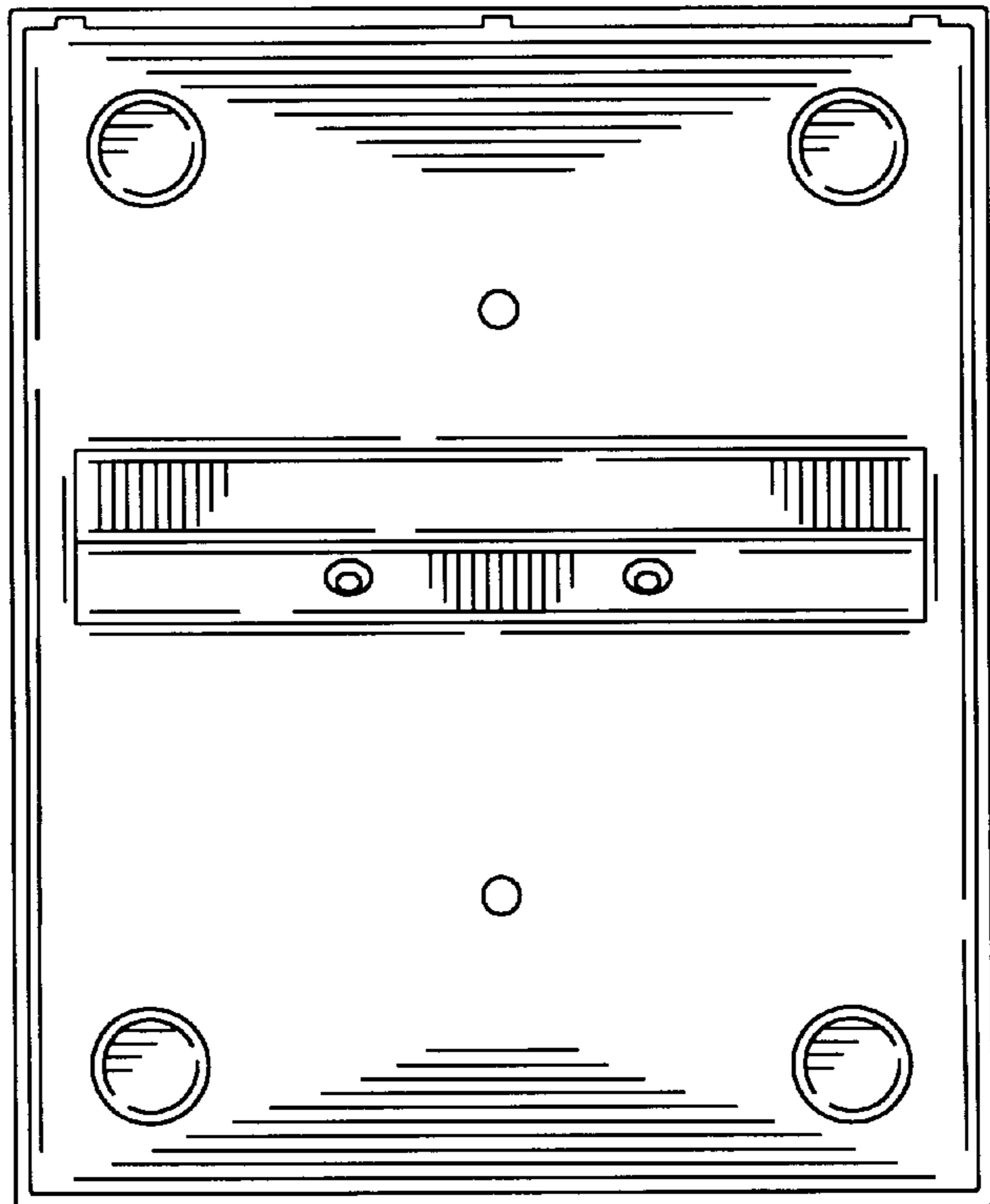


FIG. 8