



US00D421873S

United States Patent [19] Sundberg

[11] **Patent Number: Des. 421,873**

[45] **Date of Patent: ** Mar. 28, 2000**

[54] **RIM FOR TABLEWARE**

843,109 2/1907 Sabin D7/356 X
5,269,717 12/1993 Tardif 220/574

[75] Inventor: **Brian C. Sundberg**, Chester, N.H.

Primary Examiner—M. N. Pandozzi

[73] Assignee: **Safety 1st, Inc.**, Canton, Mass.

Attorney, Agent, or Firm—Wolf, Greenfield & Sacks, P.C.

[**] Term: **14 Years**

[57] **CLAIM**

[21] Appl. No.: **29/100,373**

The ornamental design for a rim for tableware, as shown and described.

[22] Filed: **Feb. 10, 1999**

DESCRIPTION

[51] **LOC (6) Cl.** **07-99**

FIG. 1 is a perspective view of a rim for tableware showing my new design;

[52] **U.S. Cl.** **D7/396.5; D7/376.1; D7/588**

FIG. 2 is a top plan view thereof, the broken line suggestion of a tableware forms no part of the present invention;

[58] **Field of Search** D7/393, 396.4, D7/396.1, 585, 396.5, 554.7, 544, 504, 503, 611, 619, 552.1, 547, 629, 607, 502, 501, 505, 538, 540, 541, 542, 543, 545, 546, 549, 533.6, 553.7, 558, 555, 557, 562, 564, 565, 572, 576, 608, 357, 360, 359, 356; 220/23.8, 23.83, 628, 575

FIG. 3 is a front elevation view thereof, the rear elevation view being identical thereto, the broken line suggestion of the bowl forms no part of the present invention;

FIG. 4 is a left side elevation view thereof, the right side elevation view being identical thereto;

[56] **References Cited**

U.S. PATENT DOCUMENTS

D. 39,588	9/1908	Straker, Jr.	D7/396.5
D. 62,679	7/1923	Wanerman	D7/558
D. 101,242	9/1936	Poglein	D7/588
D. 292,165	10/1987	Oh	D7/360
D. 310,930	10/1990	Unger	D7/586
D. 364,998	12/1995	Held	D7/545

FIG. 5 is a perspective view of a second embodiment of the rim;

FIG. 6 is a top plan view thereof;

FIG. 7 is a front elevation thereof, and rear elevation view being identical thereto; and,

FIG. 8 is a left side elevation view thereof, a right side elevation view being identical thereto.

1 Claim, 3 Drawing Sheets

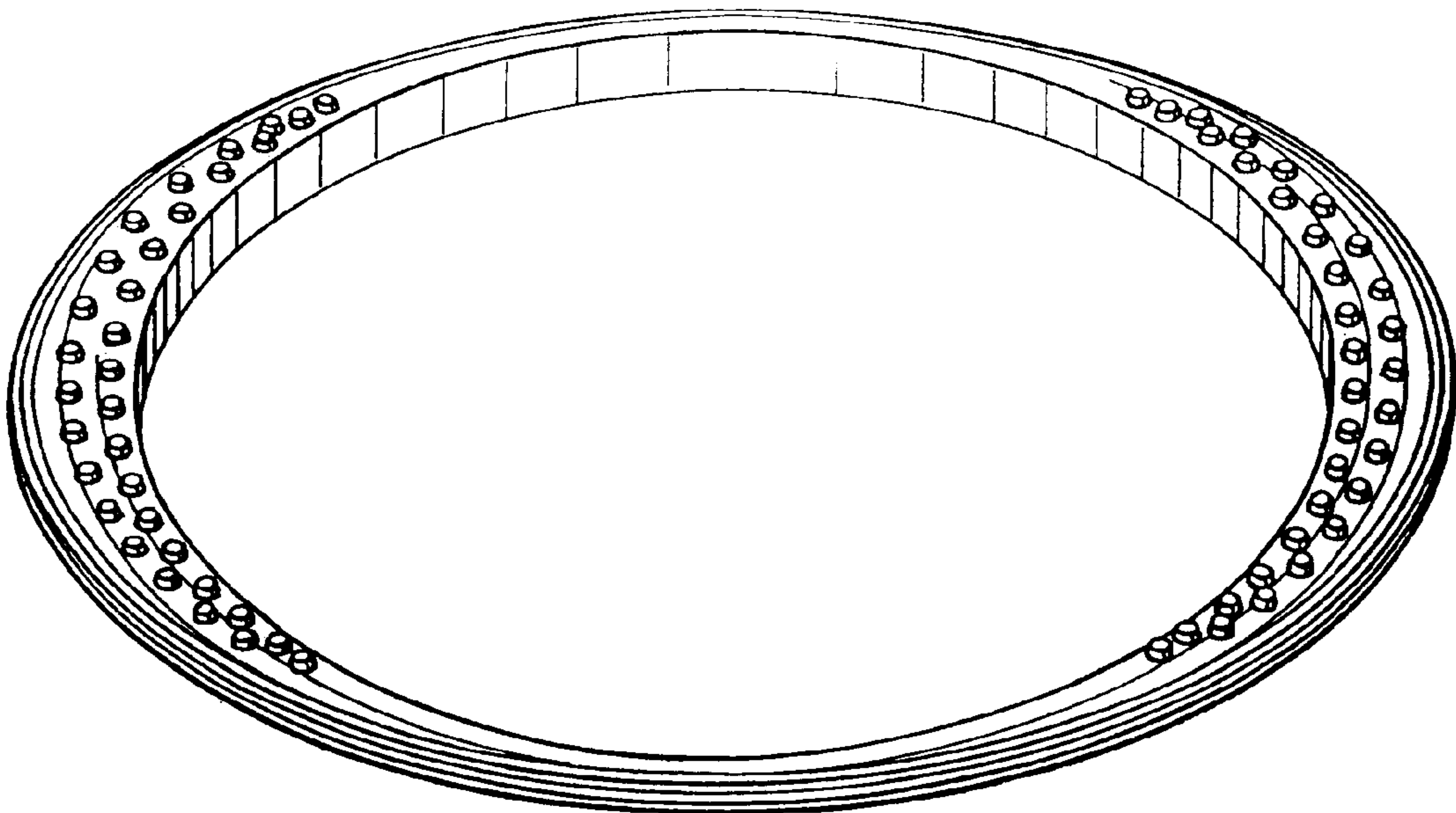


Fig. 1

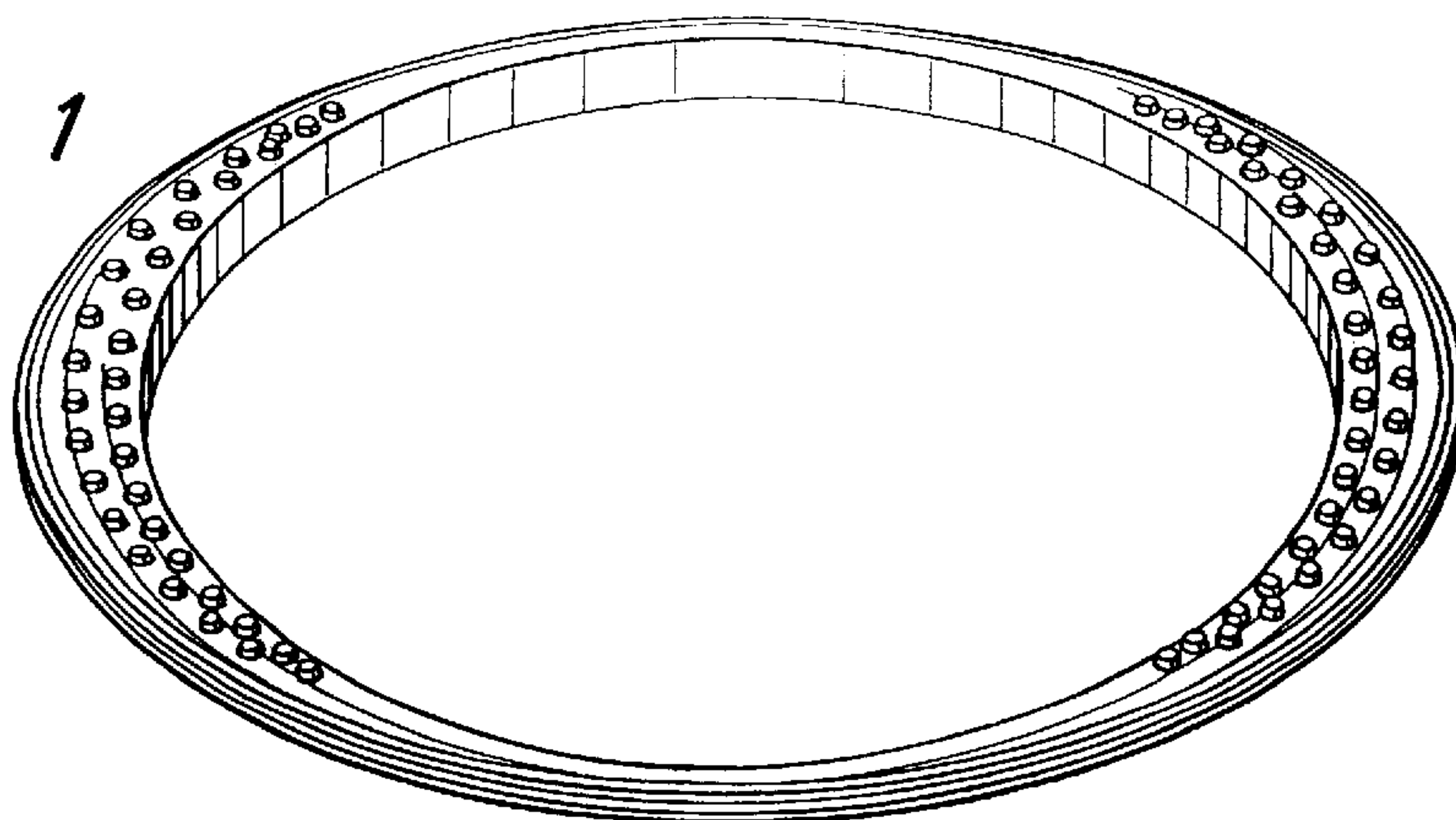


Fig. 2

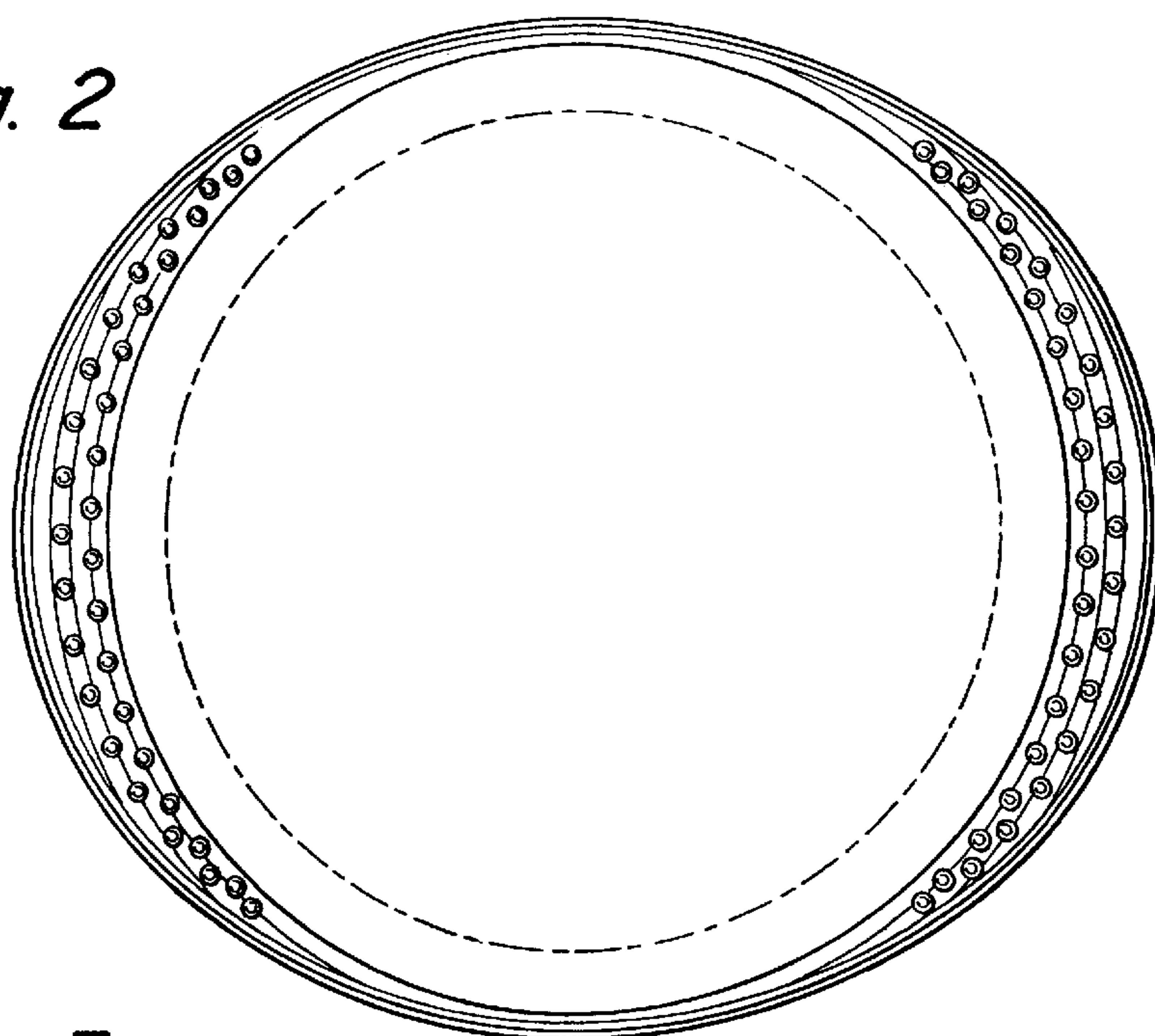


Fig. 3

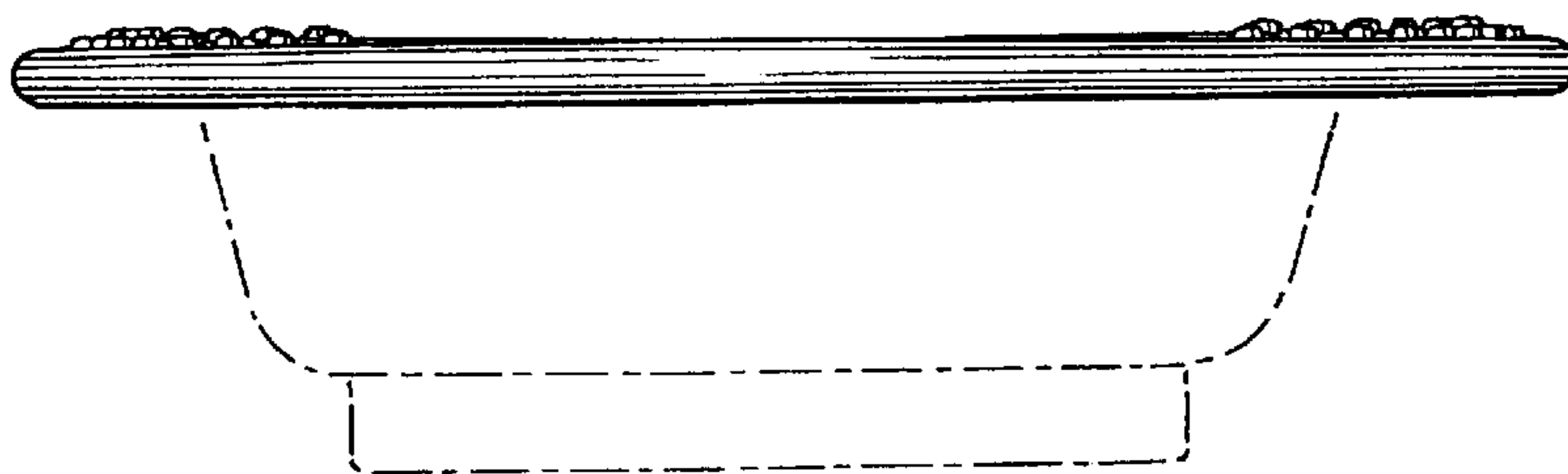


Fig. 4

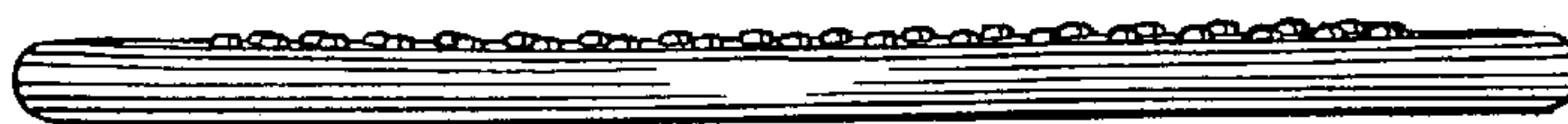


Fig. 5

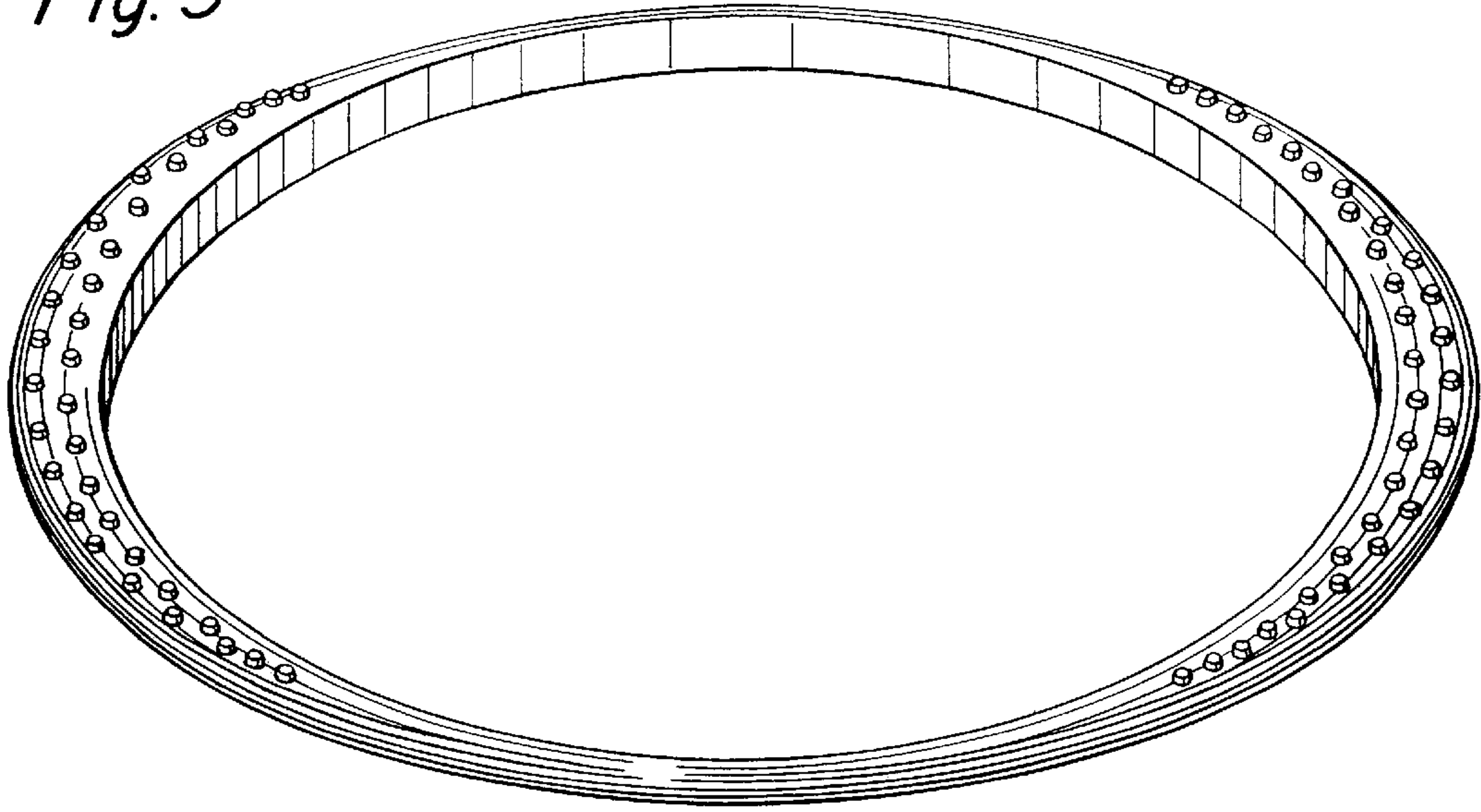


Fig. 6

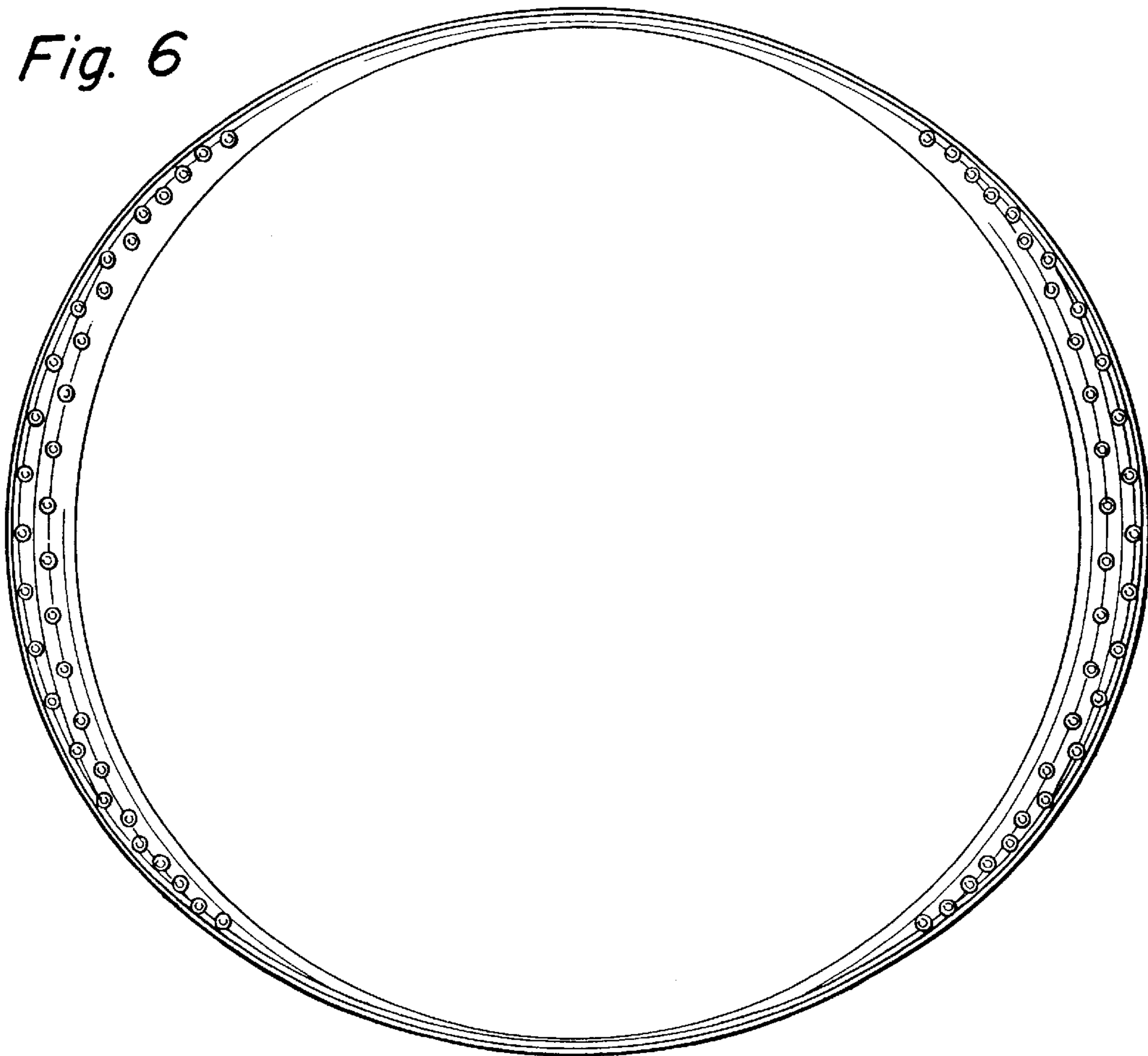


Fig. 7

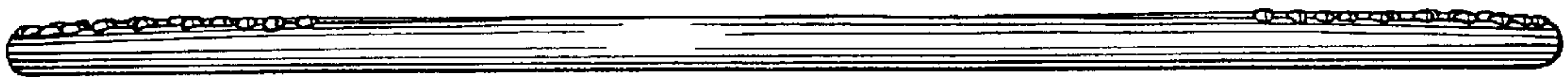


Fig. 8

