



US00D421872S

United States Patent [19] Wong

[11] **Patent Number: Des. 421,872**
[45] **Date of Patent: ** Mar. 28, 2000**

[54] **HAND-HELD ELECTRIC MIXER**

DESCRIPTION

[76] Inventor: **Stephen Wong**, No. 5 Shek Pai Tau Road, Tuen Mun, N. T., The Hong Kong Special Administrative Region of the People's Republic of China

[**] Term: **14 Years**

[21] Appl. No.: **29/106,284**

[22] Filed: **Jun. 11, 1999**

[51] **LOC (6) Cl. 31-00**

[52] **U.S. Cl. D7/376**

[58] **Field of Search** D7/376-386; D8/373, D8/349; 248/37.6, 74.1, 111, 312, 314; 366/129, 130, 197, 199, 204, 205, 314

[56] **References Cited**

U.S. PATENT DOCUMENTS

D. 121,299	7/1940	Krebs	D7/379
D. 358,293	5/1995	Sebastia	D7/376
365,555	6/1887	Tolman	248/314 X
769,846	9/1904	Stocker	248/312 X
3,117,769	1/1964	Spingler	366/129
3,305,199	2/1967	Bayes et al.	248/74.1

Primary Examiner—Caron D. Veynar
Attorney, Agent, or Firm—Limbach & Limbach L.L.P.

[57] **CLAIM**

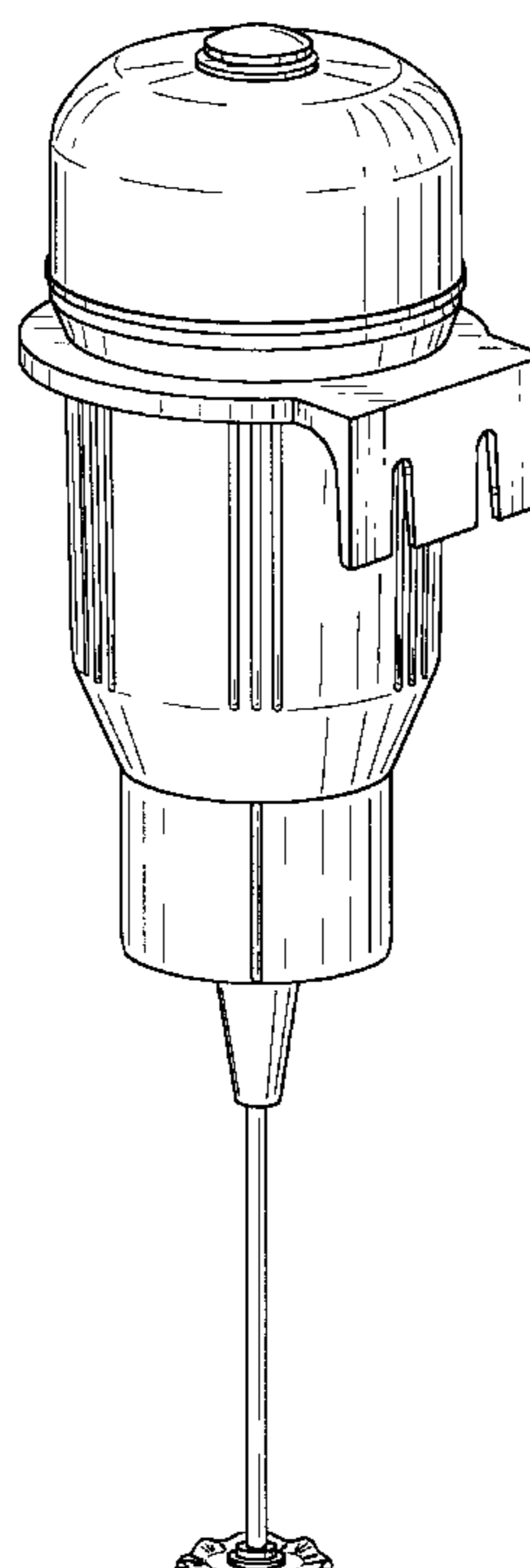
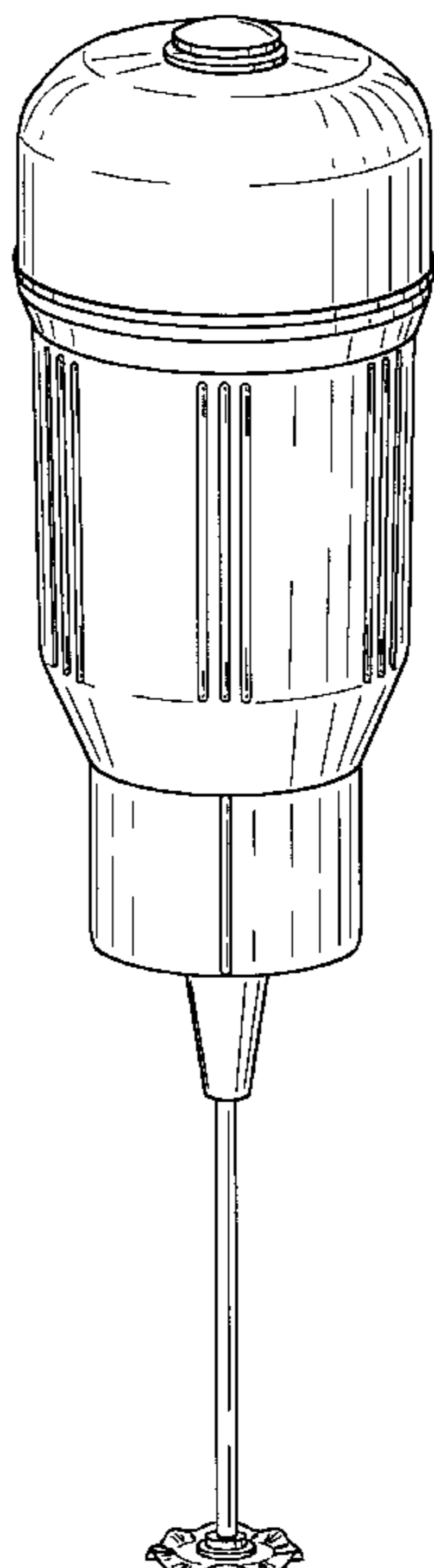
The ornamental design for a hand-held electric mixer, as shown and described.

FIGS. 1 through 6 illustrate a first embodiment of the hand-held electric mixer showing my new design, in which:
FIG. 1 is a perspective view of the first embodiment of the hand-held electric mixer showing my new design;
FIG. 2 is a bottom plan view thereof;
FIG. 3 is a top plan view thereof;
FIG. 4 is a front elevational view thereof;
FIG. 5 is a rear elevational view thereof; and
FIG. 6 is a side elevational view thereof, the right side elevational view and the left side elevational view being identical.

FIGS. 7 through 12 illustrate an alternate embodiment of the hand-held electric mixer showing my new design, and including a bracket, in which:

FIG. 7 is a perspective view of the alternate embodiment of the hand-held electric mixer showing my new design;
FIG. 8 is a bottom plan view thereof;
FIG. 9 is a top plan view thereof;
FIG. 10 is a front elevational view thereof;
FIG. 11 is a rear elevational view thereof; and,
FIG. 12 is a side elevational view thereof, the right side elevational view and the left side elevational view being identical.

1 Claim, 6 Drawing Sheets



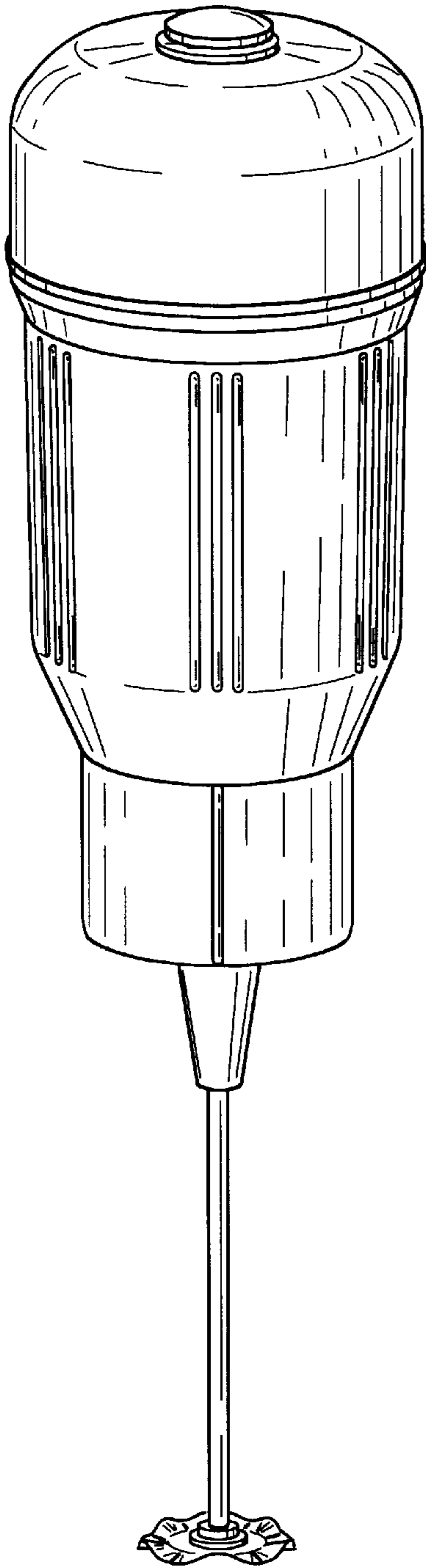


FIG. 1

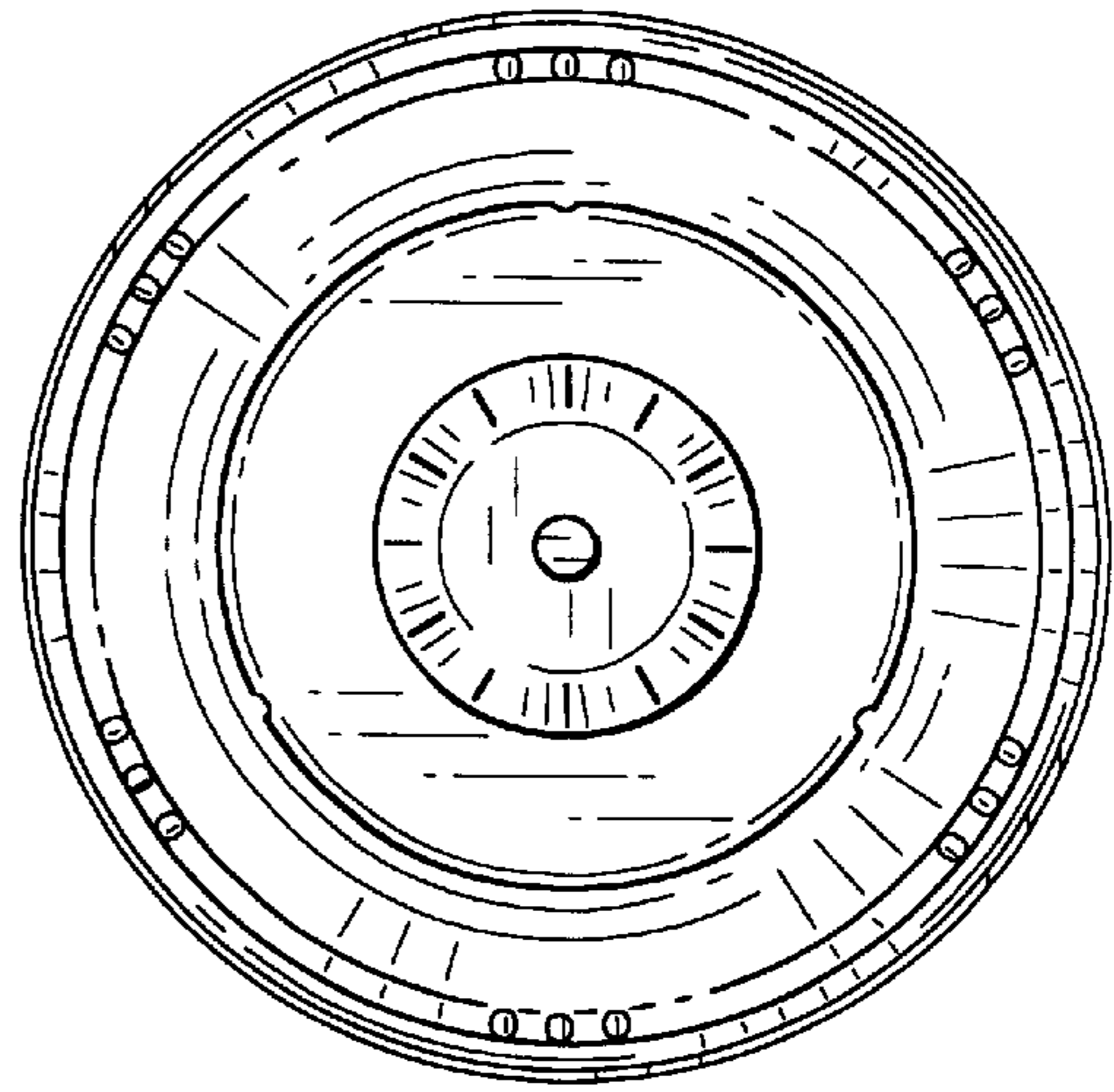


FIG. 2

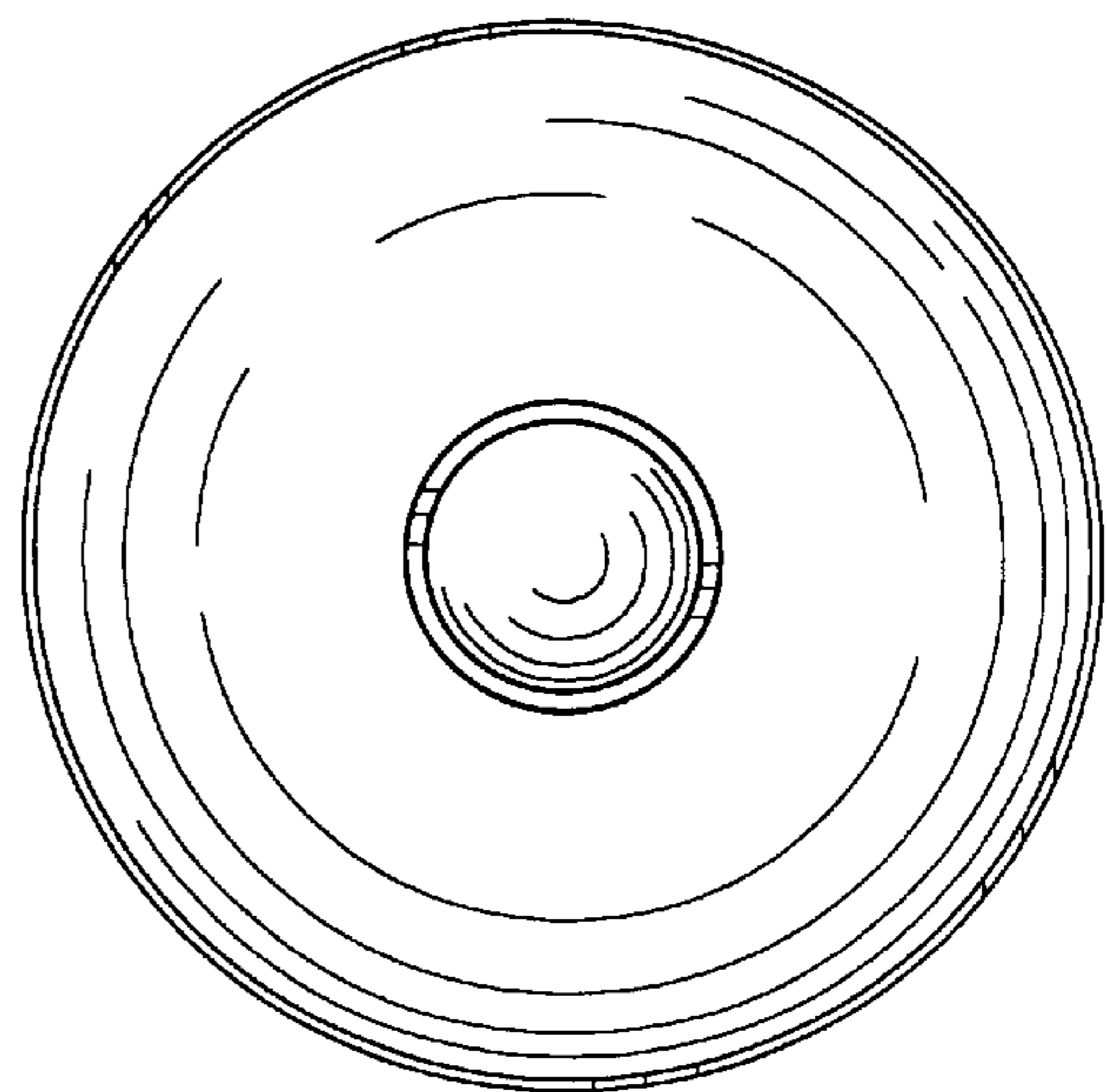


FIG. 3

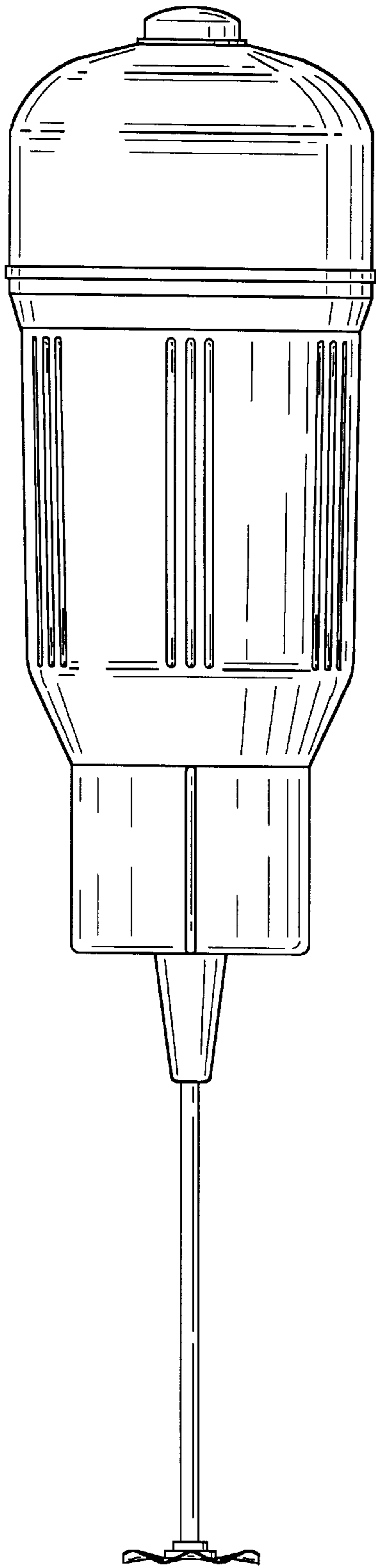


FIG. 4

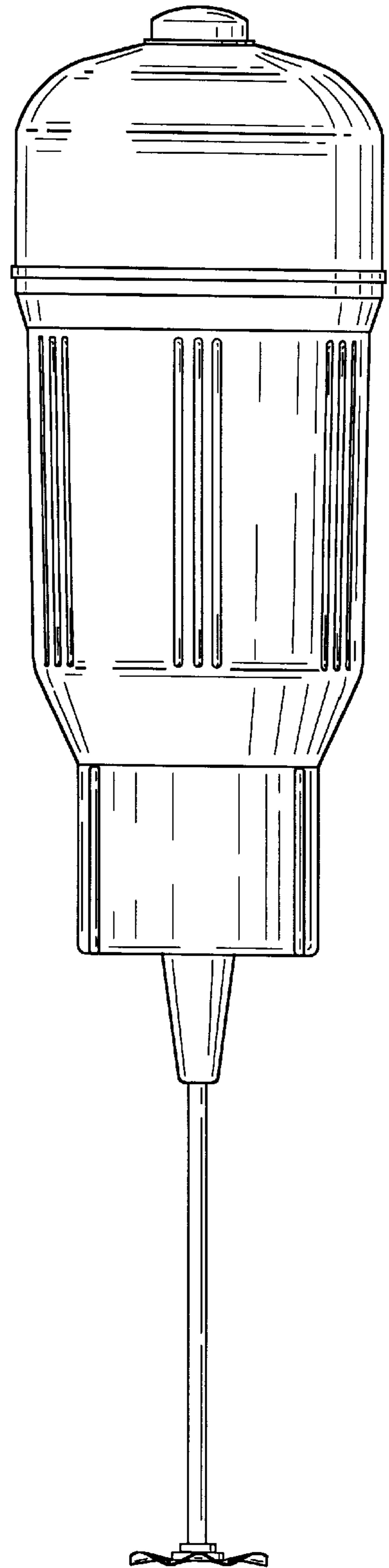


FIG. 5

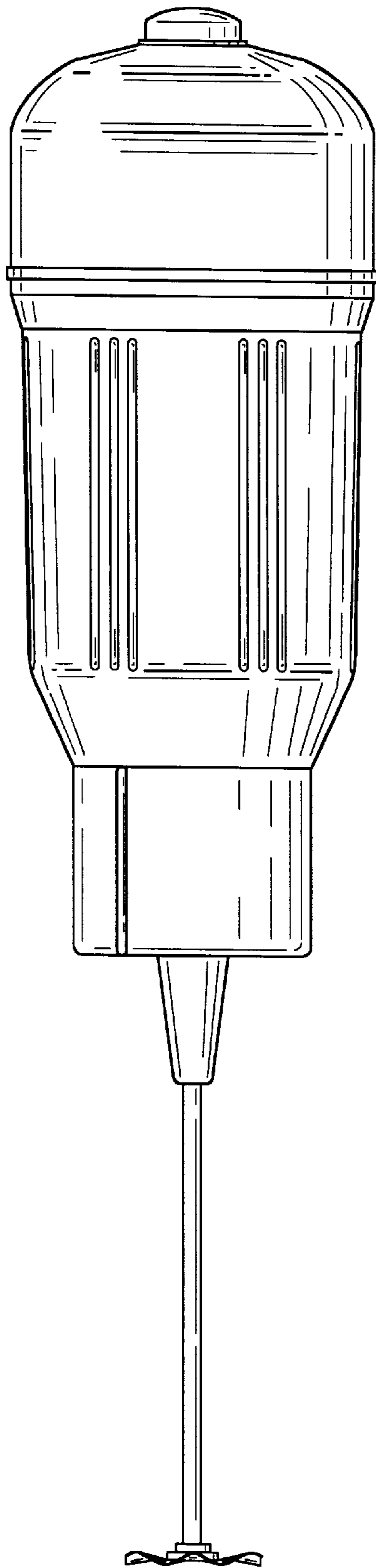


FIG. 6

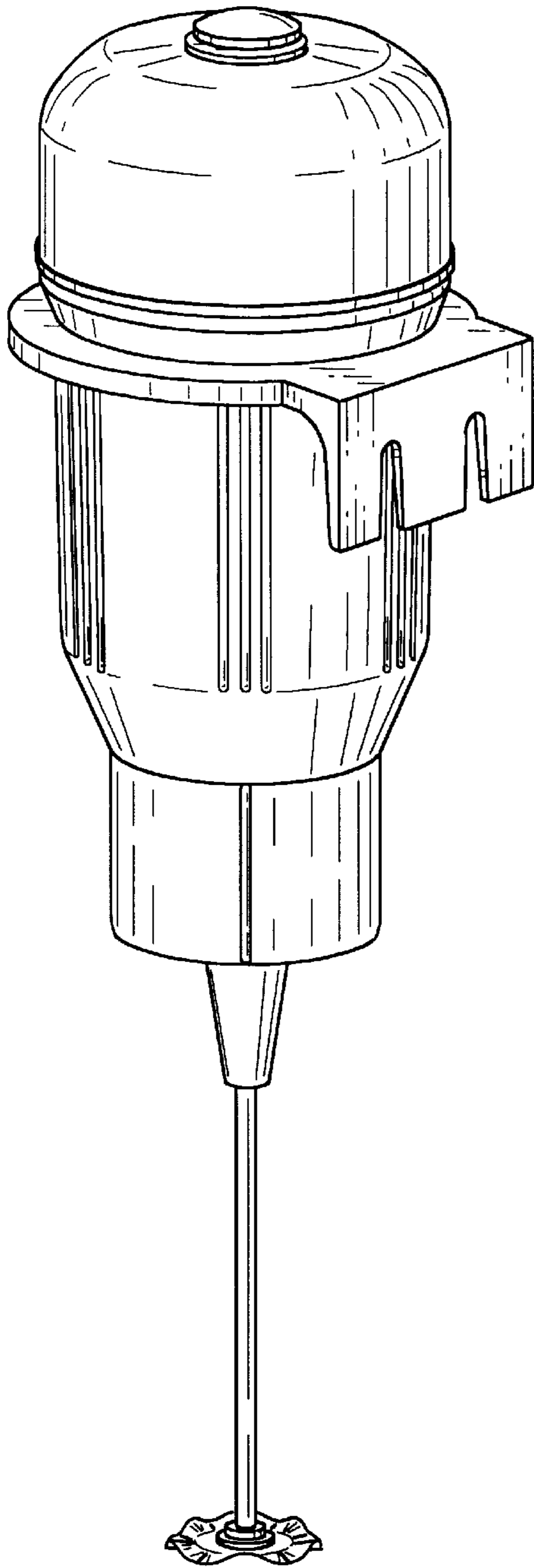


FIG. 7

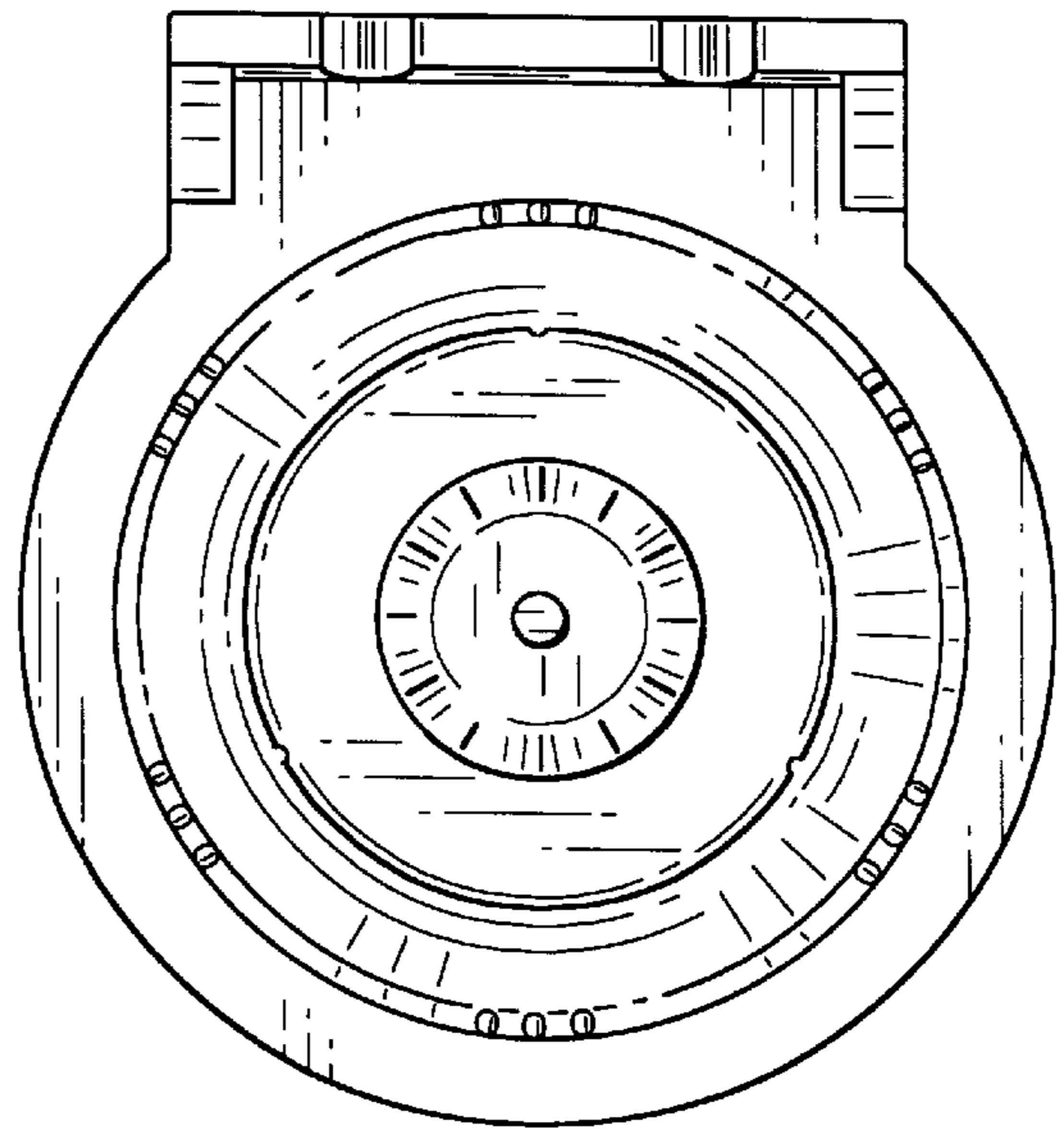


FIG. 8

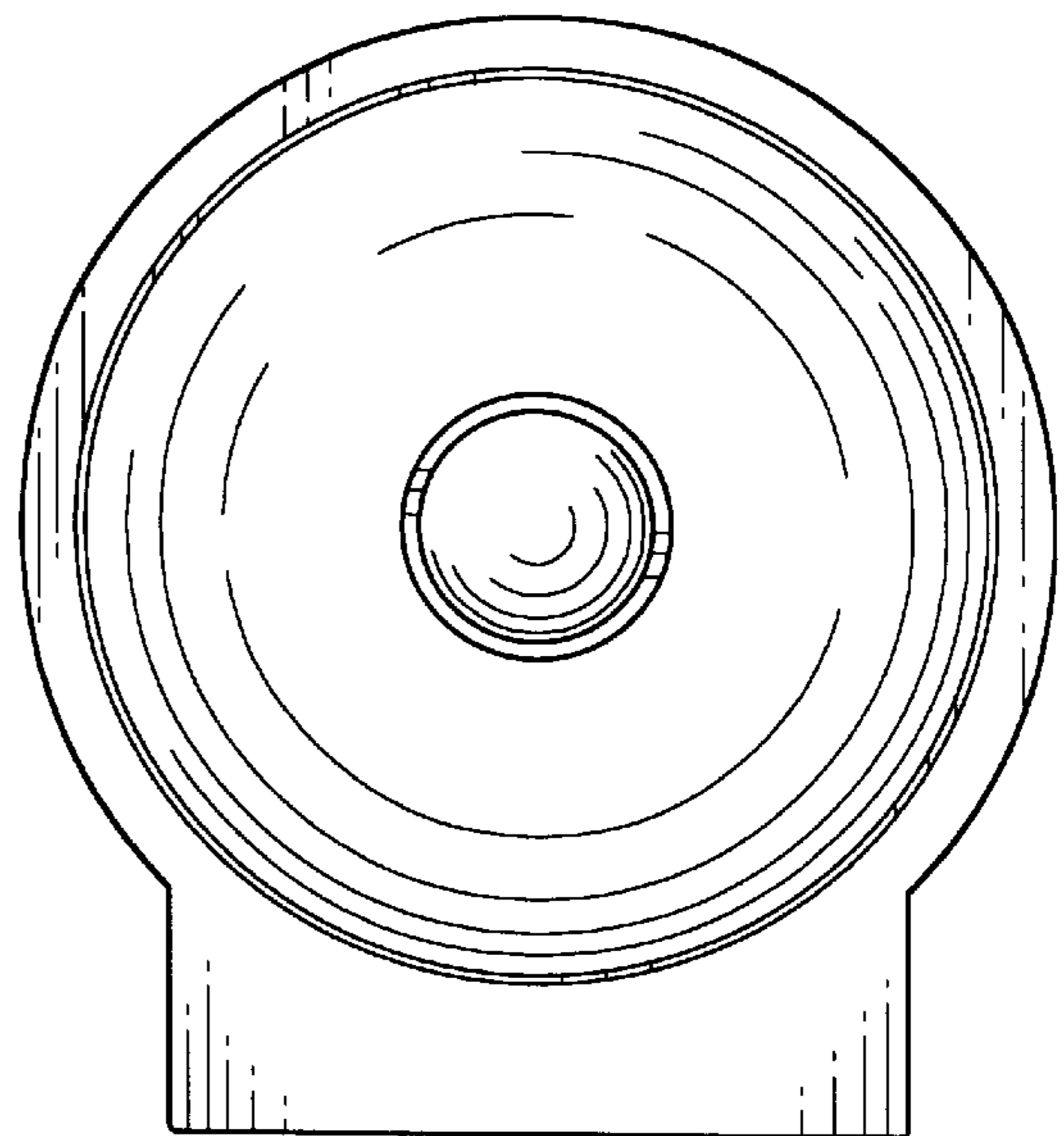


FIG. 9

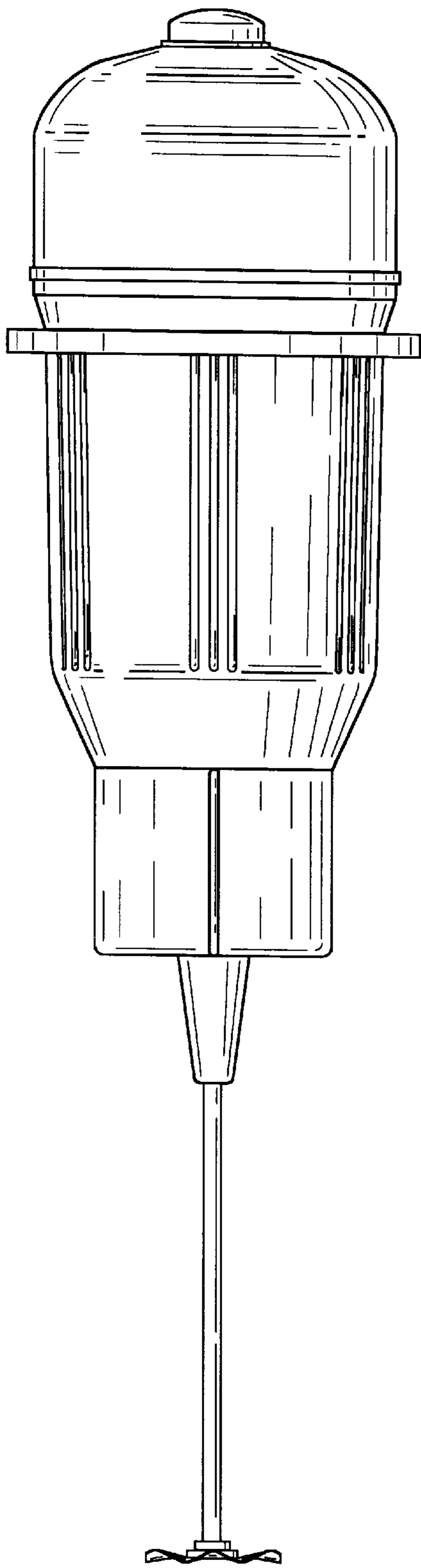


FIG. 10

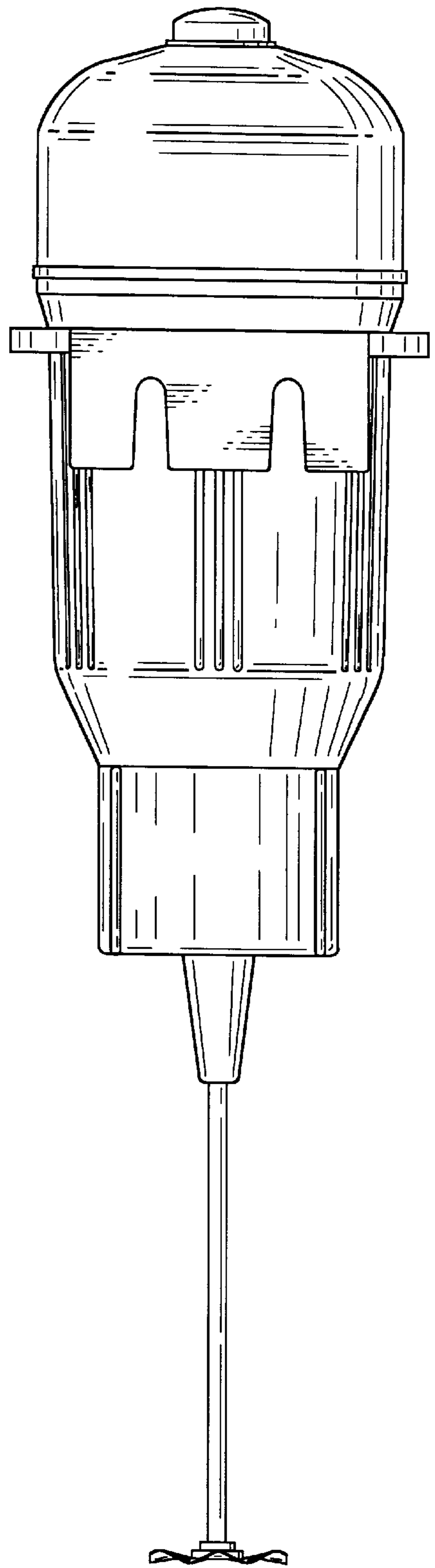


FIG. 11

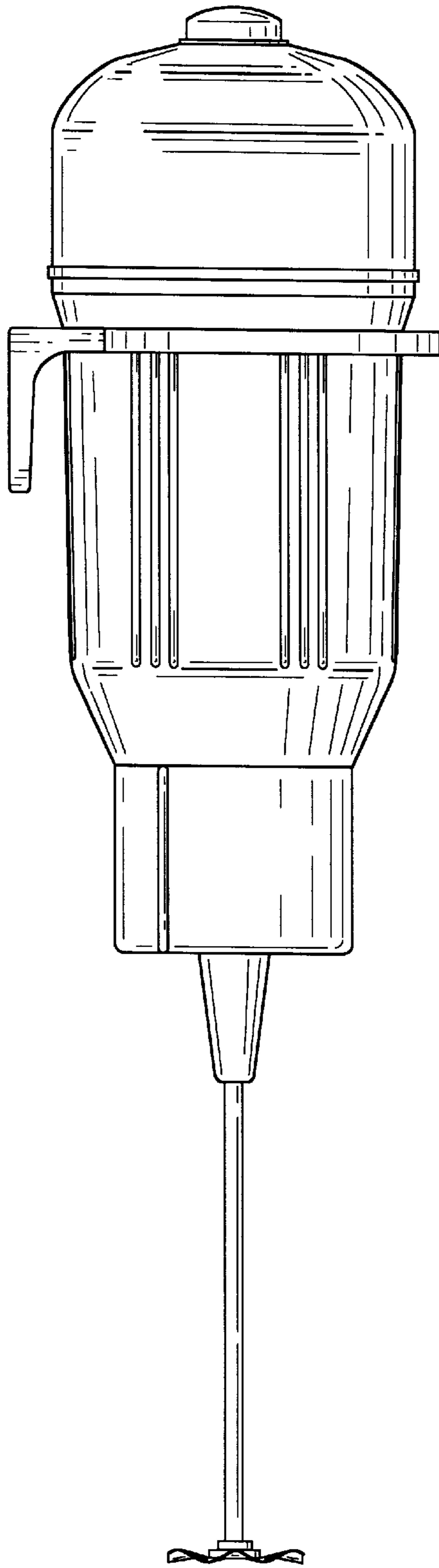


FIG. 12



US00D421872C1

(12) **EX PARTE REEXAMINATION CERTIFICATE (5086th)**
United States Patent
Wong

(10) **Number: US D421,872 C1**
(45) **Certificate Issued: Mar. 15, 2005**

(54) **HAND-HELD ELECTRIC MIXER**
(75) **Inventor: Stephen Wong, Tuen Mun (CN)**
(73) **Assignee: Bonjour, Incorporated, Pacheco, CA (US)**

(51) **LOC (7) Cl. 31-00**
(52) **U.S. Cl. D7/376**
(58) **Field of Search D7/376-386; D8/349, D8/373; 248/37.6, 74.1, 111, 312, 314; 366/129-130, 197, 199, 204-205, 314**

Reexamination Request:
No. 90/006,901, Jan. 9, 2004

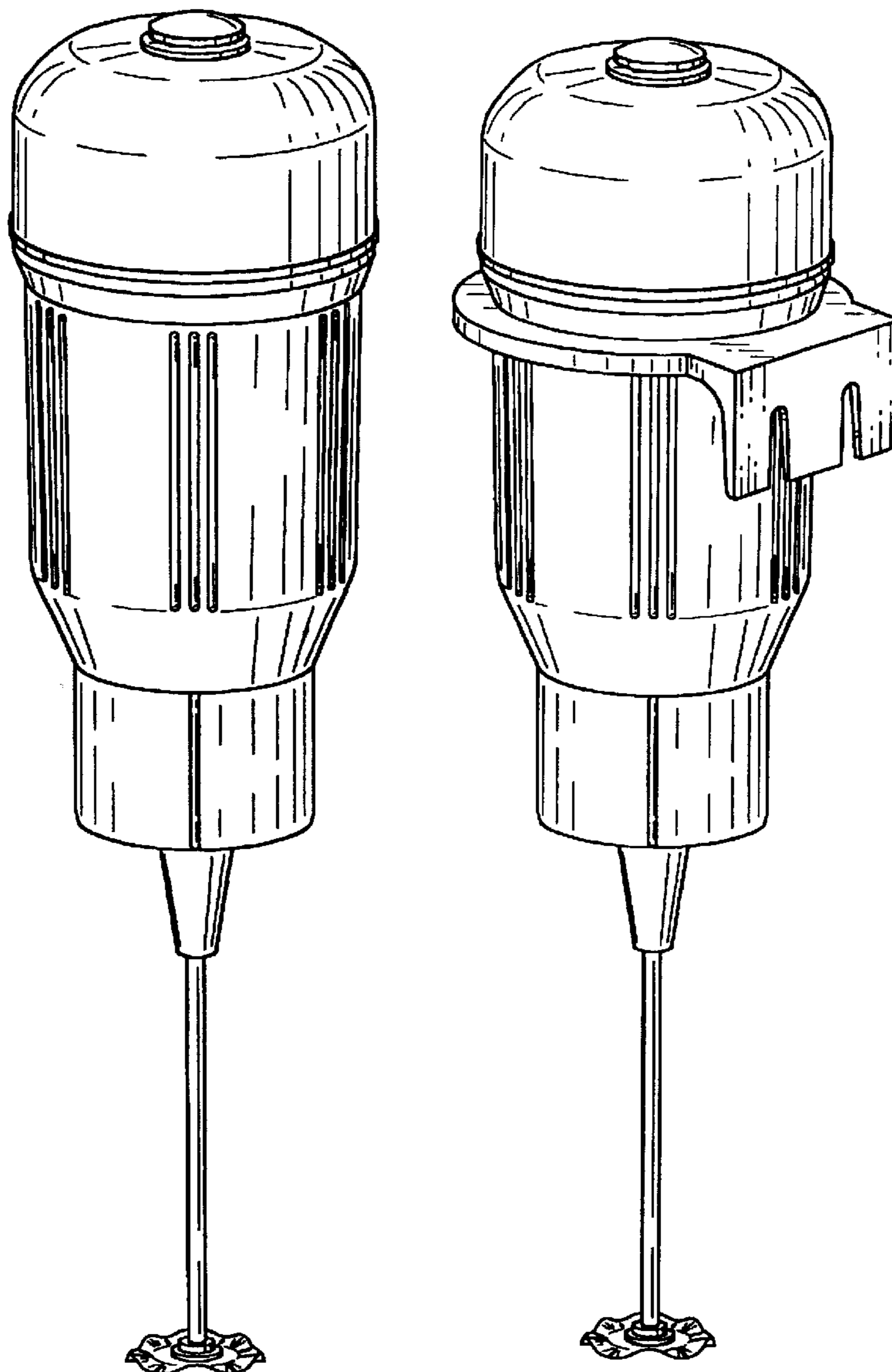
(56) **References Cited**
PUBLICATIONS

Reexamination Certificate for:
Patent No.: **Des. 421,872**
Issued: **Mar. 28, 2000**
Appl. No.: **29/106,284**
Filed: **Jun. 11, 1999**

Hong Kong Enterprise, Jan. 1998, Section "Household Products", p. 695.*

* cited by examiner

Primary Examiner—Robert M. Spear



1
EX PARTE
REEXAMINATION CERTIFICATE
ISSUED UNDER 35 U.S.C. 307
THE PATENT IS HEREBY
AMENDED AS INDICATED
BELOW.

2
AS A RESULT OF REEXAMINATION, IT HAS BEEN
DETERMINED THAT:

The single design claim is cancelled.

5

* * * * *