



US00D421867S

United States Patent [19]

Carville et al.

[11] Patent Number: **Des. 421,867**

[45] Date of Patent: **** Mar. 28, 2000**

[54] **CORNER SHELVING ASSEMBLY**

[75] Inventors: **Michelle Carville; Dennis L. Klemm**, both of Allegheny County, Pa.

[73] Assignee: **Alco Industries, Inc.**, Valley Forge, Pa.

[**] Term: **14 Years**

[21] Appl. No.: **29/098,851**

[22] Filed: **Jan. 7, 1999**

[51] **LOC (6) Cl.** **08-08**

[52] **U.S. Cl.** **D6/562; D6/570; D6/525**

[58] **Field of Search** D6/510-511, 509, D6/524-525, 536, 540, 553, 567, 562, 569-570, 574; 211/13.1, 86, 88-89, 126.1, 133.4, 133.6, 134; 248/218.4, 220.1, 309.1

[56] **References Cited**

U.S. PATENT DOCUMENTS

| | | | |
|------------|---------|------------------------|----------|
| D. 120,904 | 6/1940 | Beaver . | |
| D. 169,480 | 5/1953 | Helfenbein et al. | D33/3 |
| D. 189,722 | 2/1961 | Wolff | D33/18 |
| D. 250,564 | 12/1978 | Gordon | D6/188 |
| D. 253,141 | 10/1979 | Gordon | D6/23 |
| D. 304,398 | 11/1989 | Goetz | D6/479 |
| D. 325,137 | 4/1992 | Porter | D6/479 |
| D. 328,994 | 9/1992 | Jürgens | D6/562 |
| D. 329,158 | 9/1992 | Tuzi | D6/562 |
| D. 351,751 | 10/1994 | Brightbill et al. | D6/525 |
| D. 364,527 | 11/1995 | Moon | D6/562 X |
| D. 364,767 | 12/1995 | McLinden | D6/525 |
| D. 379,412 | 5/1997 | Hampshire | D6/562 X |
| D. 382,733 | 8/1997 | Goetz | D6/479 |
| D. 382,751 | 8/1997 | Andrus | D6/525 |
| D. 388,642 | 1/1998 | Winter | D6/525 |
| D. 388,992 | 1/1998 | Weisburn et al. | D6/562 |
| D. 389,351 | 1/1998 | Winter | D6/525 |
| D. 407,934 | 4/1999 | Wojtowicz | D6/562 |
| D. 408,185 | 4/1999 | Hofman | D6/562 |
| D. 409,868 | 5/1999 | France | D6/562 |
| 4,629,077 | 12/1986 | Niblock | 211/187 |
| 5,127,342 | 7/1992 | Taylor | 108/144 |

5,183,167 2/1993 Cheng 211/187
5,724,894 3/1998 Knorovsky 108/42

Primary Examiner—Brian N. Vinson
Attorney, Agent, or Firm—Webb Ziesenheim Logsdon Orkin & Hanson, P.C.

[57] **CLAIM**

The ornamental design for a corner shelving assembly, as shown and described.

DESCRIPTION

FIG. 1 is a top and front perspective view of a corner shelving assembly showing our new design, with the broken-line disclosure of a pole on which the shelves are mounted being for illustrative purposes only and forming no part of the claimed design;

FIG. 2 is an enlarged left and front elevational view thereof, the view from the right and front being a mirror image of that shown;

FIG. 3 is an enlarged left and rear elevational view thereof, the view from the right and rear being a mirror image of that shown;

FIG. 4 is a top and front perspective view thereof, with the broken-line disclosure of wall-mounting means being for illustrative purposes only and forming no part of the claimed design;

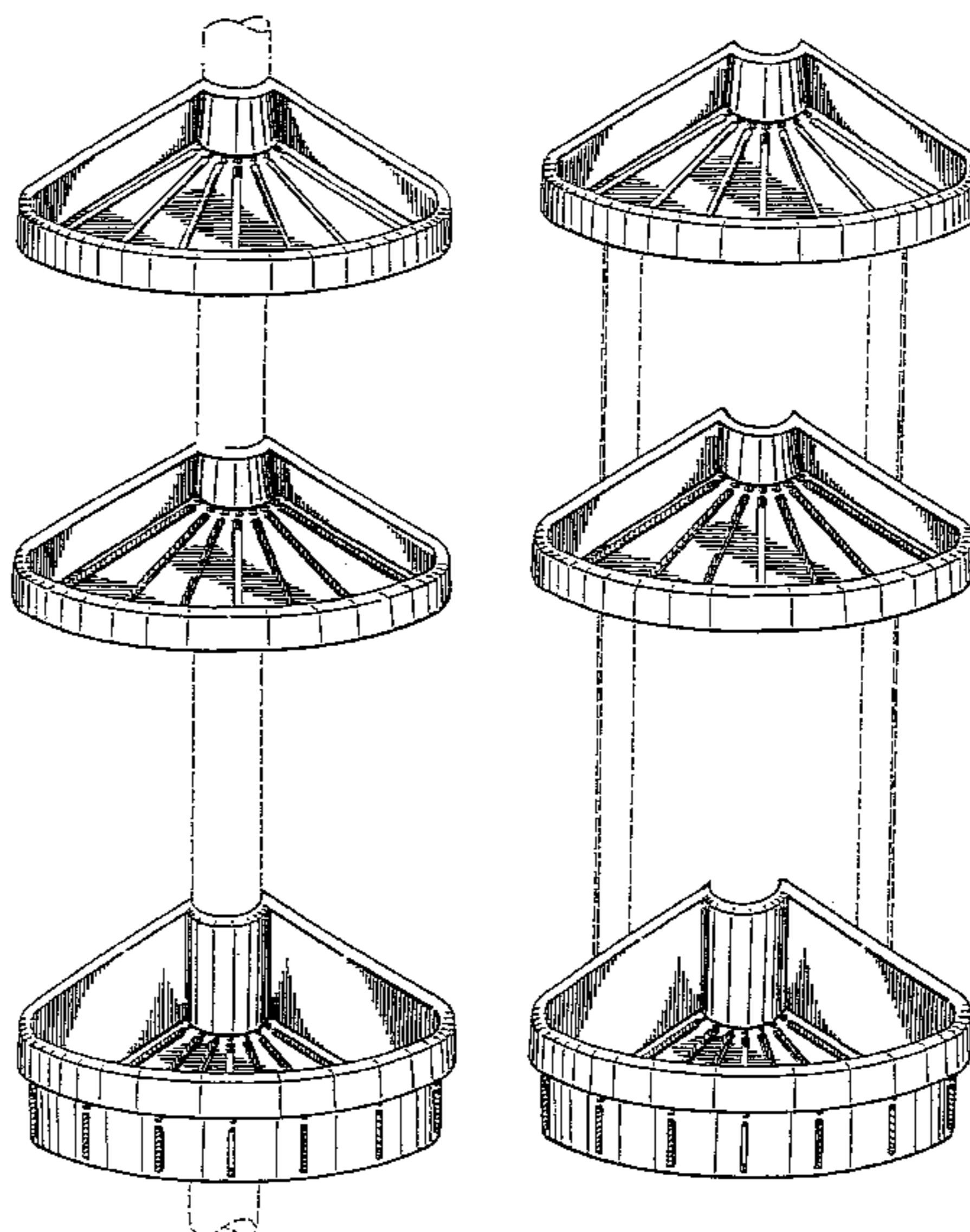
FIG. 5 is an enlarged left and front elevational view thereof, the view from the right and front being a mirror image of that shown;

FIG. 6 is an enlarged left and rear elevational view thereof, the view from the right and rear being a mirror image of that shown;

FIG. 7 is a top plan view thereof, with the broken-line disclosure of a pole on which the shelves are mounted being for illustrative purposes only and forming no part of the claimed design; and,

FIG. 8 is a top plan view thereof, with the broken-line disclosure of wall-mounting means for illustrative purposes only and forming no part of the claimed design.

1 Claim, 7 Drawing Sheets



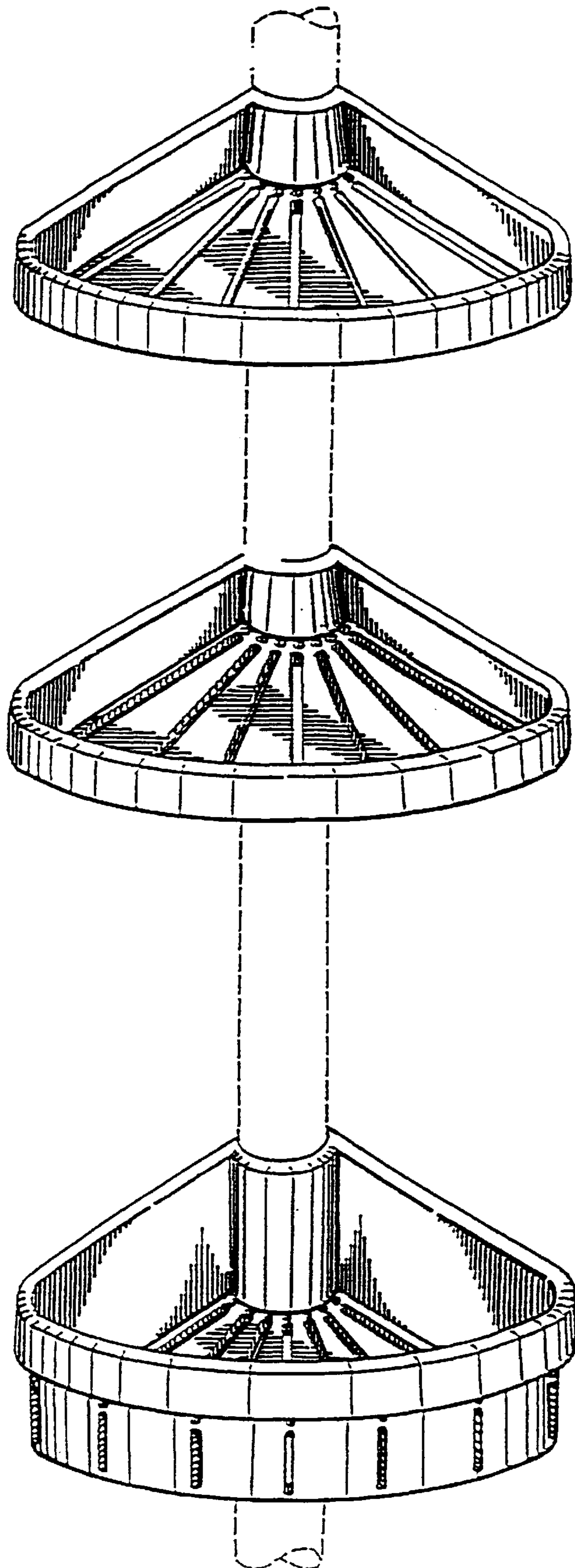


FIG. 1

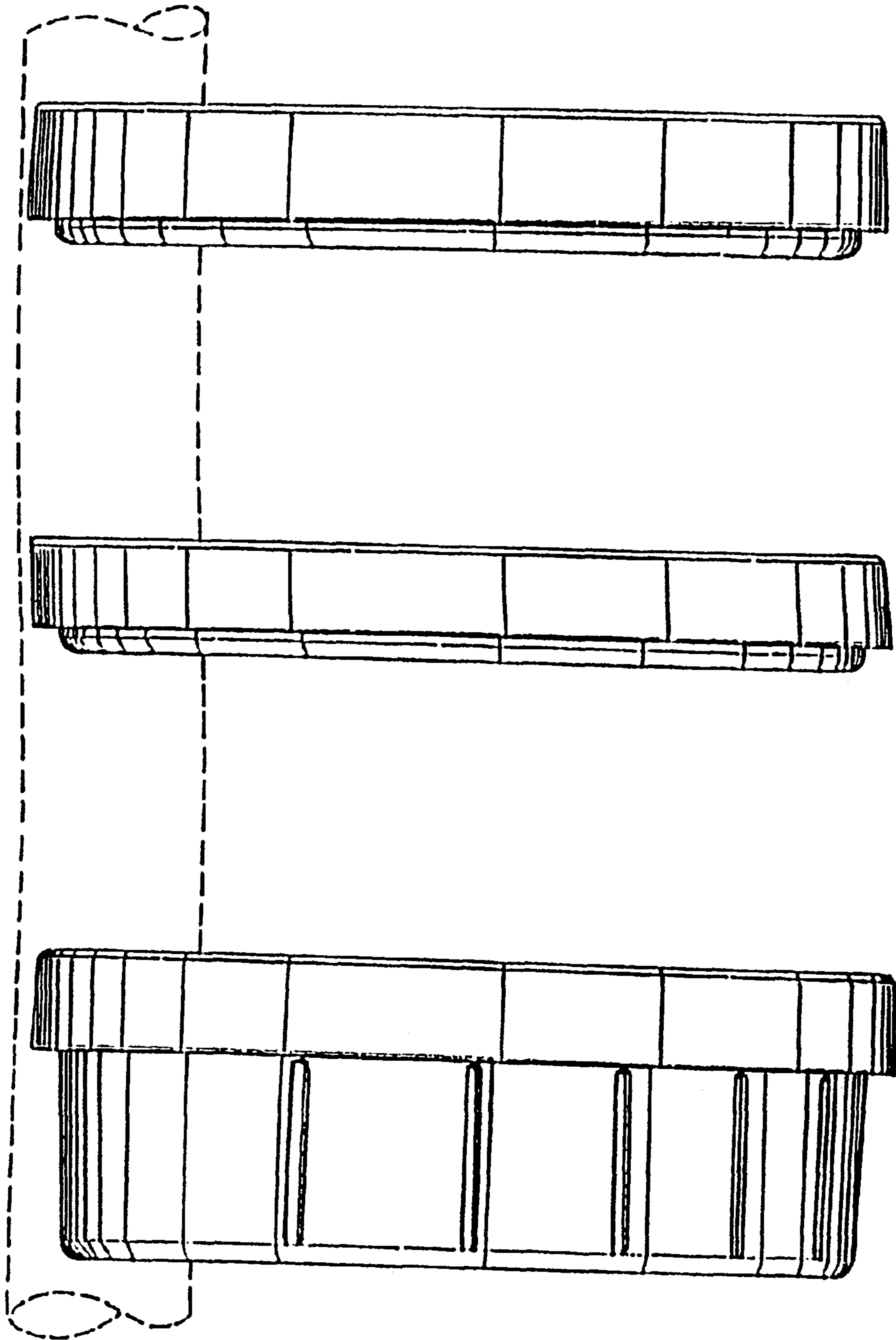


FIG. 2

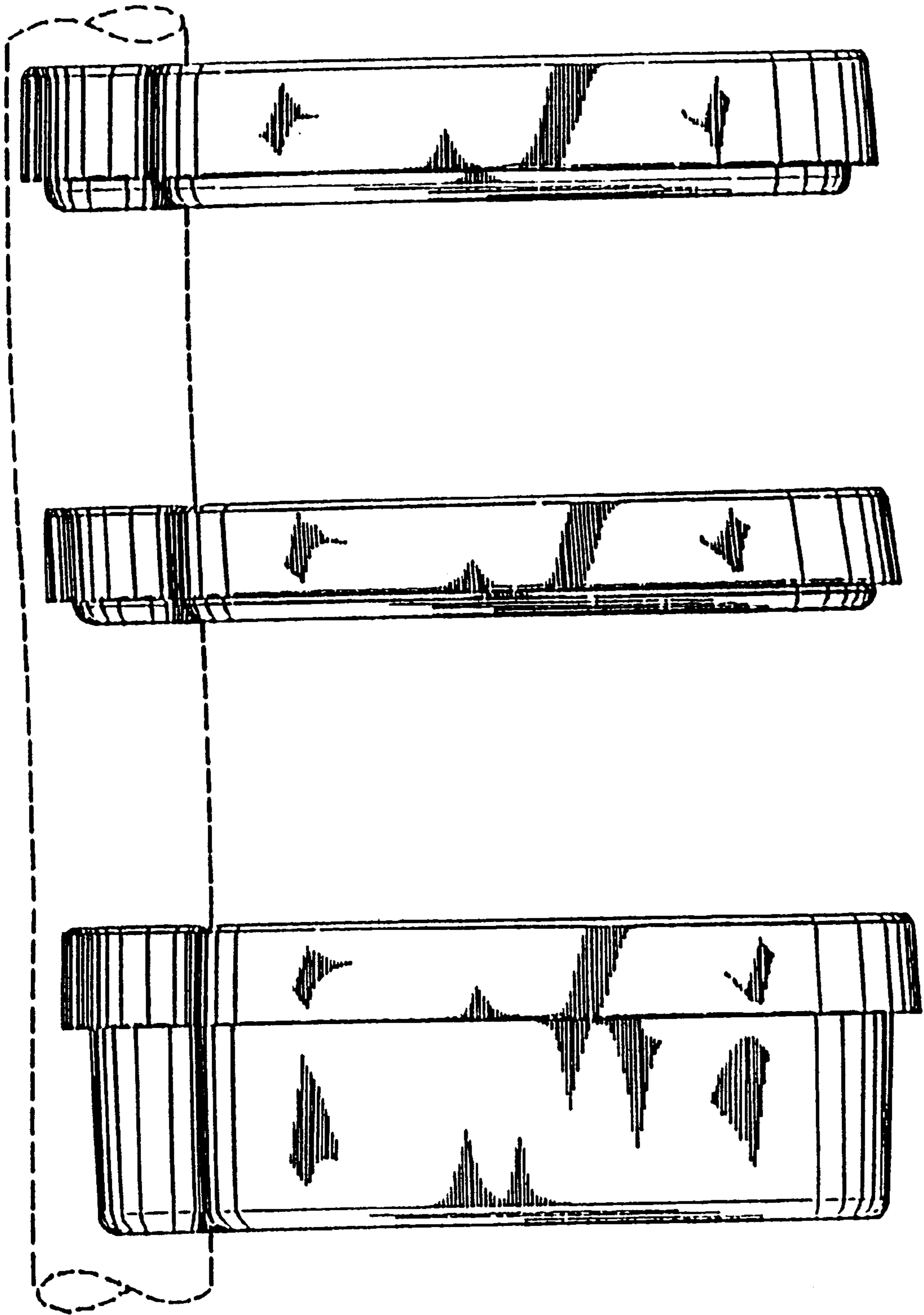


FIG. 3

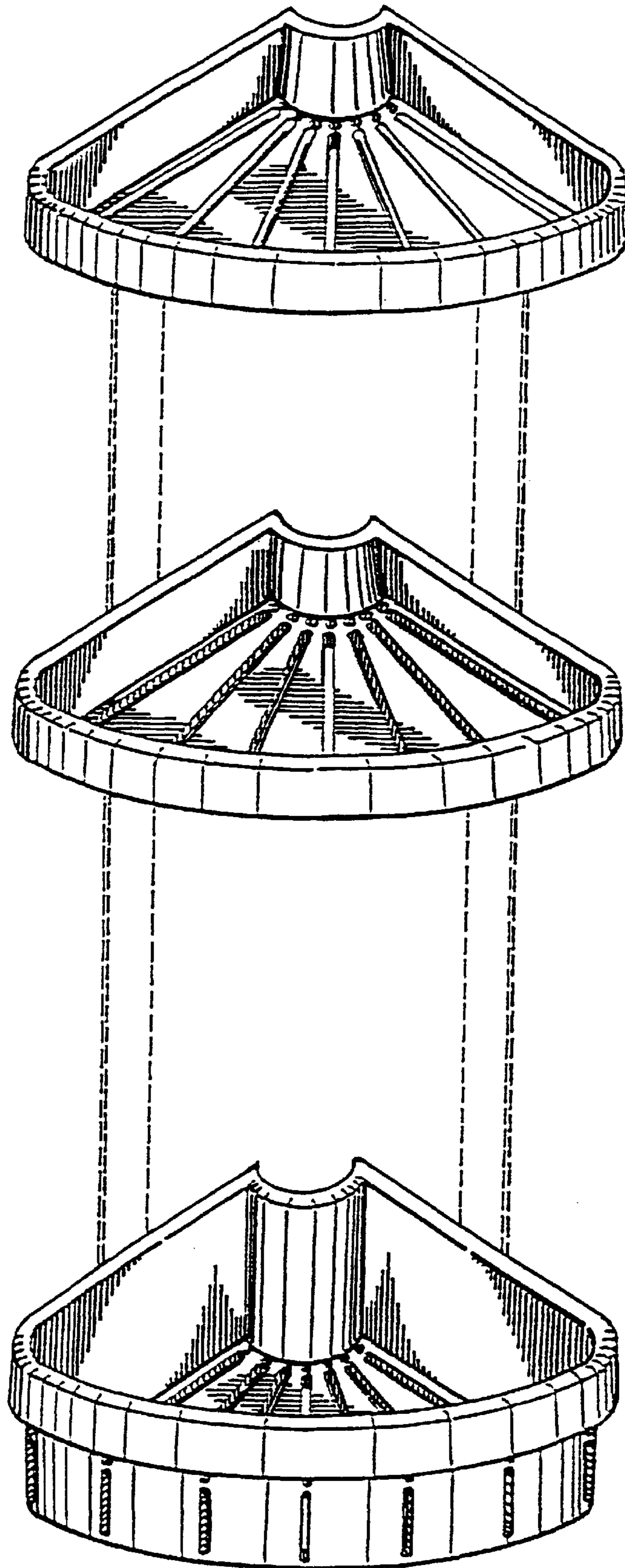


FIG. 4

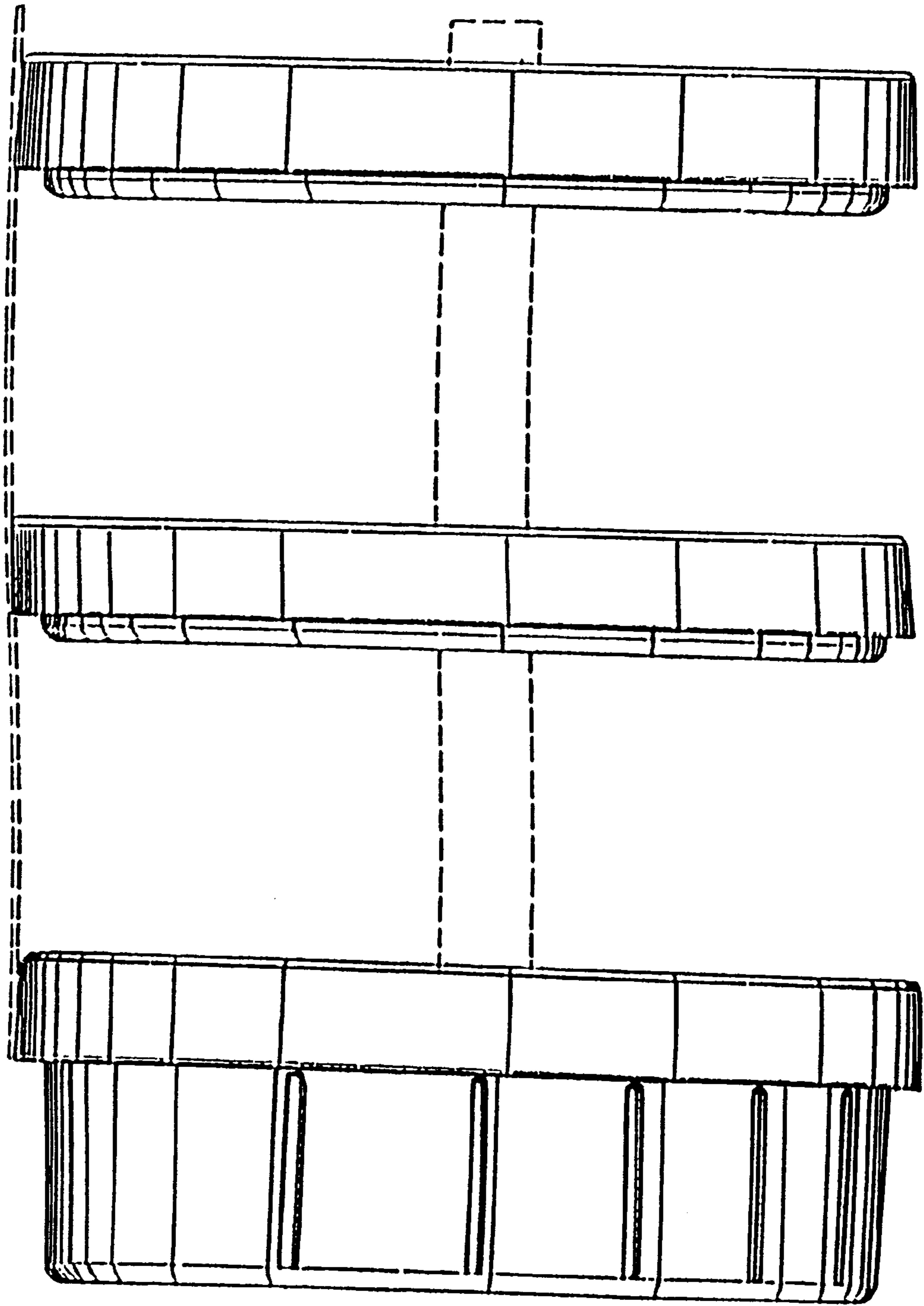


FIG. 5

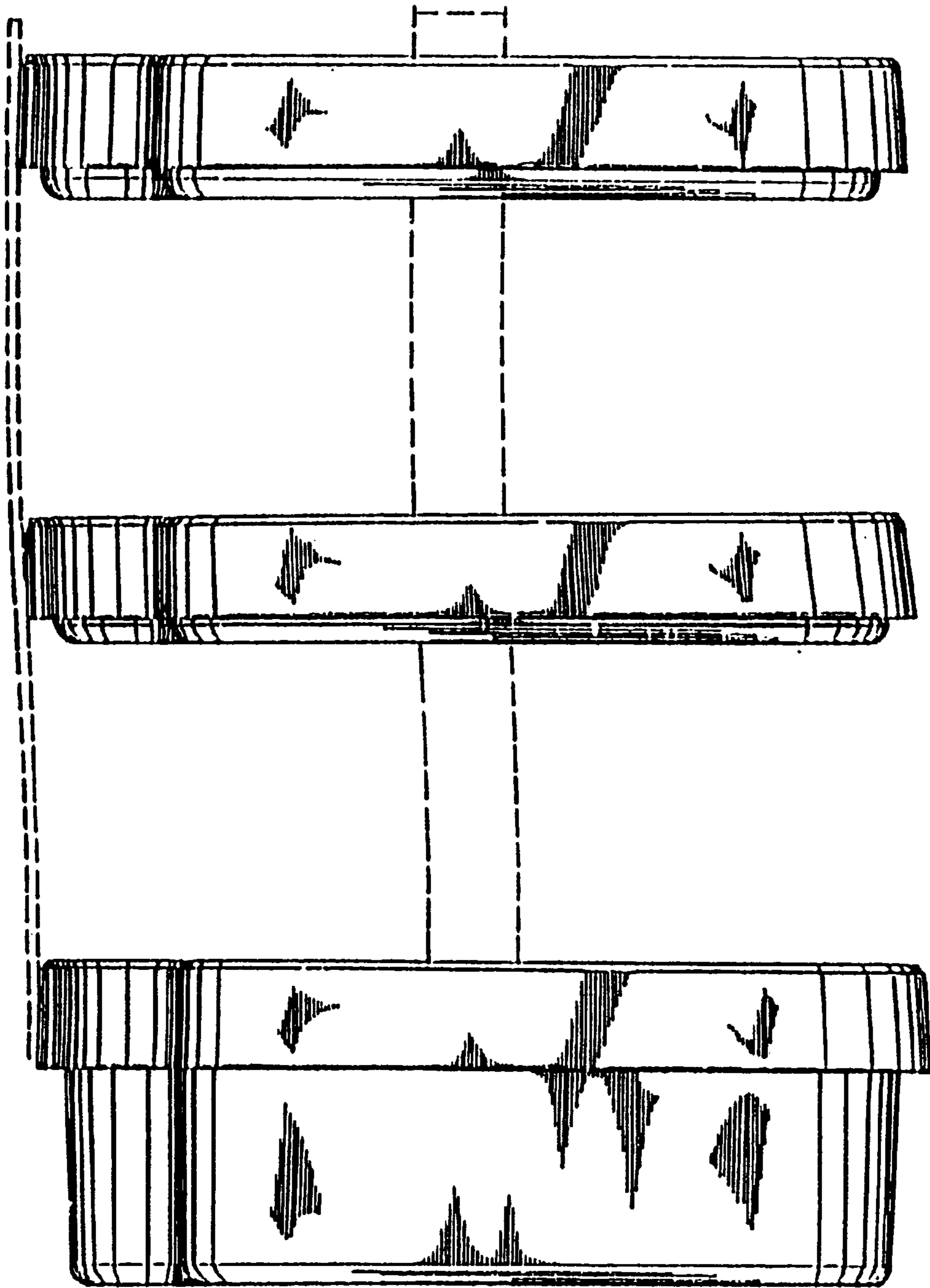


FIG. 6

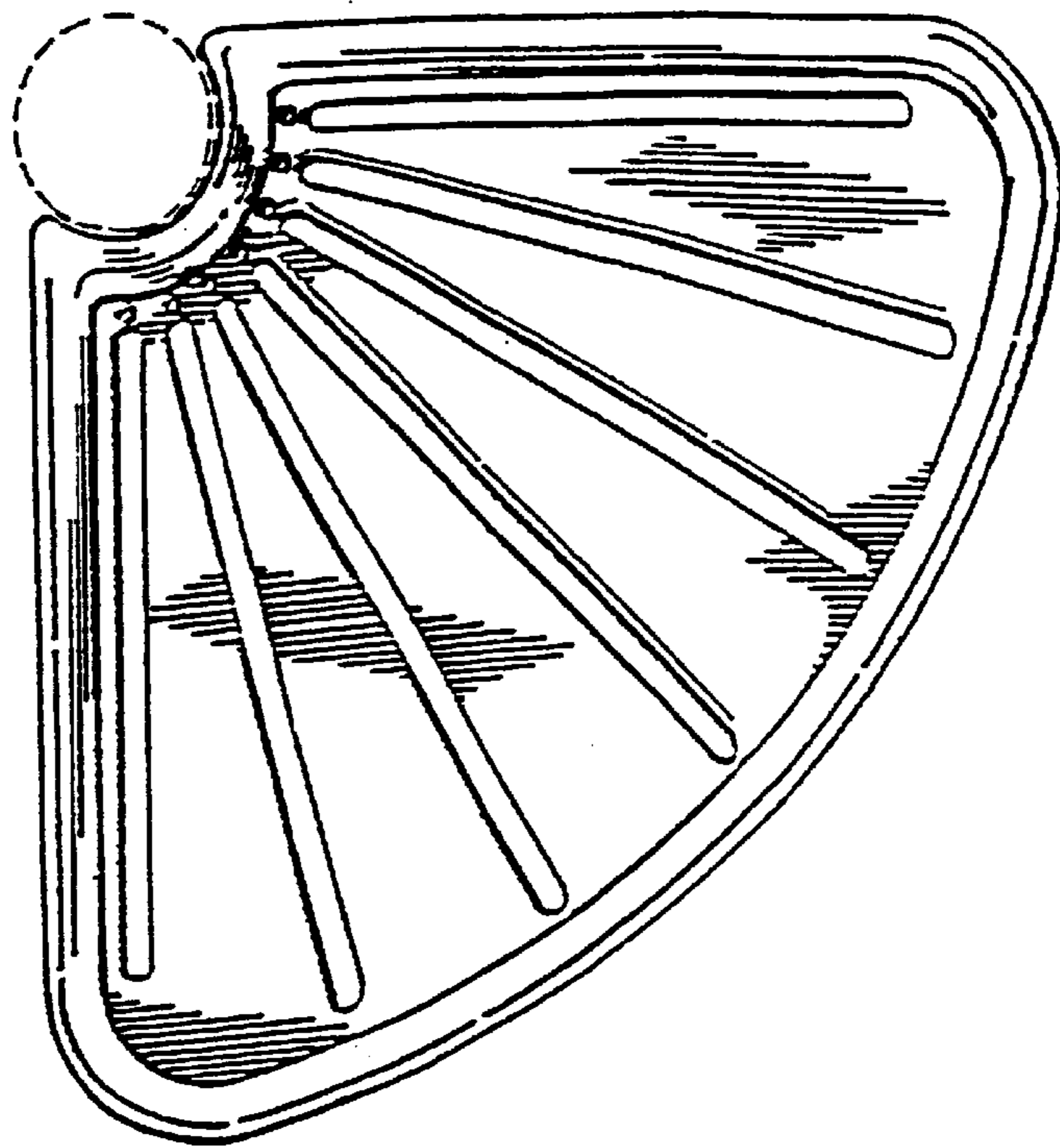


FIG. 7

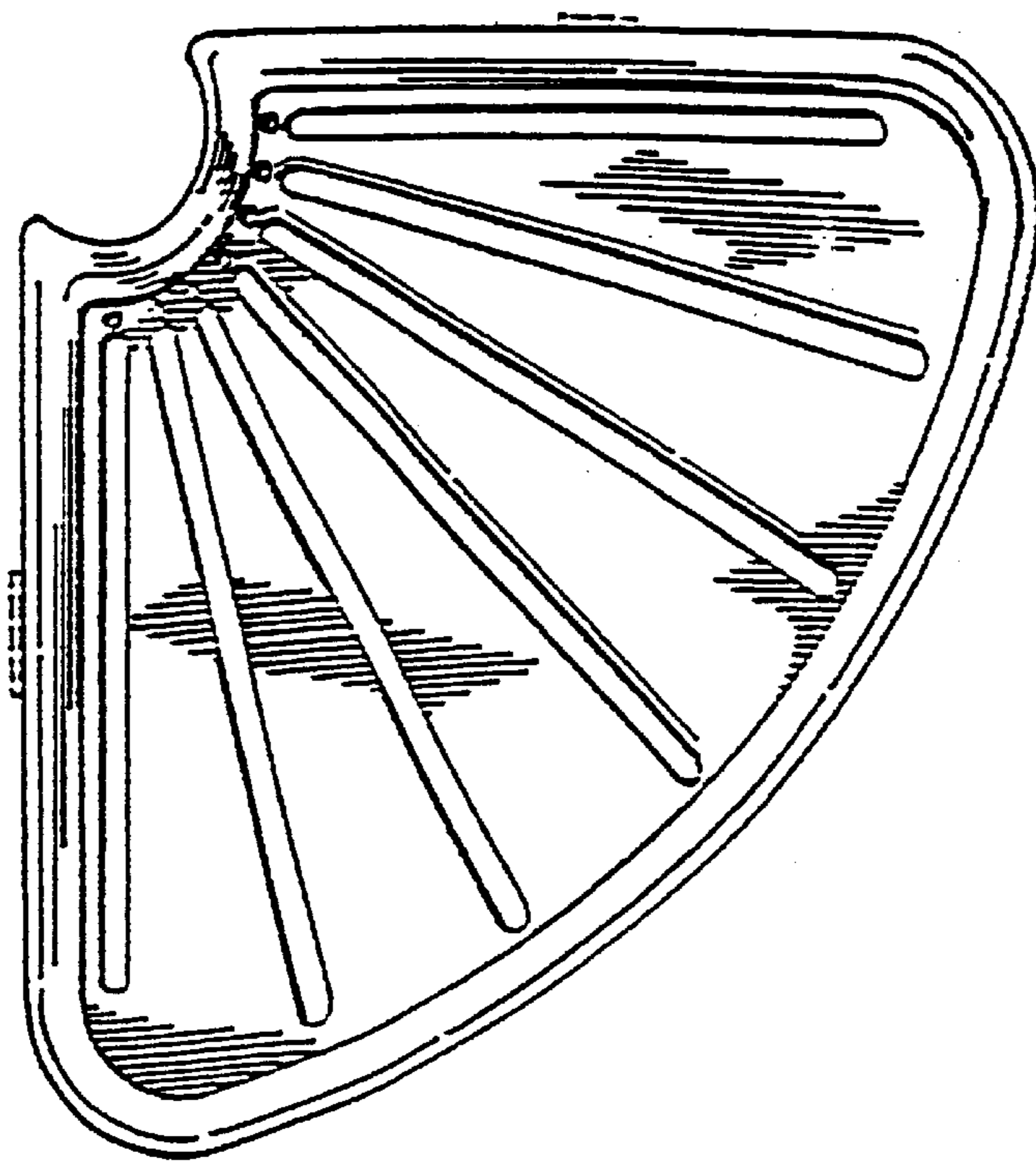


FIG. 8