



US00D421866S

United States Patent [19]
Long

[11] **Patent Number: Des. 421,866**

[45] **Date of Patent: ** Mar. 28, 2000**

[54] **SKATE RACK**

D. 401,458 11/1998 Hsia D6/552
5,377,849 1/1995 Martin 211/13.1

[76] Inventor: **Charles M. Long**, 2359 Treasure Isle
Dr., #34, Palm Beach Gardens, Fla.
33410

Primary Examiner—Brian N. Vinson
Attorney, Agent, or Firm—McHale & Slavin PA

[**] Term: **14 Years**

[57] **CLAIM**

[21] Appl. No.: **29/105,462**

The ornamental design for a skate rack, as shown and described.

[22] Filed: **May 26, 1999**

DESCRIPTION

[51] **LOC (6) Cl.** **08-08**

[52] **U.S. Cl.** **D6/552**

[58] **Field of Search** D6/552, 449, 462,
D6/465, 556; 206/315.1, 315.9, 315.91;
211/13.1, 71, 74, 123, 182, 181.1

FIG. 1 is a perspective view of the skate rack of the instant invention;

FIG. 2 is a front view of the skate rack of the instant invention illustrated in FIG. 1;

FIG. 3 is a top plan view thereof;

FIG. 4 is a bottom view thereof;

FIG. 5 is a right side view thereof; the left side, not shown, forming a mirror image of said right side; and,

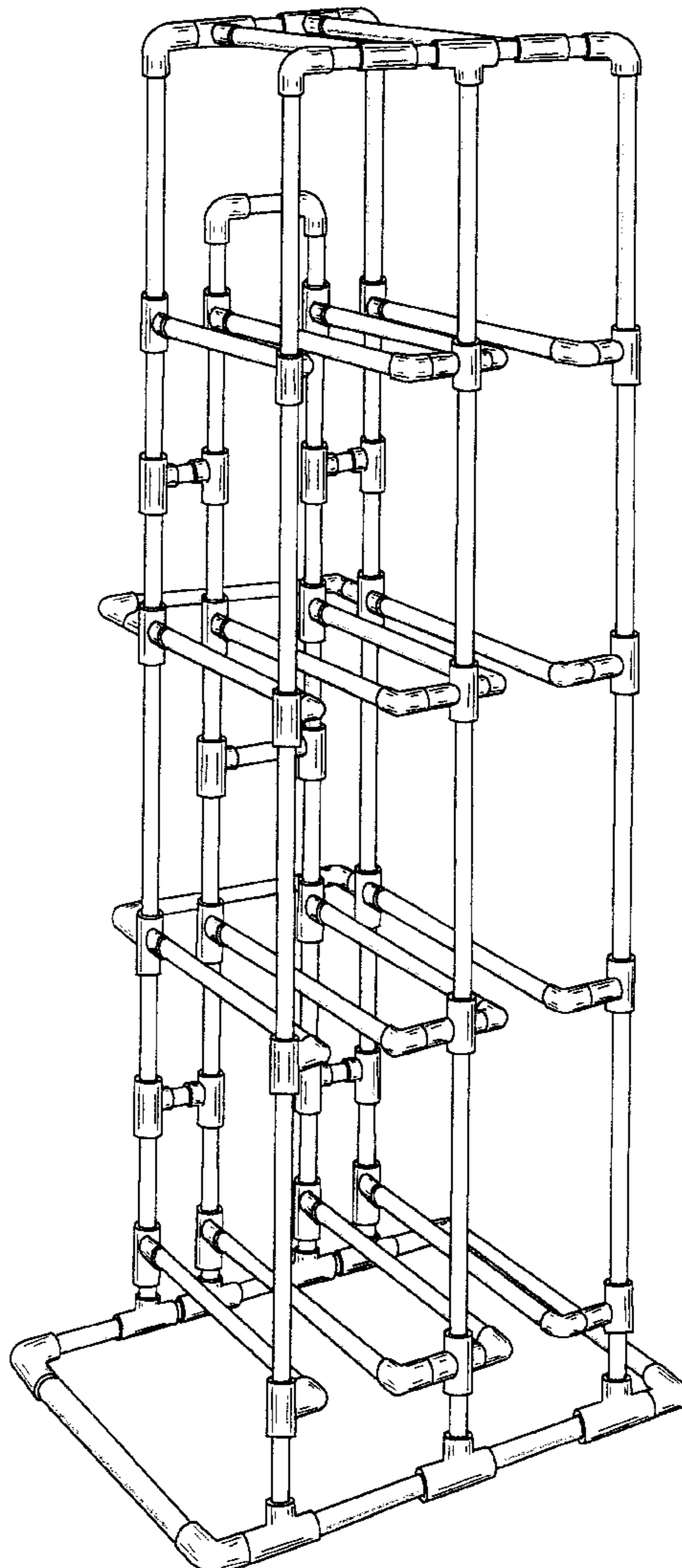
FIG. 6 is a rear view thereof.

[56] **References Cited**

U.S. PATENT DOCUMENTS

D. 329,903 9/1992 Craig D6/462 X
D. 365,716 1/1996 Rose, Sr. D6/552
D. 396,368 7/1998 Smakman D6/566 X

1 Claim, 5 Drawing Sheets



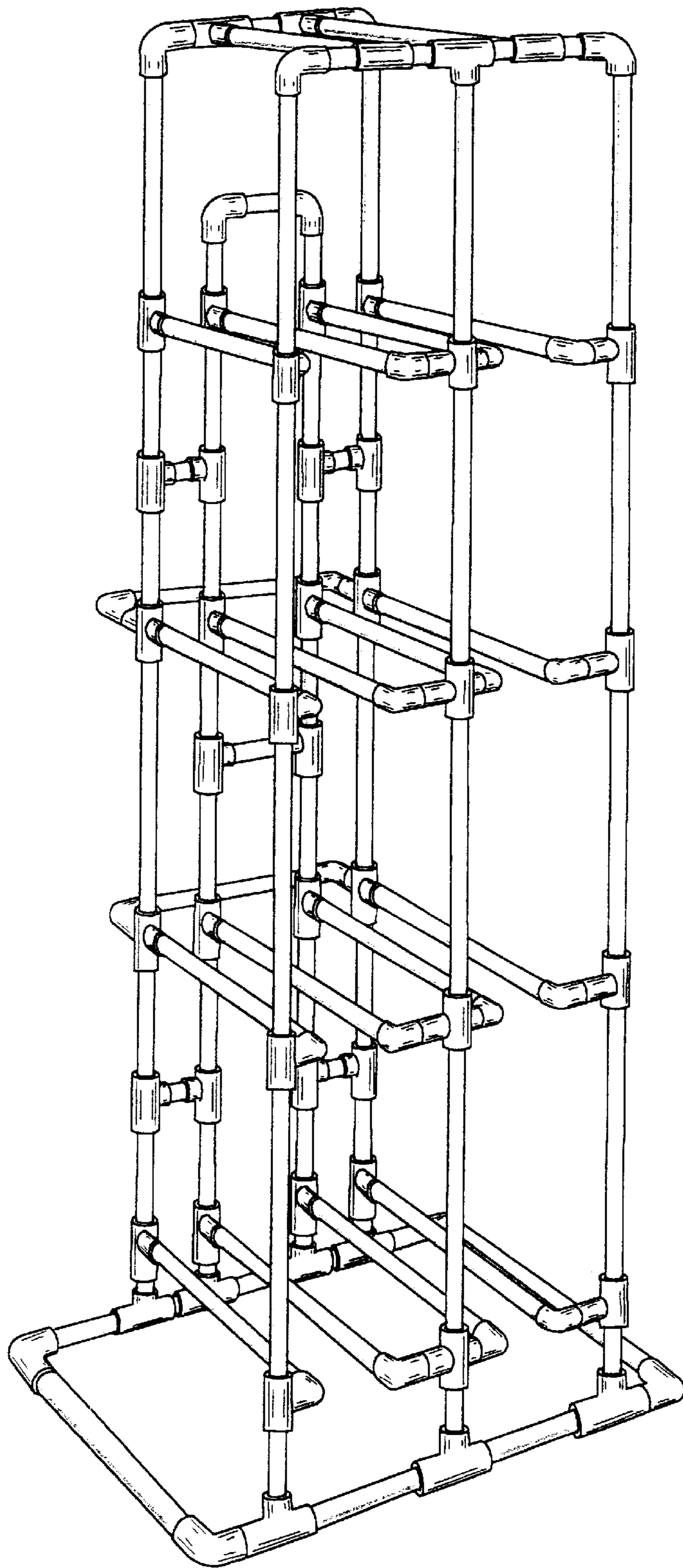


Fig 1

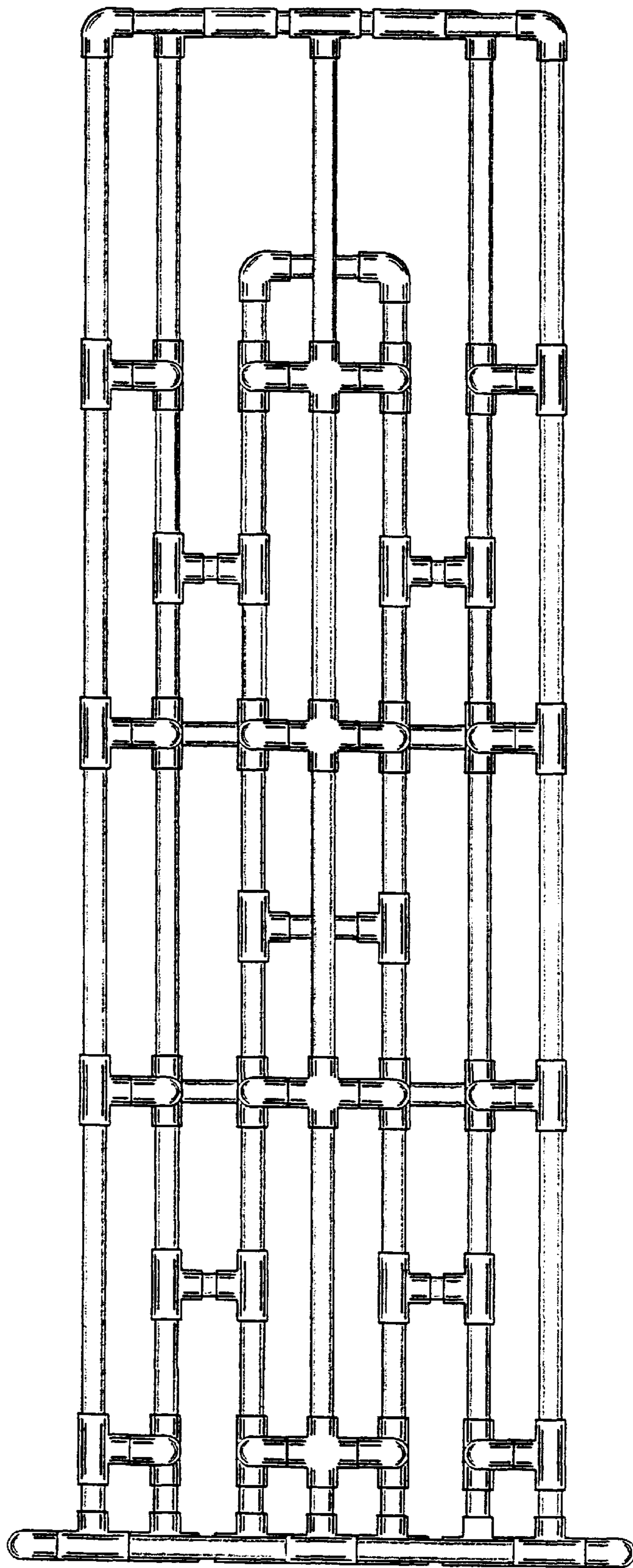


Fig 2

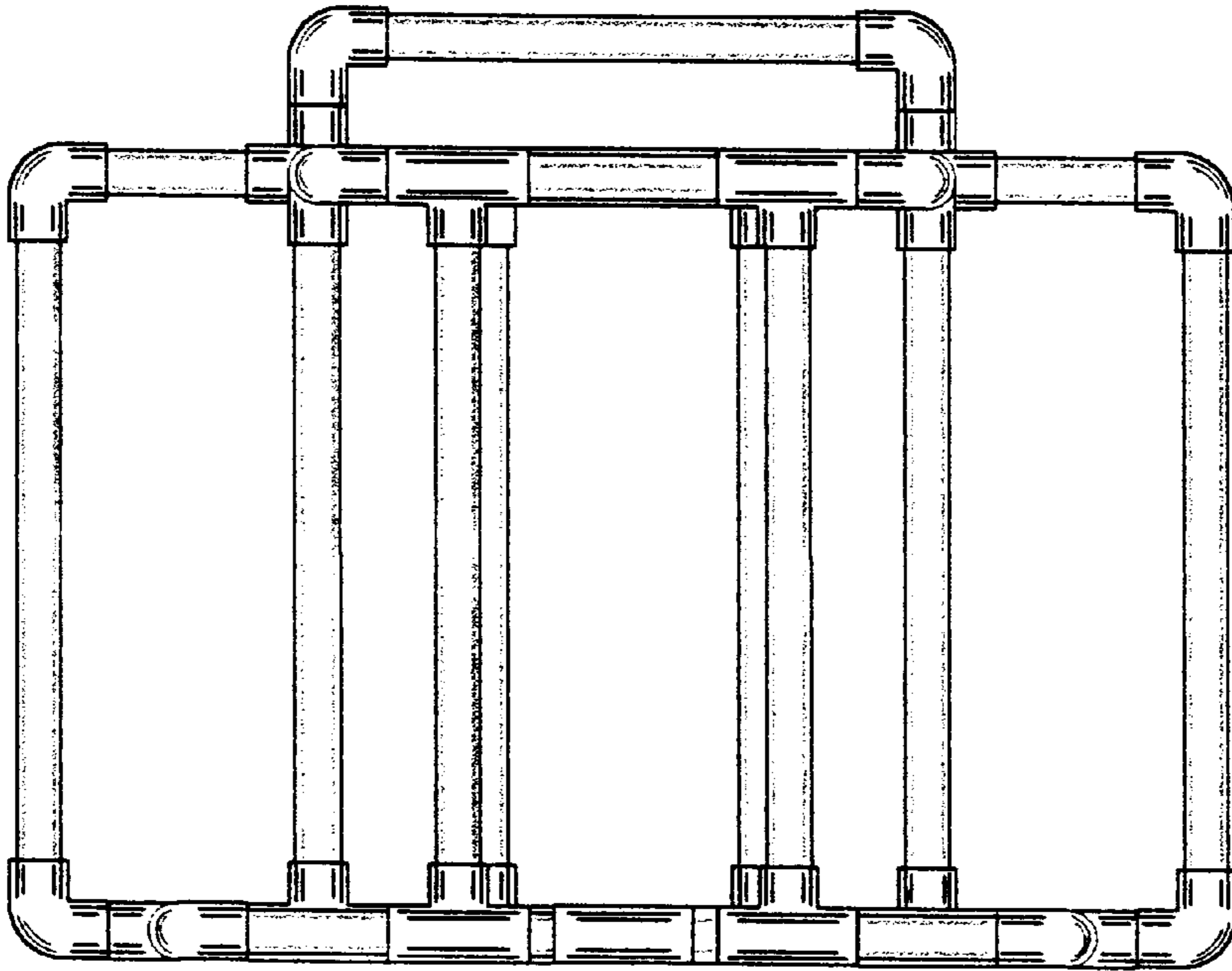


Fig 3

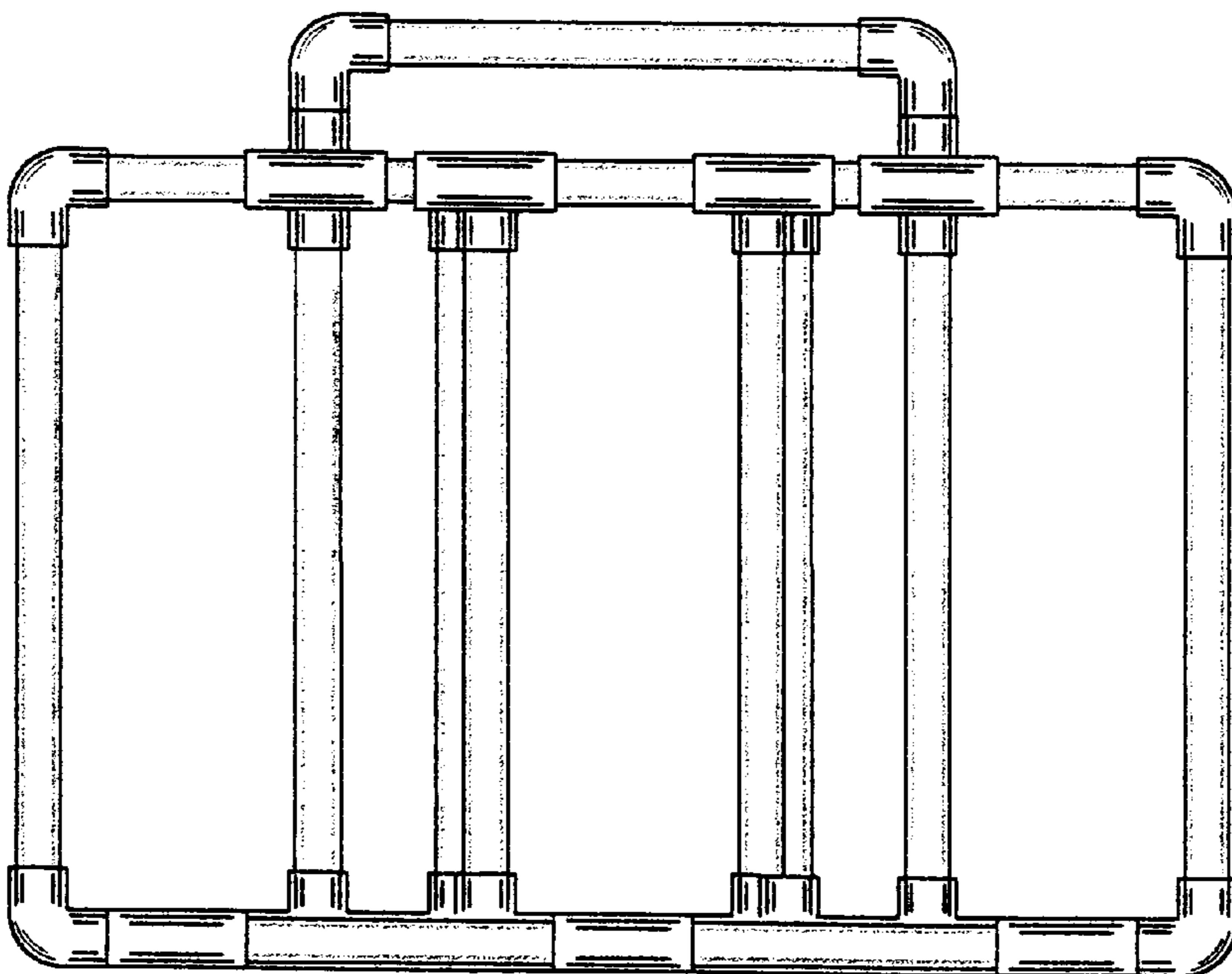


Fig 4

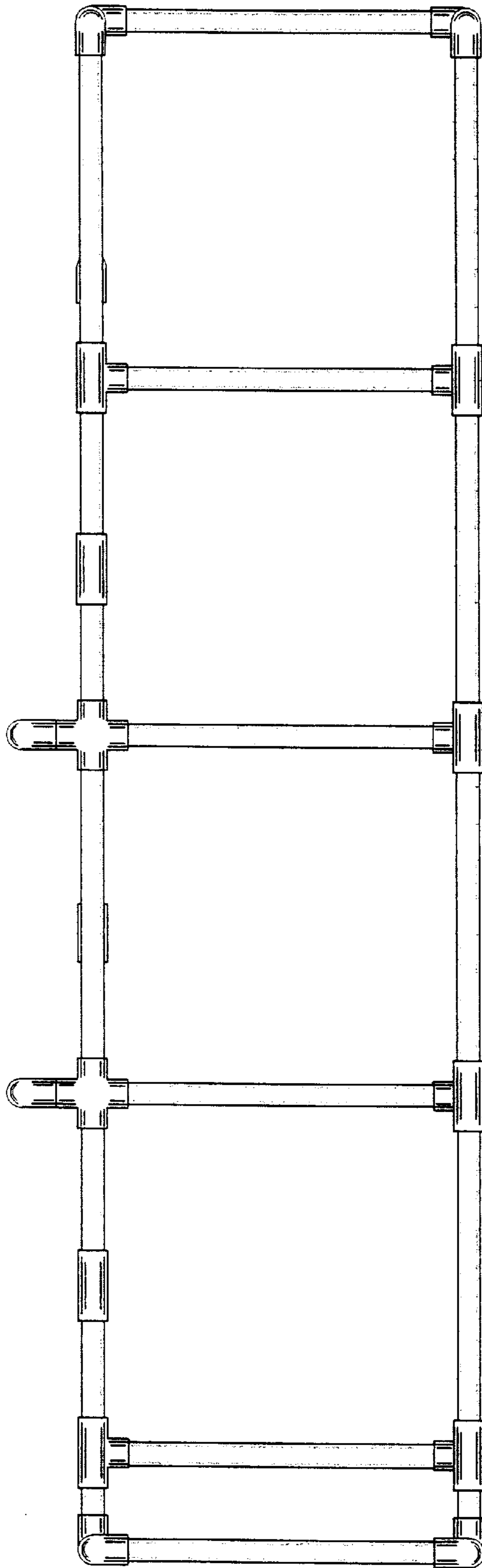


Fig 5

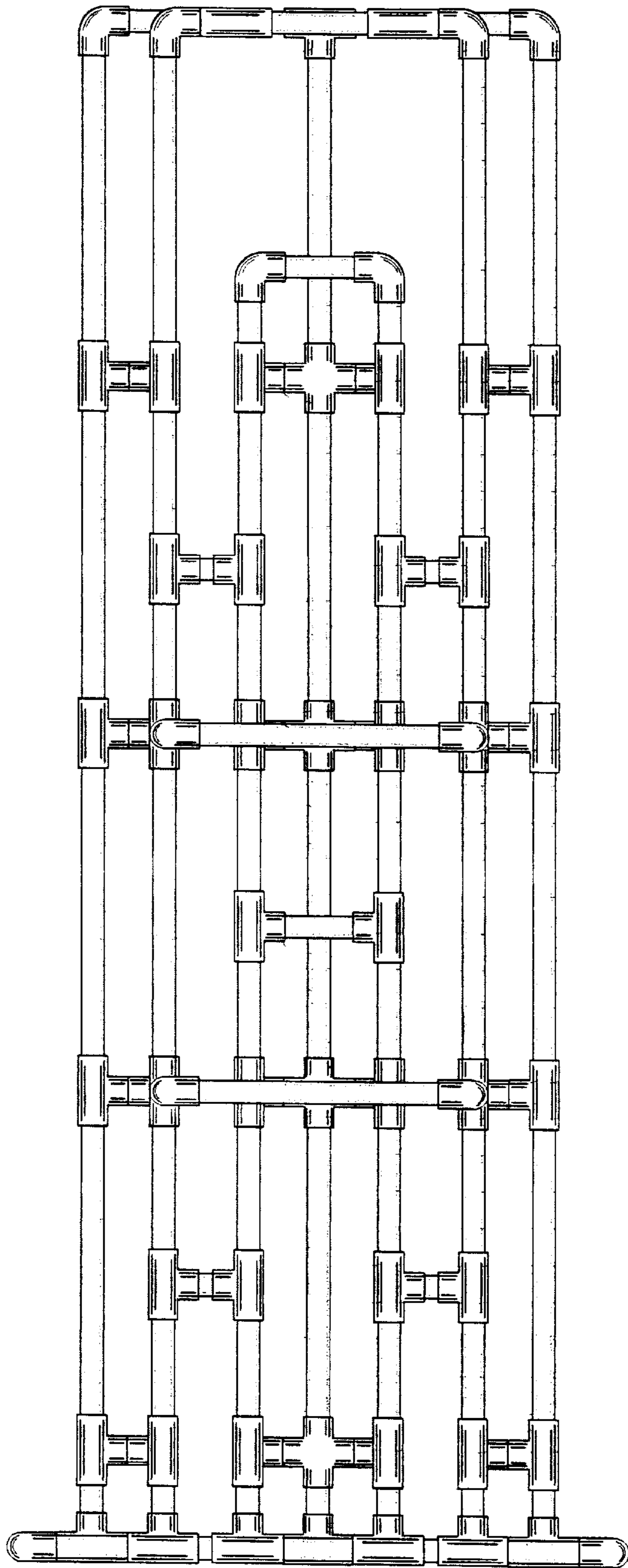


Fig 6