



US00D421839S

United States Patent [19]

Beck et al.

[11] Patent Number: **Des. 421,839**

[45] Date of Patent: **** Mar. 28, 2000**

[54] **GOLF BAG BOTTOM WITH LIFT HANDLE**

5,042,654 8/1991 Jones 206/315.3
5,176,253 1/1993 Perrin et al. 206/315.3 X

[75] Inventors: **Edwin Beck**, Boston; **Chuck Heidenreich**, Westfield, both of Mass.

Primary Examiner—Doris V. Coles
Assistant Examiner—Catherine R. Oliver

[73] Assignee: **Lisco Inc.**, Tampa, Fla.

[57] **CLAIM**

[**] Term: **14 Years**

The ornamental design of the golf bag bottom with lift handle, as shown and described.

[21] Appl. No.: **29/056,022**

DESCRIPTION

[22] Filed: **Jun. 20, 1996**

[51] **LOC (6) Cl.** **03-01**

[52] **U.S. Cl.** **D3/259**

[58] **Field of Search** D3/259, 254, 255,
D3/320, 282; 206/315.2, 315.3, 315.4, 315.5,
315.6, 315.7, 315.8

FIG. 1 is a perspective view of the golf bag bottom with lift handle showing our new design in use;
FIG. 2 is a perspective view;
FIG. 3 is a right side view thereof;
FIG. 4 is a top plan view thereof;
FIG. 5 is a rear view thereof;
FIG. 6 is a front view thereof; and,
FIG. 7 is a bottom plan view thereof.

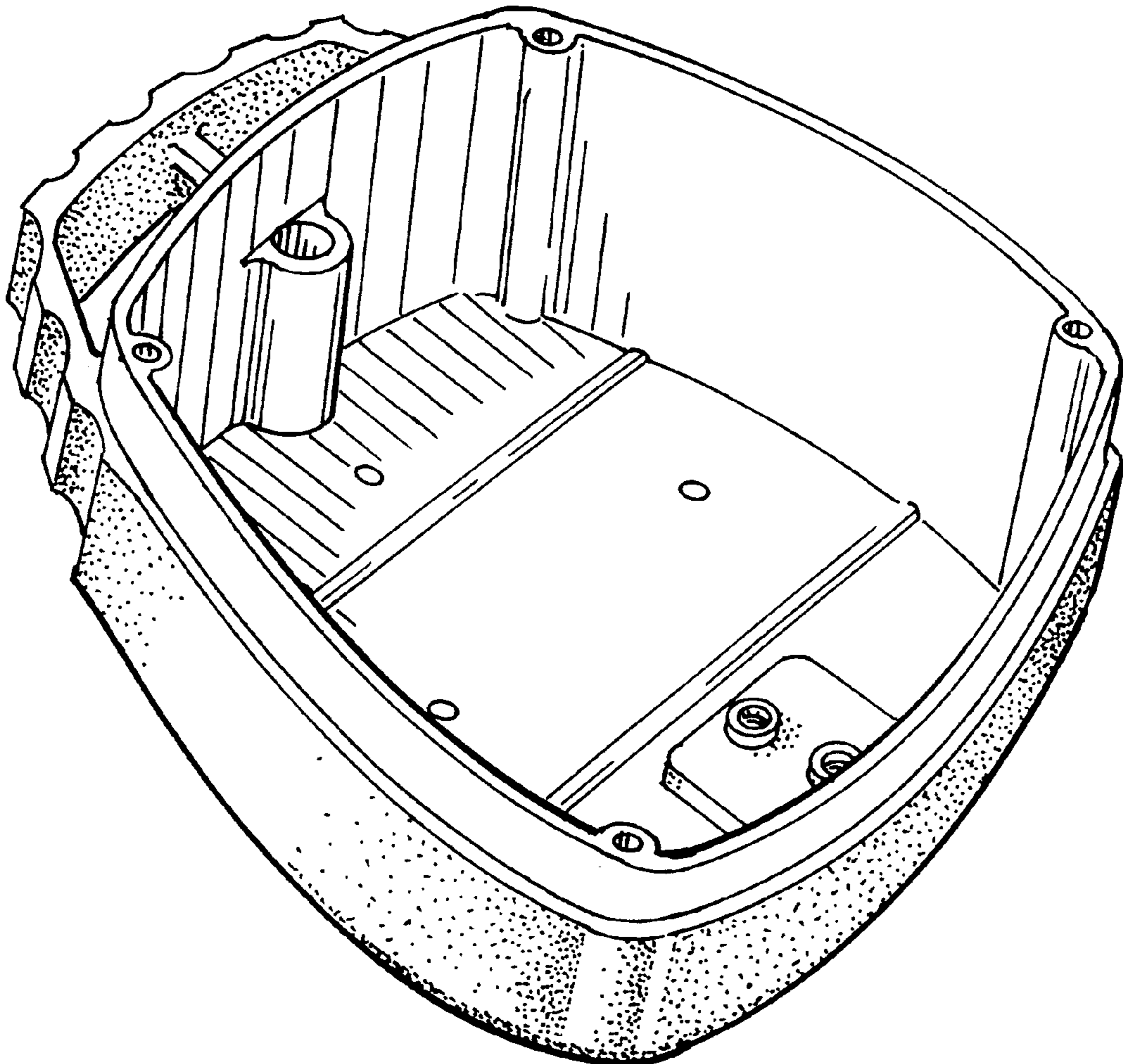
[56] References Cited

U.S. PATENT DOCUMENTS

D. 353,263 12/1994 Danezin D3/255
D. 365,205 12/1995 Holland, III D3/255
D. 372,362 8/1996 Bryant et al. D3/320
D. 374,347 10/1996 Burns et al. D3/282
D. 375,203 11/1996 La Plante, Sr. D3/320

The left side view is a mirror image of the right side view. The broken line showing of a golf bag in FIG. 1 is for illustrative purposes only and forms no part of the claimed design.

1 Claim, 2 Drawing Sheets



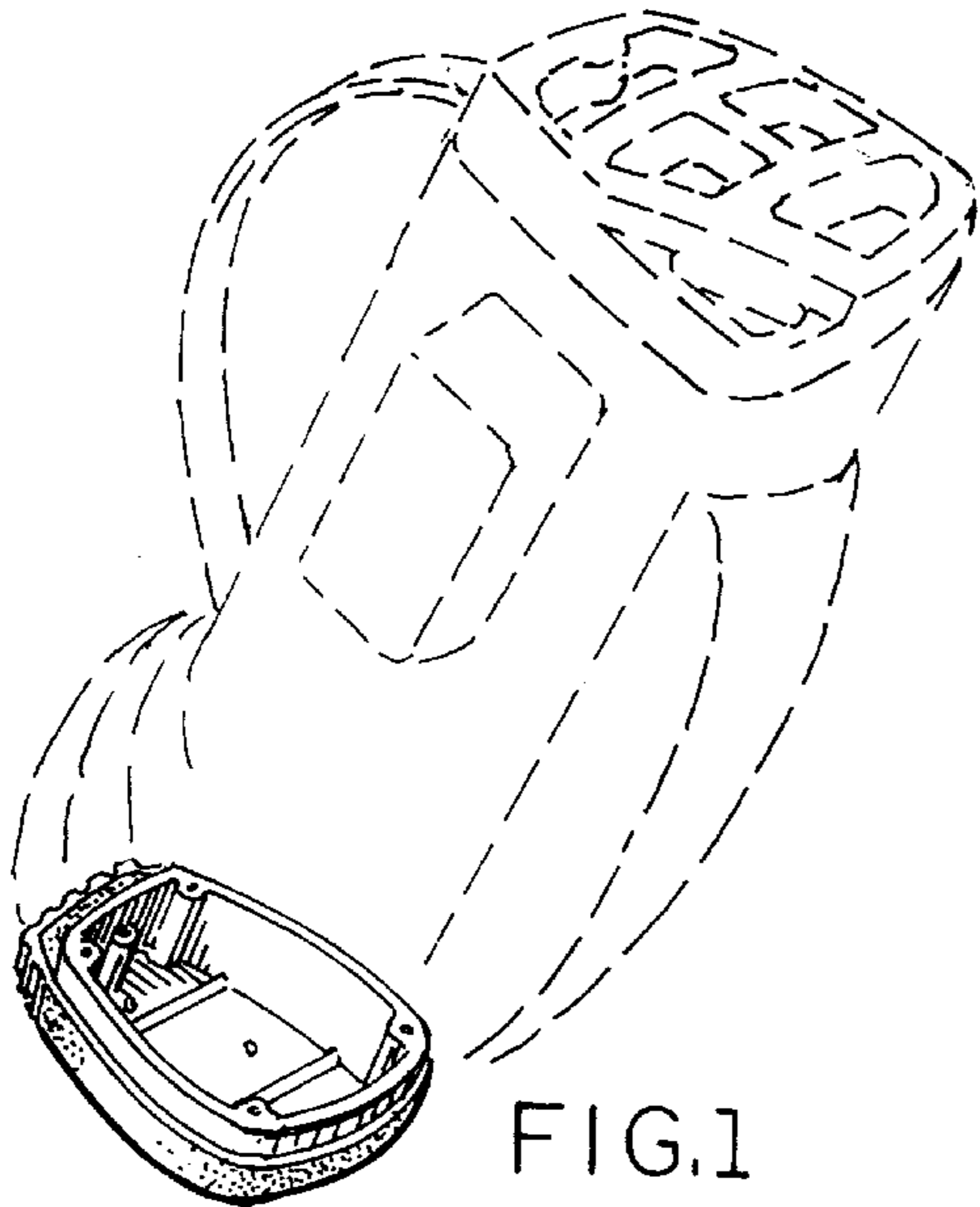


FIG.1

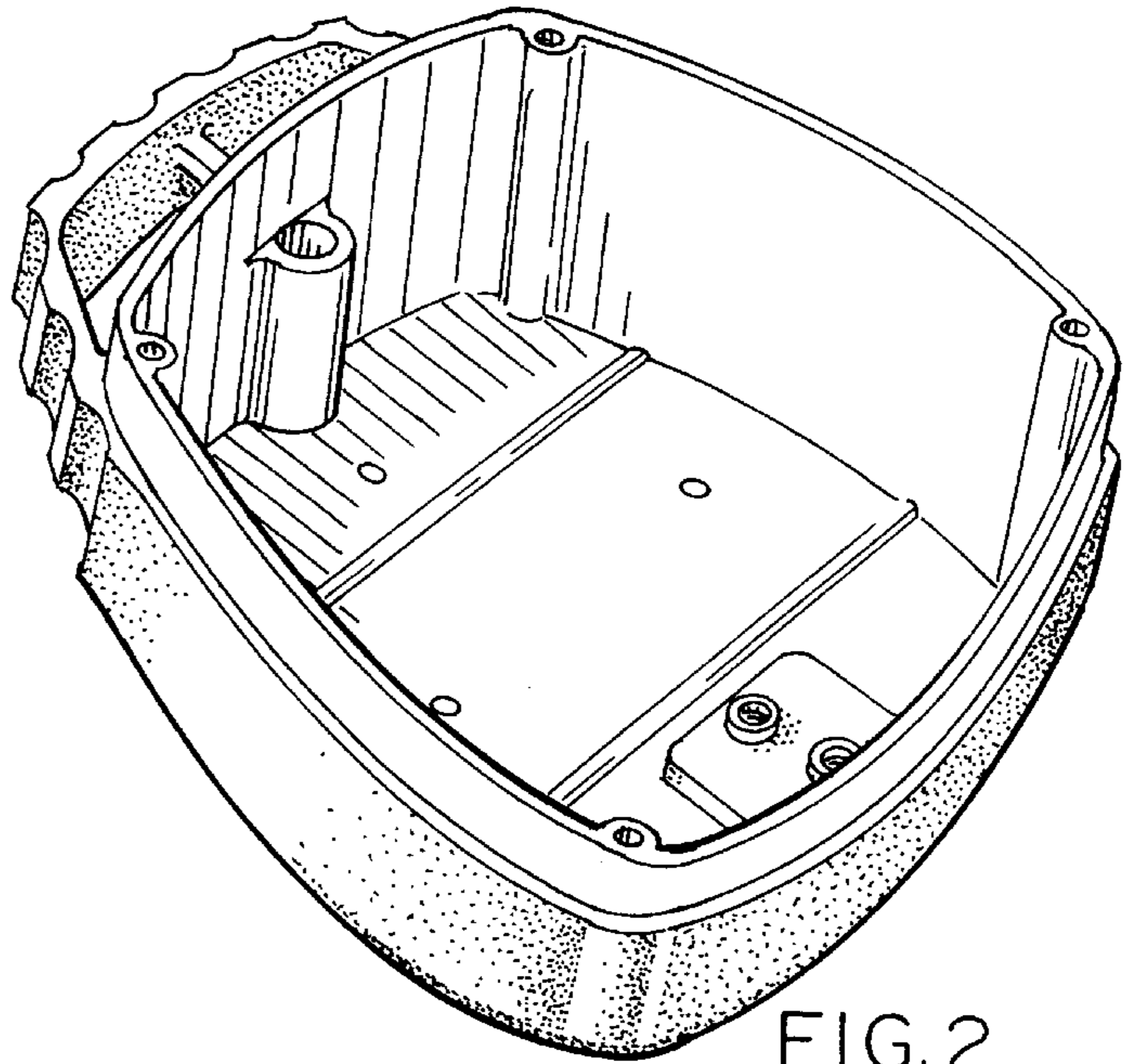


FIG.2

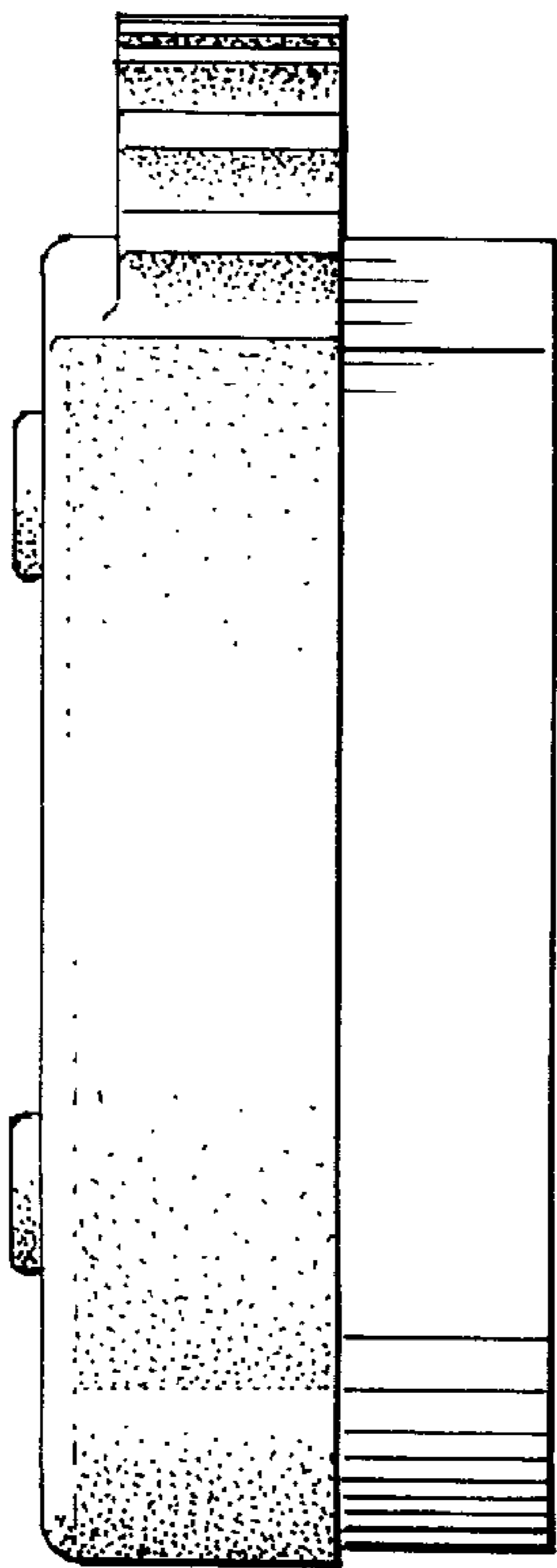


FIG.3

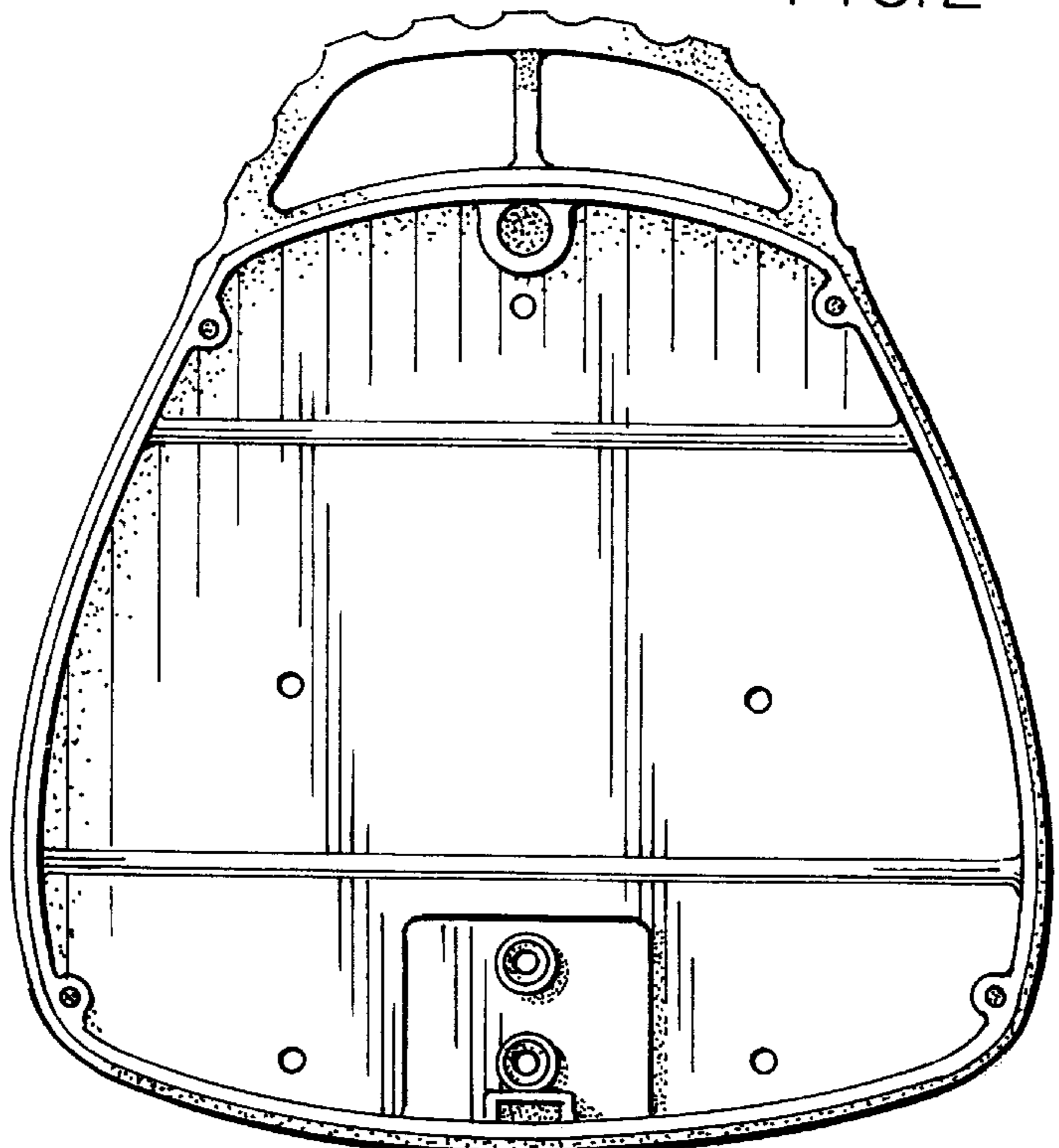


FIG.4

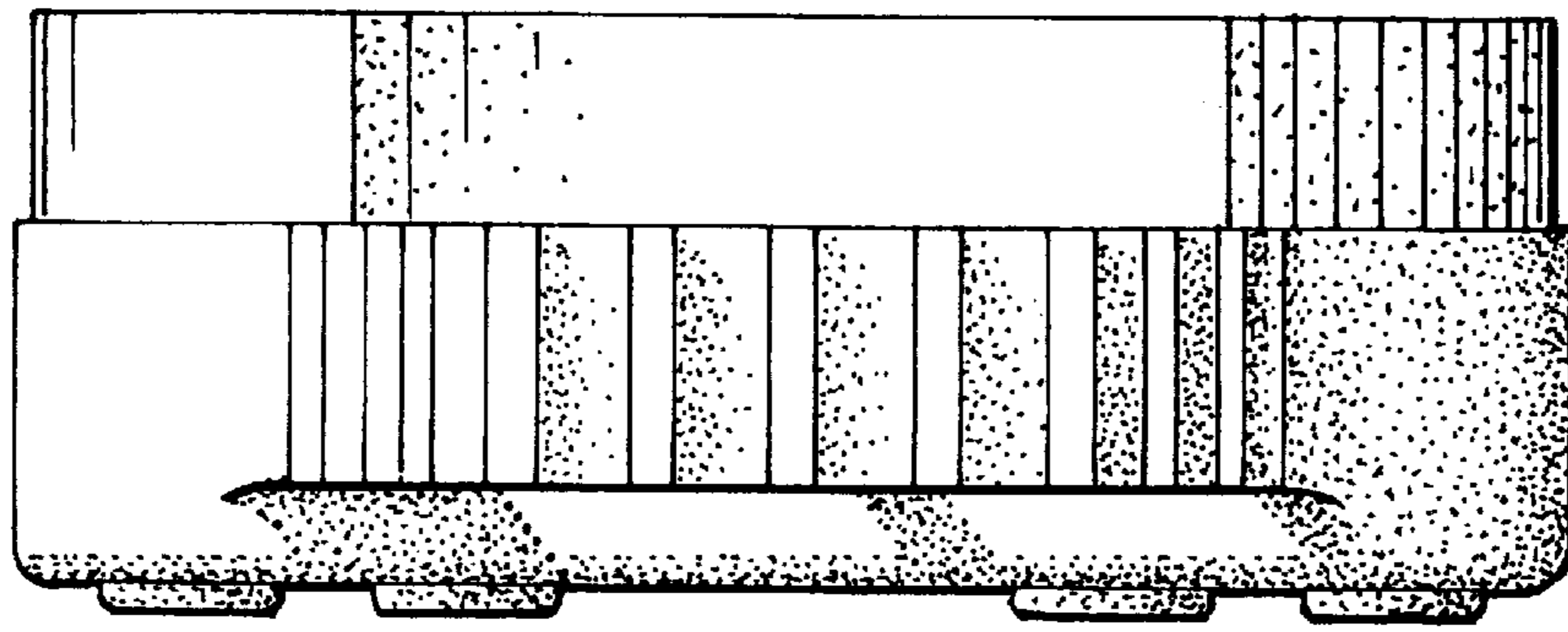


FIG.5

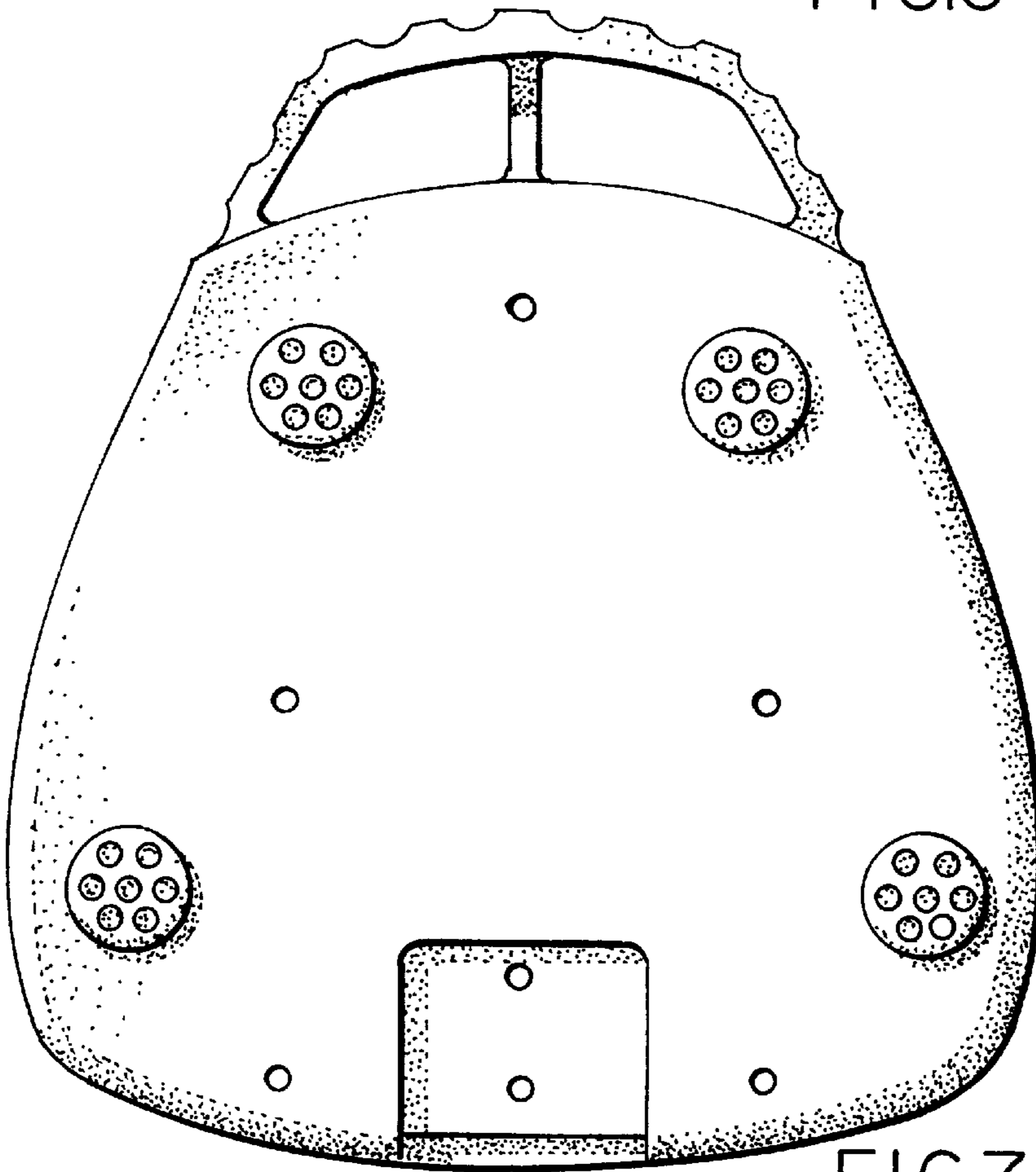


FIG.7

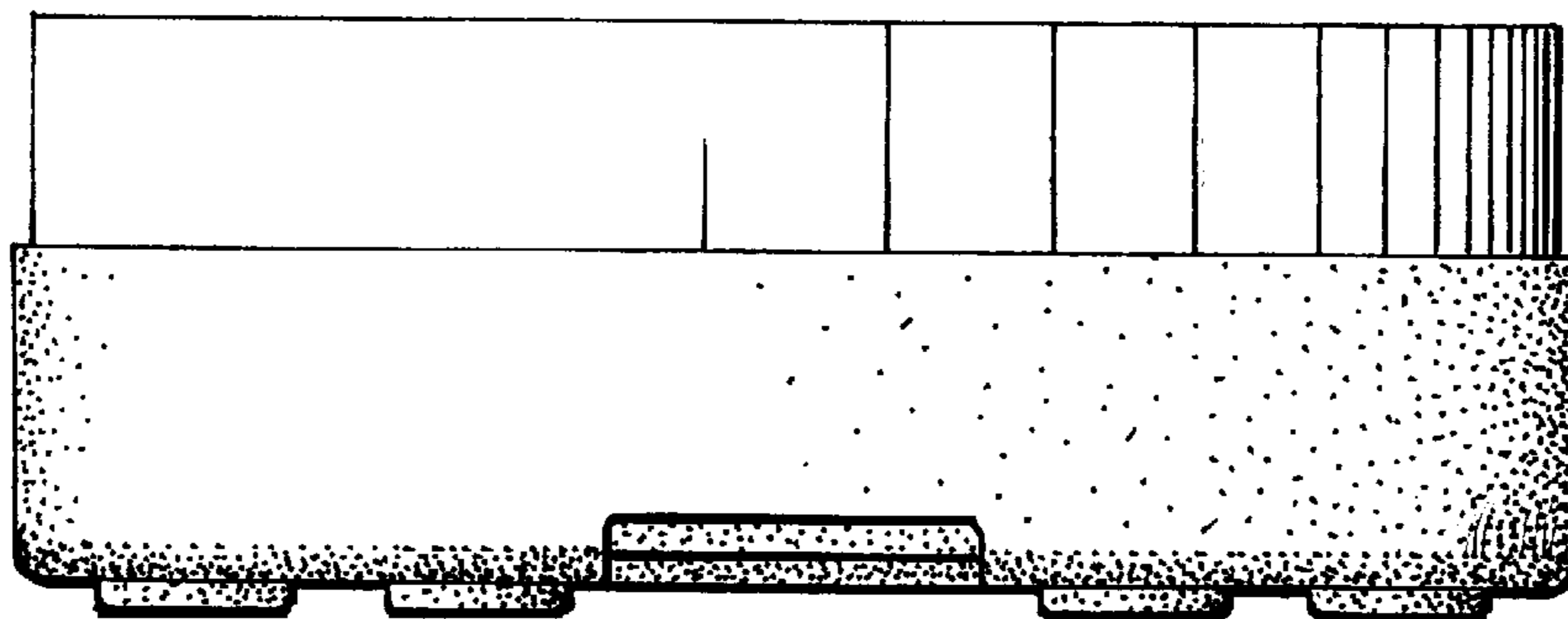


FIG.6