



US00D421824S

United States Patent [19] Hornyak

[11] Patent Number: Des. 421,824

[45] Date of Patent: ** Mar. 21, 2000

[54] SITE FURNITURE IN THE FORM OF A
LITTER RECEPTACLE

[75] Inventor: Marcella Kaye Hornyak, Cabot, Pa.

[73] Assignee: Keystone Ridge Designs, Inc., Butler,
Pa.

[**] Term: 14 Years

[21] Appl. No.: 29/105,218

[22] Filed: May 20, 1999

Related U.S. Application Data

[62] Division of application No. 29/088,305, May 20, 1998, Pat.
No. Des. 413,449.

[51] LOC (6) Cl. 09-09

[52] U.S. Cl. D34/1

[58] Field of Search D34/1, 7, 8, 9,
D34/10, 11, 4; 220/908, 909, 910, 911

[56] References Cited

U.S. PATENT DOCUMENTS

D. 228,223	8/1973	Gilbert	D34/1
D. 332,678	1/1993	Barclay et al.	D34/1
D. 332,851	1/1993	Long	D34/7
D. 337,188	7/1993	Bonskowski	D34/1

D. 353,250	12/1994	Skalka	D34/1
D. 401,720	11/1998	Newquist	D34/1
969,879	9/1910	Karlson	220/908
2,452,097	10/1948	Bornside	220/909
5,490,604	2/1996	Alexander	220/909 X

Primary Examiner—Alan P. Douglas
Assistant Examiner—Cynthia E. Ramirez
Attorney, Agent, or Firm—Webb Ziesenheim Logsdon
Orkin & Hanson, P.C.

[57] CLAIM

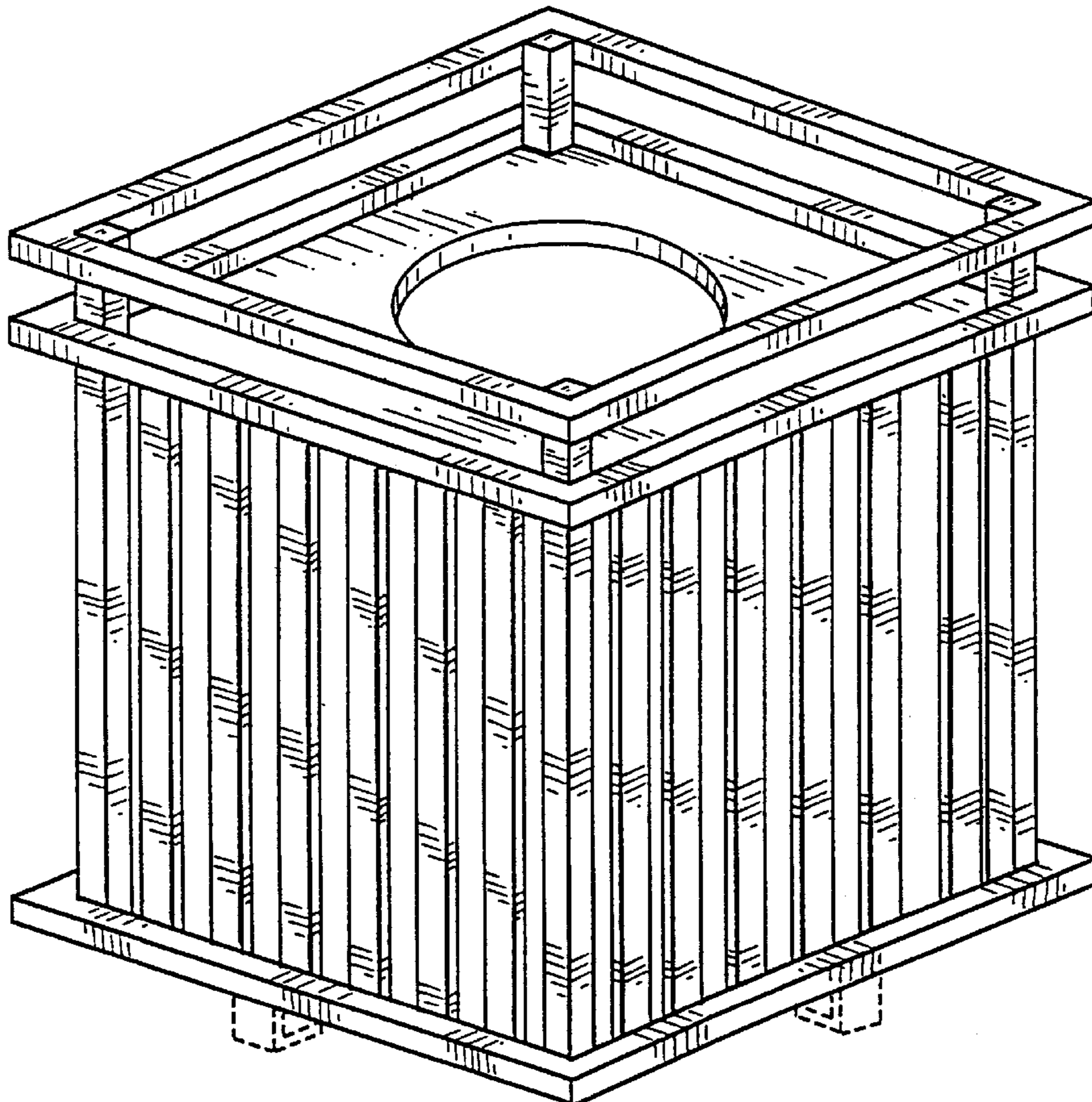
The ornamental design for site furniture in the form of a litter receptacle, as shown and described.

DESCRIPTION

FIG. 1 is a perspective view of site furniture in the form of a litter receptacle showing my new design; FIG. 2 is a front elevation view thereof; FIG. 3 is a rear elevation view thereof; FIG. 4 is a top plan view thereof; FIG. 5 is a bottom plan view thereof; FIG. 6 is a right side elevation view thereof; and, FIG. 7 is a left side elevation view thereof.

The broken lines in FIGS. 1, 2, 3, 5, 6 and 7 are for illustrative purposes only and form no part of the claimed design.

1 Claim, 4 Drawing Sheets



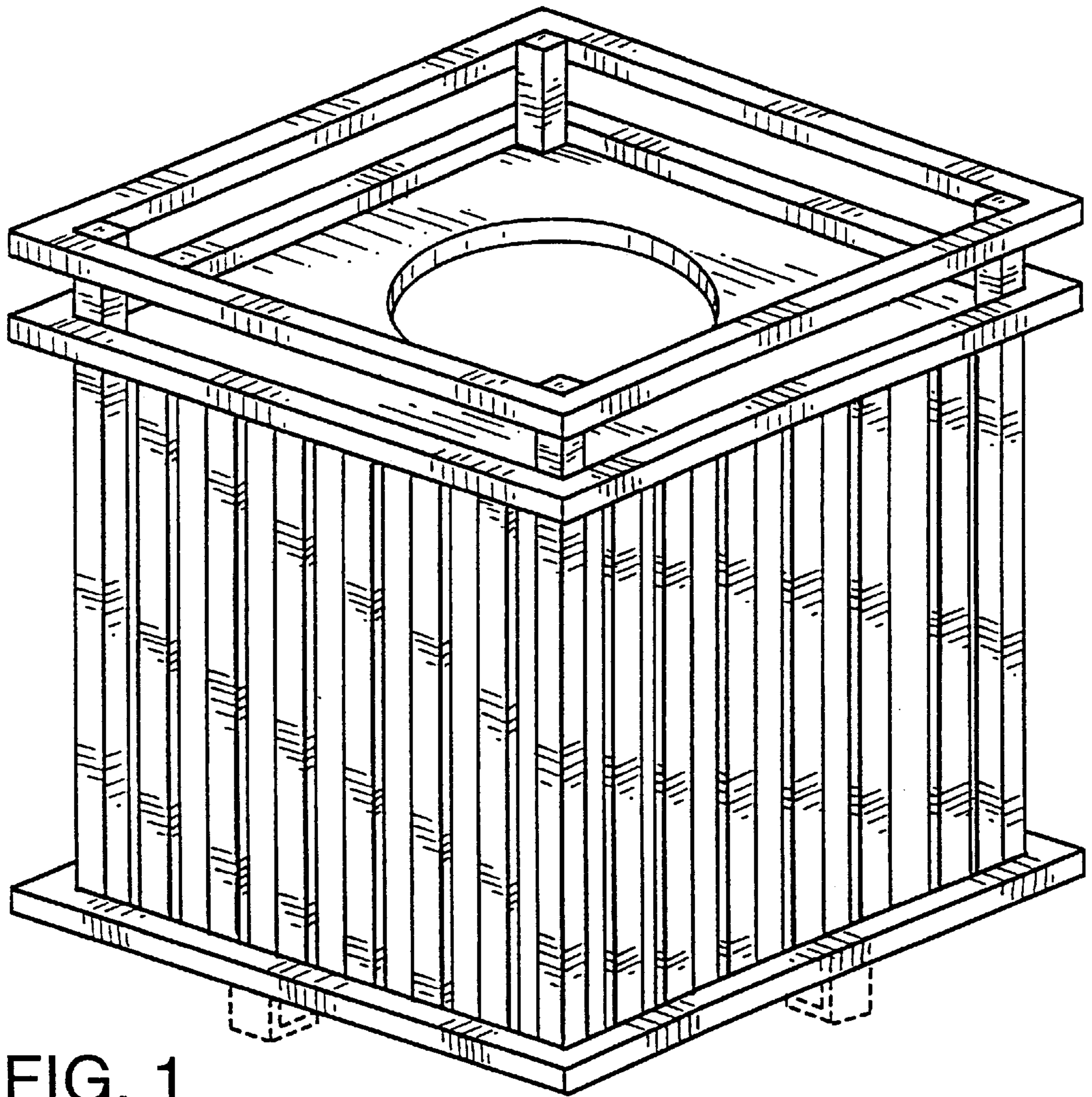


FIG. 1

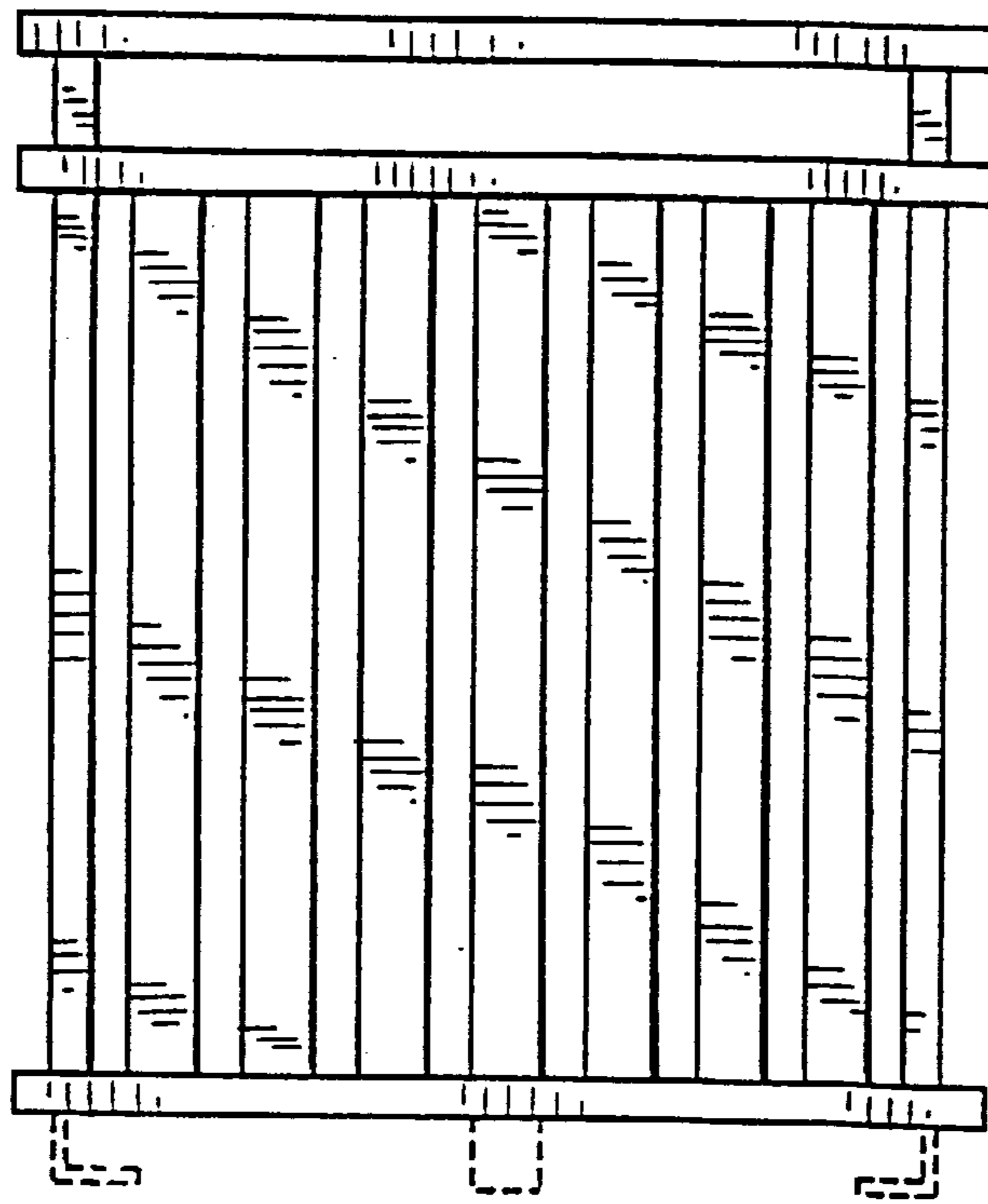


FIG. 2

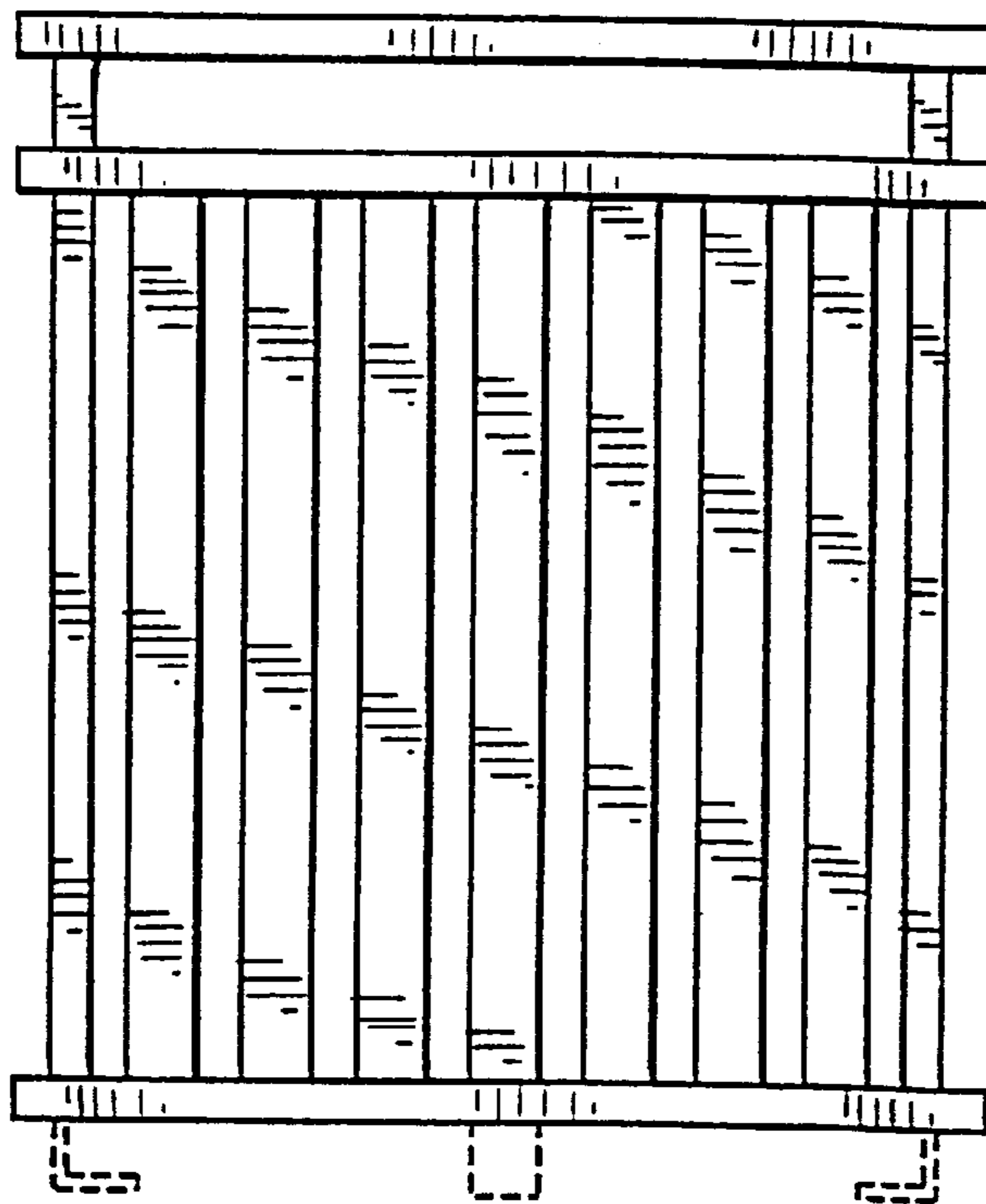


FIG. 3

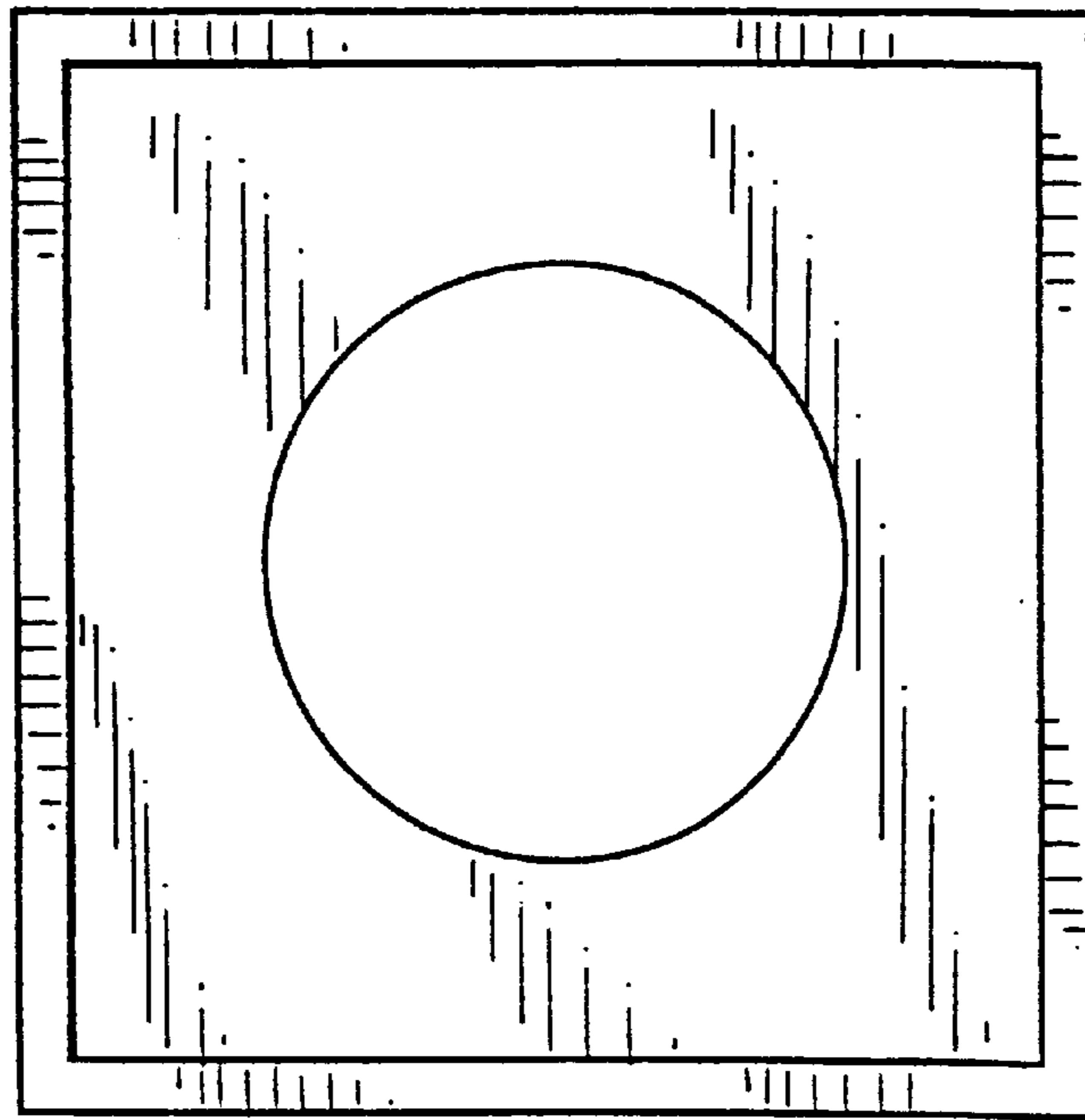


FIG. 4

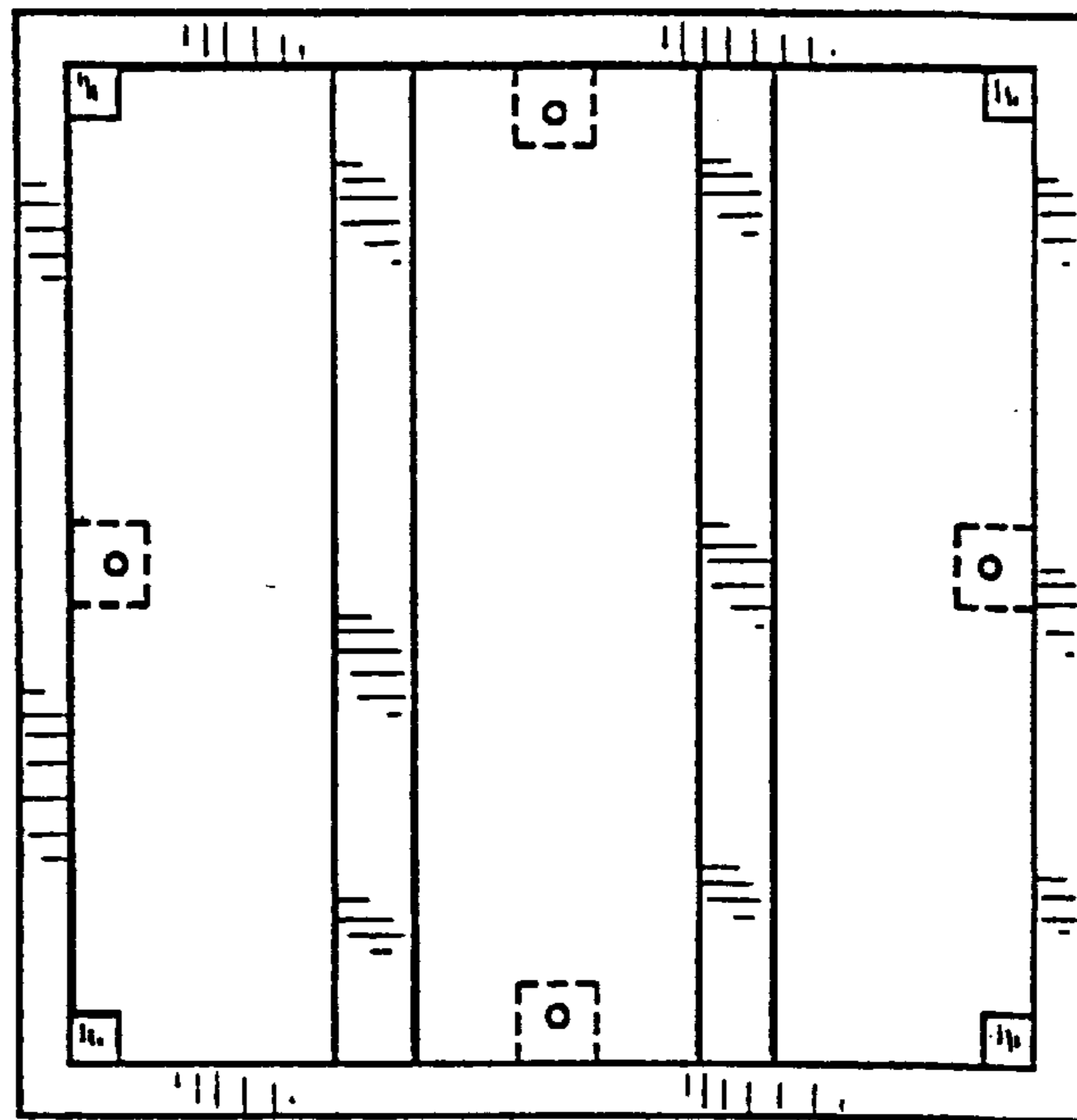


FIG. 5

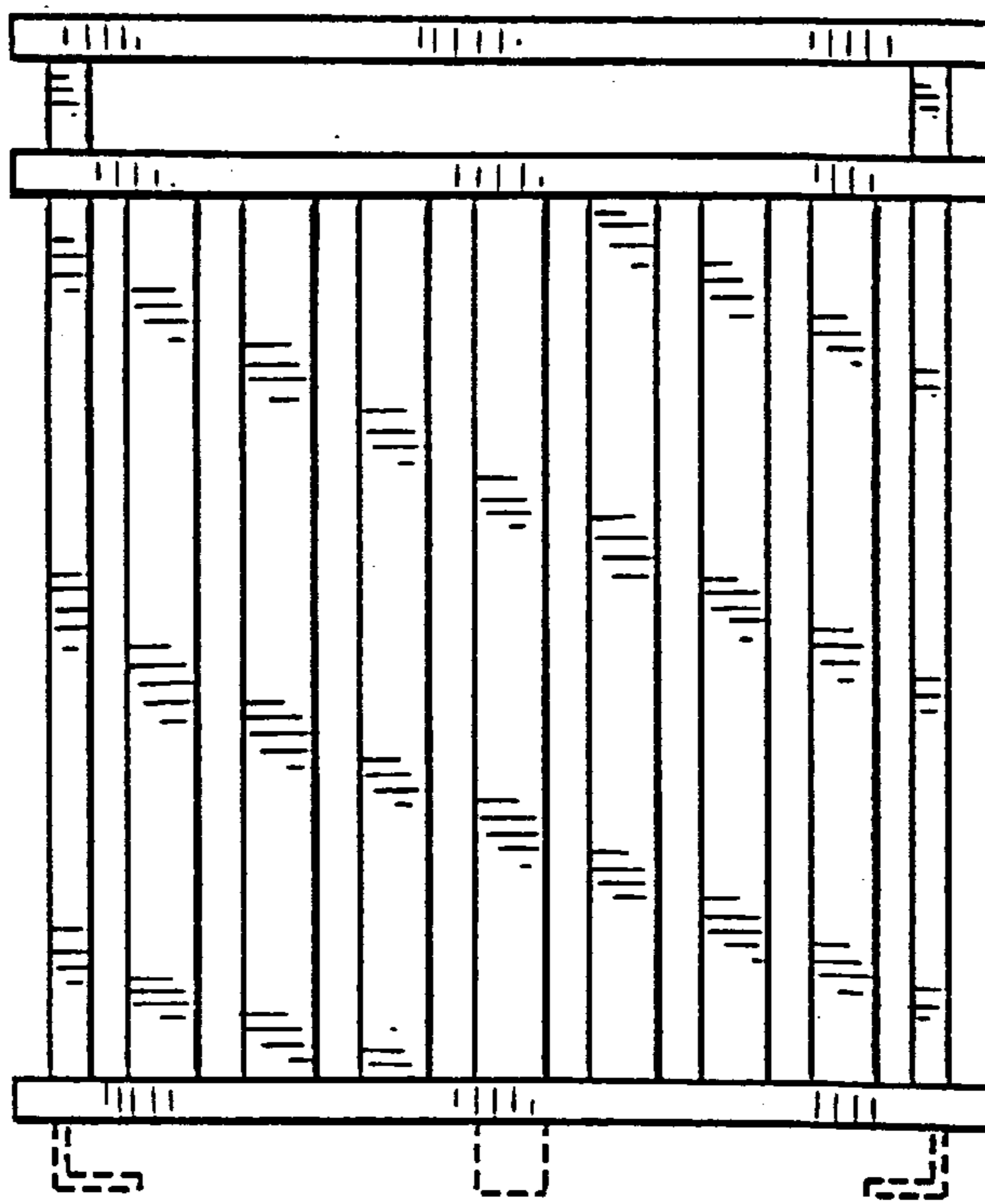


FIG. 6

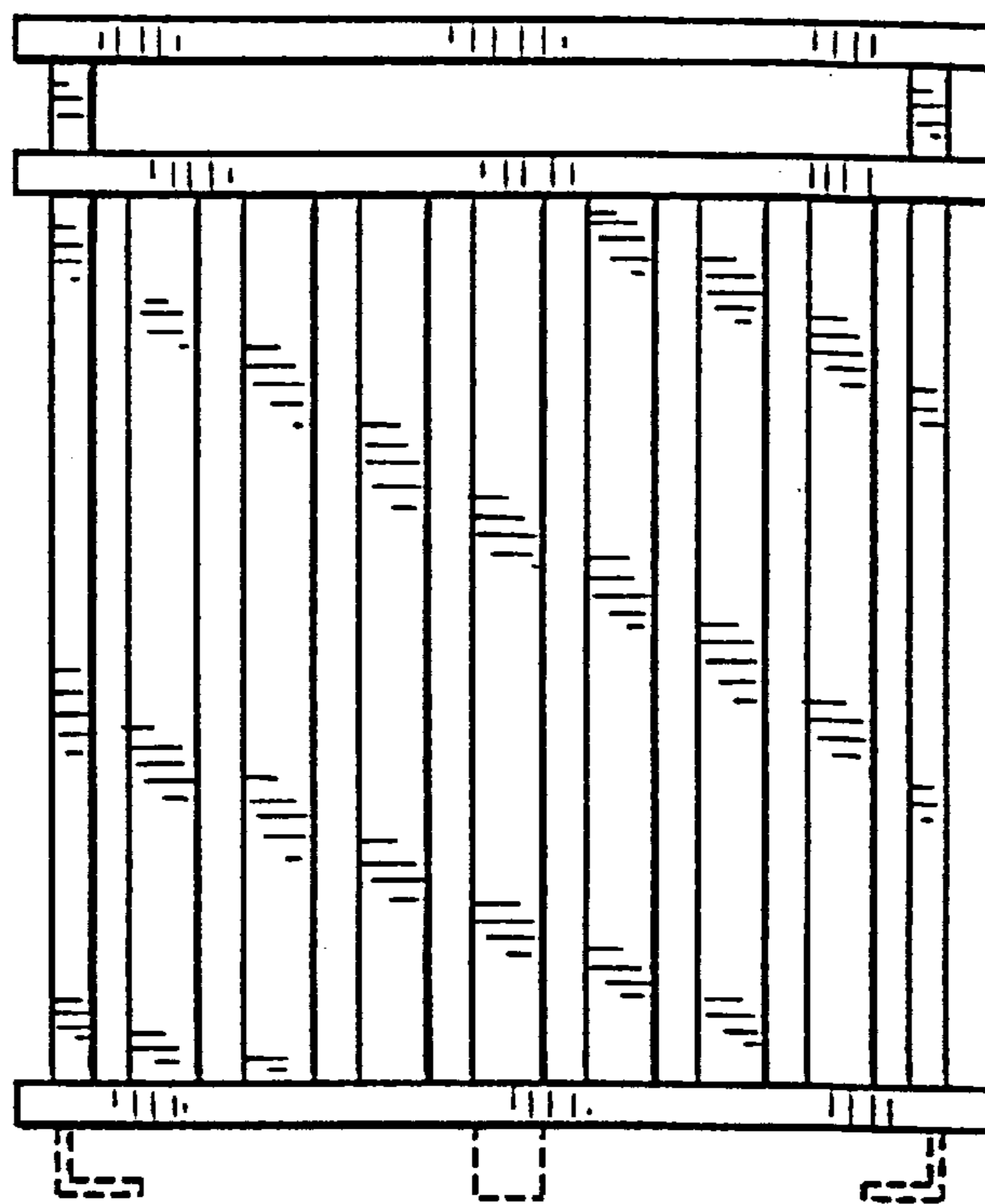


FIG. 7