



US00D421823S

United States Patent [19] Meier

[11] **Patent Number: Des. 421,823**

[45] **Date of Patent: ** Mar. 21, 2000**

[54] **COMBINED LITTER AND RECYCLING BIN**

[75] Inventor: **Richard Meier**, New York, N.Y.

[73] Assignee: **More Group PLC**, London, United Kingdom

[**] Term: **14 Years**

[21] Appl. No.: **29/095,290**

[22] Filed: **Oct. 20, 1998**

[30] **Foreign Application Priority Data**

Apr. 17, 1997 [GB] United Kingdom 2064989

[51] **LOC (6) Cl.** **09-09**

[52] **U.S. Cl.** **D34/1; D25/1**

[58] **Field of Search** **D34/1, 6, 5, 8, D34/11; 220/908, 909, 910, 911; 52/27.5, 34, 35, 36.1, 36.2; D25/16, 1**

[56] **References Cited**

U.S. PATENT DOCUMENTS

D. 304,134	10/1989	Griffiths	D25/16
D. 369,007	4/1996	Jones	D34/1
5,216,853	6/1993	Dignan et al.	52/36.1

Primary Examiner—Doris Clark
Attorney, Agent, or Firm—Fulbright & Jaworski L.L.P.

[57] **CLAIM**

I claim the ornamental design for combined litter and recycling bin, as shown and described.

DESCRIPTION

FIG. 1 is a front and rear view of my design for combined litter and recycling bin.

FIG. 2 is a side view thereof;

FIG. 3 is a top plan view thereof;

FIG. 4 is the other side view thereof;

FIG. 5 is a section view thereof as shown on 5—5 of FIG. 1; and

FIG. 6 is a section view thereof as shown on FIG. 2.

FIG. 7 is a front and rear view of a second embodiment of my design for combined litter and recycling bin.

FIG. 8 is a side view thereof;

FIG. 9 is a top plan view thereof;

FIG. 10 is the other side view thereof;

FIG. 11 is a section view thereof as shown on 11—11 of FIG. 7; and,

FIG. 12 is a section view thereof as shown on FIG. 8.

1 Claim, 2 Drawing Sheets

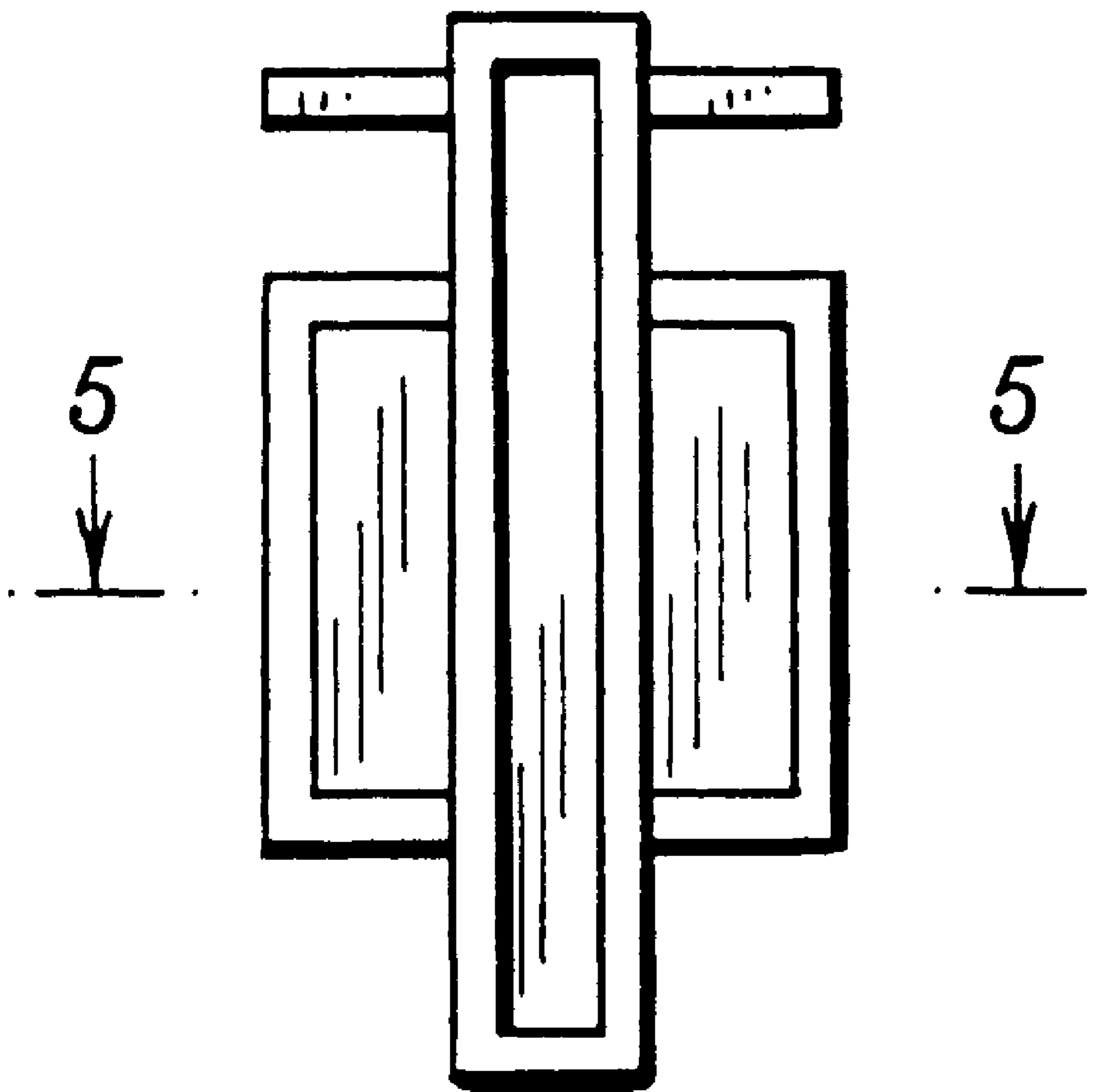


FIG. 1

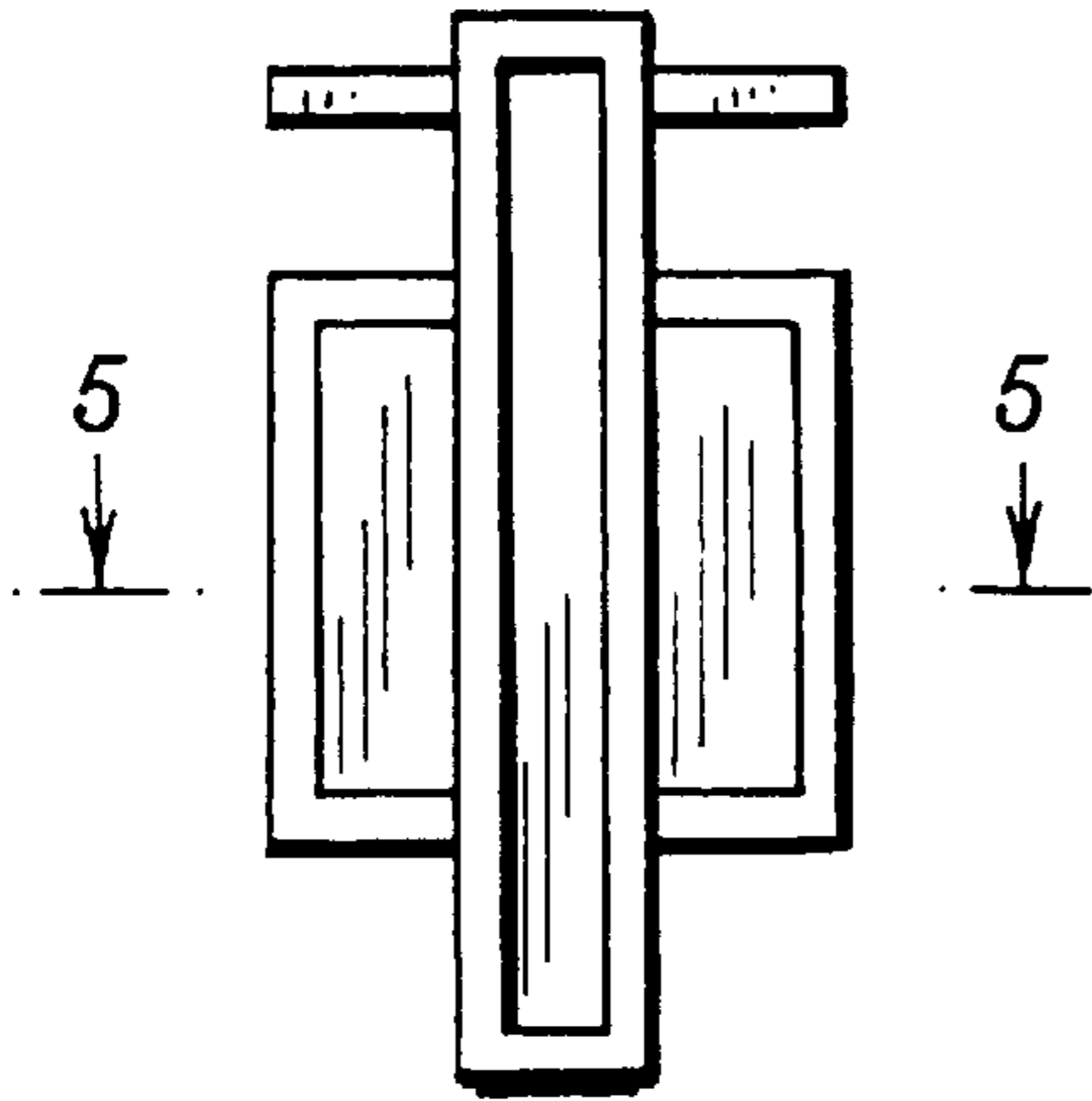


FIG. 2

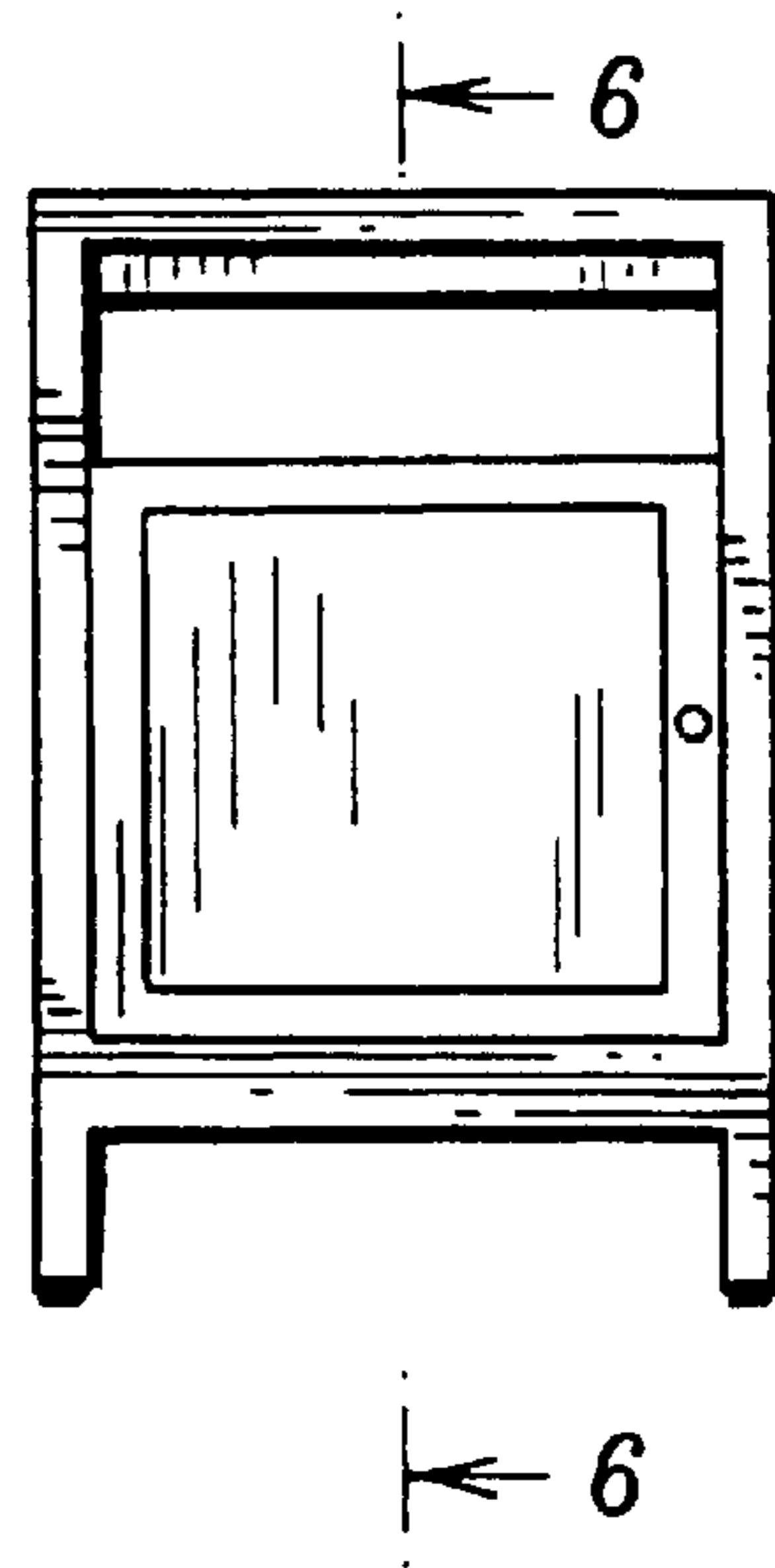


FIG. 3

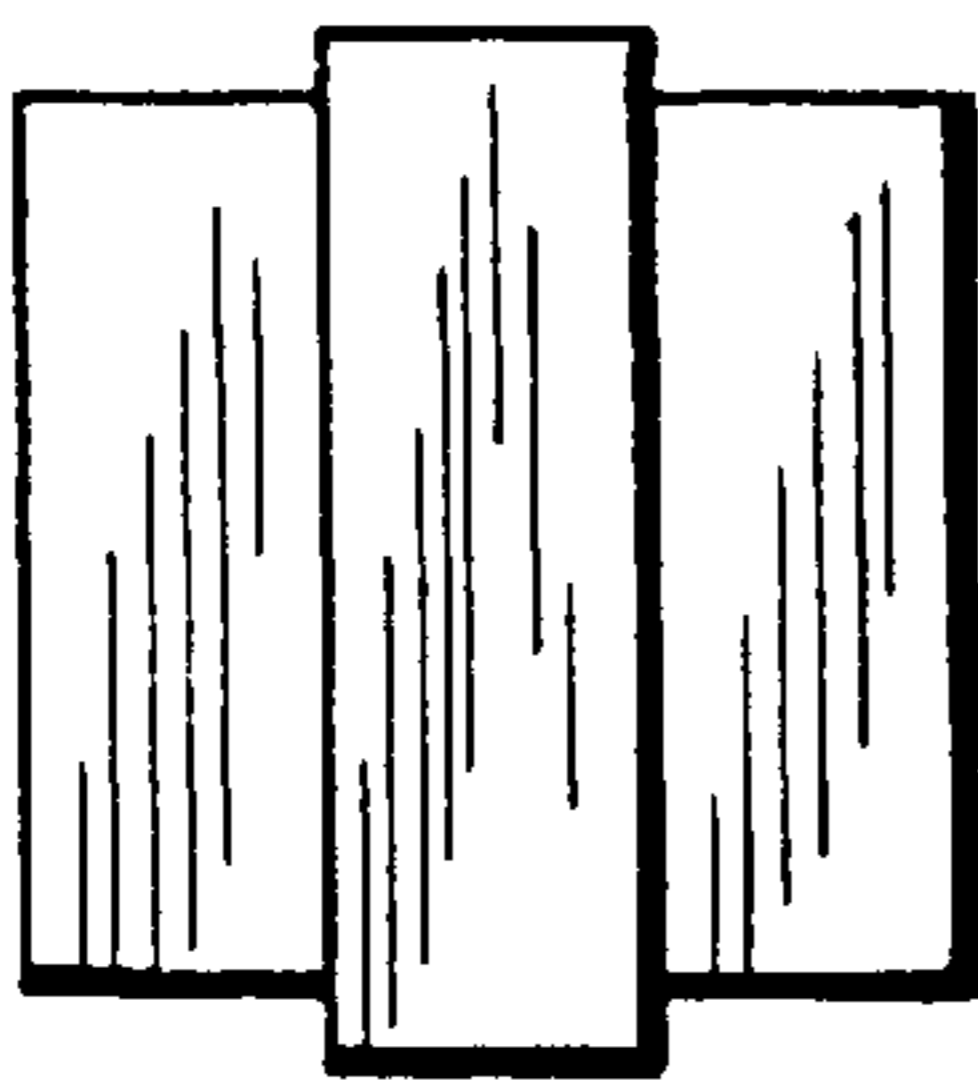


FIG. 4

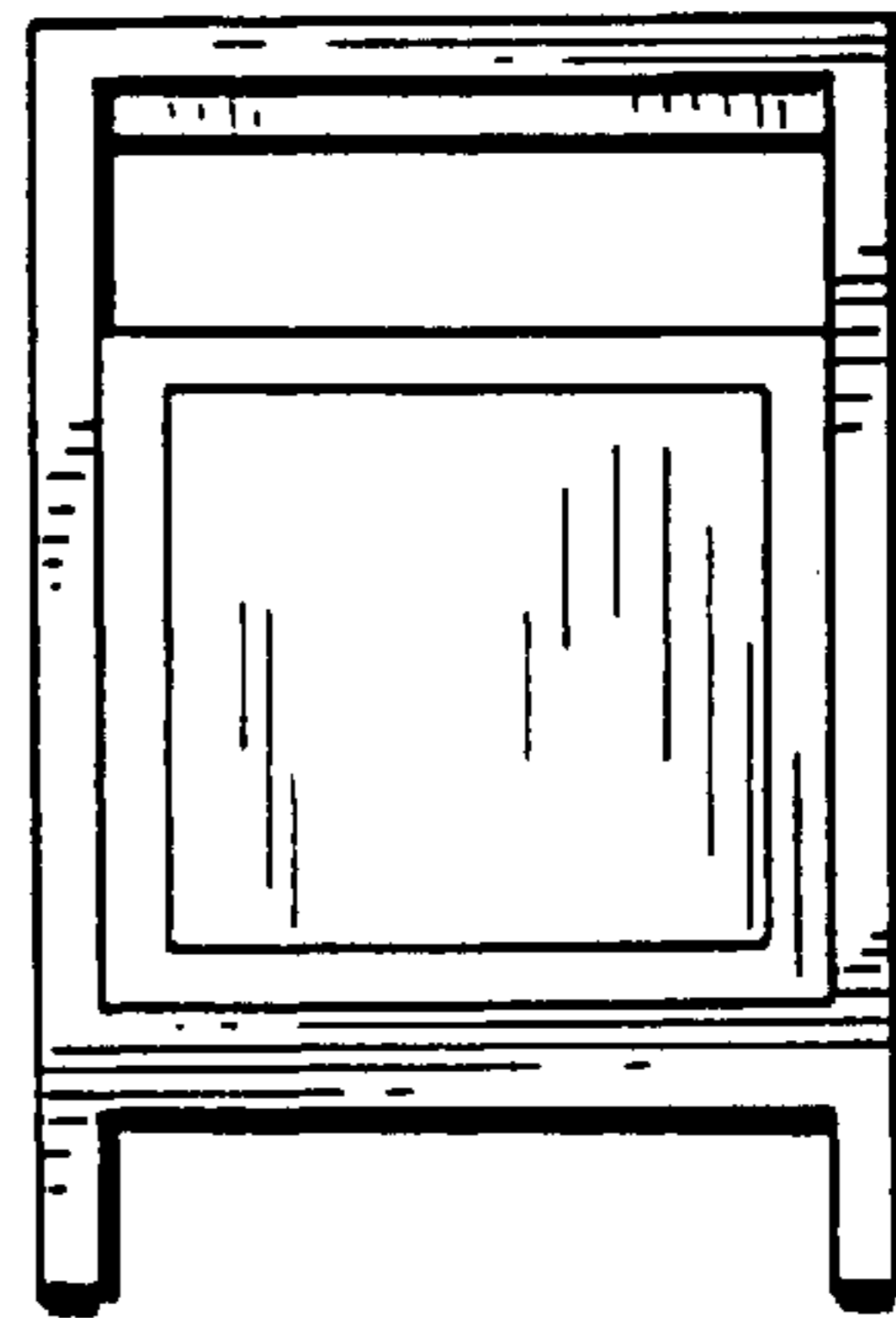


FIG. 5

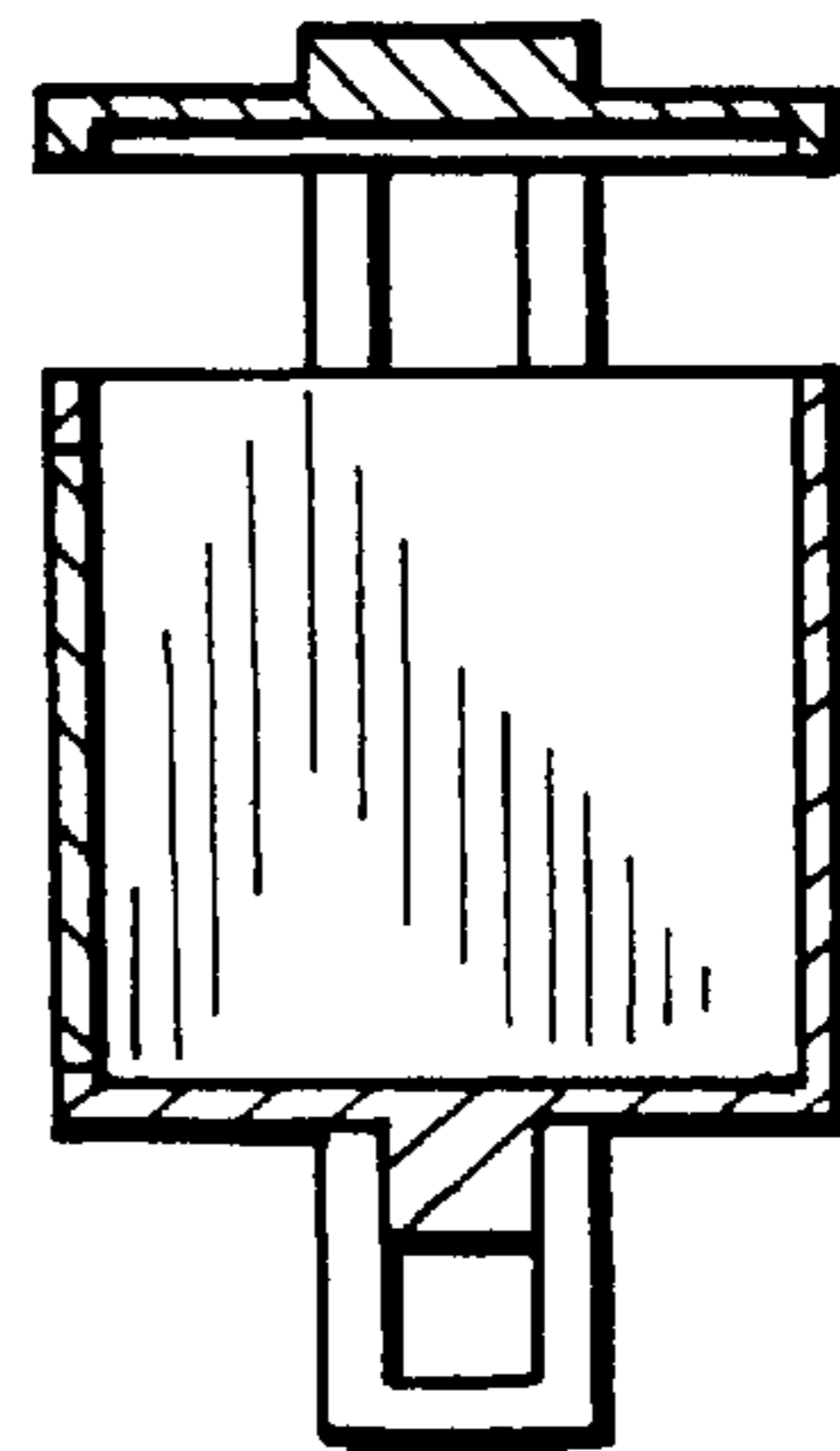
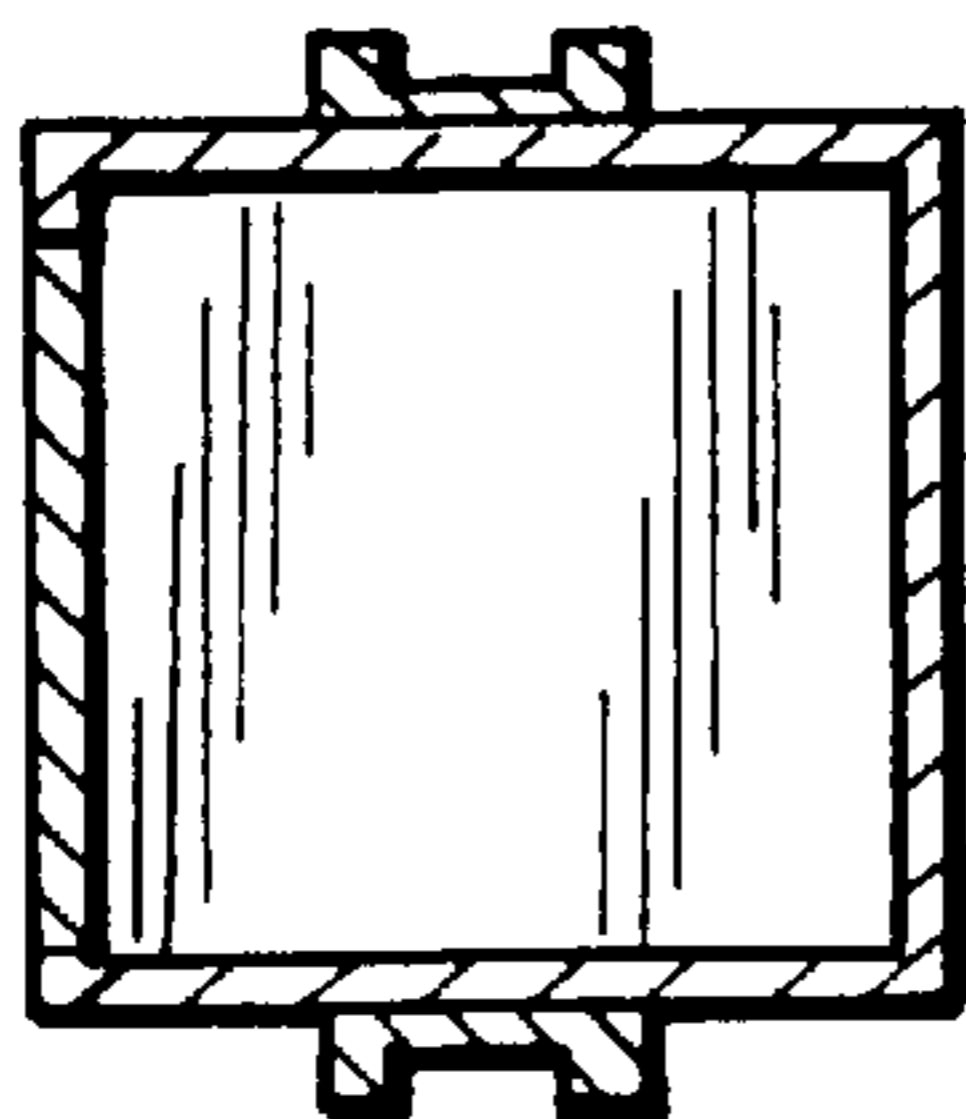


FIG. 6

FIG. 8

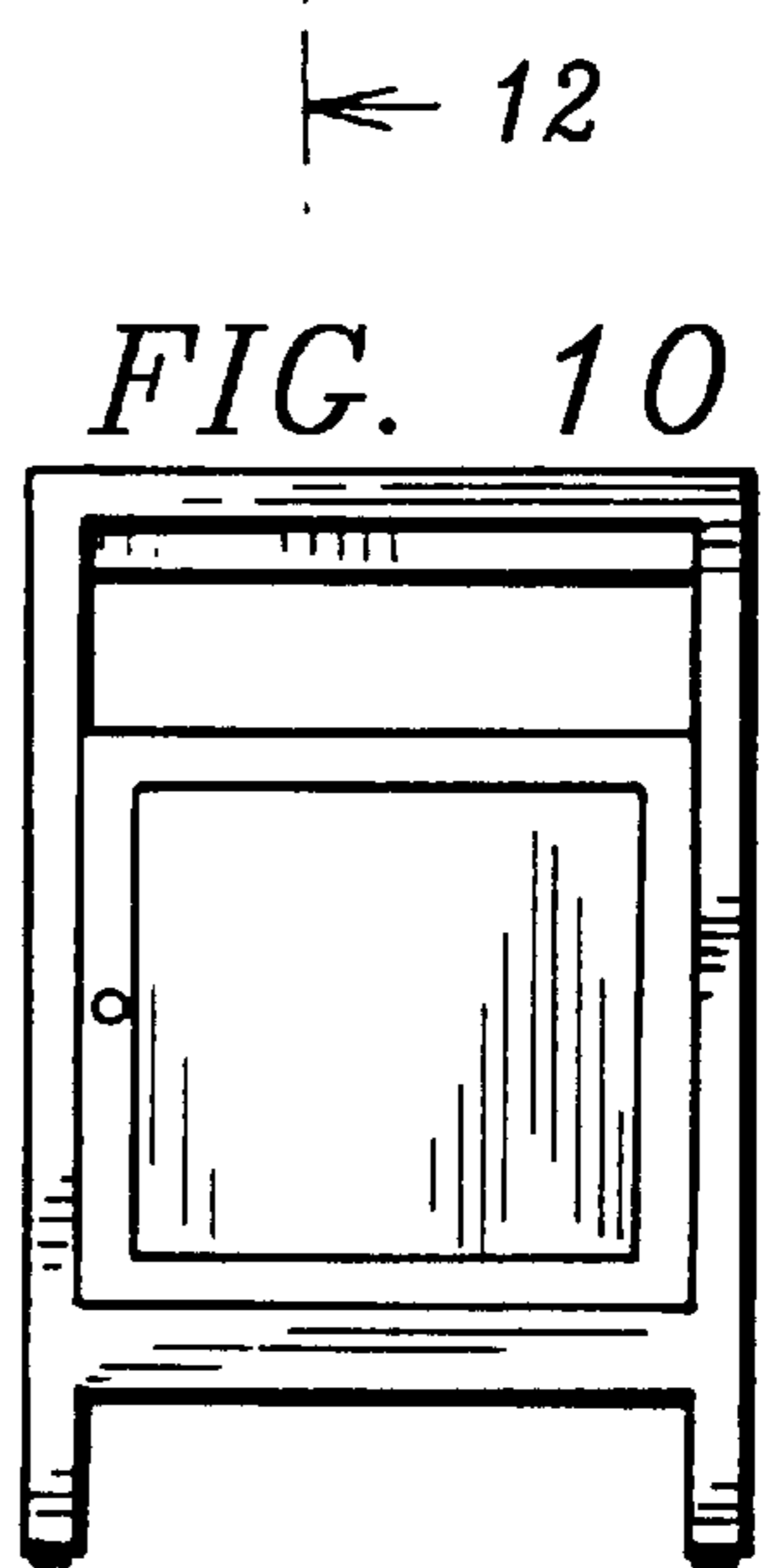
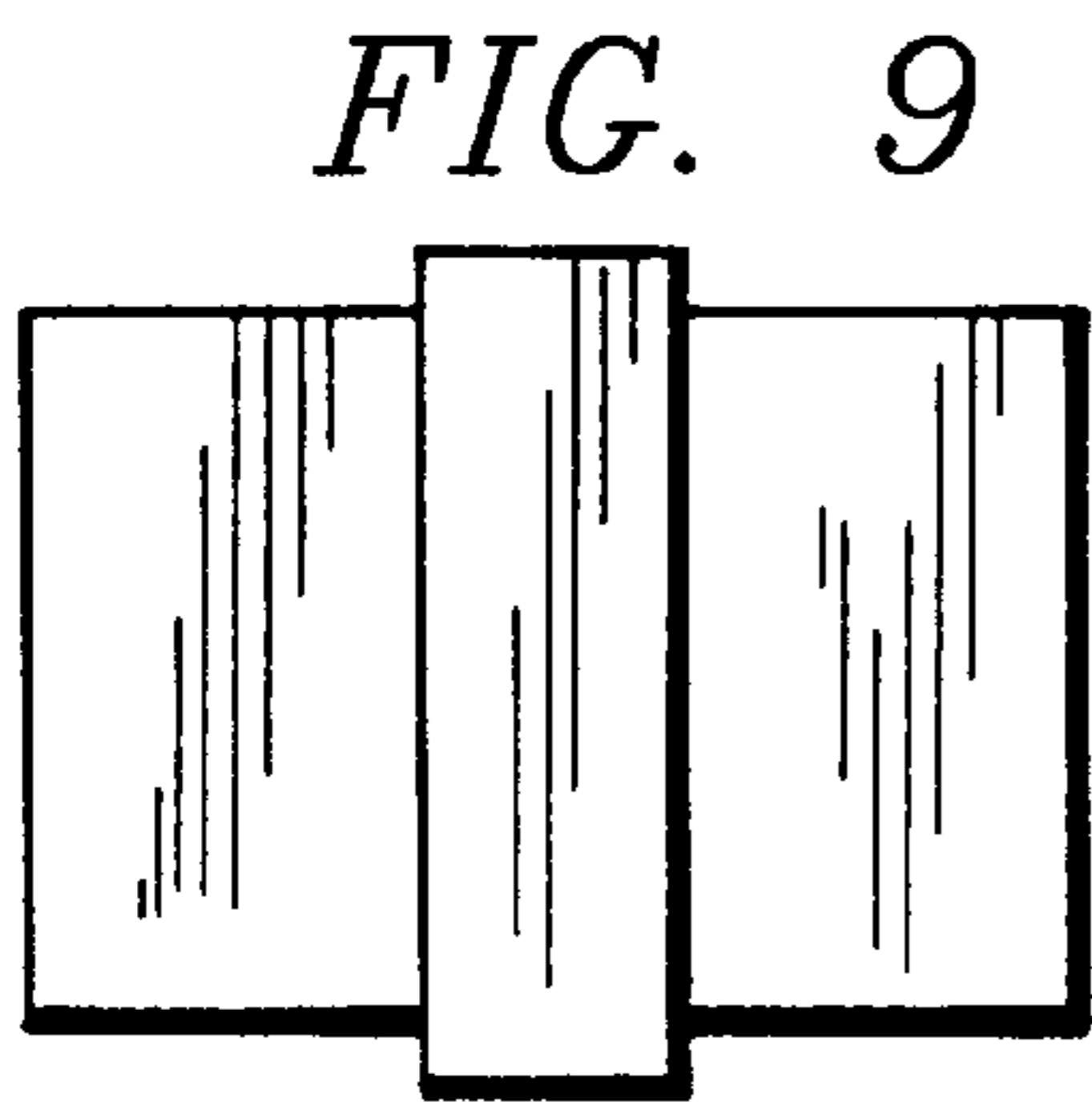
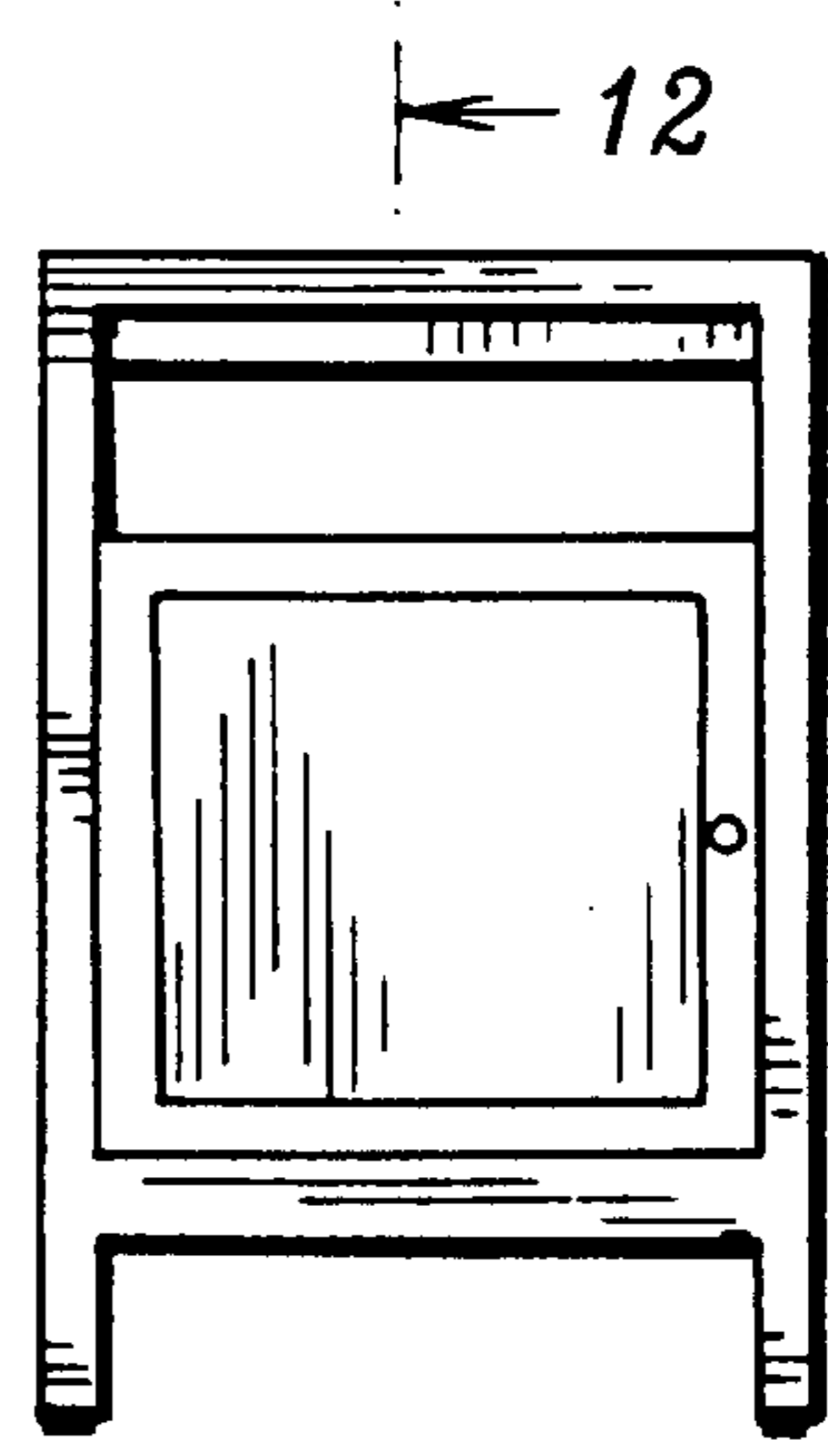
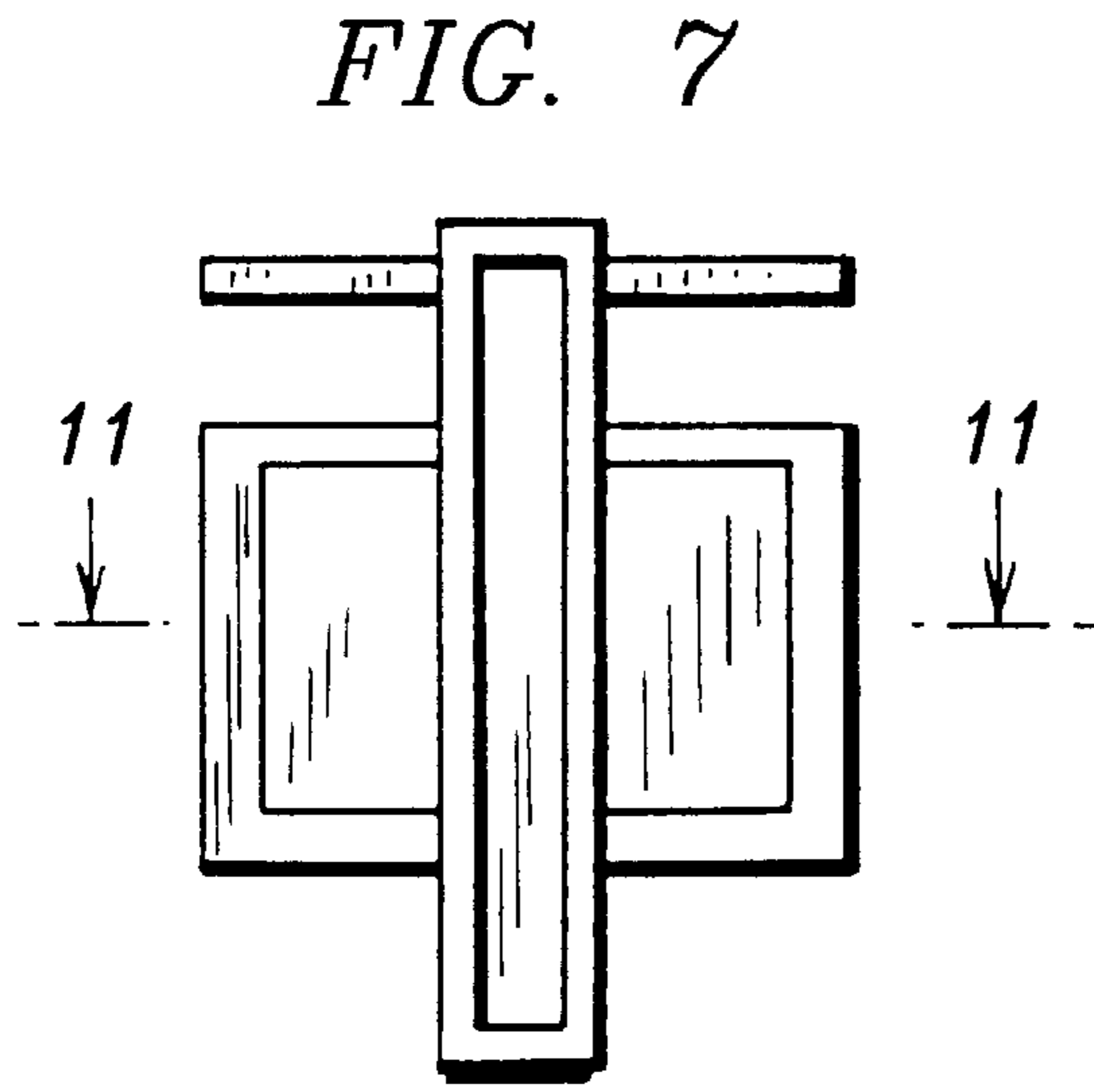


FIG. 10

FIG. 11

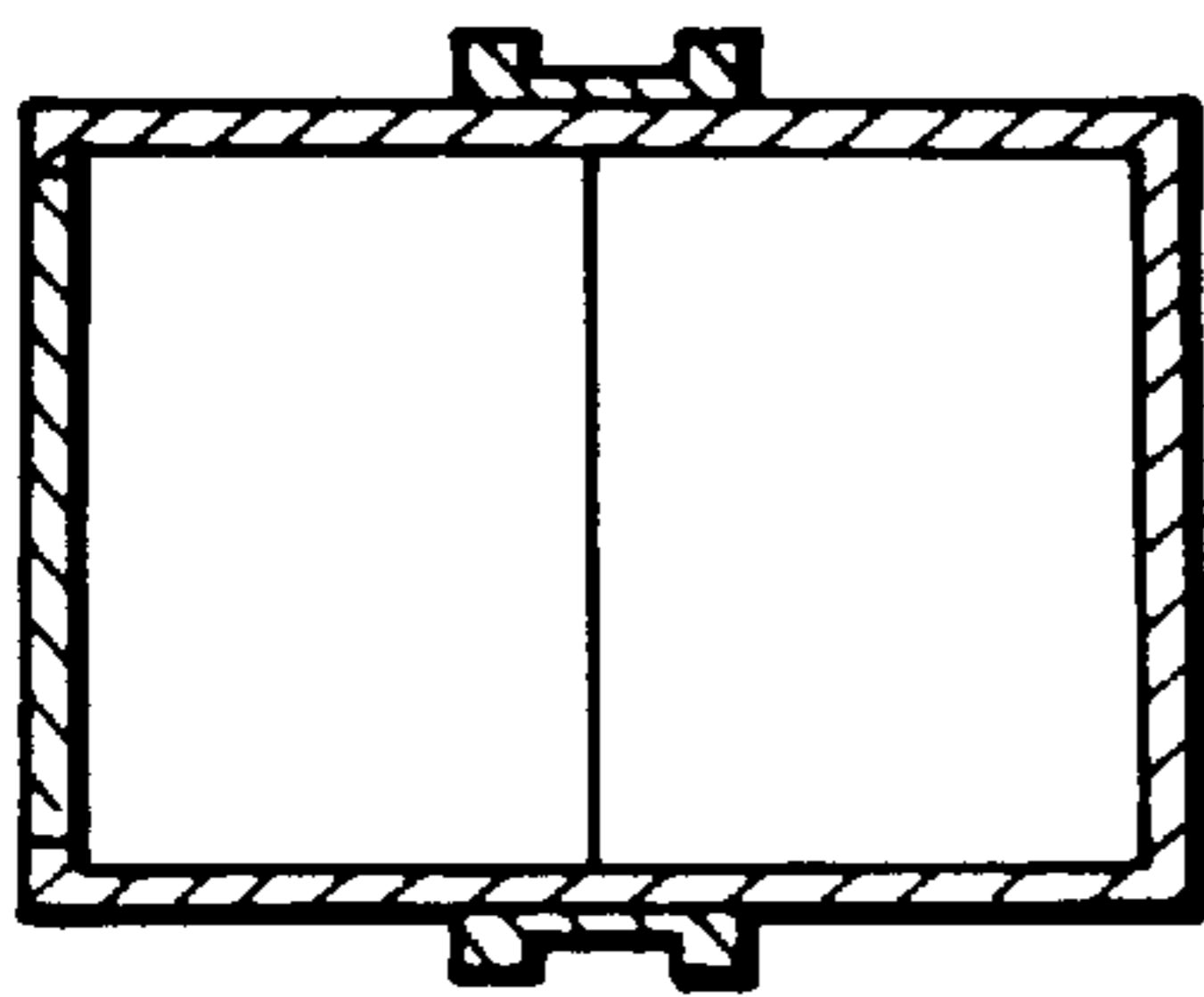


FIG. 12

