



US00D421816S

**United States Patent** [19]  
**Canton Gongora et al.**

[11] **Patent Number: Des. 421,816**  
[45] **Date of Patent: \*\* Mar. 21, 2000**

[54] **MODULAR LIGHTING FIXTURE**

[75] Inventors: **Antonio Canton Gongora; Carlos Jesús Cruz Fernandez; José María Muñagorri Enriquez; Juan Carlos Rayo Ortigüela**, all of Madrid, Spain

[73] Assignee: **Telefonica de Espana, S.A.**, Madrid, Spain

[\*\*] Term: **14 Years**

[21] Appl. No.: **29/062,704**

[22] Filed: **Nov. 21, 1996**

[30] **Foreign Application Priority Data**

May 21, 1996 [ES] Spain ..... 137528

[51] **LOC (6) Cl.** ..... **26-05**

[52] **U.S. Cl.** ..... **D26/76; D26/85**

[58] **Field of Search** ..... **D26/72, 75, 76, D26/77, 78, 80-92; 362/147, 404-408, 432, 222, 223**

[56] **References Cited**

**U.S. PATENT DOCUMENTS**

D. 189,256 11/1960 Rothman ..... D26/76

**OTHER PUBLICATIONS**

Harry Gitlin Lighting flyer, wall lamp #3003, surface pattern, 1985.

Miller Lighting Catalog, p. 6, fluorescent ceiling fixture, 1964-65.

*Primary Examiner*—Susan J. Lucas  
*Attorney, Agent, or Firm*—Reid & Priest LLP

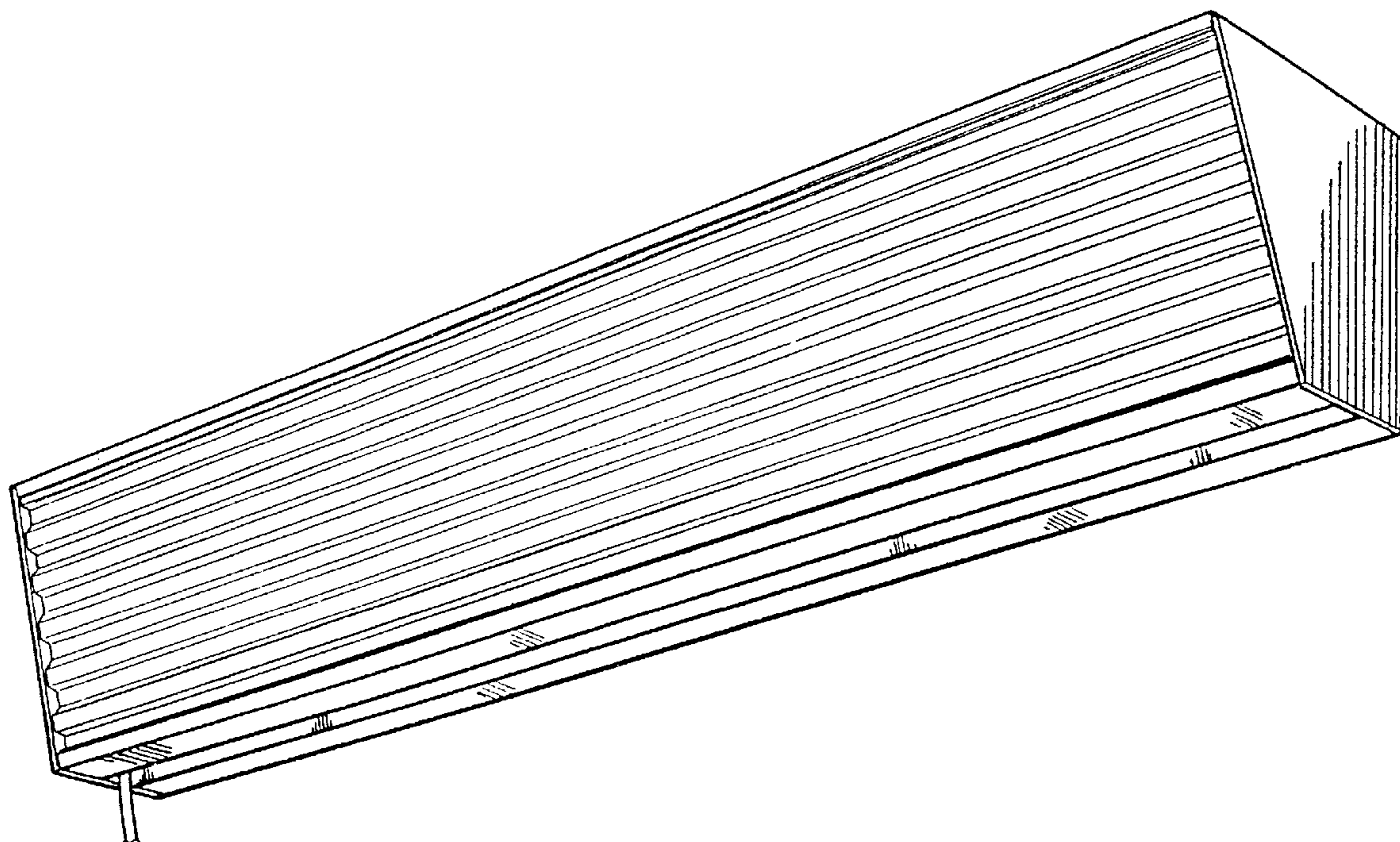
[57] **CLAIM**

The ornamental design for a modular lighting fixture, as shown and described.

**DESCRIPTION**

FIG. 1 is a top plan view of a modular lighting fixture embodying our new and ornamental design; FIG. 2 is a left side elevation thereof; FIG. 3 is a front elevation view thereof; FIG. 4 is a right side elevation thereof; FIG. 5 is a bottom plan view thereof; FIG. 6 is a rear elevation view thereof; FIG. 7 is a front perspective view thereof; and, FIG. 8 is a greatly enlarged view of the surface pattern on the front and rear diffuser panels, it being understood that the pattern shown in FIG. 8 is uniformly continuous over the surface of each diffuser.

**1 Claim, 2 Drawing Sheets**



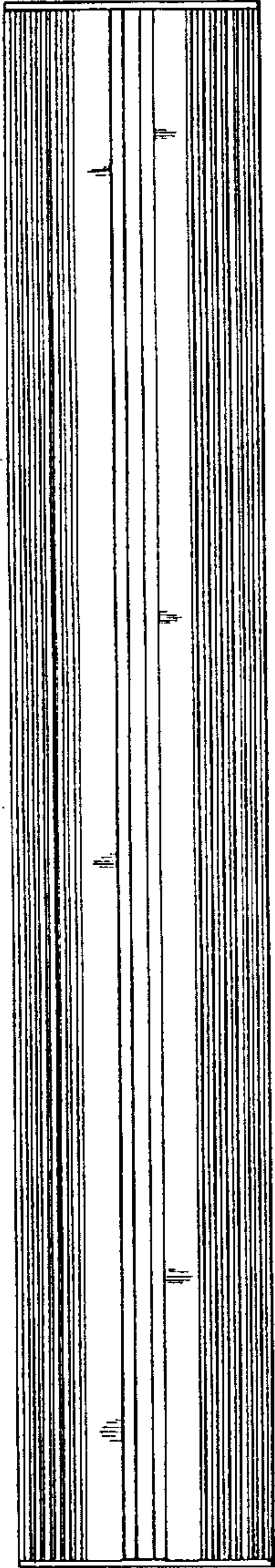


FIG. 1

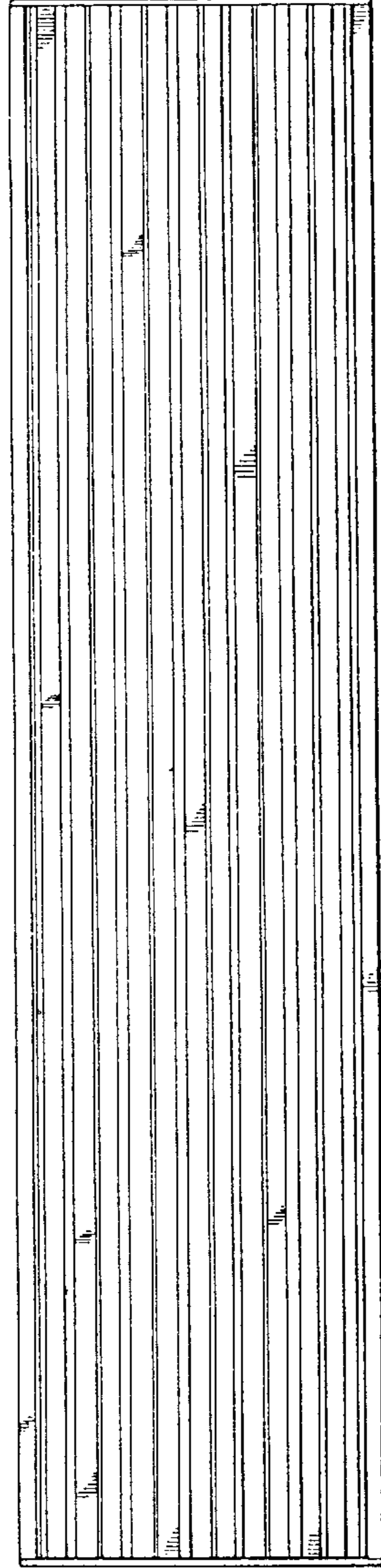


FIG. 3

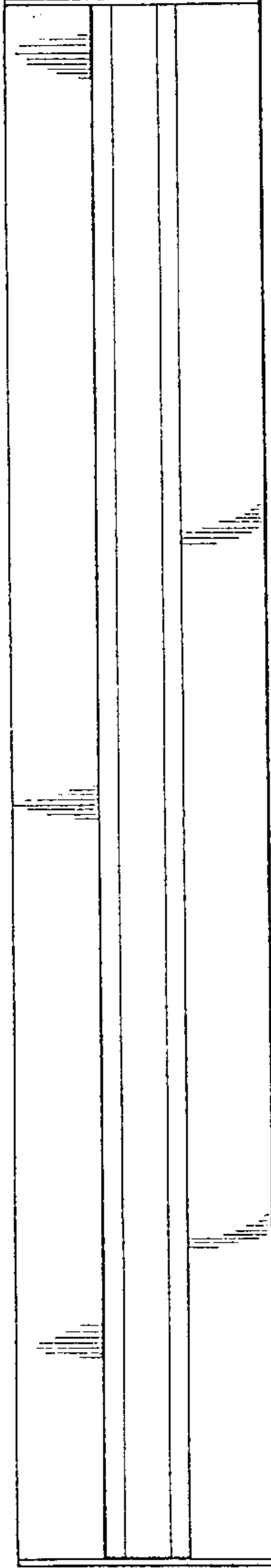


FIG. 5

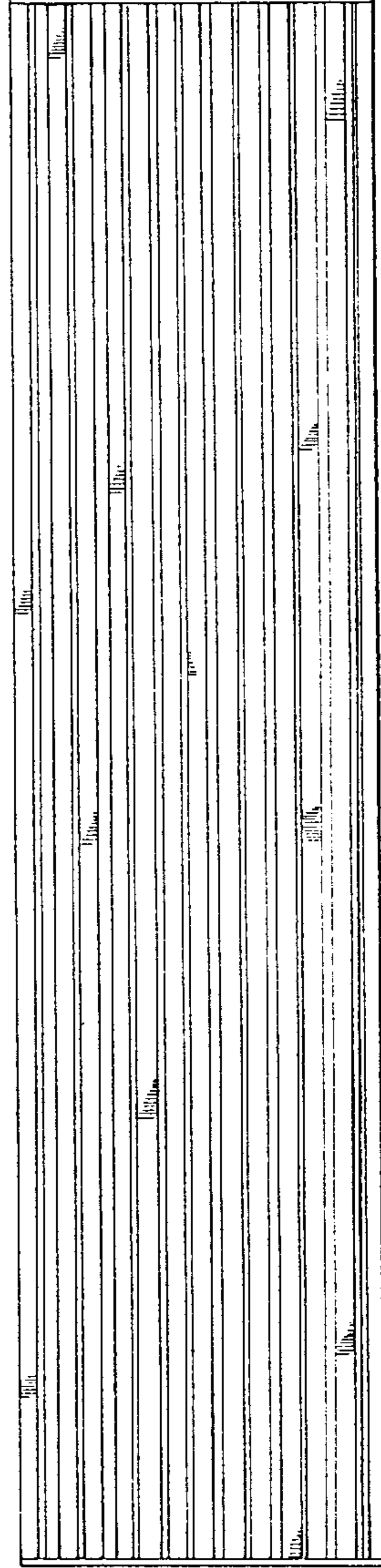


FIG. 6

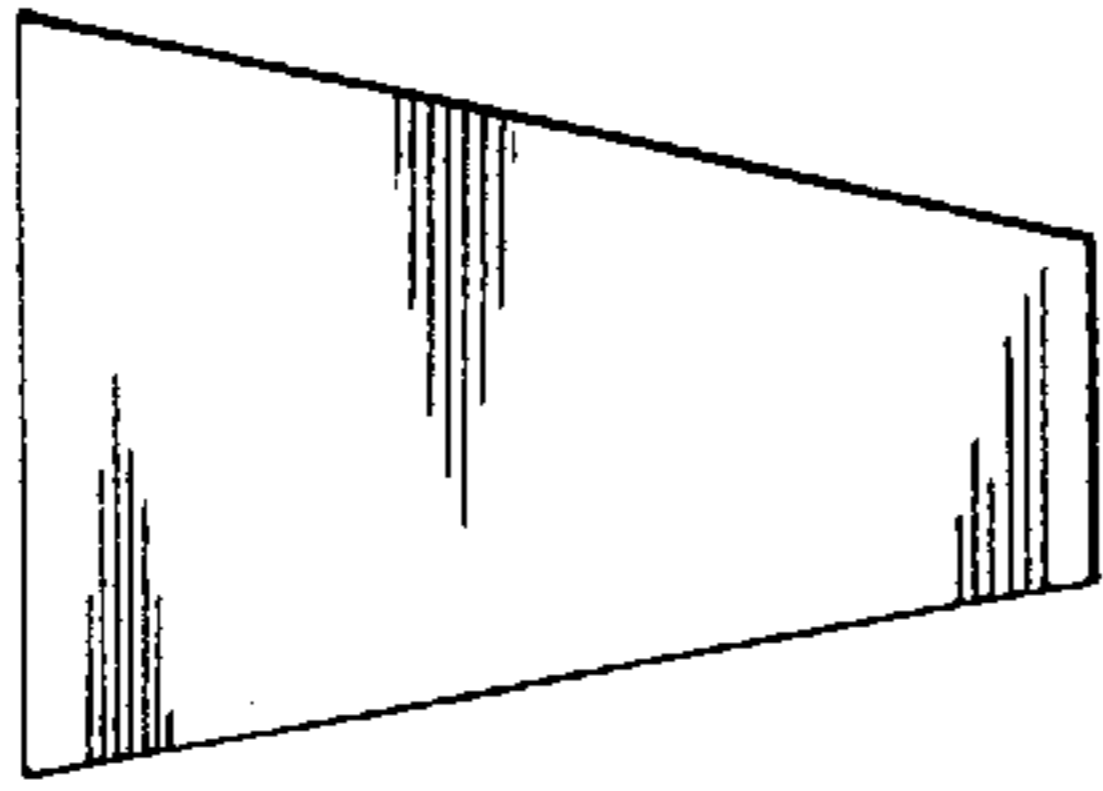


FIG. 4

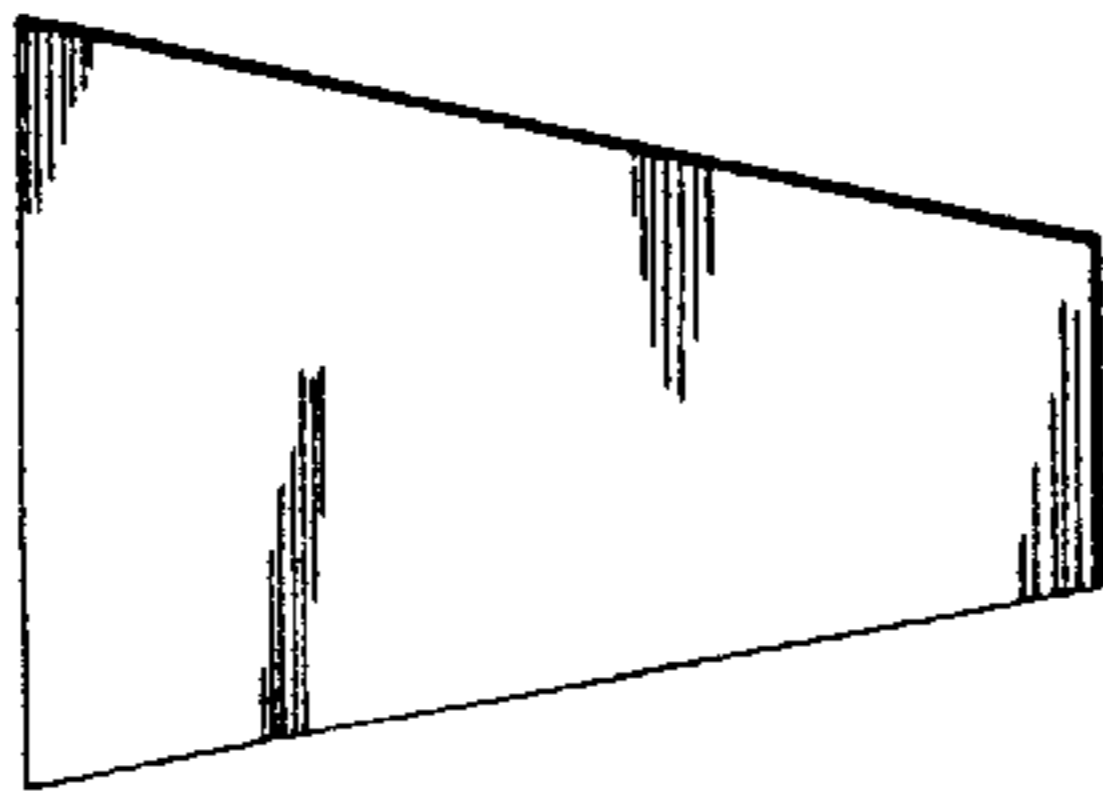


FIG. 2

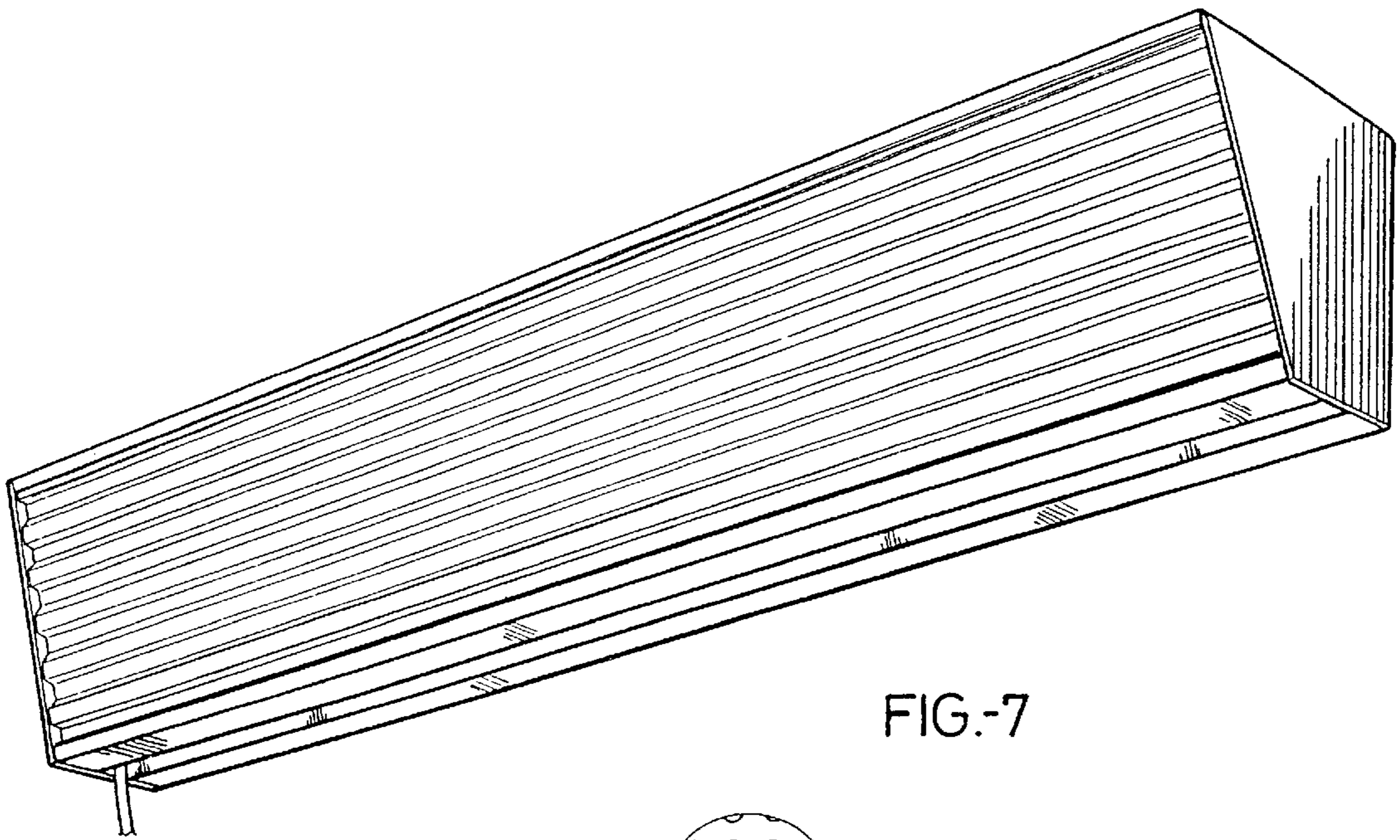


FIG.-7

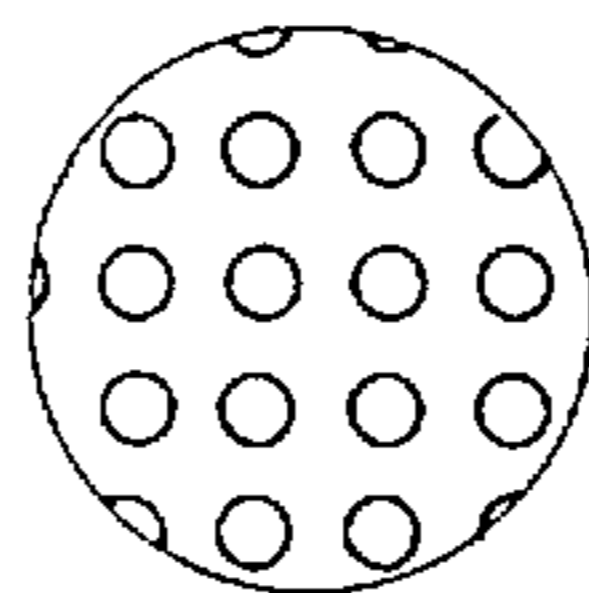


FIG.-8