



US00D421815S

# United States Patent [19]

Herst et al.

[11] **Patent Number: Des. 421,815**

[45] **Date of Patent: \*\* Mar. 21, 2000**

[54] **WALL WASH LUMINAIRE**

D. 377,993 2/1997 Herst et al. .  
5,530,628 6/1996 Ngai ..... 362/347 X

[75] Inventors: **Douglas J. Herst**, Oakland; **Utkan Salman**, Ross, both of Calif.

### OTHER PUBLICATIONS

Peerless Lighting Corporation, Catalog Sheet, 1995.

[73] Assignee: **Peerless Lighting Corporation**, Berkeley, Calif.

*Primary Examiner*—Susan J. Lucas  
*Attorney, Agent, or Firm*—Donald L. Beeson

[\*\*] Term: **14 Years**

### [57] CLAIM

[21] Appl. No.: **29/057,649**

The ornamental design for a wall wash luminaire, as shown and described.

[22] Filed: **Jul. 29, 1996**

### DESCRIPTION

[51] **LOC (6) Cl.** ..... **26-05**

[52] **U.S. Cl.** ..... **D26/76**

[58] **Field of Search** ..... D26/75-79, 72;  
362/147, 217, 222, 223, 225, 292, 341,  
346, 347, 224

FIG. 1 is a broken away bottom perspective view of a wall mounted luminaire showing our new design;  
FIG. 2 is a broken away front elevational view thereof;  
FIG. 3 is a broken away rear elevational view thereof;  
FIG. 4 is a broken away bottom plan view thereof;  
FIG. 5 is a broken away top plan view thereof;  
FIG. 6 is an end elevational view thereof; and,  
FIG. 7 is a cross-sectional view thereof taken along line 7-7 of FIG. 5.

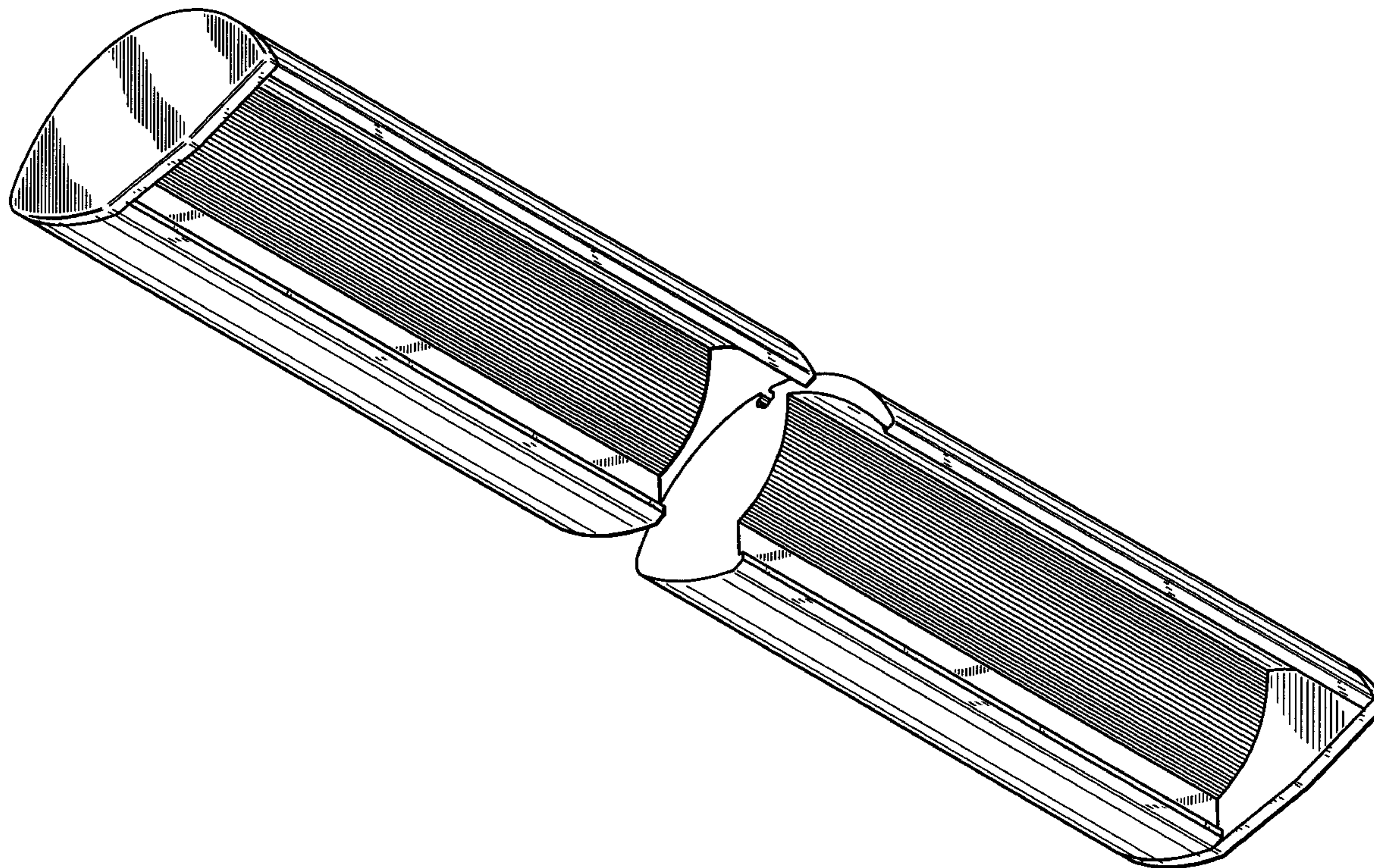
FIGS. 1-5 are broken away to show indeterminate length.

### [56] References Cited

#### U.S. PATENT DOCUMENTS

- D. 119,794 4/1940 Robinson et al. .... D26/76
- D. 149,026 3/1948 Schwartz et al. .... D26/76
- D. 311,596 10/1990 Herst et al. .
- D. 311,967 11/1990 Herst et al. .

**1 Claim, 3 Drawing Sheets**





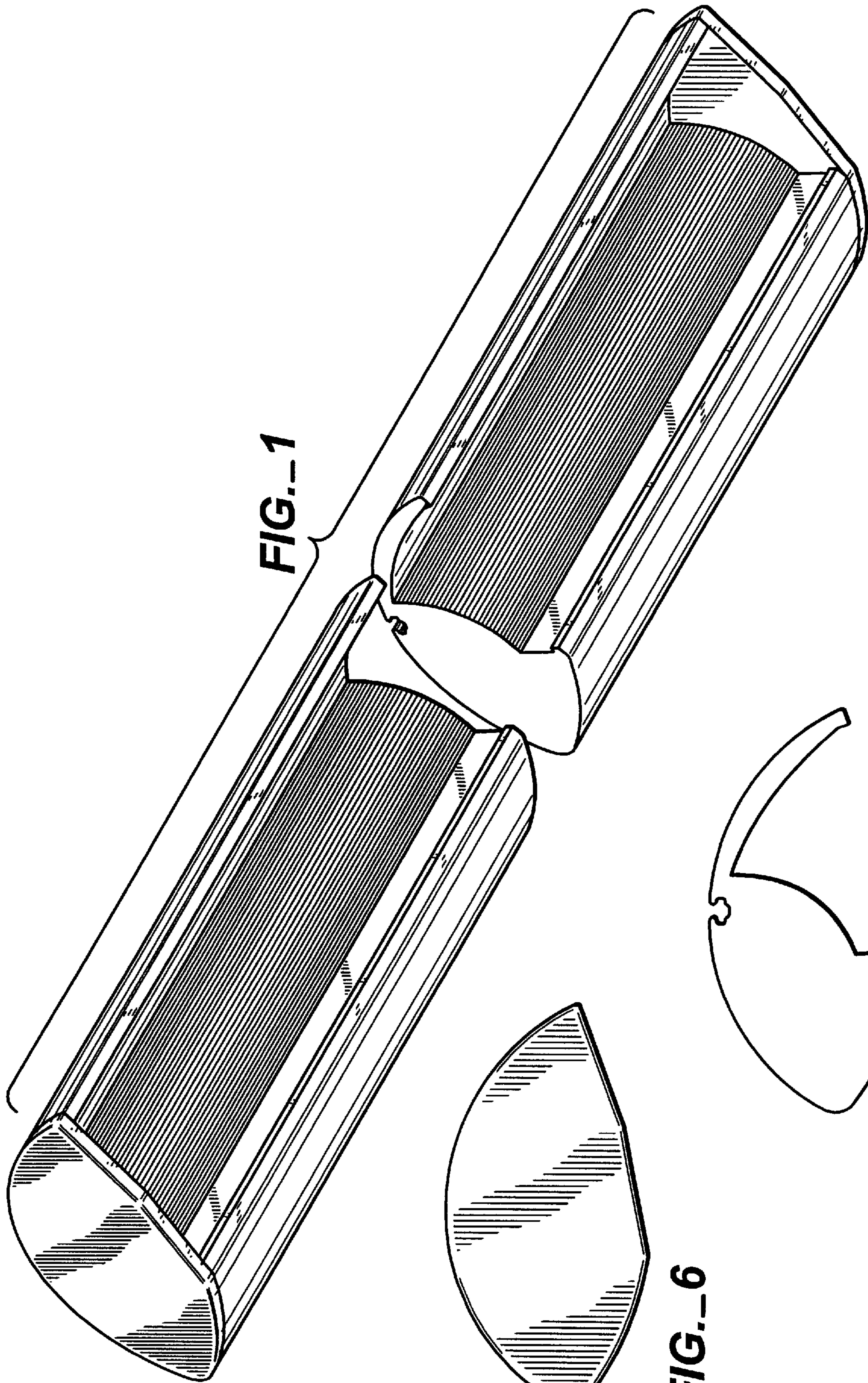


FIG.--1

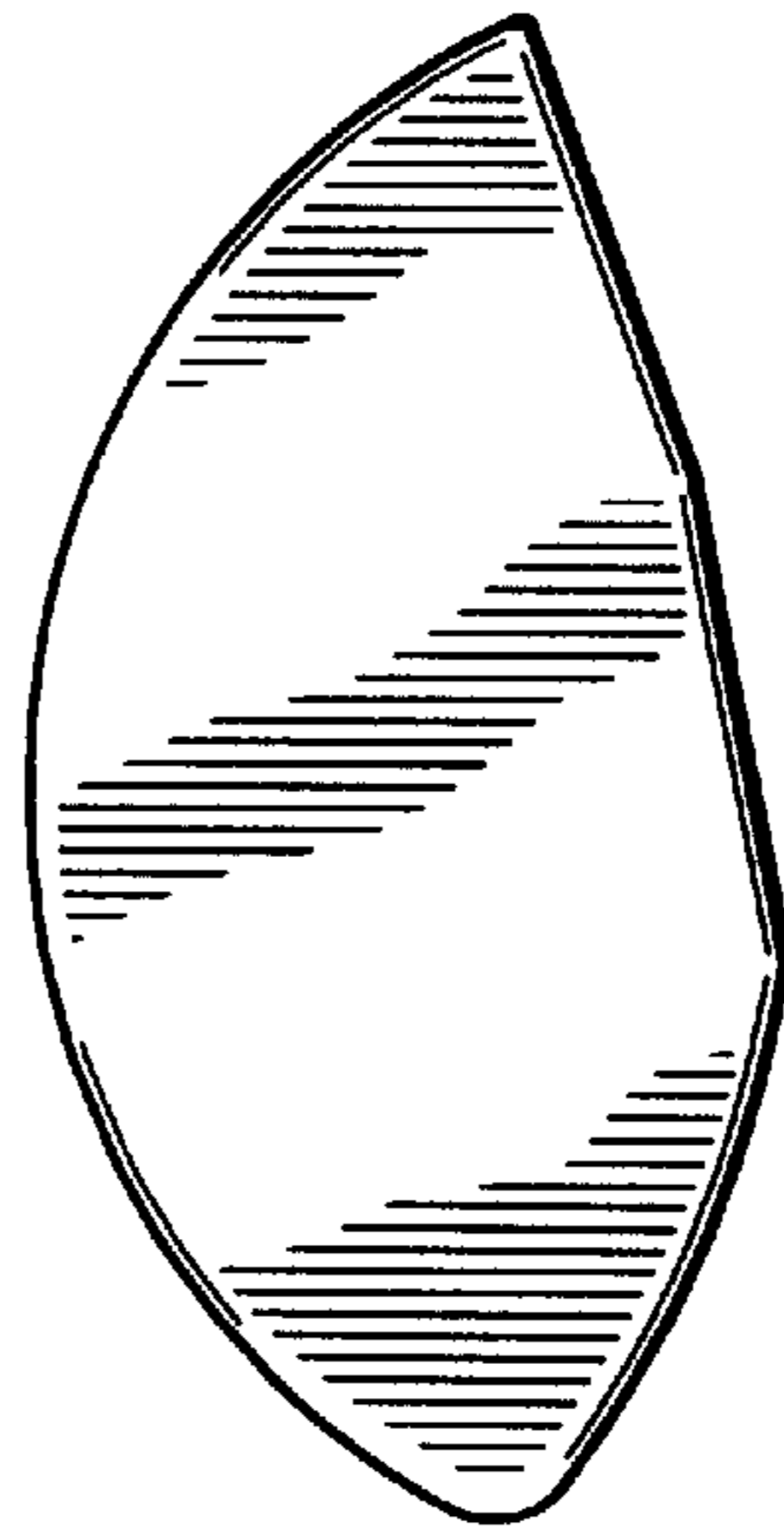


FIG.--6

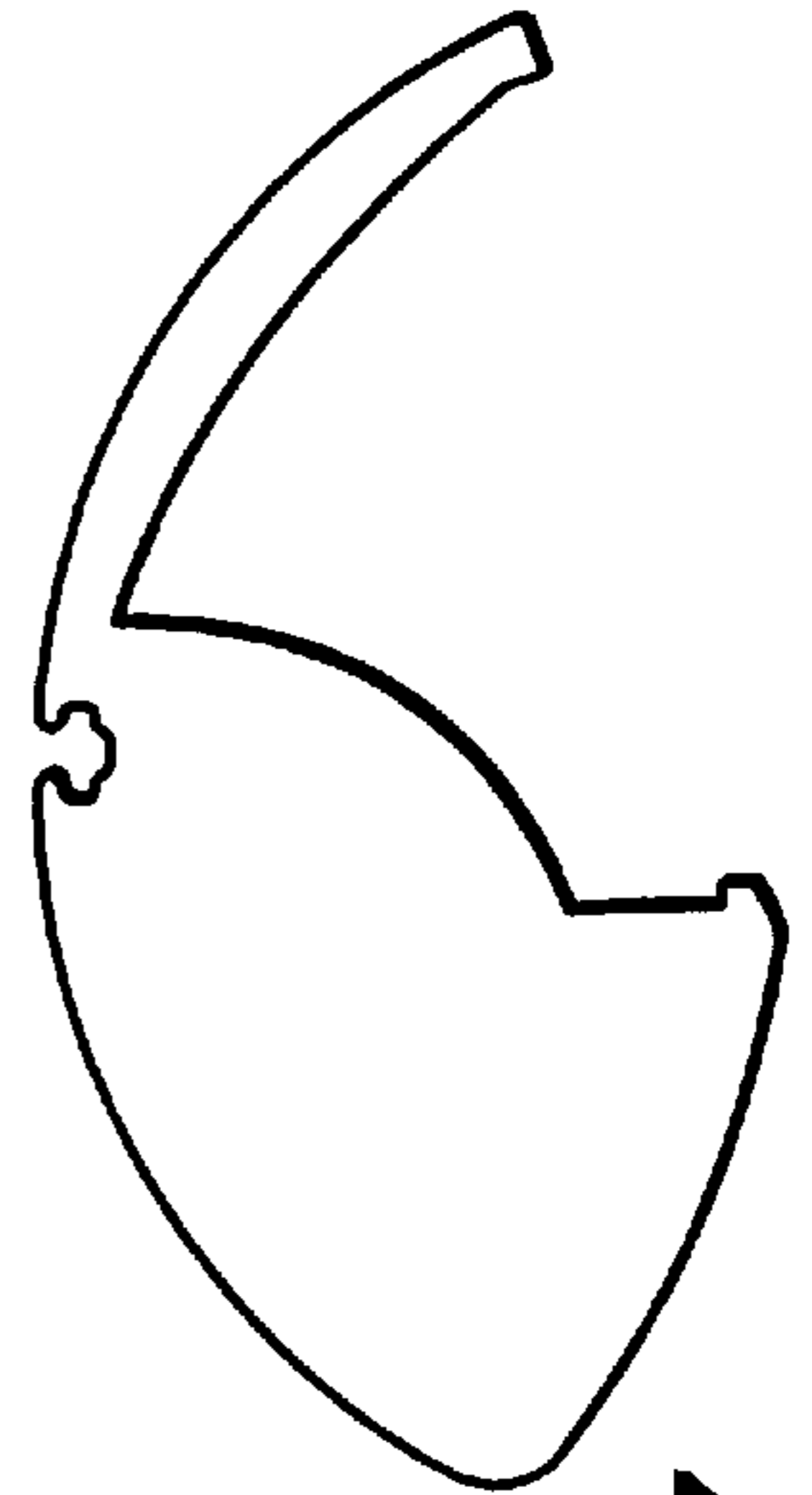
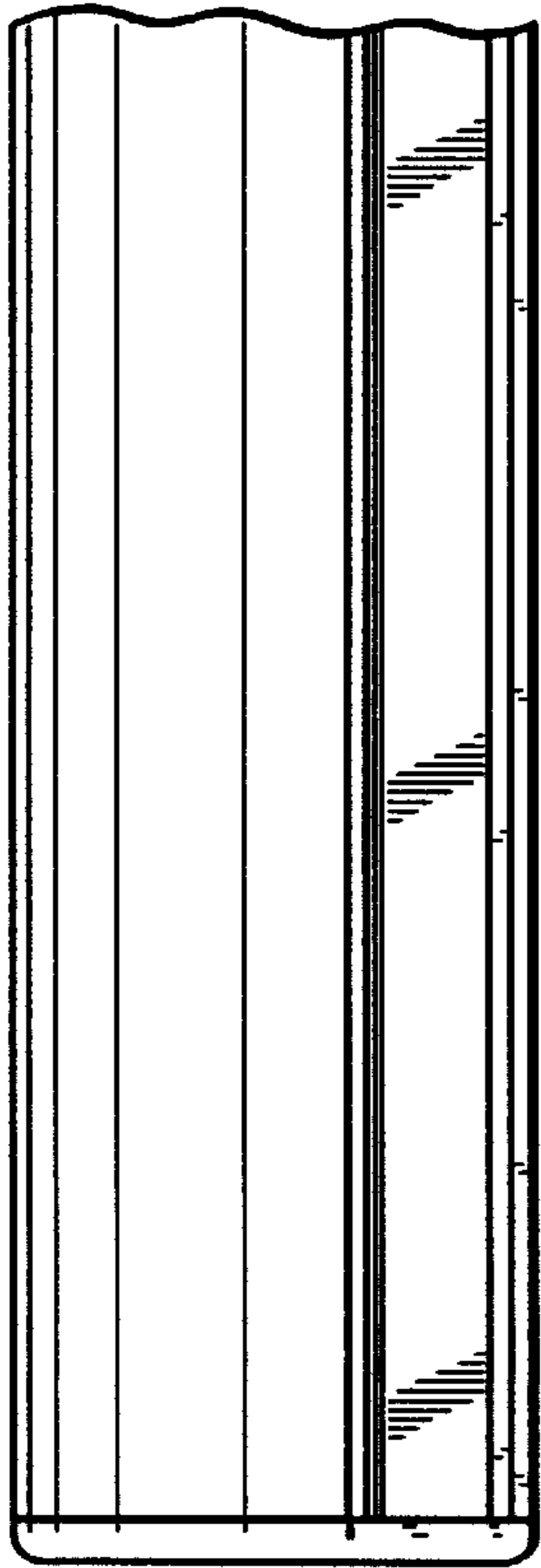
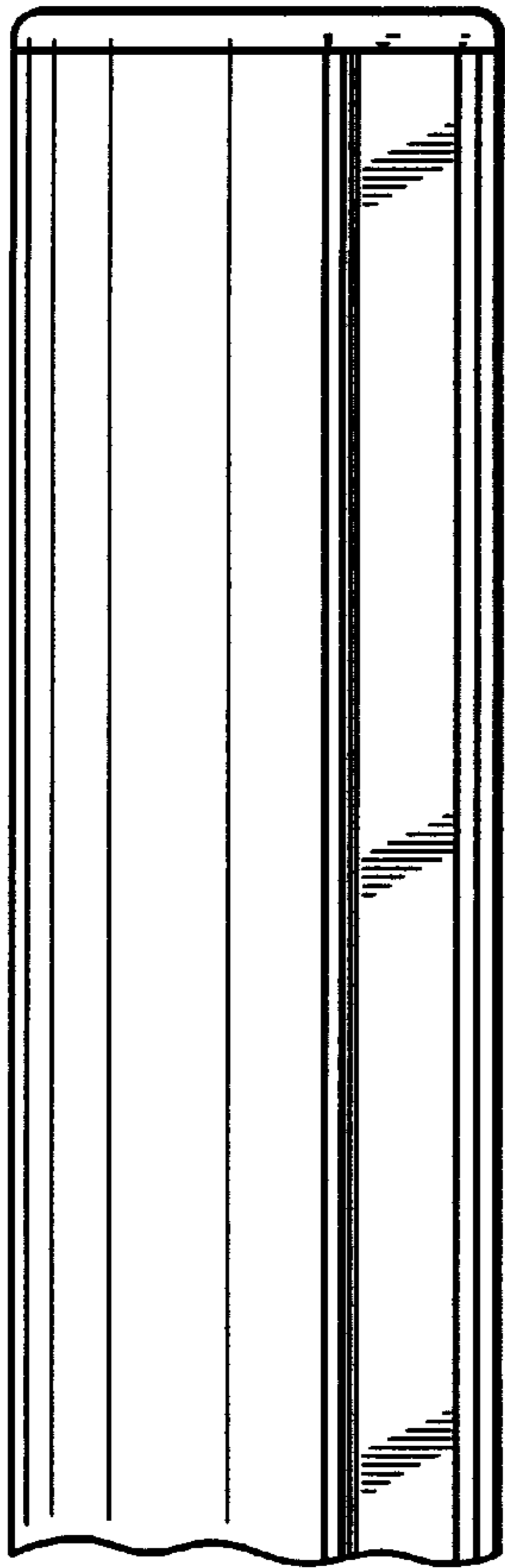
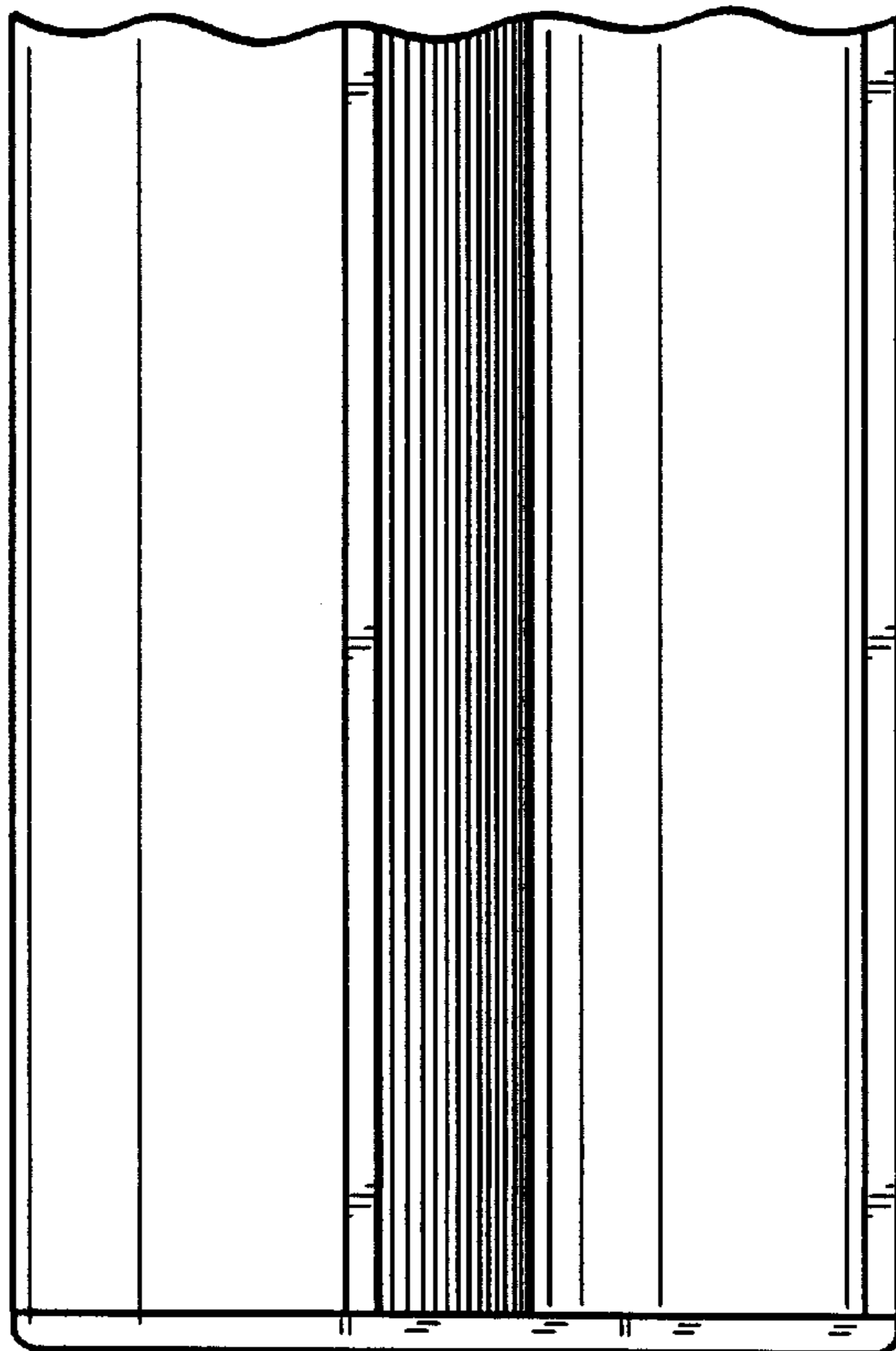
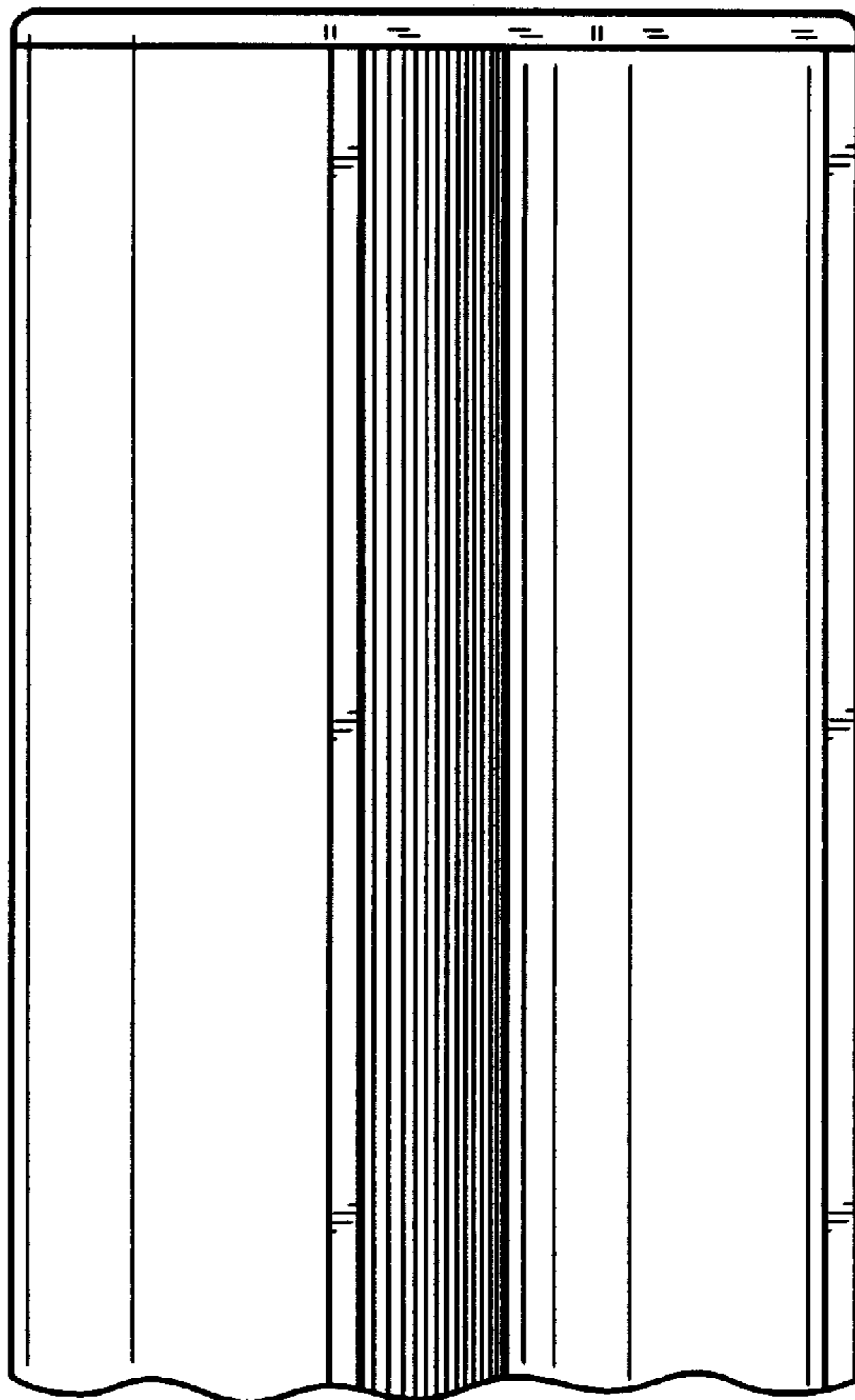


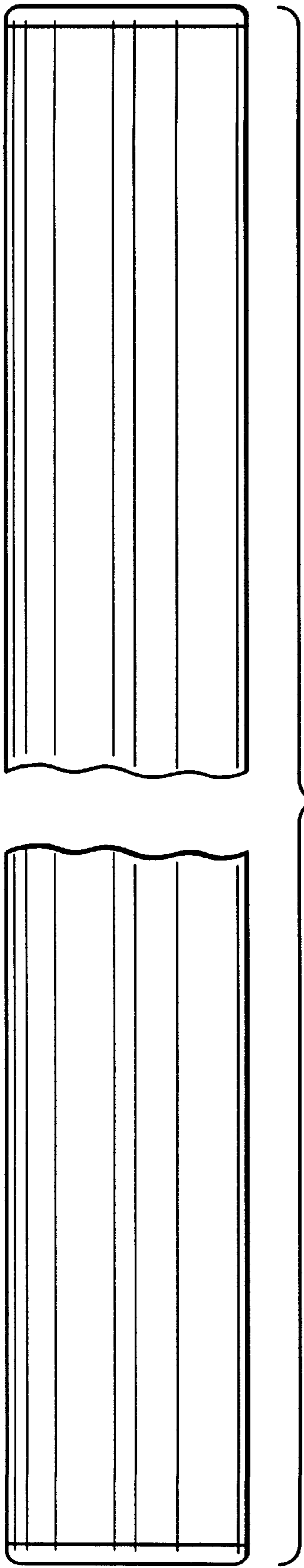
FIG.--7



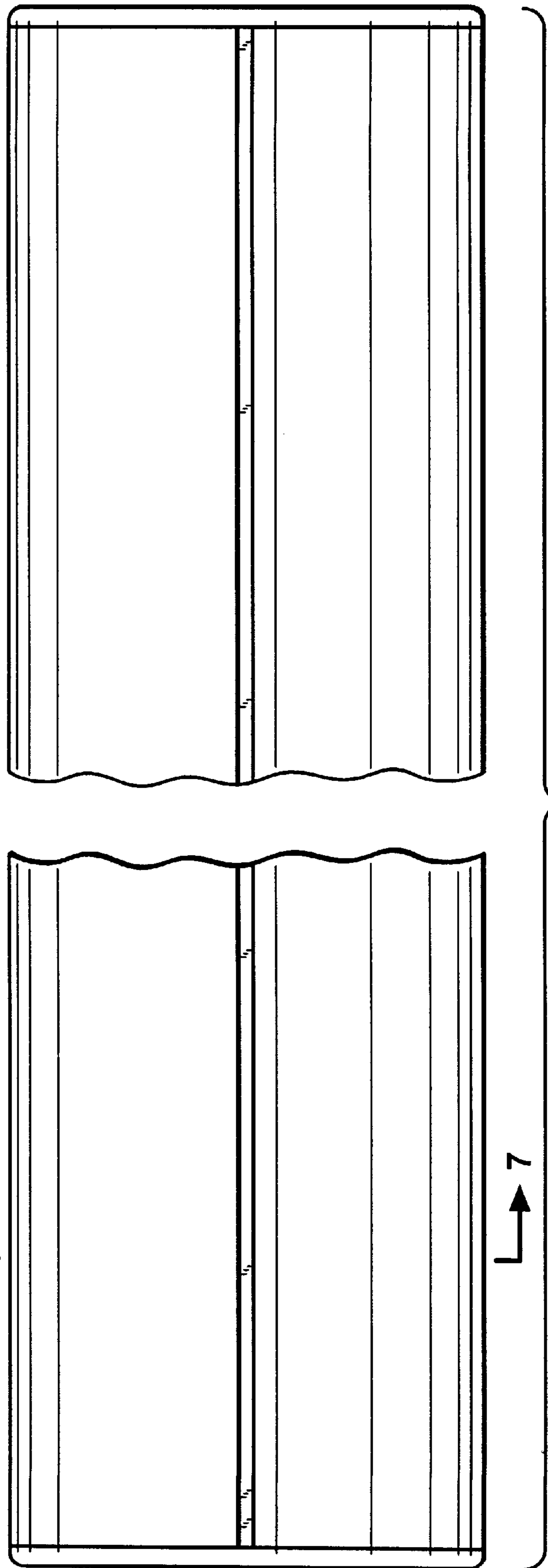
**FIG. 2**



**FIG. 4**



**FIG. 3**



**FIG. 5**

