



US00D421814S

United States Patent [19]

Meck et al.

[11] Patent Number: **Des. 421,814**

[45] Date of Patent: **** Mar. 21, 2000**

[54] **OUTDOOR LAMP**

[75] Inventors: **Leslie A. Meck**, Fleetwood; **Rockwood T. Roberts, III**, Shillington, both of Pa.

[73] Assignee: **Baldwin Hardware Corporation**, Reading, Pa.

[**] Term: **14 Years**

[21] Appl. No.: **29/095,819**

[22] Filed: **Oct. 30, 1998**

[51] **LOC (6) Cl.** **26-05**

[52] **U.S. Cl.** **D26/67**

[58] **Field of Search** D26/72, 85, 88,
D26/89, 92, 68-70; 362/147, 431, 432,
363, 367

[56] **References Cited**

U.S. PATENT DOCUMENTS

D. 302,327 7/1989 DeCola D26/67

OTHER PUBLICATIONS

Thomas lighting catalog, p. 99, post lantern, M-5602-12, Dec. 1989.

Homecoming Troy Lighting Lantern Collection, City of Industry, California, pp. 23, 24, 20, 21, 28, 34, 60 Prior to Filing Date.

Progress Lighting, Spartanburg, South Carolina, pp. 188, 161, 168, 184, 186, 196, 198 Prior to Filing Date.

American Lantern Company, Newport, Arkansas, pp. 48, 22, 45, 47, 43, 61, 62 Prior to Filing Date.

Sea Gull Lighting Products, Inc., Riverside, New Jersey, pp. 14, 20, 21, 17, 23, 1993.

Hinkley Lighting, Inc., Cleveland, Ohio, pp. 88, 94, 1990.

Dinico Products, Inc., Hackensack, New Jersey, pp. 31, 47 Prior to Filing Date.

Primary Examiner—Susan J. Lucas

Attorney, Agent, or Firm—Myron B. Kapustij; Lloyd D. Doigan

[57] **CLAIM**

The ornamental design for an outdoor lamp, as shown and described.

DESCRIPTION

FIG. 1 is a front perspective view of an outdoor lamp showing our new design;

FIG. 2 is a front elevational view thereof;

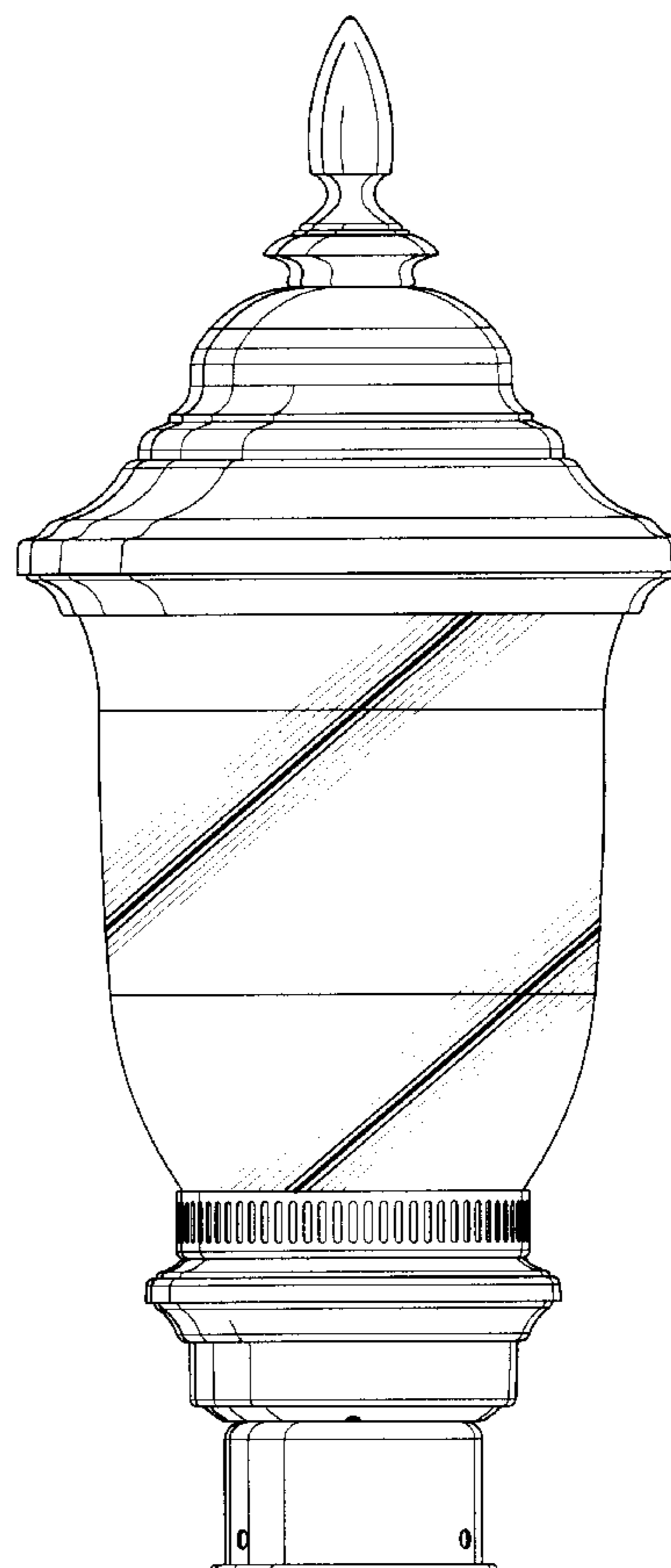
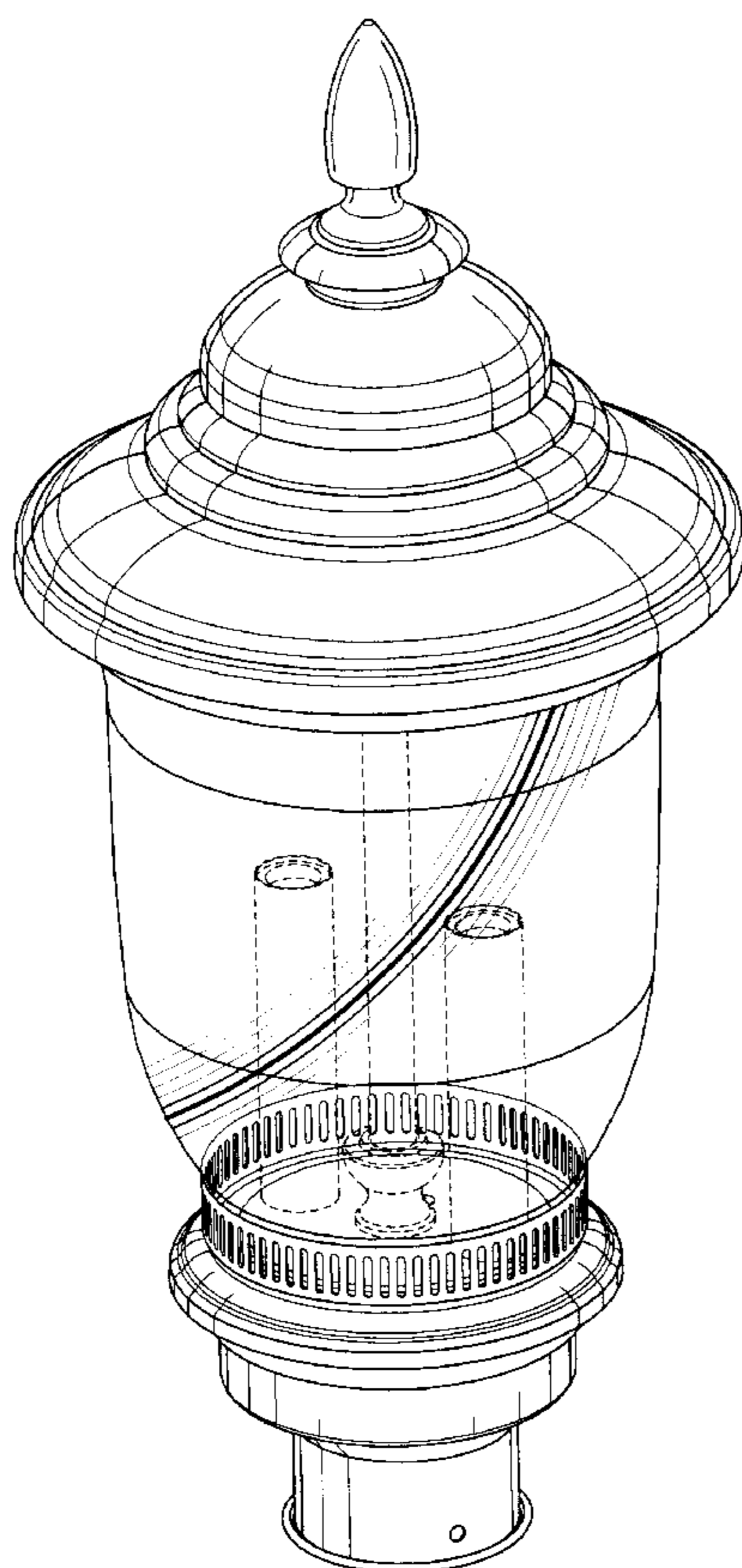
FIG. 3 is a side elevational view thereof;

FIG. 4 is a top plan view thereof; and,

FIG. 5 is a bottom plan view thereof.

The broken line showing of the light bulb sockets in FIG. 1 are for purposes of illustration only and form no part of the claimed design.

1 Claim, 2 Drawing Sheets



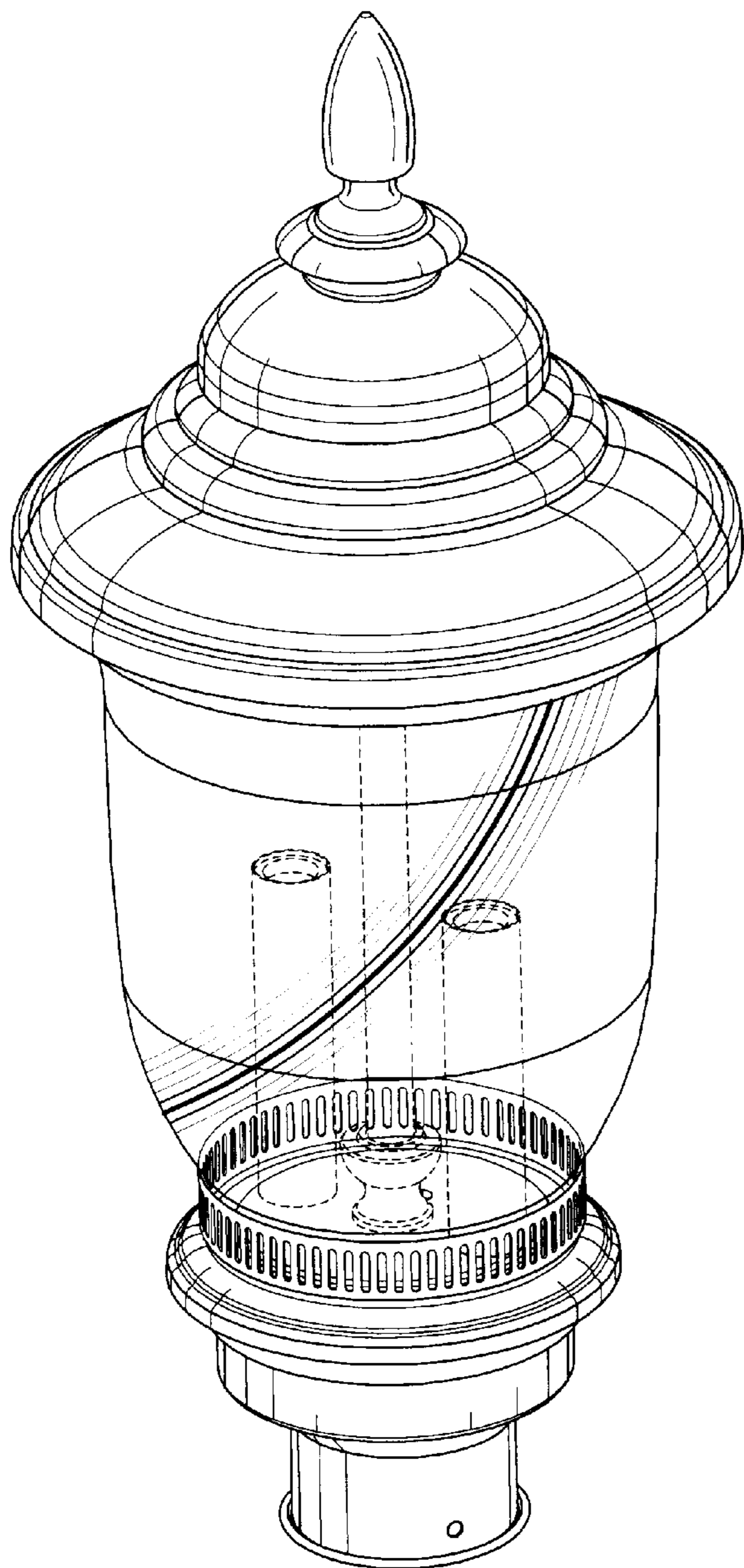


Fig-1

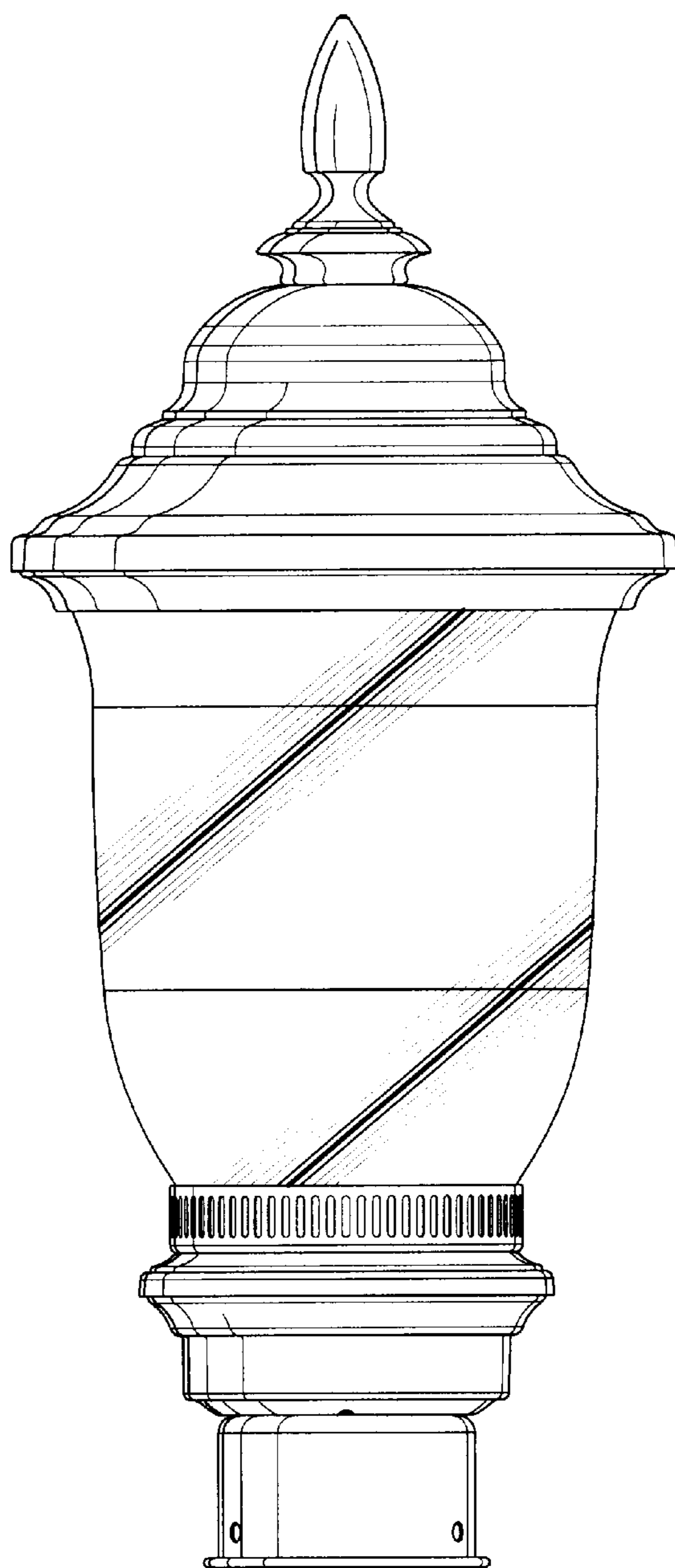


Fig-2

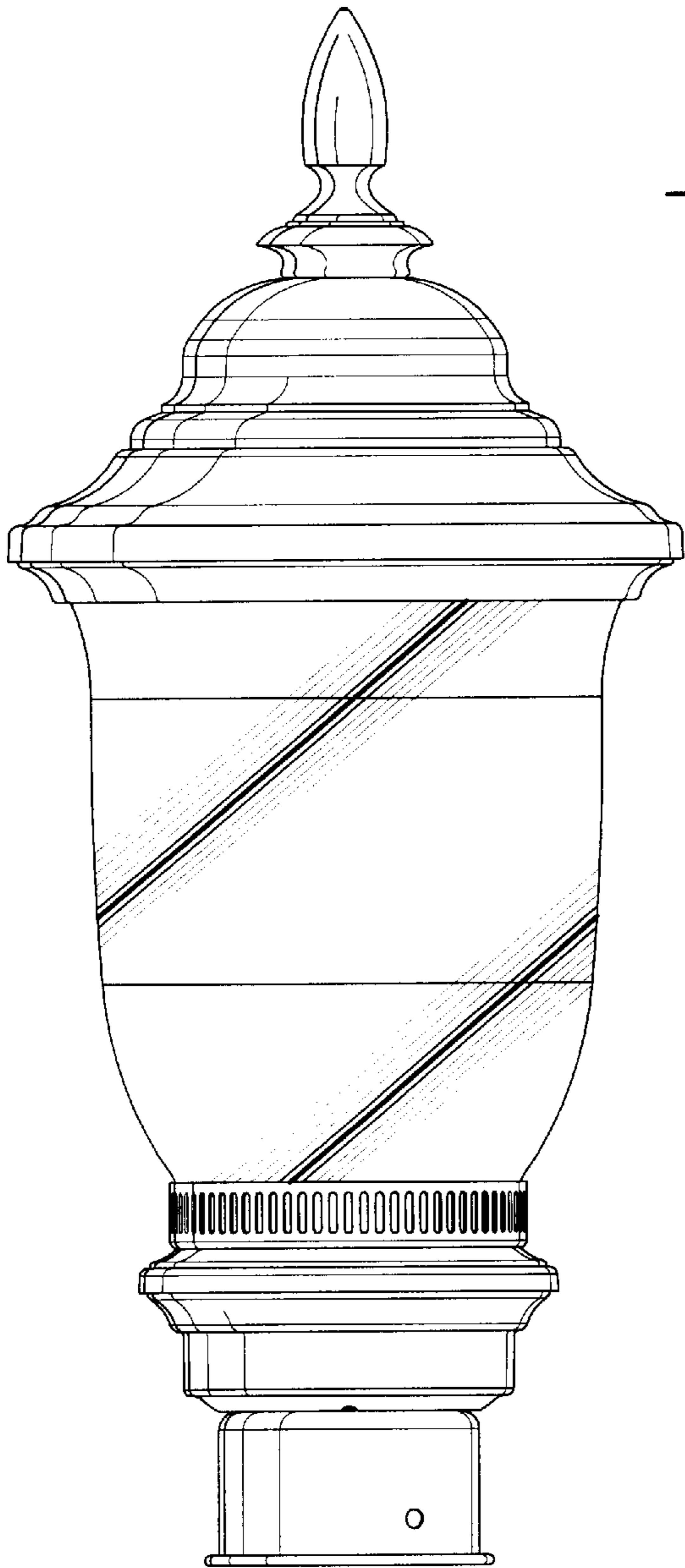


Fig-3

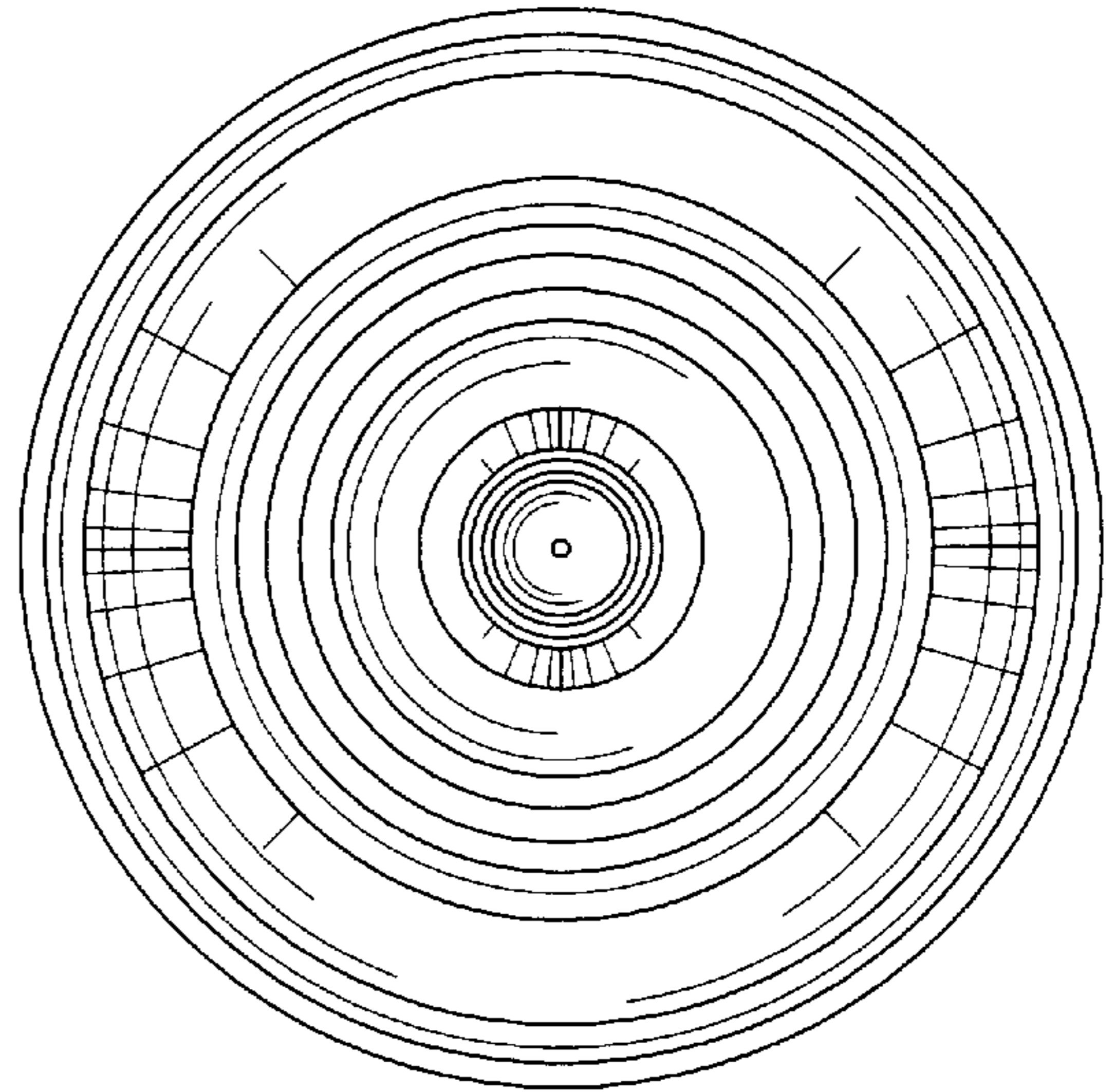


Fig-4

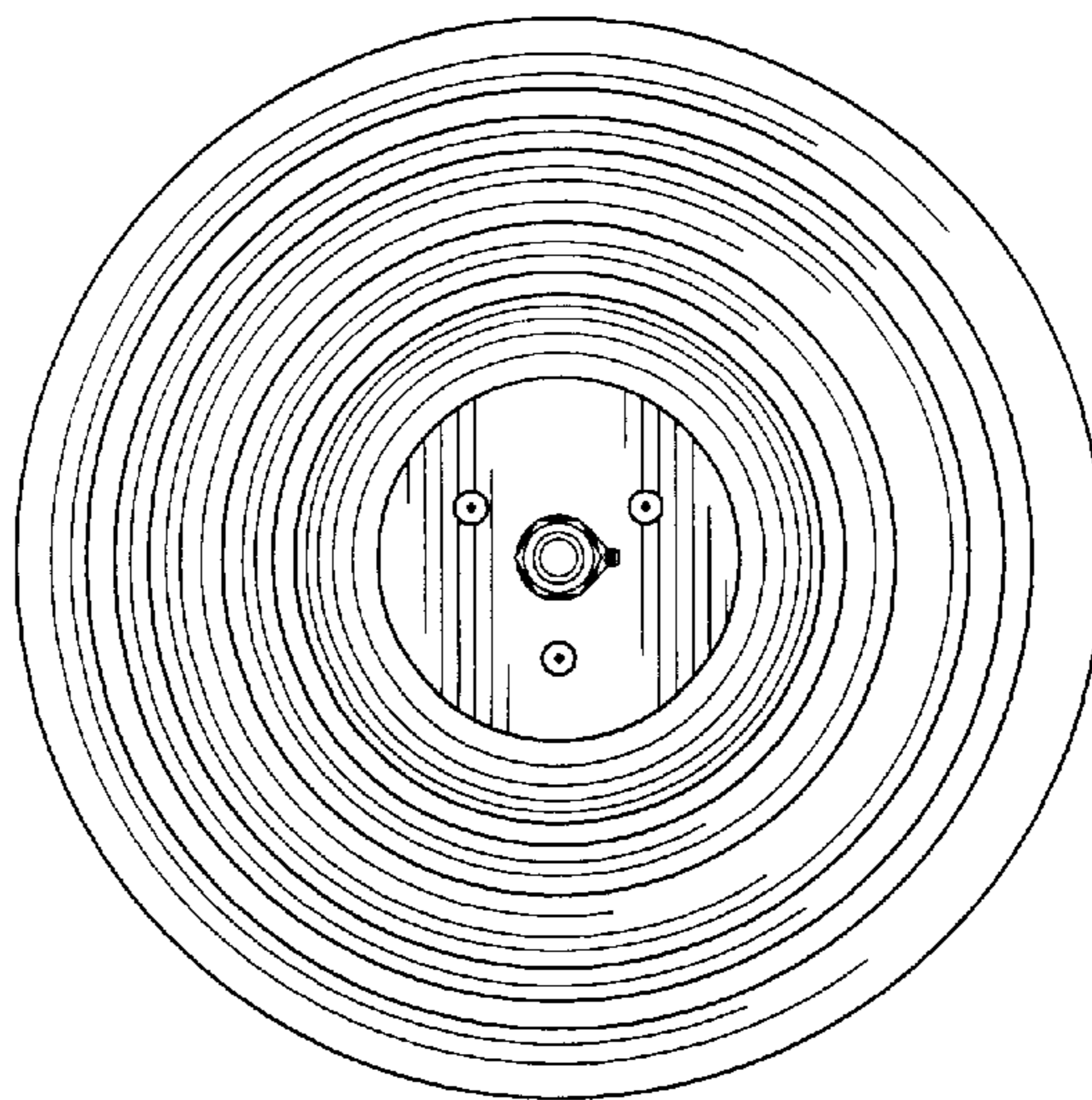


Fig-5